



US00D720613S

(12) **United States Design Patent**  
**Dziaba et al.**

(10) **Patent No.:** **US D720,613 S**  
(45) **Date of Patent:** **\*\* Jan. 6, 2015**

(54) **CONTAINER**

(71) Applicants: **Michele M. Dziaba**, Mundelein, IL  
(US); **Brant P. Wheaton**, Chicago, IL  
(US); **Andrew Thomas Tilton**, Chicago,  
IL (US)

(72) Inventors: **Michele M. Dziaba**, Mundelein, IL  
(US); **Brant P. Wheaton**, Chicago, IL  
(US); **Andrew Thomas Tilton**, Chicago,  
IL (US)

(73) Assignee: **Kraft Foods Group Brands LLC**,  
Northfield, IL (US)

(\*\*) Term: **14 Years**

(21) Appl. No.: **29/466,521**

(22) Filed: **Sep. 9, 2013**

(51) **LOC (10) Cl.** ..... **09-03**

(52) **U.S. Cl.**  
USPC ..... **D9/424**

(58) **Field of Classification Search**  
CPC ..... B65D 2543/00034; B65D 2543/00069;  
B65D 2543/00083; B65D 2543/00092; B65D  
2543/00049; B65D 2543/00099; B65D  
2543/00074; B65D 2543/00148; B65D  
2543/00174; B65D 2543/00296; B65D  
2543/00231; B65D 2543/00537; B65D  
2543/00555; B65D 2543/00685; B65D  
2543/00759; B65D 2543/00796; B65D 43/02;  
B65D 43/0212; B65D 43/0222; B65D  
43/1252; B65D 43/0256; B65D 43/0293;  
B65D 2517/5078; B65D 2517/5083; B65D  
1/10; B65D 1/16; B65D 2101/003; B65D  
15/08; B65D 2251/023  
USPC ..... D9/414, 416, 424, 425, 428, 429, 434,  
D9/435, 452, 454, 456, 500, 502, 503;  
D7/397, 538, 601, 602, 641, 629, 900;  
220/62.13, 214, 215, 240, 260, 265,  
220/266, 270, 675, 796, DIG. 12

See application file for complete search history.

(56) **References Cited**

U.S. PATENT DOCUMENTS

1,587,167 A 6/1926 Marsden  
1,717,974 A 6/1929 Heinrichs

(Continued)

FOREIGN PATENT DOCUMENTS

CA 2280153 8/1998  
CA 2444041 10/2002

(Continued)

*Primary Examiner* — Derrick Holland

*Assistant Examiner* — Lauren Calve

(74) *Attorney, Agent, or Firm* — Fitch, Even, Tabin &  
Flannery LLP

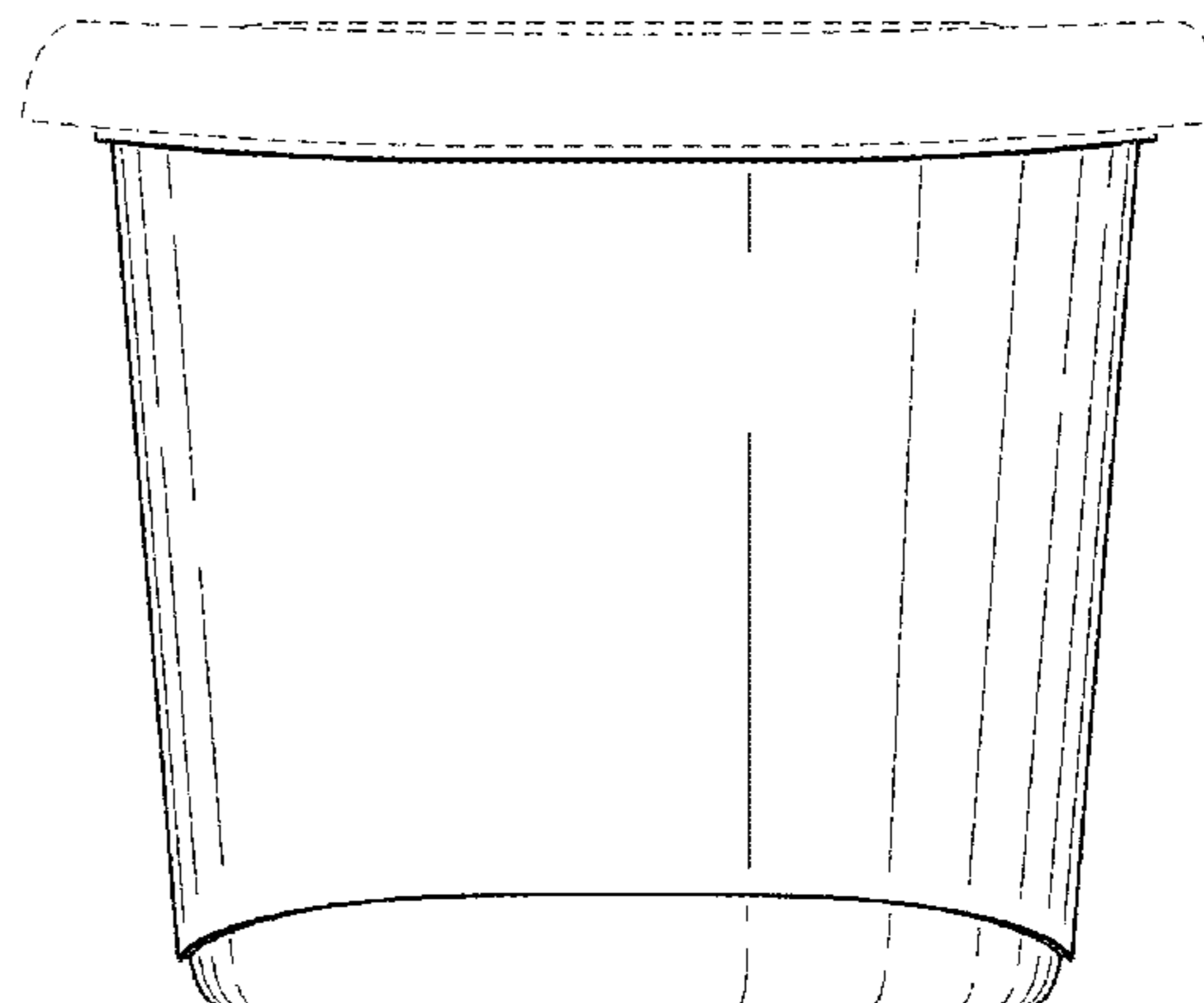
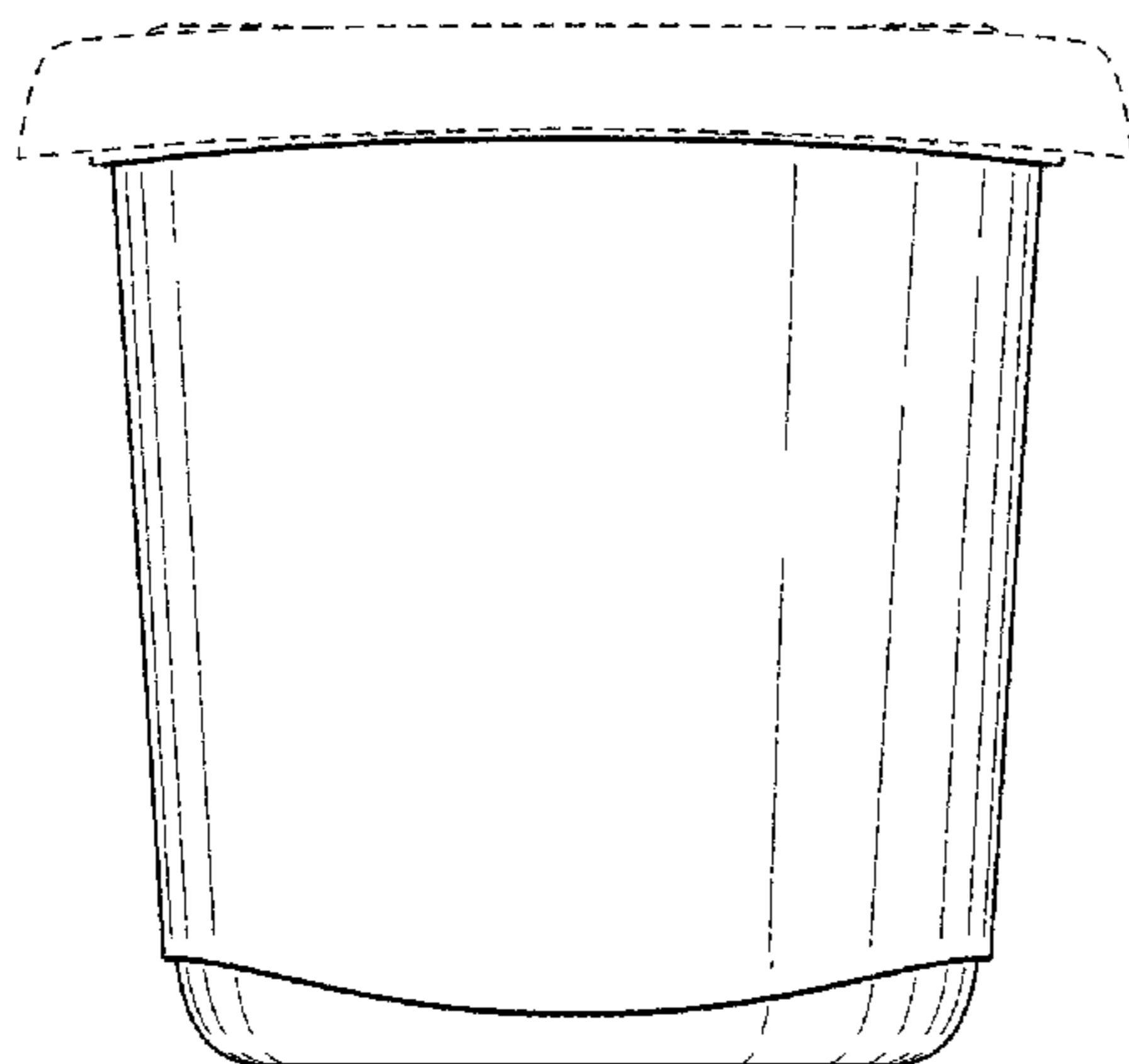
(57) **CLAIM**

The ornamental design for a container, as shown and  
described.

**DESCRIPTION**

FIG. 1 is a perspective view of a first embodiment of a con-  
tainer showing our new design;  
FIG. 2 is a top plan view of the container of FIG. 1;  
FIG. 3 is a bottom plan view of the container of FIG. 1;  
FIG. 4 is a front elevation view of the container of FIG. 1, the  
rear elevation view being identical thereto;  
FIG. 5 is a right side elevation view of the container of FIG. 1;  
the left side elevation view being identical thereto;  
FIG. 6 is a perspective view of a second embodiment of a  
container showing our new design, the top plan view and  
bottom plan view thereof shown in FIG. 2 and 3 respectively;  
FIG. 7 is a front elevation view of the container of FIG. 6, the  
rear elevation view being identical thereto;  
FIG. 8 is a right side elevation view of the container of FIG. 6,  
the left side elevation view being identical thereto;  
FIG. 9 is a perspective view of a third embodiment of a  
container showing our new design, the top plan view and  
bottom plan view thereof shown in FIG. 2 and 3 respectively;  
FIG. 10 is a front elevation view of the container of FIG. 9, the  
rear elevation view being identical thereto; and,  
FIG. 11 is a right side elevation view of the container of FIG.  
9, the left side elevation view being identical thereto.  
The broken lines shown represent unclaimed subject matter  
and form no part of the claimed subject matter.

**1 Claim, 7 Drawing Sheets**



(56)

References Cited

U.S. PATENT DOCUMENTS

2,614,727	A	10/1952	Robinson	D496,272	S	9/2004	Jackson	
2,695,115	A	11/1954	Roop	D502,394	S	3/2005	Jackson	
2,780,259	A	2/1957	Nalle	6,910,599	B2	6/2005	Tucker	
3,070,257	A	12/1962	Bojanowski	7,017,775	B2	3/2006	Zettle	
3,301,459	A *	1/1967	Gardner ..... 220/266	D521,380	S	5/2006	Jackson	
3,338,468	A	8/1967	Wilson	D529,797	S	10/2006	Wilcox	
3,362,569	A *	1/1968	Geiger ..... 220/268	D533,452	S	12/2006	Vogel	
3,409,123	A	11/1968	McCormick	D538,642	S	3/2007	Bouveret	
3,421,654	A	1/1969	Hexel	D540,039	S	4/2007	vanBeuningen	
3,430,803	A	3/1969	Nelson	7,207,457	B2	4/2007	Schwarz	
3,448,888	A	6/1969	Smith	D541,648	S	5/2007	Bennett	
3,589,552	A	6/1971	Fitzgerald	D544,790	S	6/2007	Bouveret	
3,651,981	A	3/1972	Kinney	D547,115	S	7/2007	Bouveret	
3,670,922	A	6/1972	Phillips	D547,179	S	7/2007	Bouveret	
3,759,437	A	9/1973	Amberg	D548,588	S	8/2007	Bouveret	
3,777,968	A *	12/1973	Law ..... 229/404	7,261,219	B2	8/2007	Tucker	
3,903,676	A	9/1975	Kinney	D563,157	S	3/2008	Bouveret	
3,904,063	A	9/1975	Hauser	D564,287	S	3/2008	Bouveret	
D238,137	S	12/1975	Swett	D568,693	S	5/2008	Furlong	
3,967,731	A	7/1976	Boduch	D568,694	S	5/2008	Furlong	
3,989,142	A	11/1976	Gwilliam	D571,200	S	6/2008	Bouveret	
4,061,241	A	12/1977	Retelny	D575,994	S	9/2008	Faulon	
4,082,184	A	4/1978	Hammer	D584,145	S	1/2009	Young	
4,111,303	A	9/1978	Compton	D585,699	S	2/2009	Furlong	
4,113,095	A	9/1978	Dietz	D586,179	S	2/2009	Furlong	
4,124,120	A	11/1978	Day	D591,591	S	5/2009	Moecks	
D250,929	S	1/1979	Gerstman	D594,328	S	6/2009	Shapiro	
4,234,100	A	11/1980	Chabot	D595,128	S	6/2009	Bouveret	
4,286,713	A	9/1981	Marchais	D606,368	S	12/2009	Wu	
4,341,324	A	7/1982	Ramirez	D607,315	S	1/2010	George	
4,401,225	A	8/1983	Schwaikert	D610,903	S	3/2010	Shapiro	
4,420,093	A	12/1983	VonHoldt	D614,949	S	5/2010	Schmidt	
D274,030	S	5/1984	Daenen	7,726,483	B2	6/2010	Ramanujam	
D276,401	S *	11/1984	Daenen et al. .... D7/602	D630,512	S *	1/2011	Venier ..... D9/456	
4,494,679	A	1/1985	Cleevely	D630,900	S	1/2011	Samartgis	
4,512,493	A	4/1985	VonHoldt	D630,901	S	1/2011	Samartgis	
4,542,029	A	9/1985	Caner	D630,940	S	1/2011	Shapiro	
D285,906	S	9/1986	Tyler	D631,298	S	1/2011	Samartgis	
D286,026	S	10/1986	Rayner	D631,708	S	2/2011	Smyers	
D287,573	S	1/1987	Tyler	D632,559	S *	2/2011	Georgiadis ..... D9/424	
4,645,086	A	2/1987	Rosenthal	D638,700	S	5/2011	Bouveret	
4,747,510	A	5/1988	Mack	D638,701	S	5/2011	Shapiro	
4,787,527	A	11/1988	Monetti	7,938,286	B2	5/2011	Vogel	
4,832,202	A	5/1989	Newman	7,942,286	B2	5/2011	Shiffer	
D321,456	S	11/1991	Wolff	D639,186	S	6/2011	Shapiro	
D330,311	S	10/1992	Narsutis	D639,656	S	6/2011	Shapiro	
D330,312	S *	10/1992	Narsutis ..... D7/629	D640,926	S	7/2011	Turchi	
D336,017	S	6/1993	Smith	D641,628	S *	7/2011	Baughman ..... D9/452	
5,294,015	A	3/1994	Landis	8,006,863	B2	8/2011	Albrecht	
D360,105	S	7/1995	Doxey	D644,888	S	9/2011	Samartgis	
D362,932	S *	10/1995	Brightbill et al. .... D32/37	D645,738	S	9/2011	Shiffer	
D378,039	S	2/1997	Ferris	D646,160	S	10/2011	Shiffer	
D383,671	S	9/1997	Phillips	D646,968	S	10/2011	Ortiz	
D388,325	S	12/1997	Tucker	D647,358	S	10/2011	Smyers	
D389,738	S	1/1998	Hlobil	D647,397	S	10/2011	Inaba	
D390,109	S	2/1998	Tucker	D649,872	S	12/2011	Bouveret	
D398,812	S	9/1998	Laib	D649,873	S	12/2011	Bouveret	
5,839,603	A	11/1998	Smith	D650,660	S	12/2011	Shiffer	
D414,650	S	10/1999	Lillelund	D650,661	S *	12/2011	Shiffer et al. .... D9/428	
D416,797	S	11/1999	Rabe	D650,662	S	12/2011	Shiffer	
D418,056	S	12/1999	Johnson	D650,663	S	12/2011	Shiffer	
D425,416	S *	5/2000	Denham et al. .... D9/416	D652,266	S	1/2012	Smyers	
D429,646	S	8/2000	Goettner	D655,605	S	3/2012	Baughman	
6,170,696	B1	1/2001	Tucker	D656,009	S	3/2012	Ortiz	
D438,794	S	3/2001	Miles	D656,010	S	3/2012	Ortiz	
6,213,301	B1	4/2001	Landis	8,152,018	B2	4/2012	Smith	
6,325,213	B1	12/2001	Landis, II	D661,403	S	6/2012	Connelly	
D459,225	S	6/2002	Baxter	D661,543	S	6/2012	Bouveret	
6,467,647	B1	10/2002	Tucker	8,205,768	B2	6/2012	Shiffer	
D467,800	S *	12/2002	Chen et al. .... D9/429	8,251,242	B2	8/2012	Vovan	
D468,201	S	1/2003	Huber	D666,876	S *	9/2012	Rusnak ..... D7/602	
D469,320	S	1/2003	Pettaweebuncha	D669,313	S *	10/2012	Paladino et al. .... D7/602	
6,651,847	B2	11/2003	Mekata	8,286,823	B2	10/2012	Turvey	
6,672,473	B2	1/2004	Torniainen	8,322,530	B2	12/2012	Furlong	
D489,975	S	5/2004	Jackson	D675,518	S *	2/2013	Wheaton et al. .... D9/424	
				D679,991	S	4/2013	Hudson	
				D682,108	S *	5/2013	Berggren ..... D9/454	
				D684,855	S	6/2013	BeVier	
				D686,072	S	7/2013	Wheaton	

(56)

References Cited

2013/0015096 A1 1/2013 BeVier

U.S. PATENT DOCUMENTS

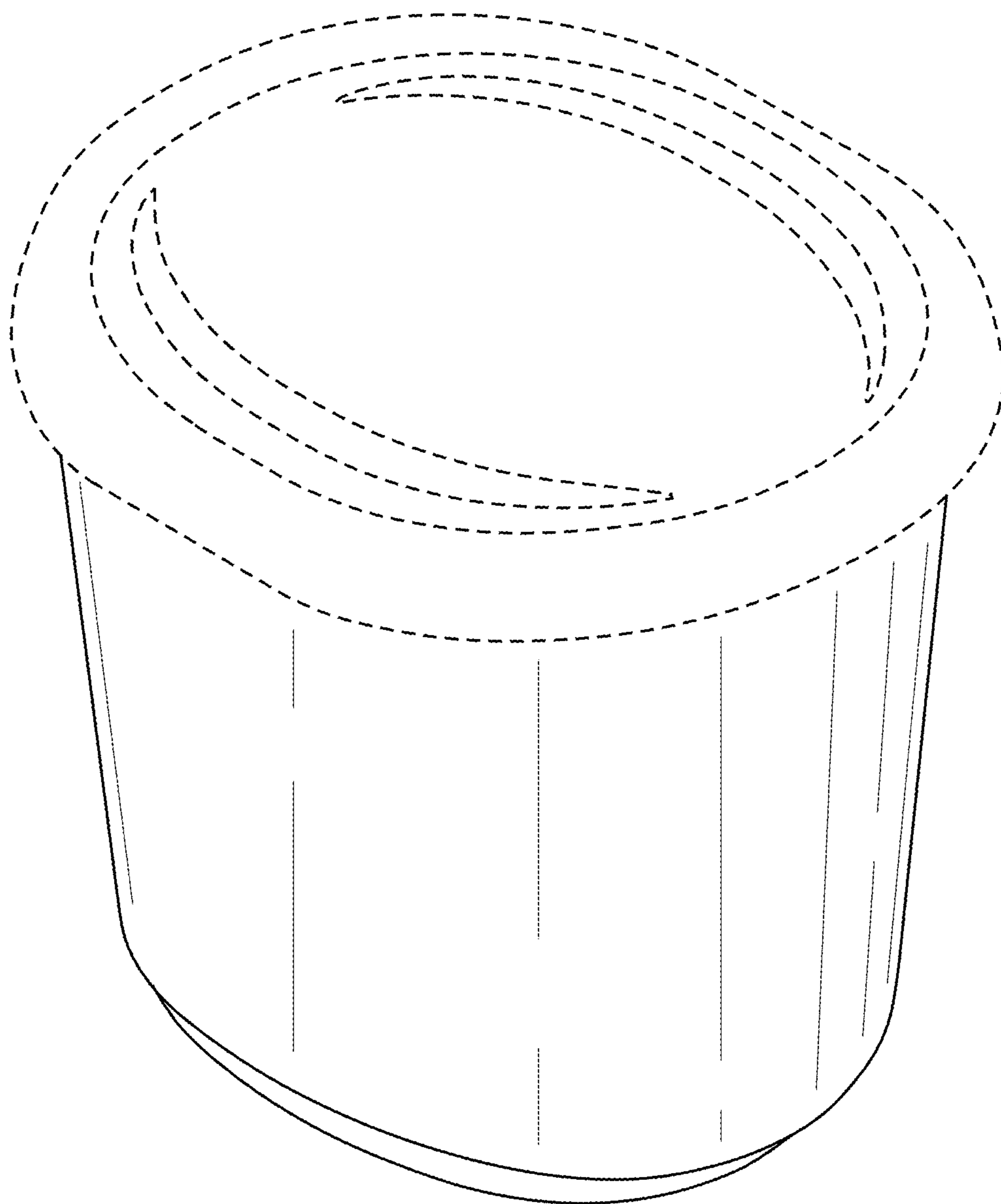
FOREIGN PATENT DOCUMENTS

8,528,770 B2 9/2013 Albrecht  
 2007/0062948 A1\* 3/2007 Albrecht et al. .... 220/266  
 2007/0102438 A1 5/2007 Schwarz  
 2007/0119743 A1 5/2007 Tucker  
 2007/0187277 A1 8/2007 Furlong  
 2008/0035641 A1 2/2008 Foldesi  
 2008/0210686 A1 9/2008 Shapiro  
 2009/0026203 A1 1/2009 Selina  
 2009/0134168 A1 5/2009 Morrissette  
 2009/0287144 A1 11/2009 Malkin  
 2009/0314780 A1 12/2009 Selina  
 2010/0015293 A1 1/2010 Shapiro  
 2010/0108556 A1 5/2010 Claffy  
 2010/0170824 A1 7/2010 Ramanujam  
 2010/0236966 A1 9/2010 Luttik  
 2011/0174658 A1 7/2011 Otsubo  
 2012/0000920 A1 1/2012 Anhalt

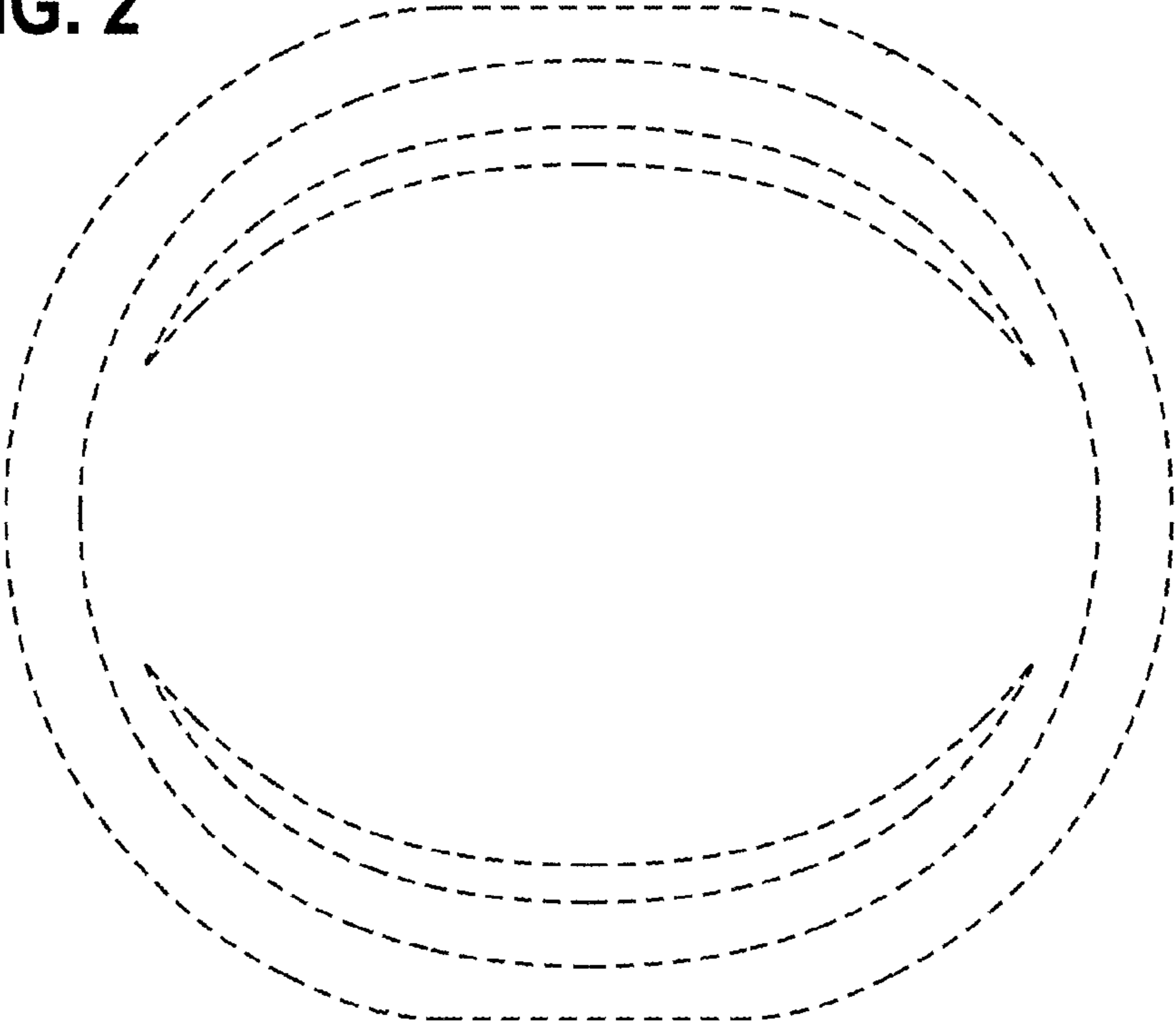
CA	99857	4/2003
CA	112115	4/2006
CA	114247	5/2007
CA	110624	8/2007
CA	132857	6/2010
CA	133386	7/2010
CA	2749269	8/2010
CA	134427	10/2010
CA	134871	11/2010
CA	141686	11/2011
DE	3703875	8/1988
DE	4306982	9/1994
EP	0628490	12/1992
EP	0575394	12/1993

\* cited by examiner

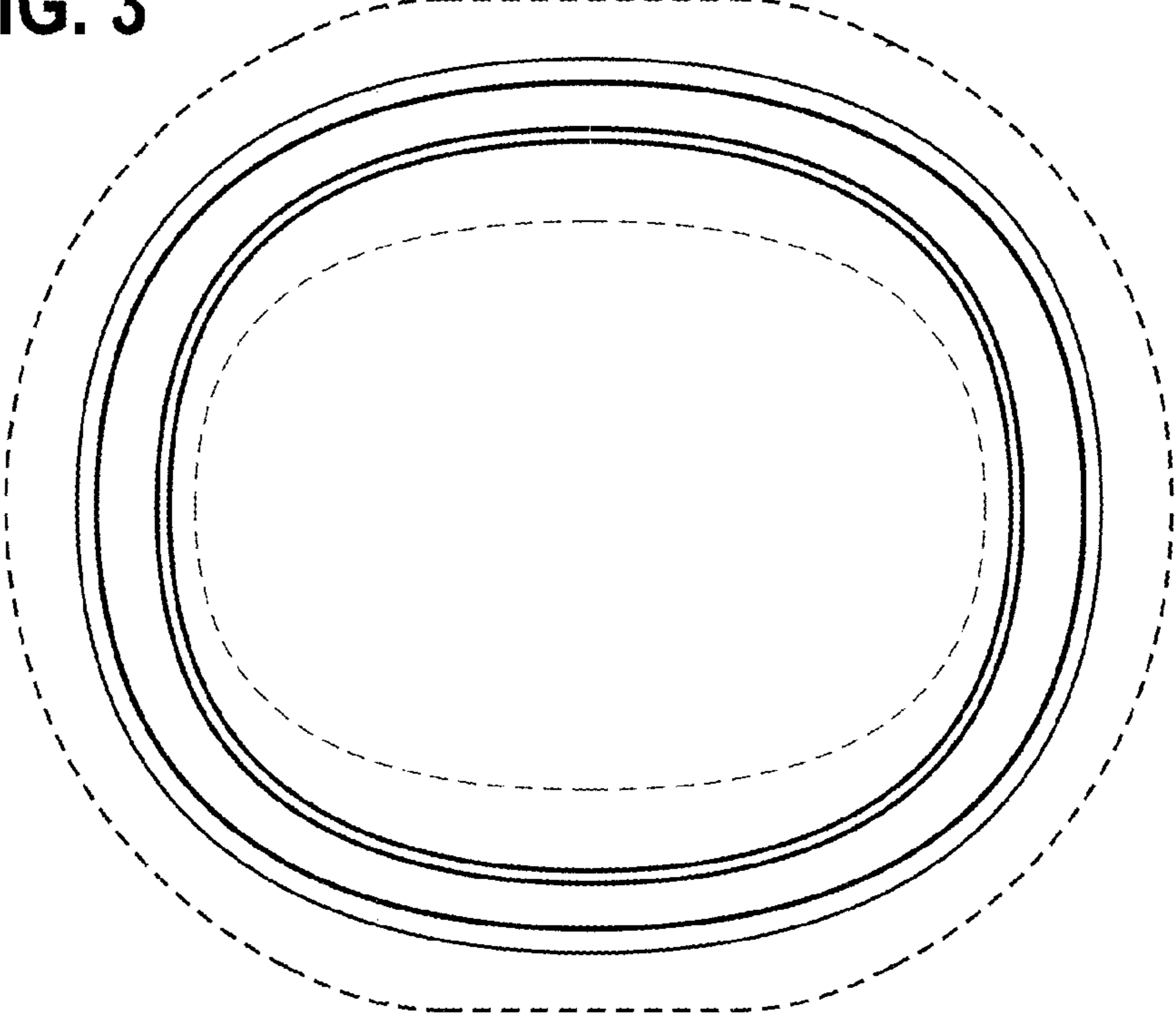
FIG. 1



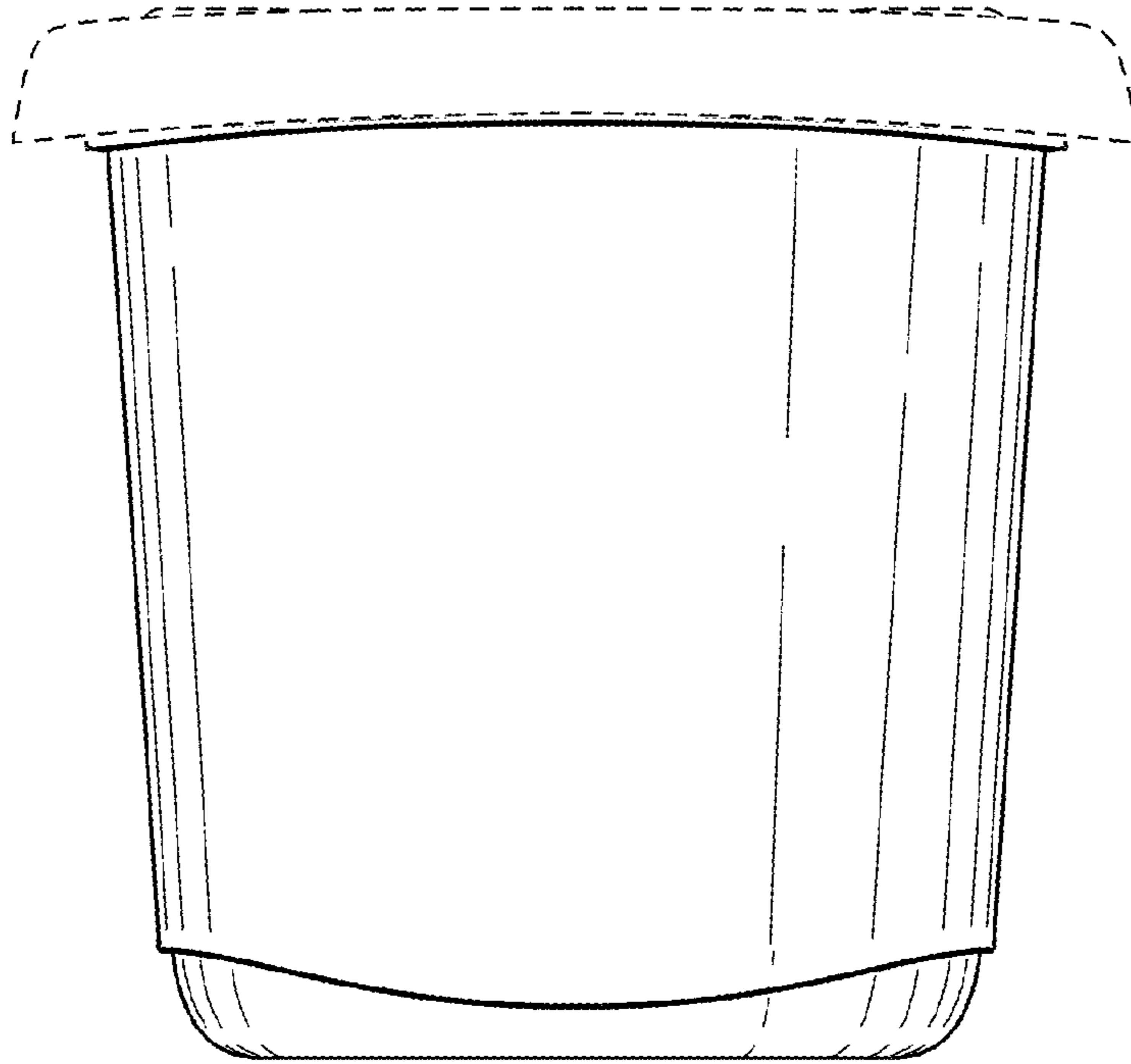
**FIG. 2**



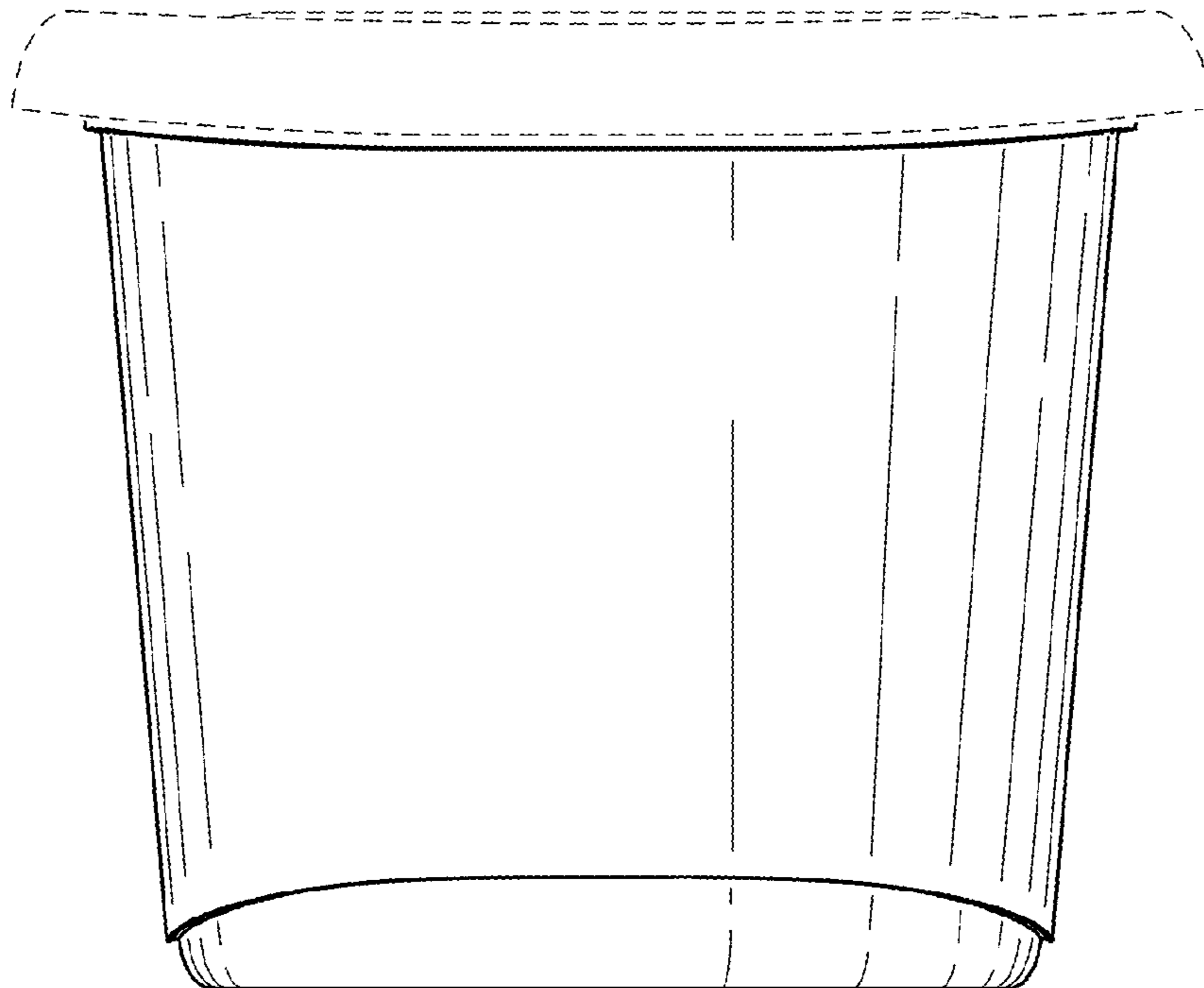
**FIG. 3**



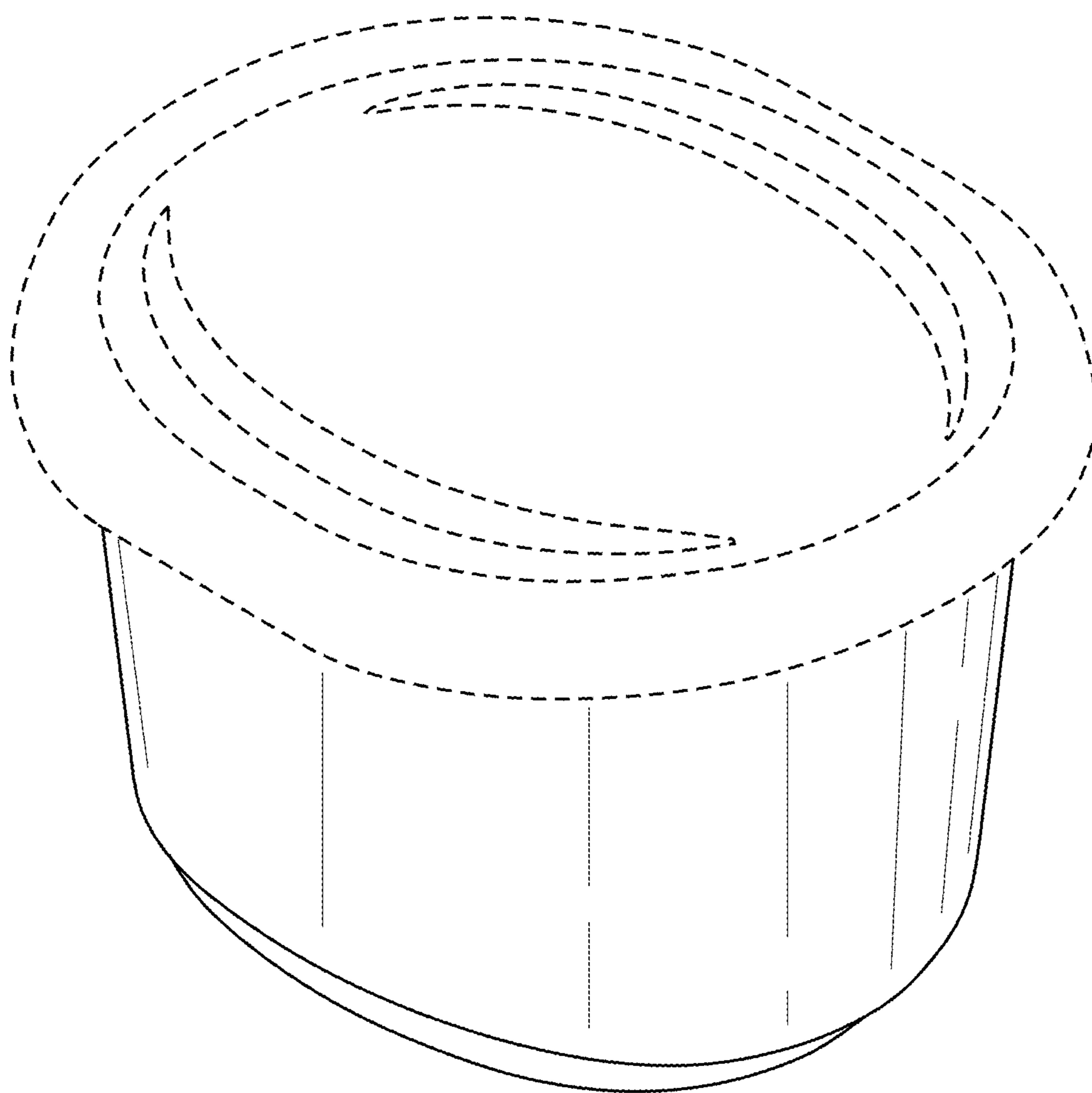
**FIG. 4**



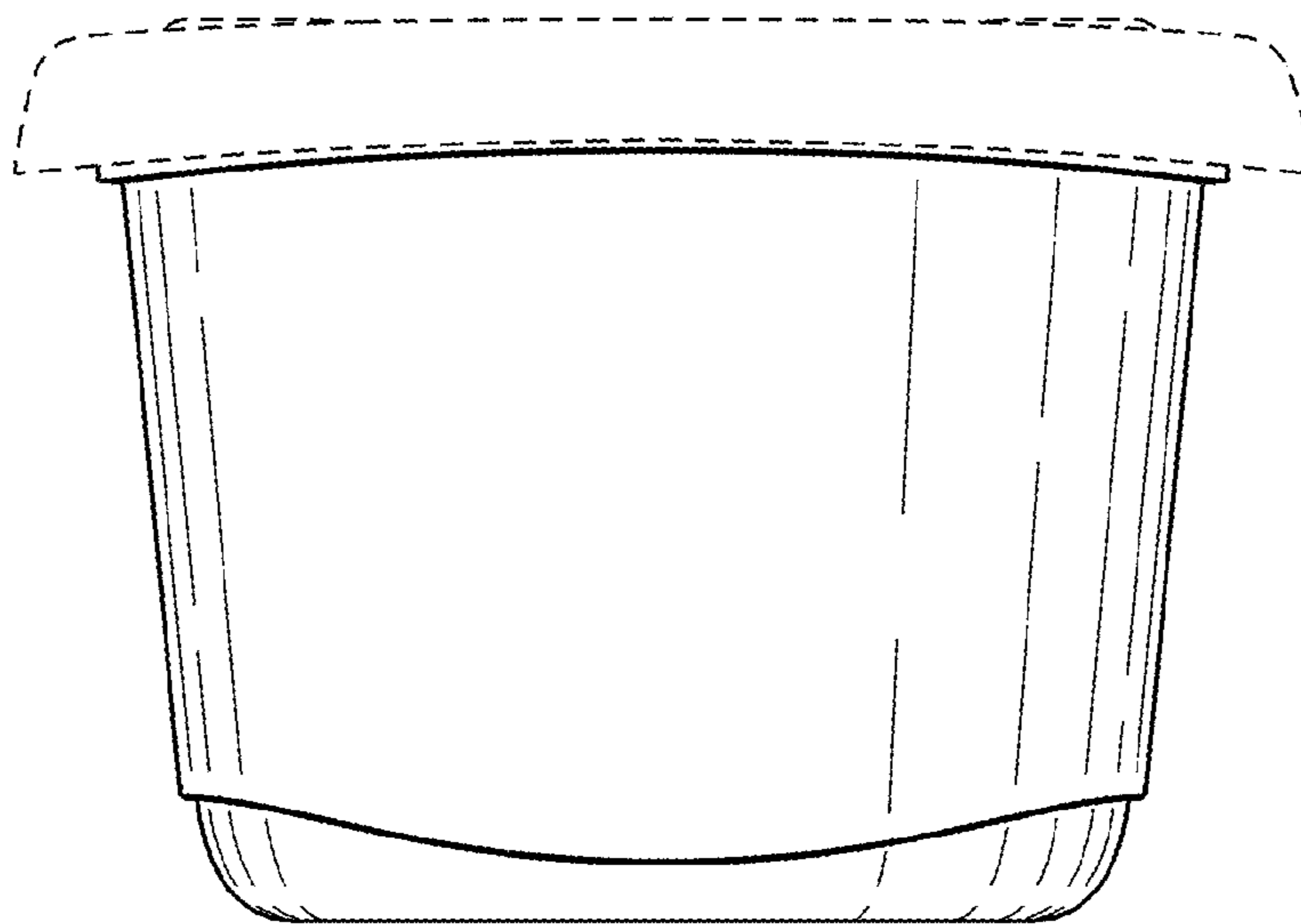
**FIG. 5**



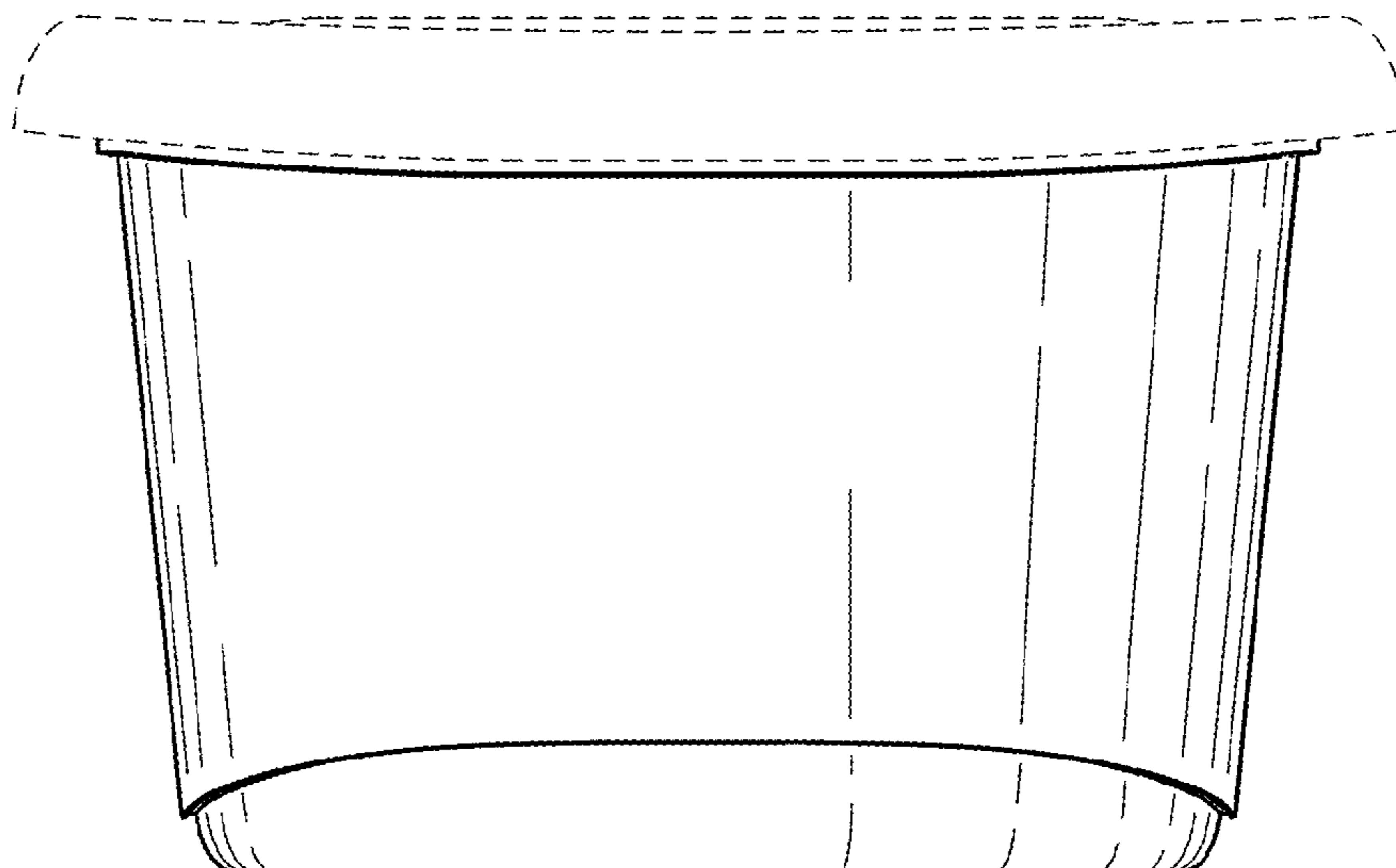
**FIG. 6**



**FIG. 7**

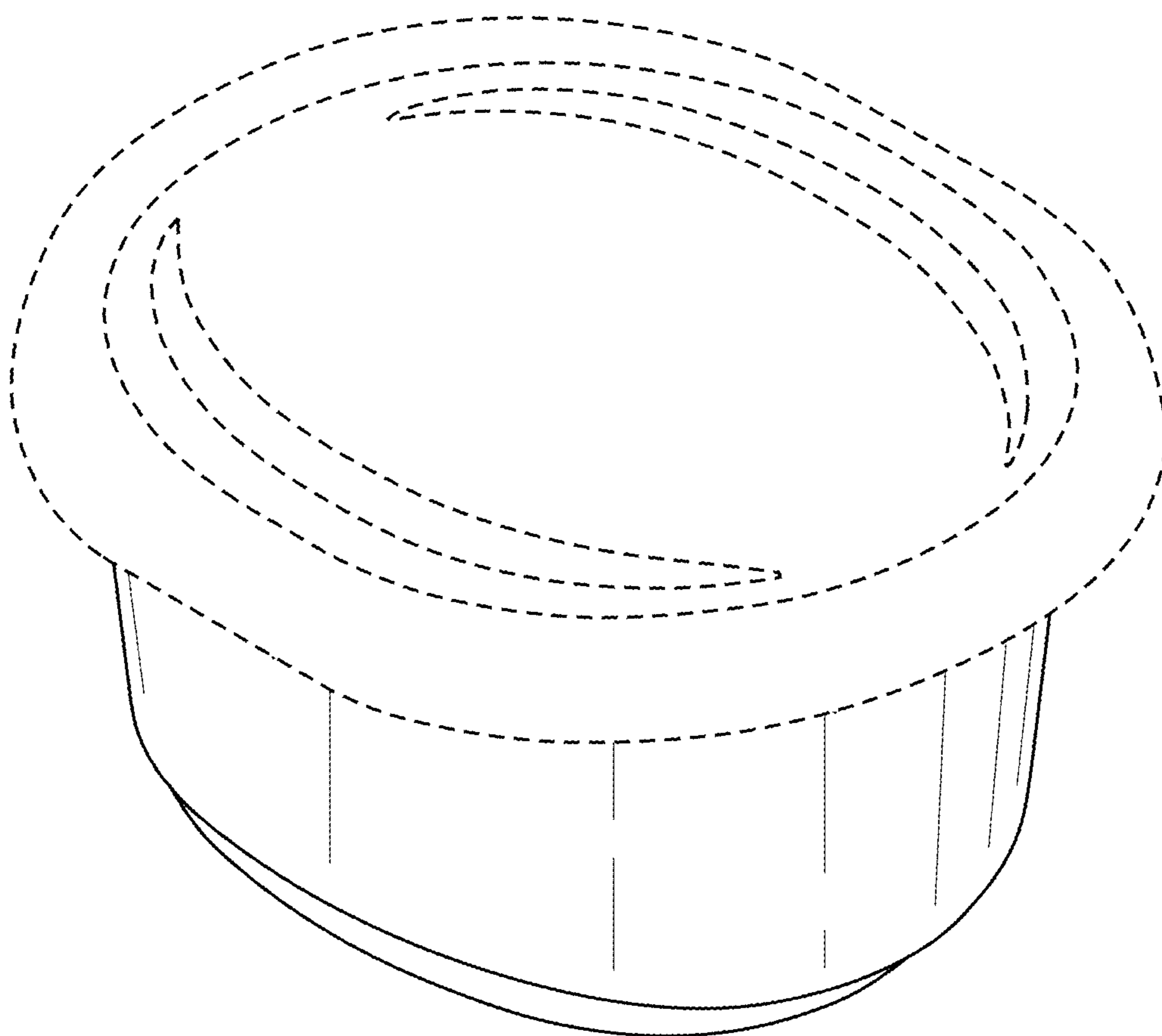


**FIG. 8**

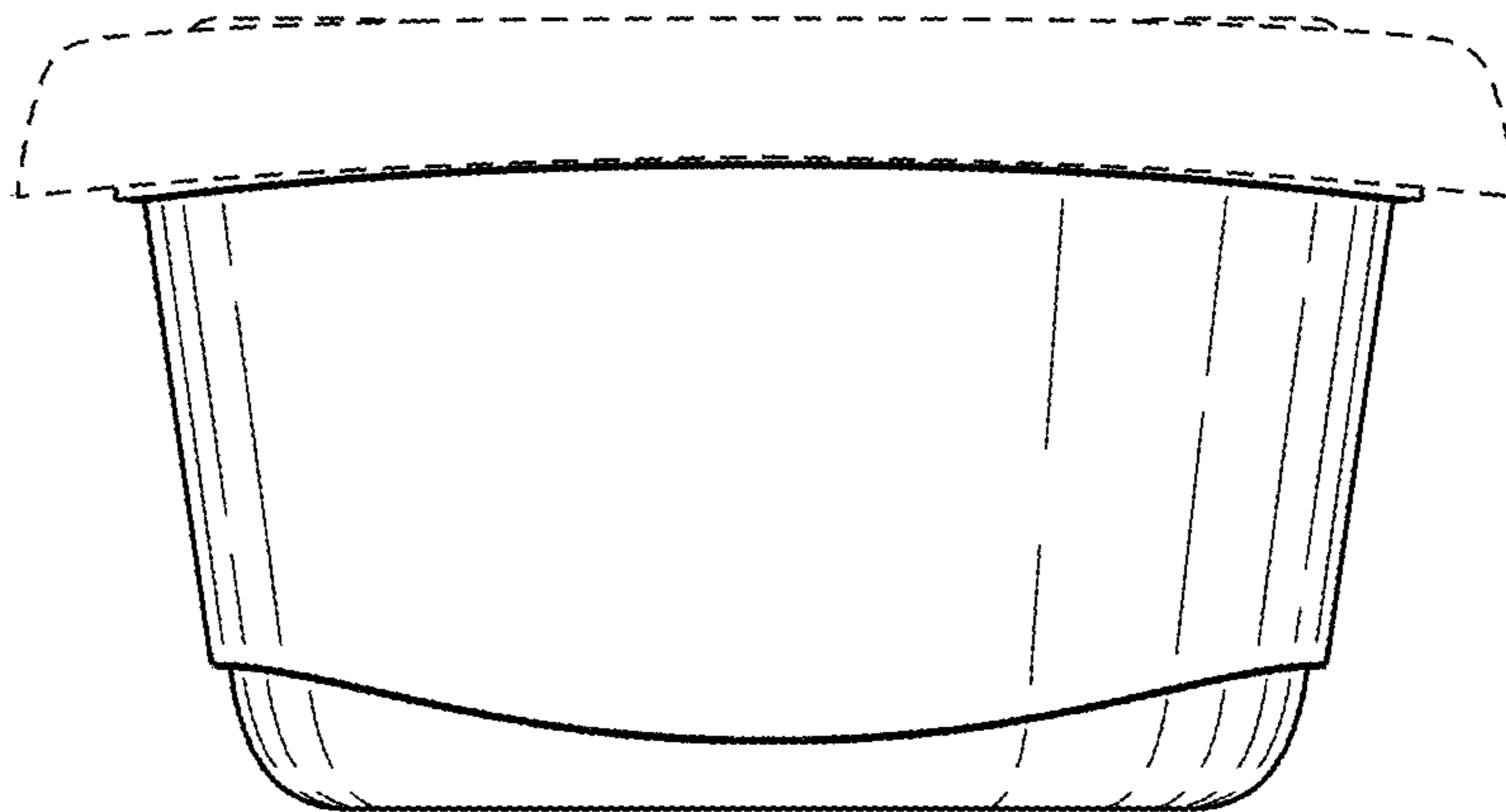




**FIG. 9**



**FIG. 10**



**FIG. 11**

