



US00D720612S

(12) **United States Design Patent**
Gilbert et al.

(10) **Patent No.:** **US D720,612 S**
(45) **Date of Patent:** **** Jan. 6, 2015**

(54) **DOLL HOLDER**

(75) Inventors: **Leonard M. Gilbert**, Beverly Hills, CA (US); **Mark A. Presser**, Los Angeles, CA (US)

(73) Assignee: **Lenmark Holdings, LLC**, Los Angeles, CA (US)

(**) Term: **14 Years**

(21) Appl. No.: **29/423,827**

(22) Filed: **Jun. 5, 2012**

(51) **LOC (10) Cl.** **08-08**

(52) **U.S. Cl.**
USPC **D8/394**

(58) **Field of Classification Search**

CPC A63H 3/50
USPC D8/396, 395, 499, 373, 349; 224/618, 224/659, 668, 673, 680, 148.7; 446/73, 446/279; 29/428; 222/162; D6/457; 248/213.2, 316.1, 311.2, 313; D26/138
See application file for complete search history.

(56) **References Cited**

U.S. PATENT DOCUMENTS

3,224,644 A * 12/1965 Davis 222/162
3,616,571 A 11/1971 Adickes

(Continued)

FOREIGN PATENT DOCUMENTS

WO 2007053632 A2 5/2007

Primary Examiner — Deanna L Pratt

Assistant Examiner — Harold Blackwell, II

(74) *Attorney, Agent, or Firm* — Jonathan Jaech; Snell & Wilmer L.L.P.

(57) **CLAIM**

The ornamental design for a doll holder, as shown and described.

DESCRIPTION

FIG. 1 is a perspective view of a doll holder, oriented on a substantially horizontal surface, shown with a doll positioned in the doll holder.

FIG. 2 is a perspective view of the doll holder shown in FIG. 1.

FIG. 3 is a perspective view of the doll holder of FIG. 1.

FIG. 4 is a top elevation view of the doll holder of FIG. 1.

FIG. 5 is a bottom elevation view of the doll holder of FIG. 1.

FIG. 6 is a right side elevation view of the doll holder of FIG. 1.

FIG. 7 is a left side elevation view of the doll holder of FIG. 1.

FIG. 8 is a front elevation view of the doll holder of FIG. 1.

FIG. 9 is a rear elevation view of the doll holder of FIG. 1.

FIG. 10 is a perspective view of the doll holder of FIG. 1, turned to orient on a substantially vertical surface, shown with a doll positioned in the doll holder.

FIG. 11 is a perspective view of the doll holder shown in FIG. 10.

FIG. 12 is a perspective view of the doll holder shown in FIG. 10.

FIG. 13 is a top elevation view of the doll holder of FIG. 10.

FIG. 14 is a bottom elevation view of the doll holder of FIG. 10.

FIG. 15 is a right side elevation view of the doll holder of FIG. 10.

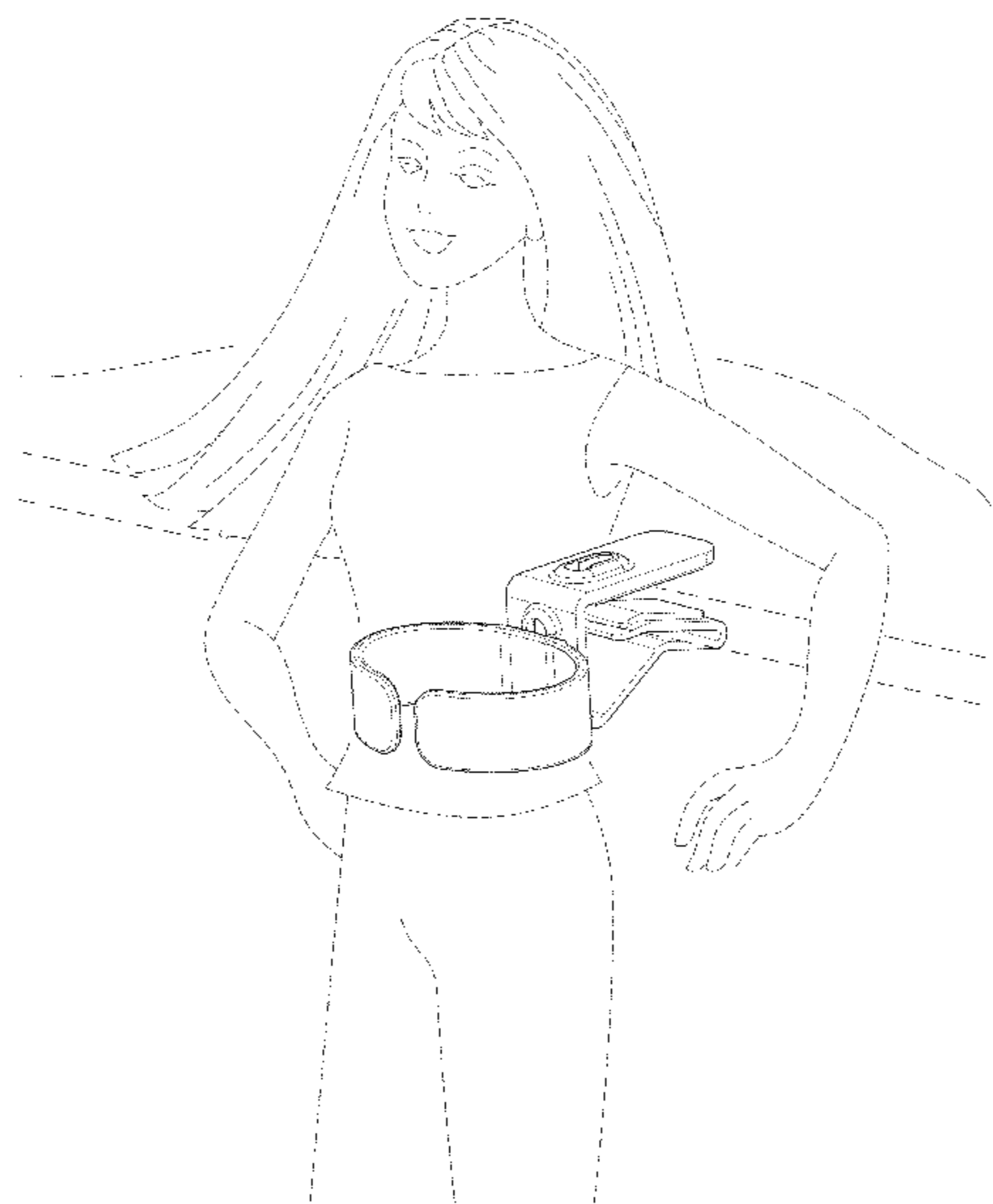
FIG. 16 is a left side elevation view of the doll holder of FIG. 10.

FIG. 17 is a front elevation view of the doll holder of FIG. 10; and,

FIG. 18 is a rear elevation view of the doll holder of FIG. 10.

The broken line showing of the doll in FIGS. 1 and 10 illustrates the environment of the claimed design and forms no part thereof.

1 Claim, 10 Drawing Sheets



(56)

References Cited

U.S. PATENT DOCUMENTS

D237,357 S * 10/1975 Ziaylek, Jr. D8/373
 4,444,358 A * 4/1984 Spohn et al. 239/284.1
 D303,738 S * 10/1989 Ziaylek, Jr. D6/457
 D314,325 S * 2/1991 Ziaylek et al. D8/373
 5,003,725 A 4/1991 Maddox
 5,398,820 A 3/1995 Kiss
 D358,691 S * 5/1995 Engle D32/54
 5,549,499 A * 8/1996 Foskey et al. 446/268
 5,730,638 A 3/1998 Ward
 6,056,253 A * 5/2000 Tripp 248/213.2
 D431,337 S * 9/2000 King D32/54
 6,220,557 B1 * 4/2001 Ziaylek et al. 248/316.1
 6,575,302 B2 6/2003 Robley, Jr.

D482,489 S * 11/2003 Gary et al. D26/138
 D552,462 S * 10/2007 Boyd et al. D8/395
 D556,019 S * 11/2007 Symons D8/356
 7,669,742 B2 * 3/2010 Rush 224/148.7
 D613,921 S * 4/2010 Tsui D32/52
 D622,469 S * 8/2010 Nacey D32/54
 7,959,121 B1 * 6/2011 Barnes, Jr. 248/311.2
 8,231,094 B1 * 7/2012 Barnes, Jr. 248/311.2
 8,333,310 B2 * 12/2012 Tages 224/197
 D680,857 S * 4/2013 Rumpel D8/395
 D685,991 S * 7/2013 Pearce D3/218
 8,534,629 B2 * 9/2013 Hennings et al. 248/313
 D690,583 S * 10/2013 Sendra-Gonzalez et al. .. D8/394
 2004/0195284 A1 10/2004 Iitsuka
 2005/0051678 A1 3/2005 Modesto
 2012/0322338 A1 * 12/2012 Gilbert et al. 446/73

* cited by examiner

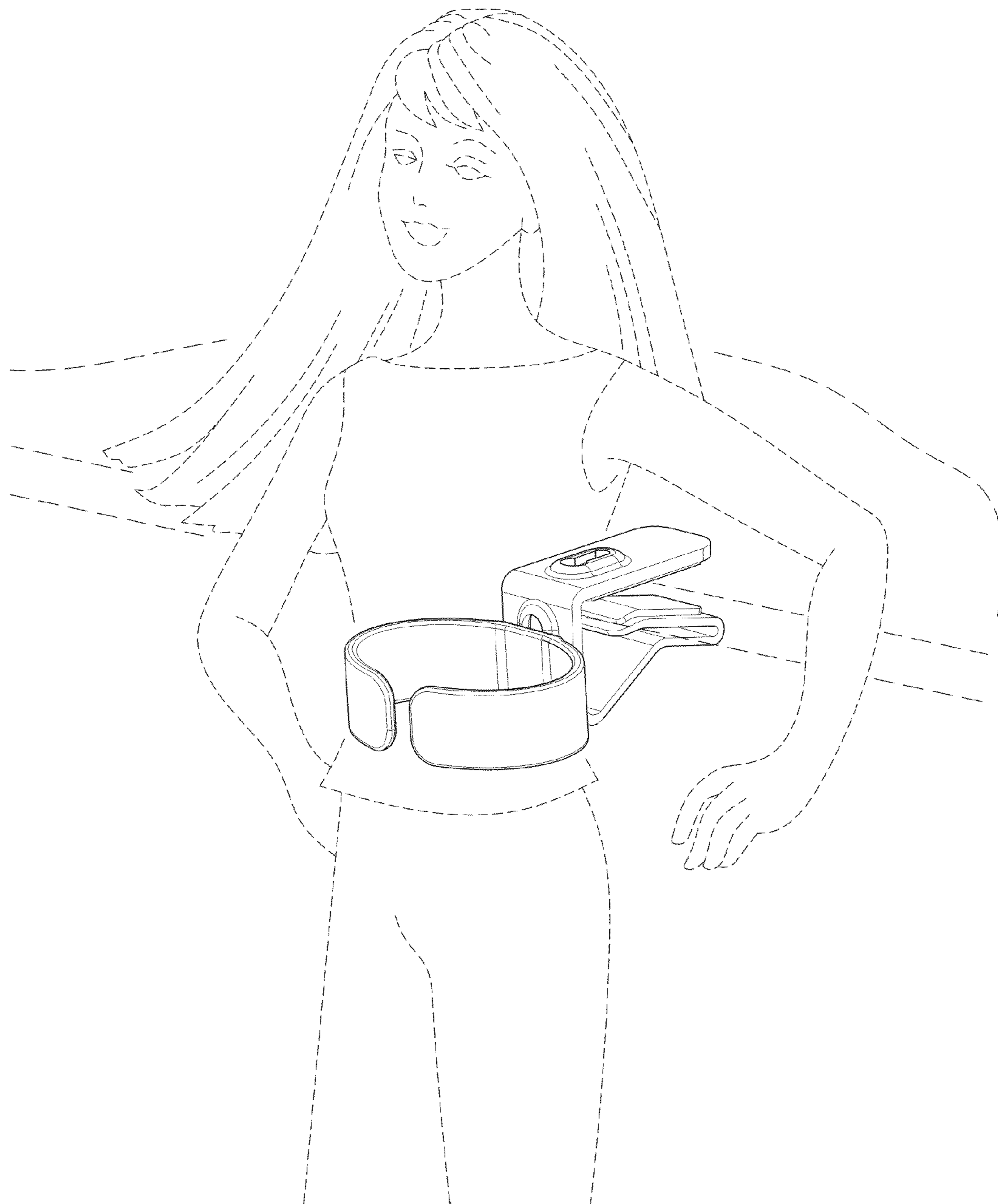


FIG. 1

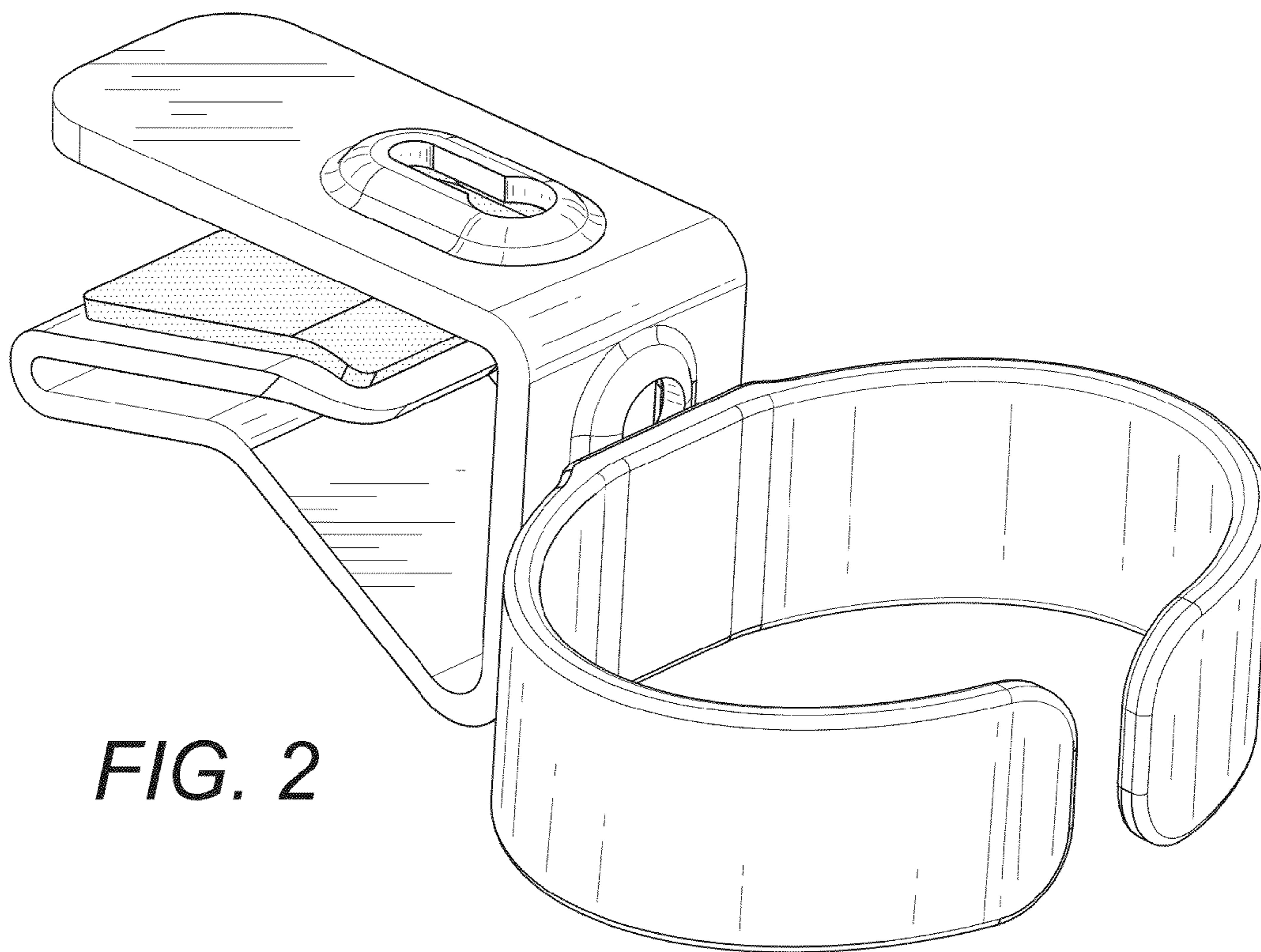


FIG. 2

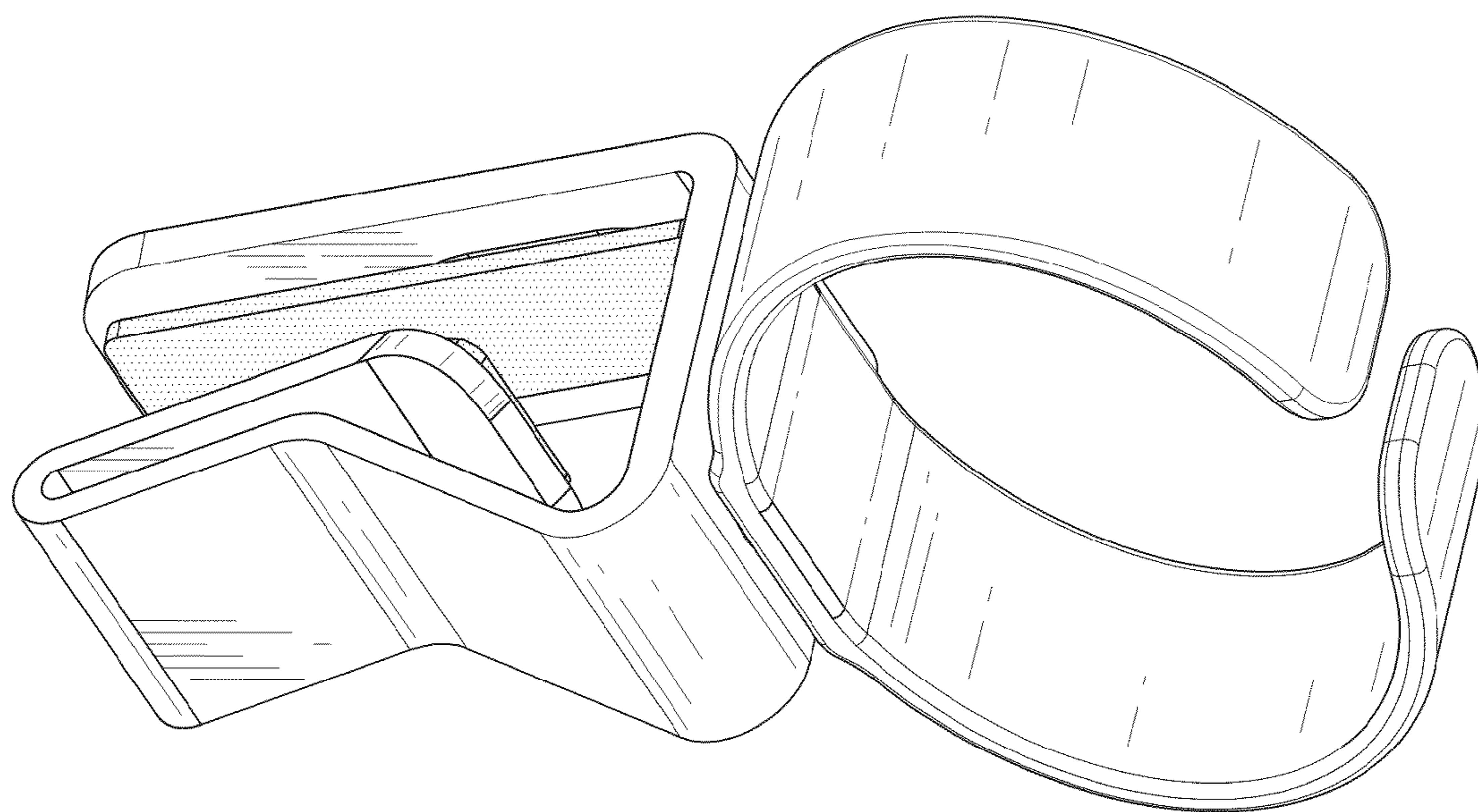


FIG. 3

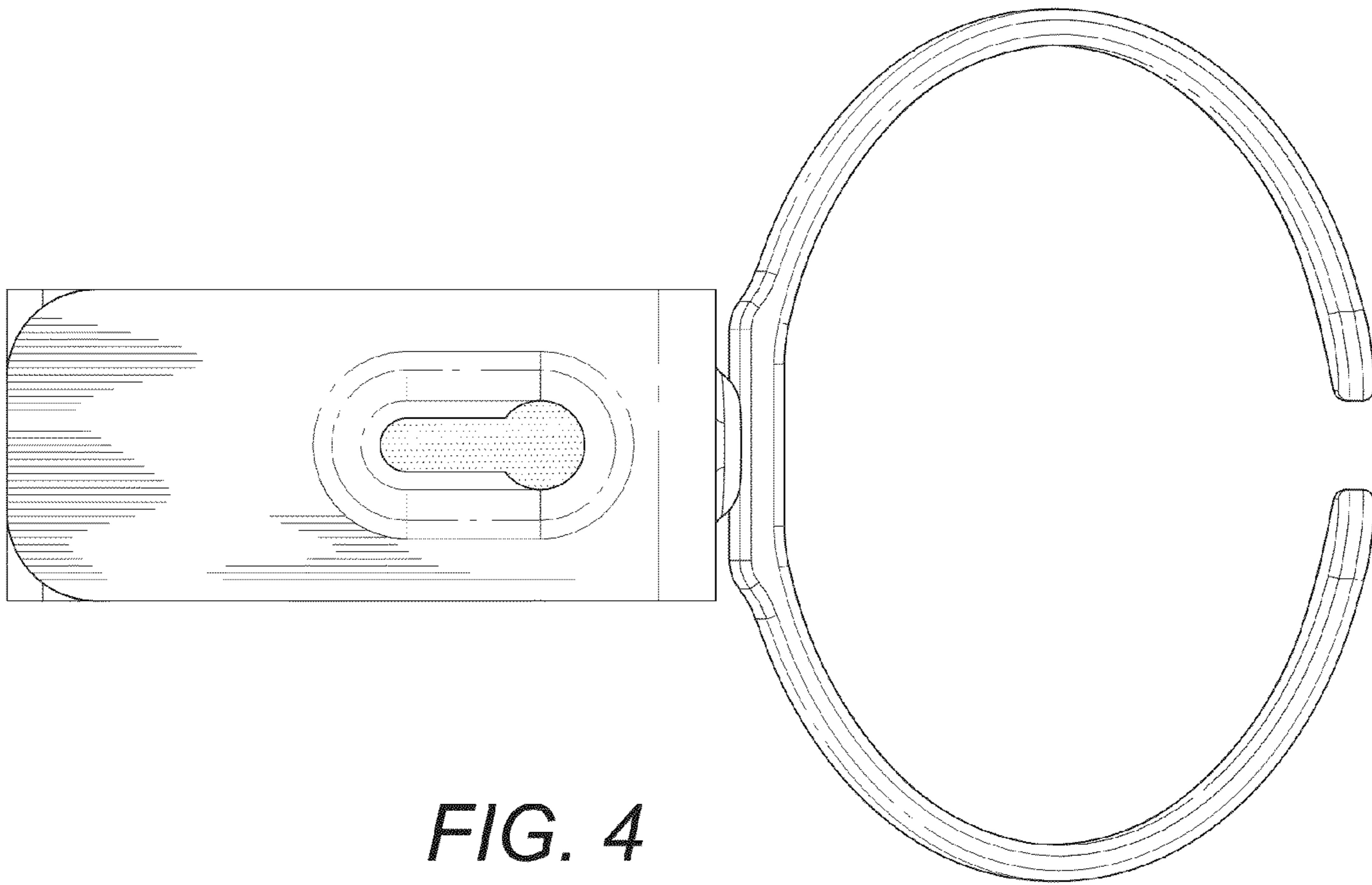


FIG. 4

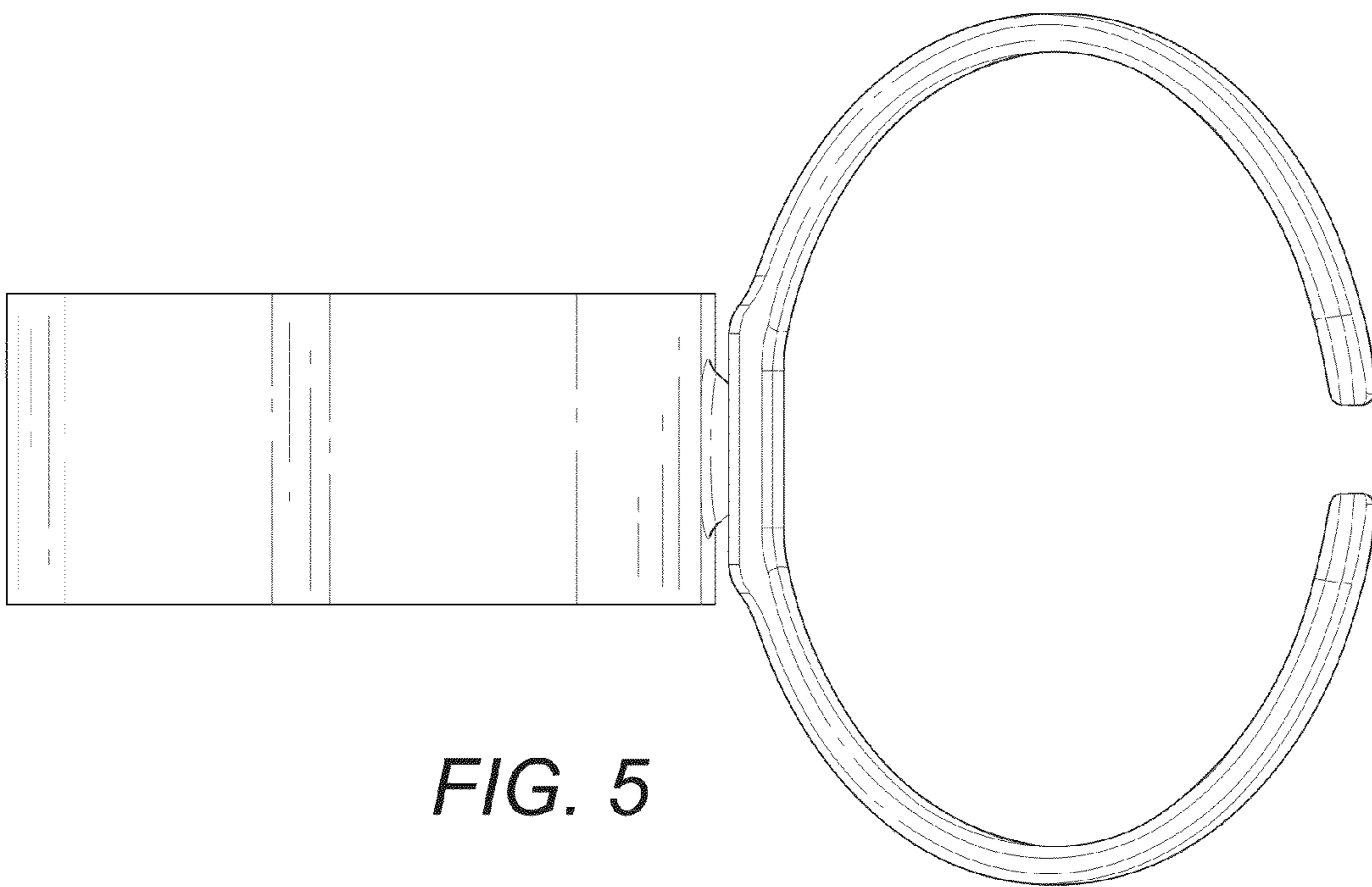


FIG. 5

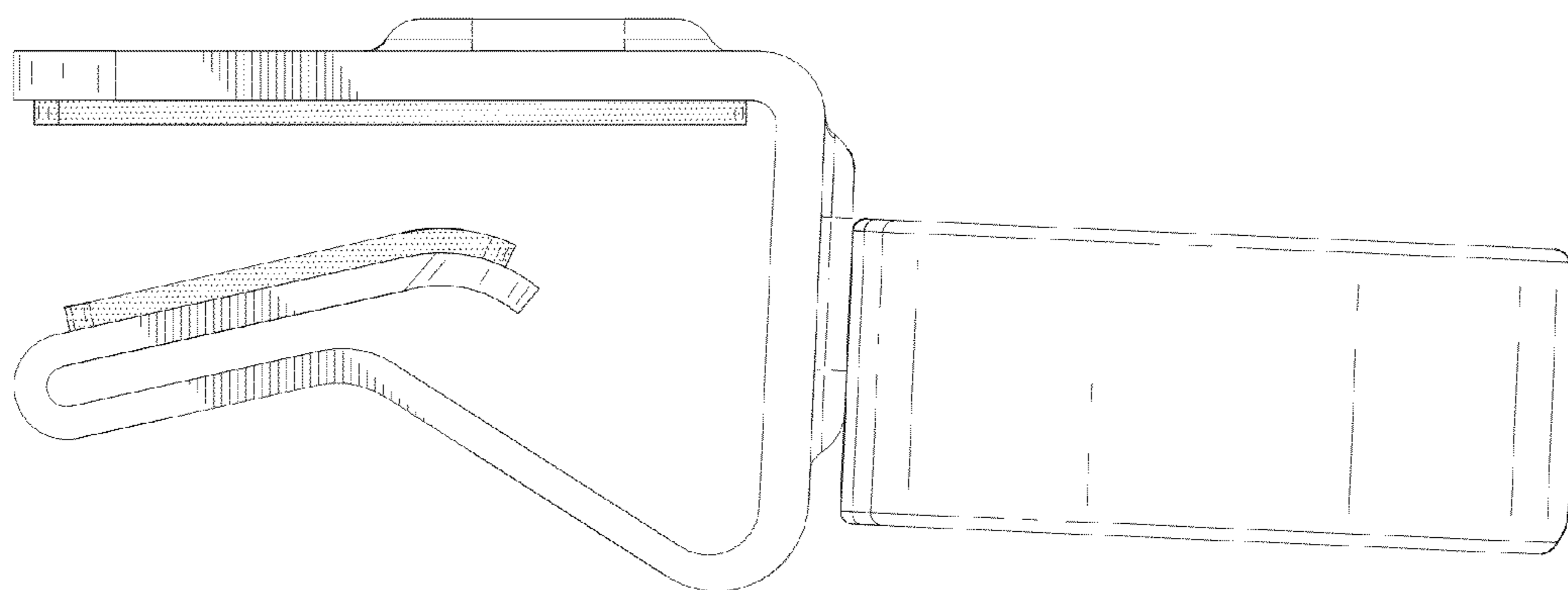


FIG. 6

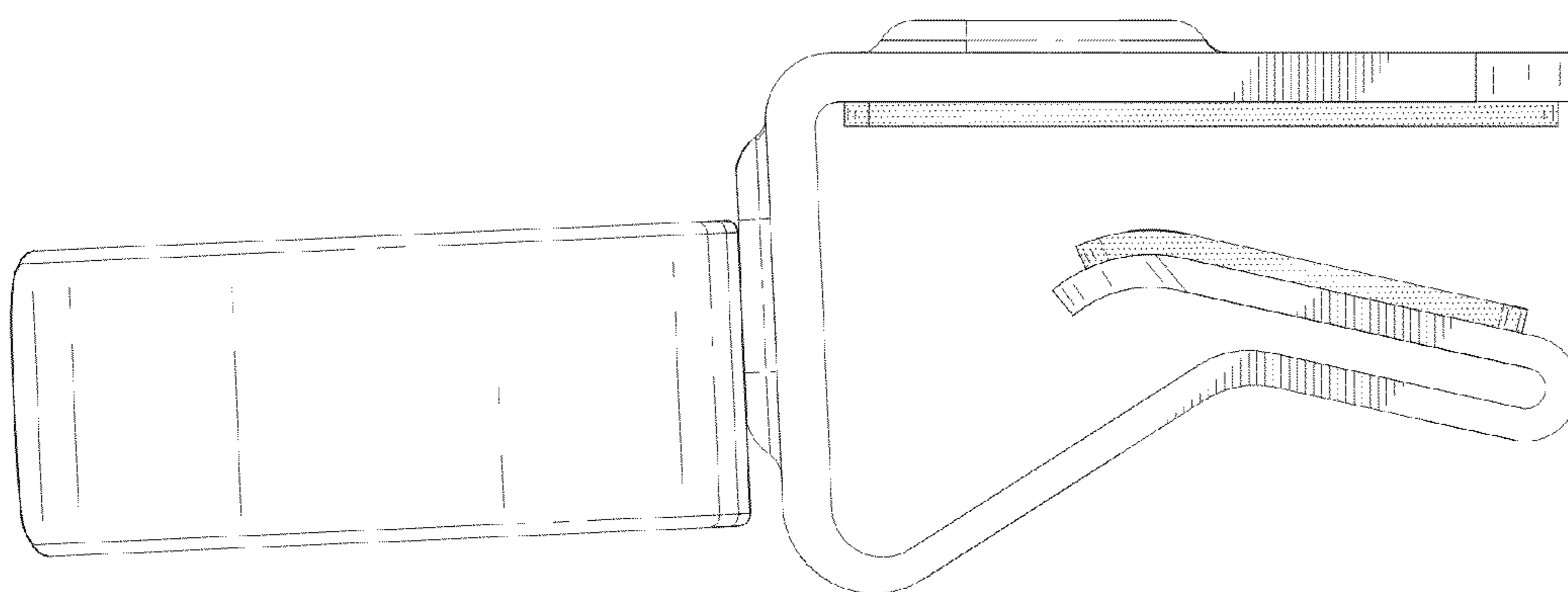


FIG. 7

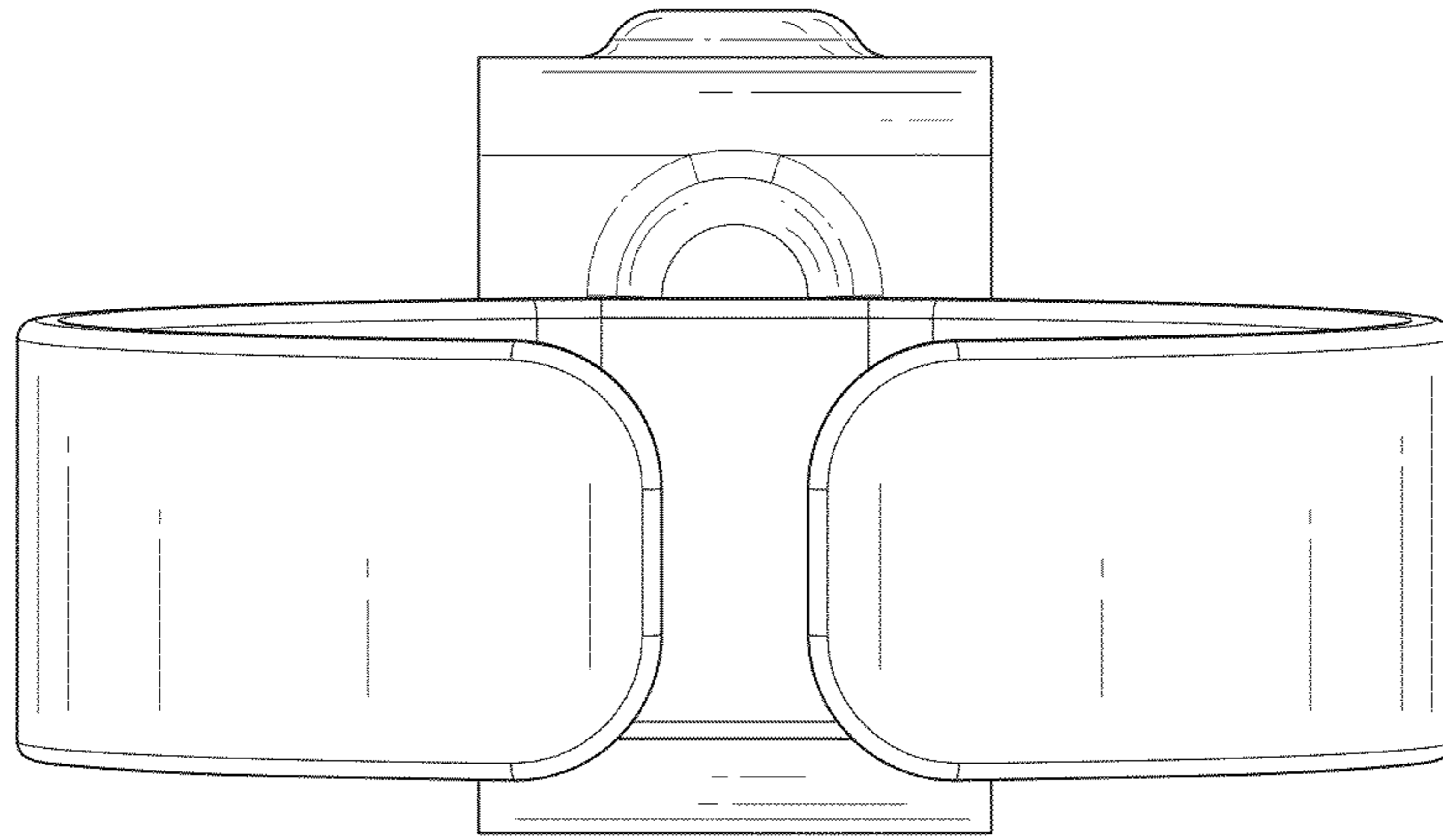


FIG. 8

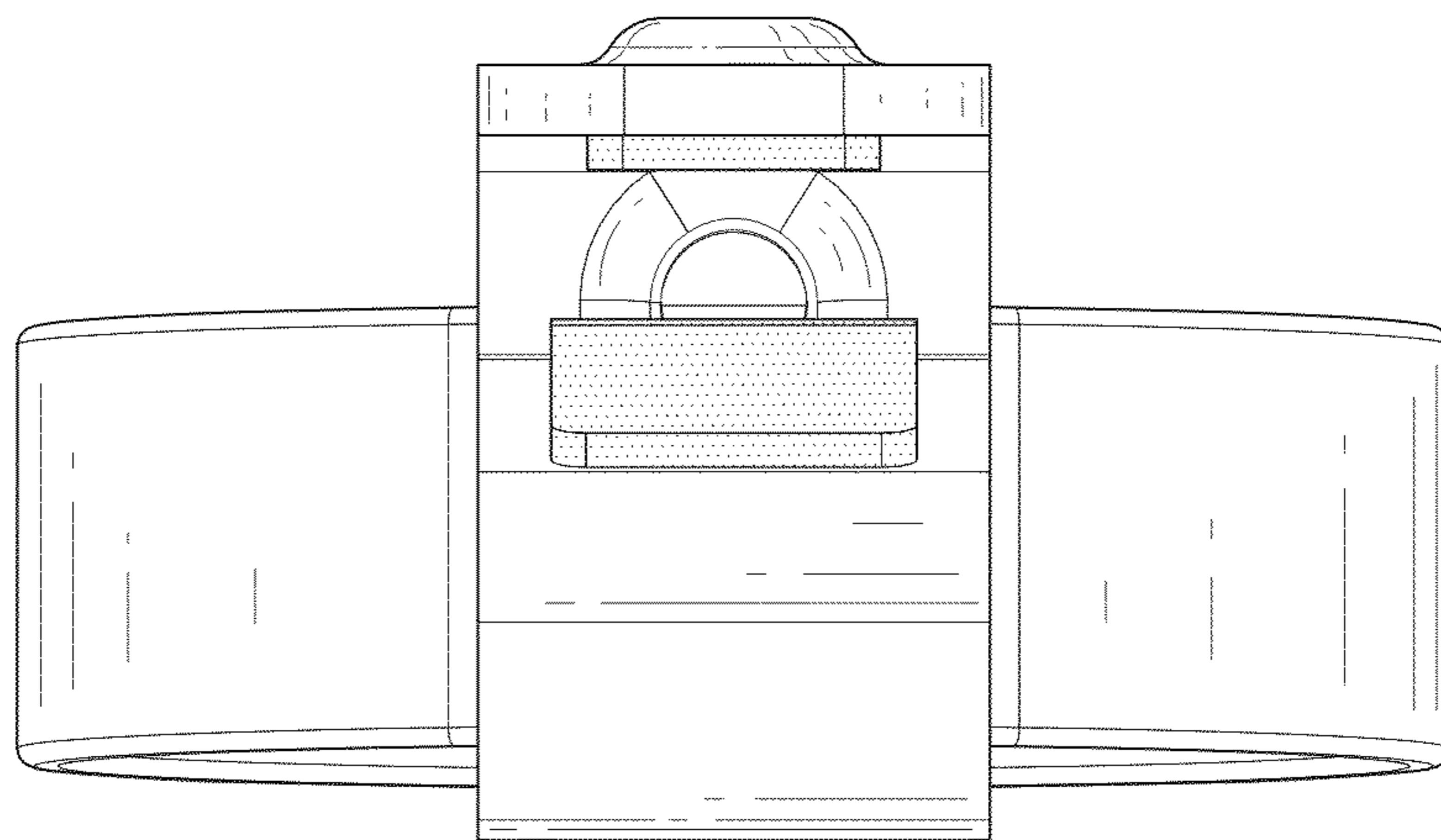


FIG. 9

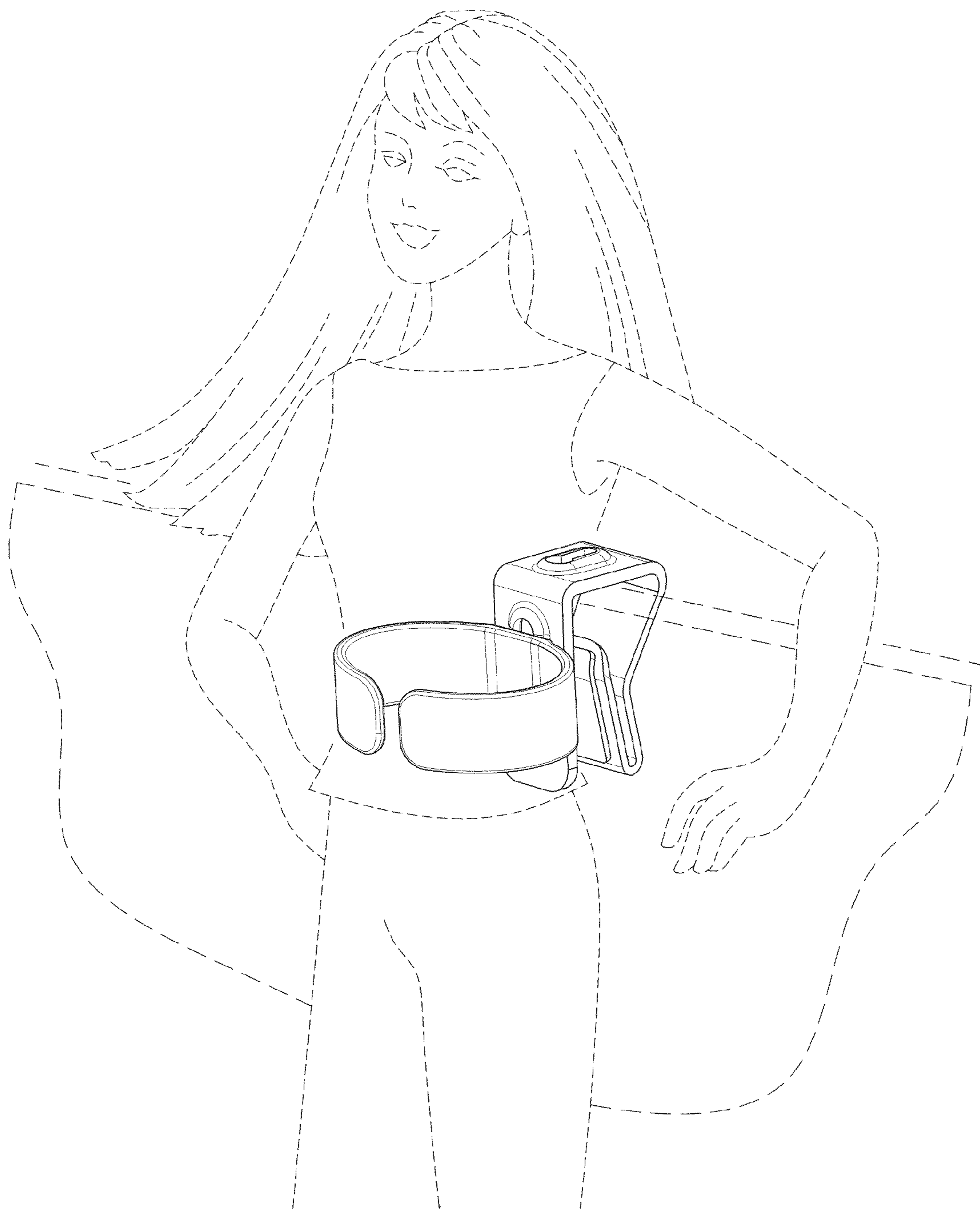


FIG. 10

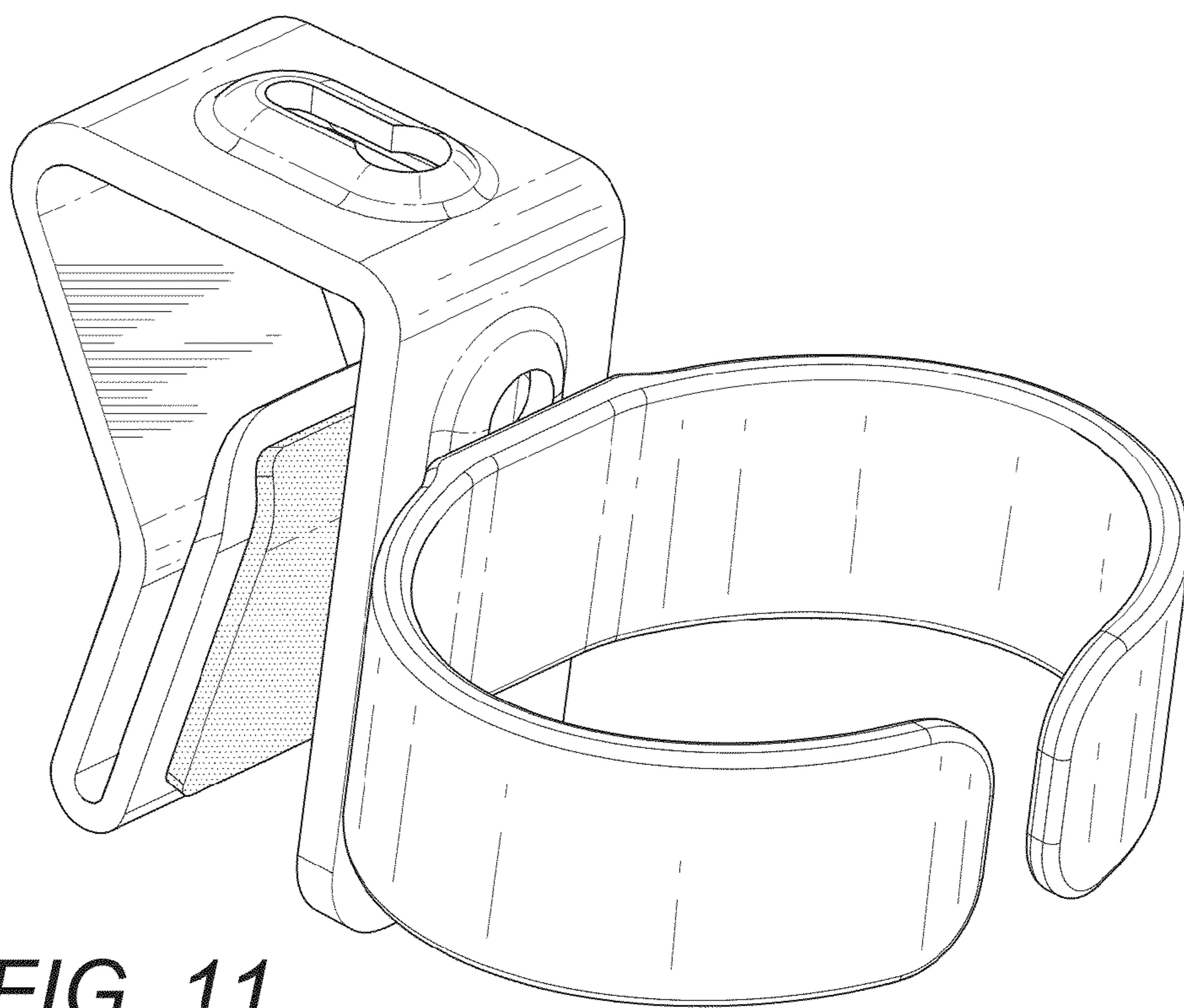


FIG. 11

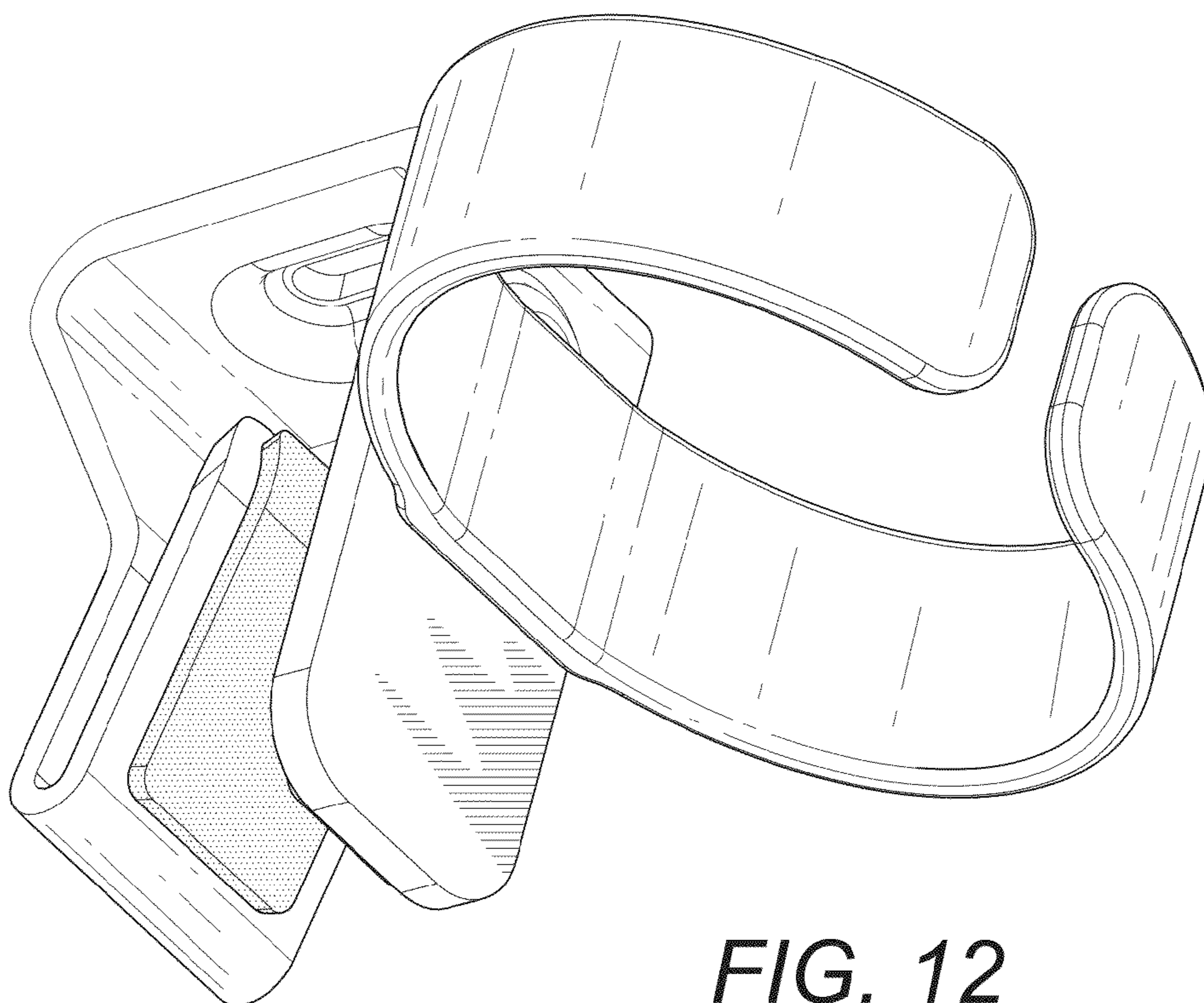


FIG. 12

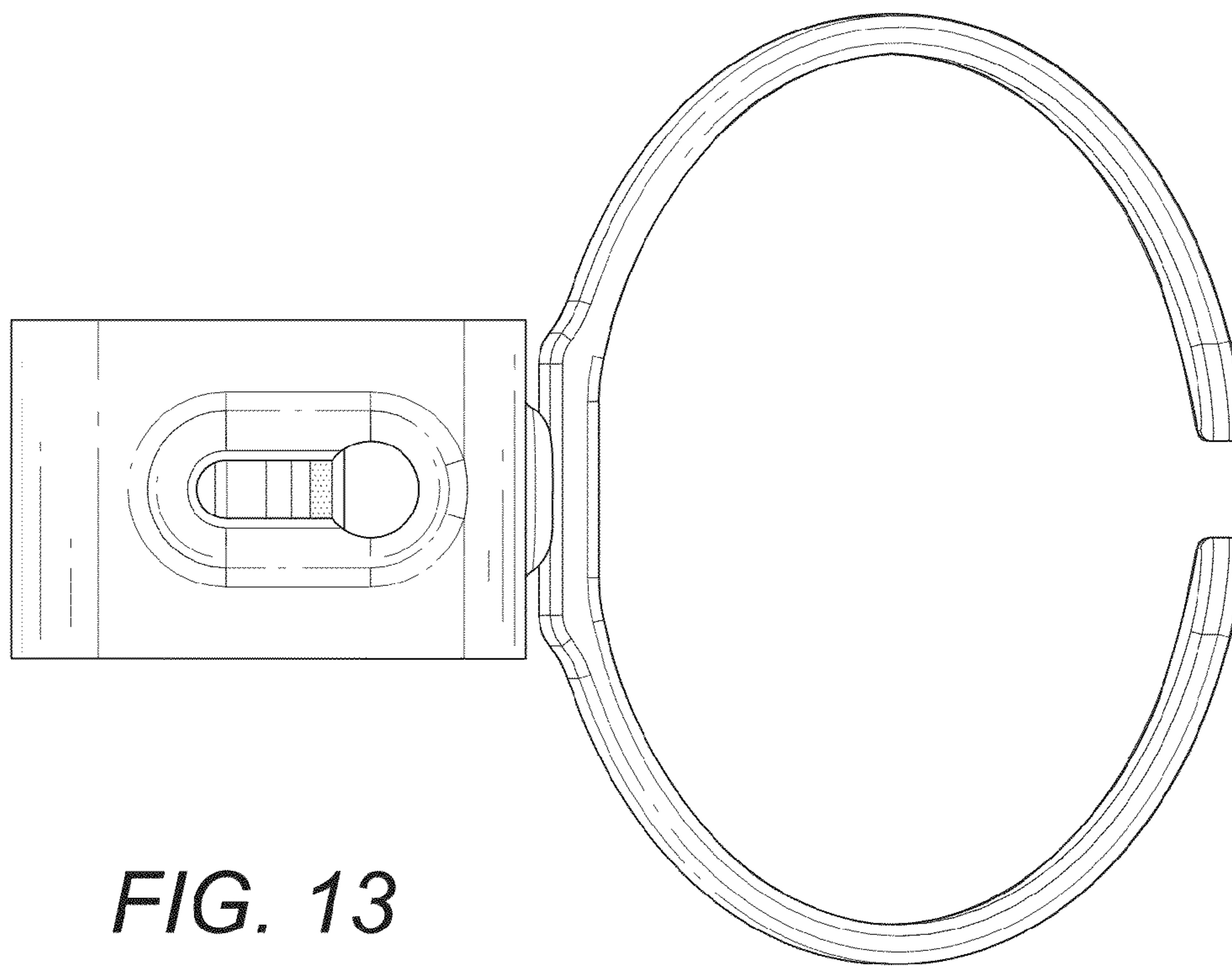


FIG. 13

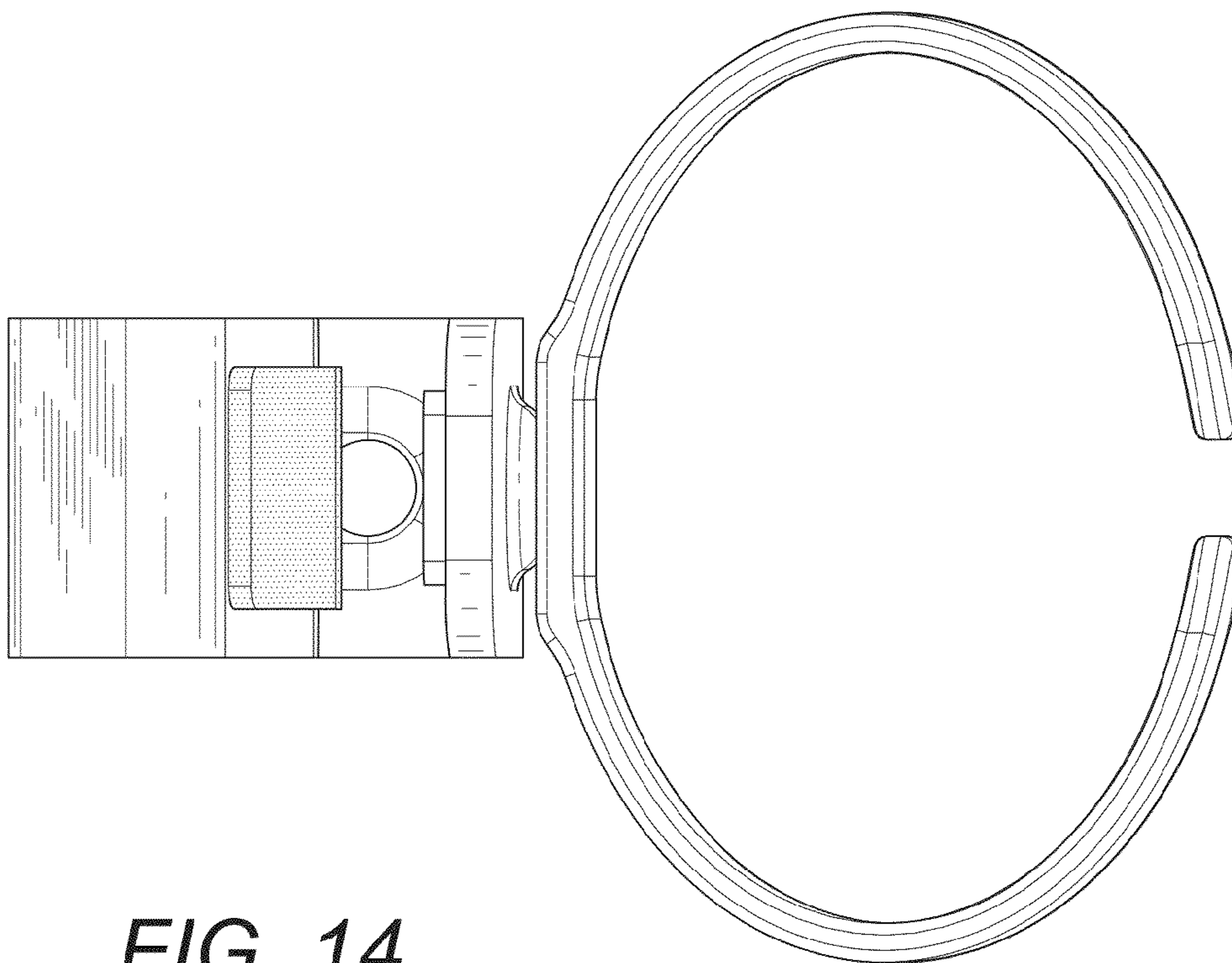


FIG. 14

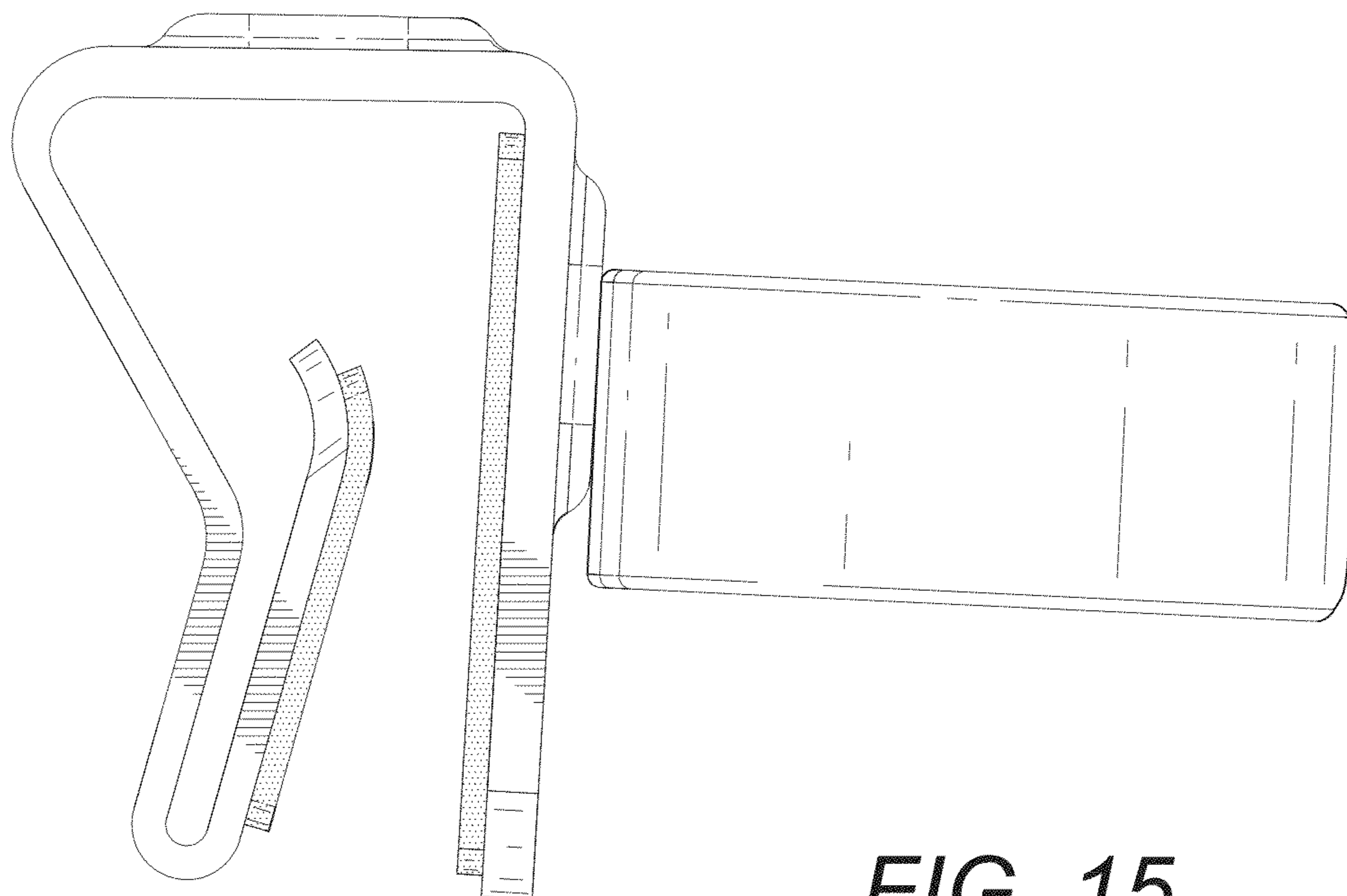


FIG. 15

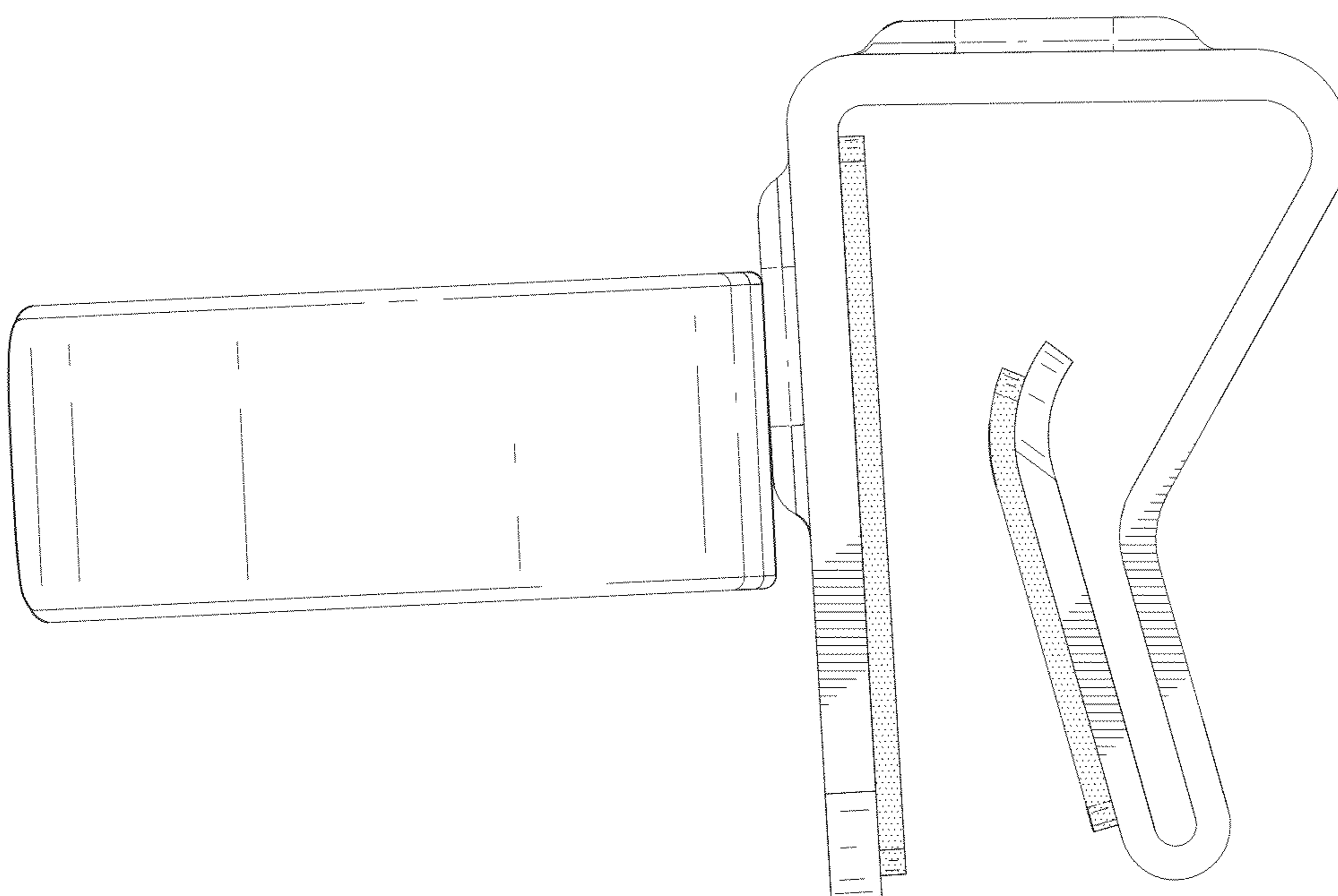


FIG. 16

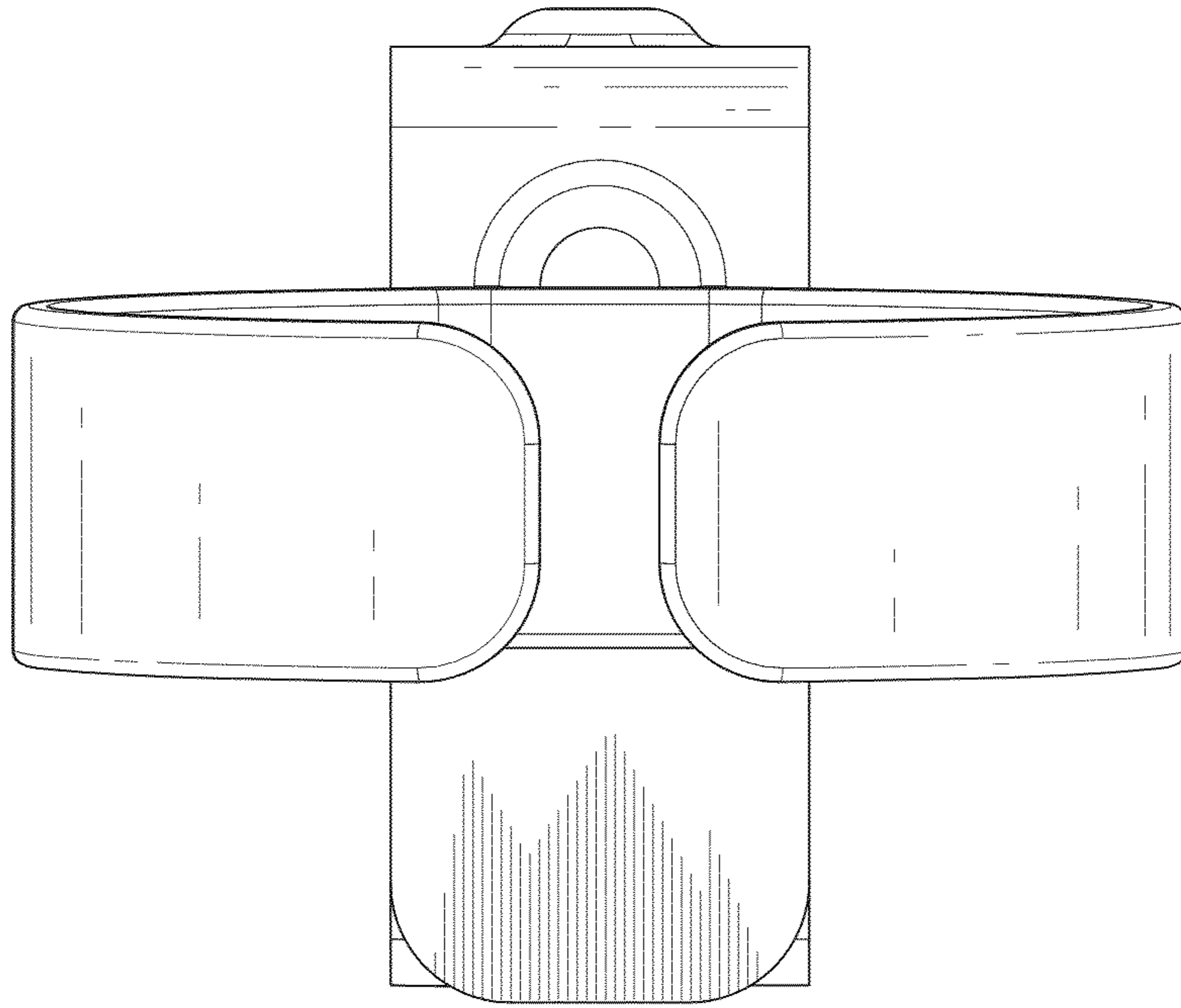


FIG. 17

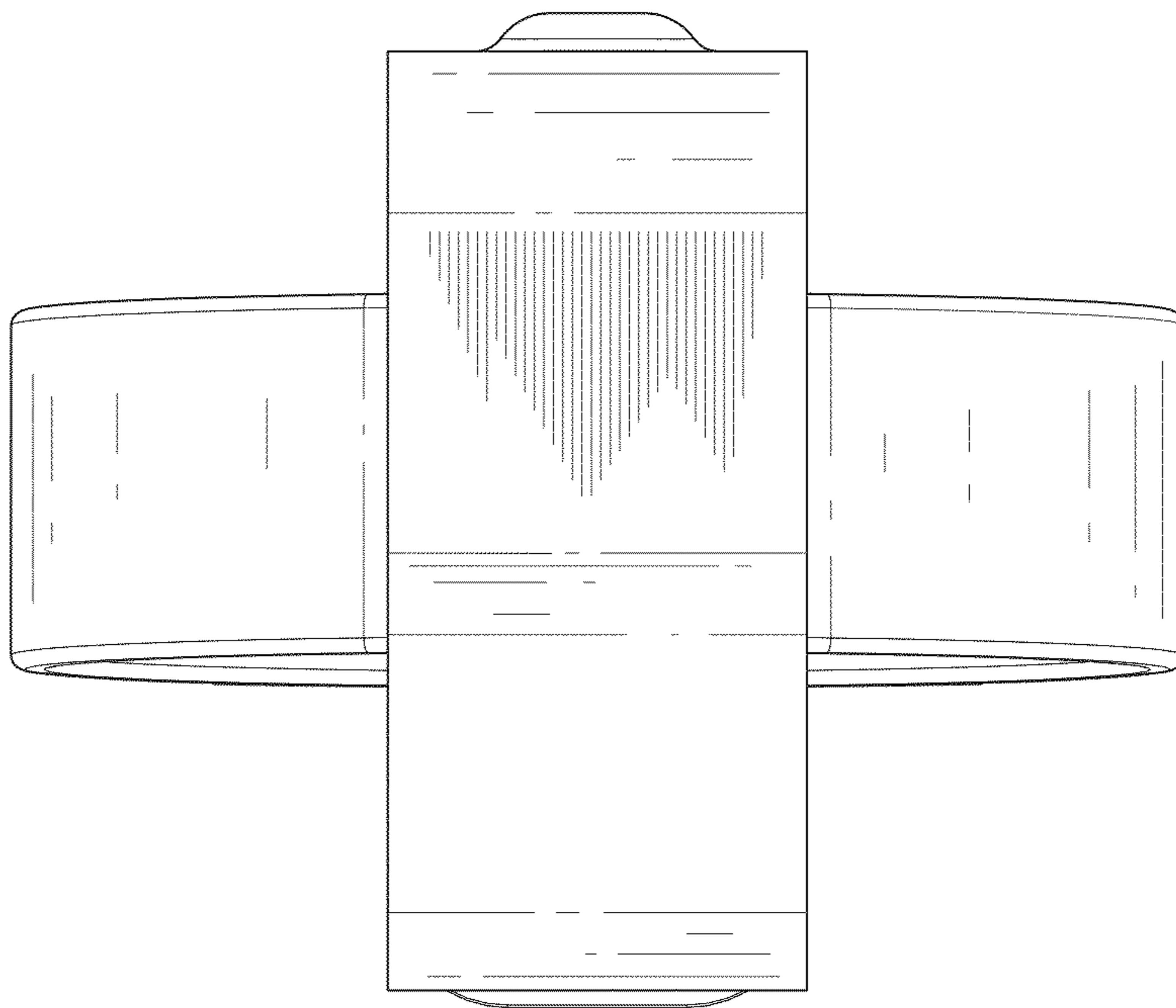


FIG. 18