



US00D720608S

(12) **United States Design Patent**
Yamaguchi

(10) **Patent No.:** **US D720,608 S**
(45) **Date of Patent:** **** Jan. 6, 2015**

(54) **PIPE CONNECTOR FOR FURNITURE KITS**

(71) Applicant: **Toyoda Products Co., Ltd.**, Kiryu (JP)

(72) Inventor: **Masao Yamaguchi**, Kiryu (JP)

(73) Assignee: **Toyoda Products Co., Ltd.** (JP)

(**) Term: **14 Years**

(21) Appl. No.: **29/461,188**

(22) Filed: **Jul. 19, 2013**

(30) **Foreign Application Priority Data**

Jan. 22, 2013 (JP) 2013-001014

(51) **LOC (10) Cl.** **08-08**

(52) **U.S. Cl.**
USPC **D8/382**

(58) **Field of Classification Search**

USPC D8/382, 354, 349, 499; D6/512, 513,
D6/553, 310, 329, 332; D25/122, 123, 58;
52/586.2, 775, 27, 233; 211/189, 182,
211/183; 248/678, 223.41; 403/256, 255,
403/170, 387; 4/524; 446/127; 312/265.1

See application file for complete search history.

(56) **References Cited**

U.S. PATENT DOCUMENTS

3,486,287	A *	12/1969	Guillon	52/775
3,513,590	A *	5/1970	Fischer	446/127
3,513,606	A *	5/1970	Jones	52/27
4,226,394	A *	10/1980	Einhorn	248/223.41
4,490,064	A *	12/1984	Ducharme	403/255
D365,746	S *	1/1996	Chudoba et al.	D8/349
D373,832	S *	9/1996	Nomura	D25/122
5,580,181	A *	12/1996	Nomura	403/170
5,647,650	A *	7/1997	Daugherty et al.	312/265.1
7,628,563	B2 *	12/2009	Winkler	403/387
8,789,325	B2 *	7/2014	Verhaeghe	52/233

OTHER PUBLICATIONS

8020 T Slot Aluminum Tri Corner Connector 10 S 4042 N, ebay, [online], [retrieved on Aug. 21, 2014]. Retrieved from the Internet <URL: <http://www.ebay.com/itm/like/220470841032?lpid=82>>.*
Multi Connector 30, MiniTec Framing Systems, LLC, [online], [retrieved on Aug. 21, 2014]. Retrieved from the Internet <URL: http://www.minitecframing.com/Products/30%20SERIES%20PROFILES/30%20SERIES%20CATALOG%20PAGES/22.1140_Multi_Connector_30.html>.*

(Continued)

Primary Examiner — Sheryl Lane

Assistant Examiner — Nicole Shiflet

(74) *Attorney, Agent, or Firm* — Harness, Dickey & Pierce, P.L.C.

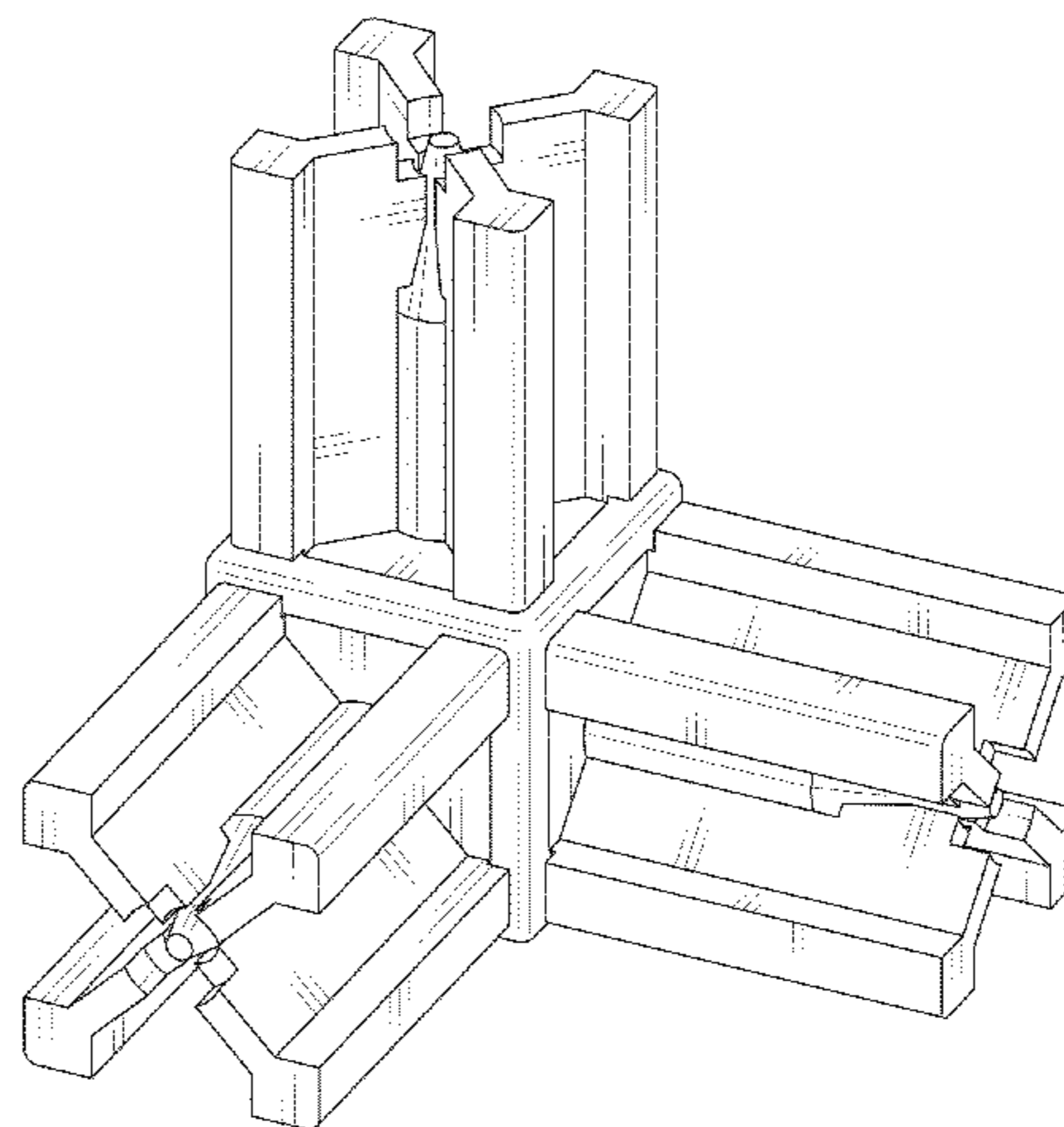
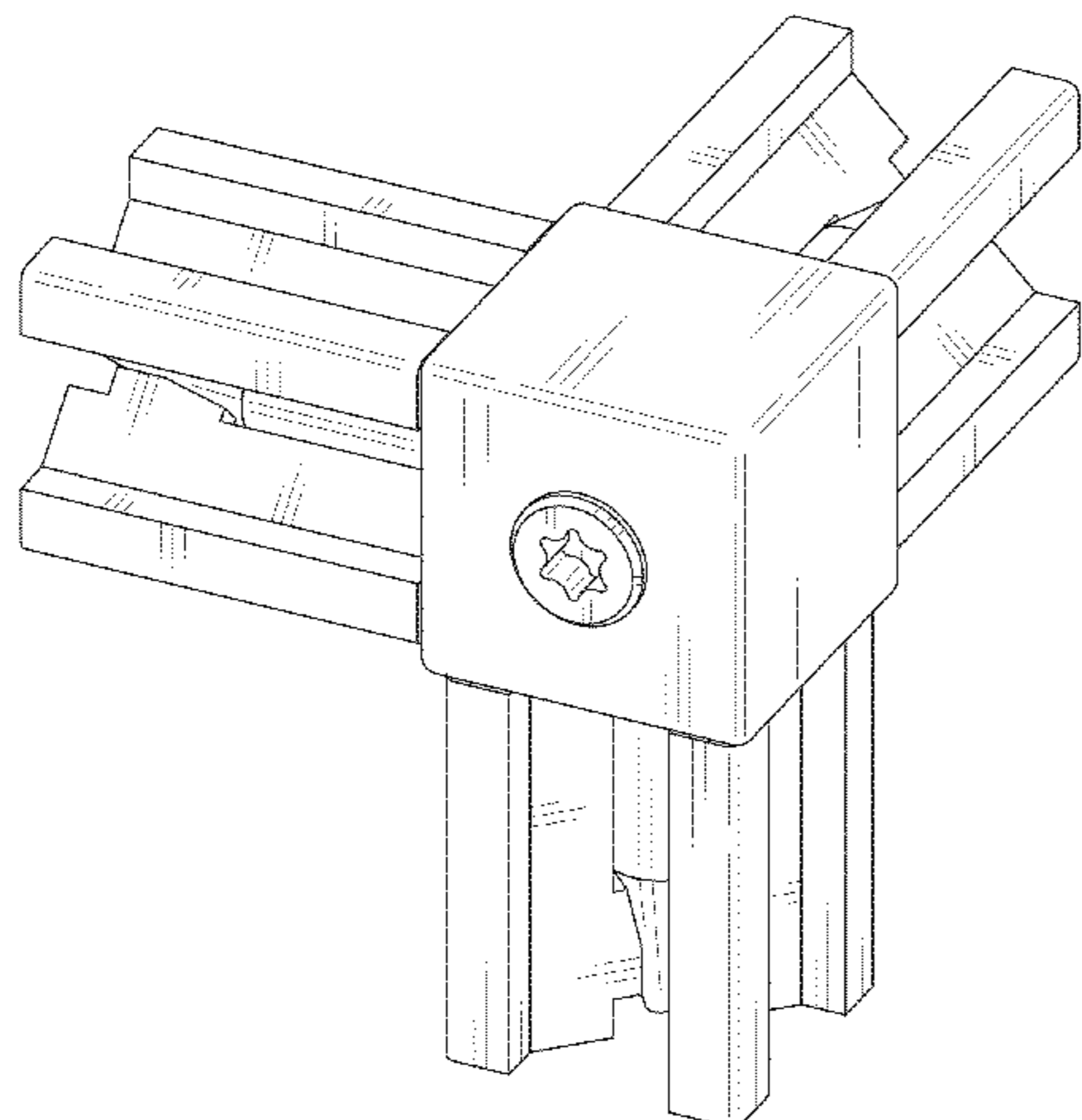
(57) **CLAIM**

The ornamental design for a pipe connector for furniture kits, as shown and described.

DESCRIPTION

FIG. 1 is a front perspective view of a pipe connector for furniture kits, showing my new design;
FIG. 2 is a rear perspective view thereof;
FIG. 3 is a front elevational view thereof;
FIG. 4 is a rear elevational view thereof;
FIG. 5 is a top plan view thereof;
FIG. 6 is a bottom view thereof;
FIG. 7 is a right side view thereof;
FIG. 8 is a left side view thereof;
FIG. 9 is a cross sectional view thereof, taken along the line 9-9 in FIG. 3;
FIG. 10 is a cross sectional view thereof, taken along the line 10-10 in FIG. 3; and,
FIG. 11 is a cross sectional view thereof, taken along the line 11-11 in FIG. 3.
The broken lines shown in FIGS. 9-11 are for environmental purposes only and form no part of the claimed design.

1 Claim, 10 Drawing Sheets



(56)

References Cited

OTHER PUBLICATIONS

T-Slot Framing, 80/20 Inc., The Industrial Erector Set, [online], [retrieved on Aug. 21, 2014]. Retrieved from the Internet <URL: <http://www.8020.net/T-Slot-1.asp>>.*

Aluminum Extrusions System created for engineers by engineers, Valuframe—The Economy Aluminum Profile System, [online], [retrieved on Aug. 21, 2014]. Retrieved from the Internet <URL: <http://www.valuframe.co.uk/>>.*

* cited by examiner

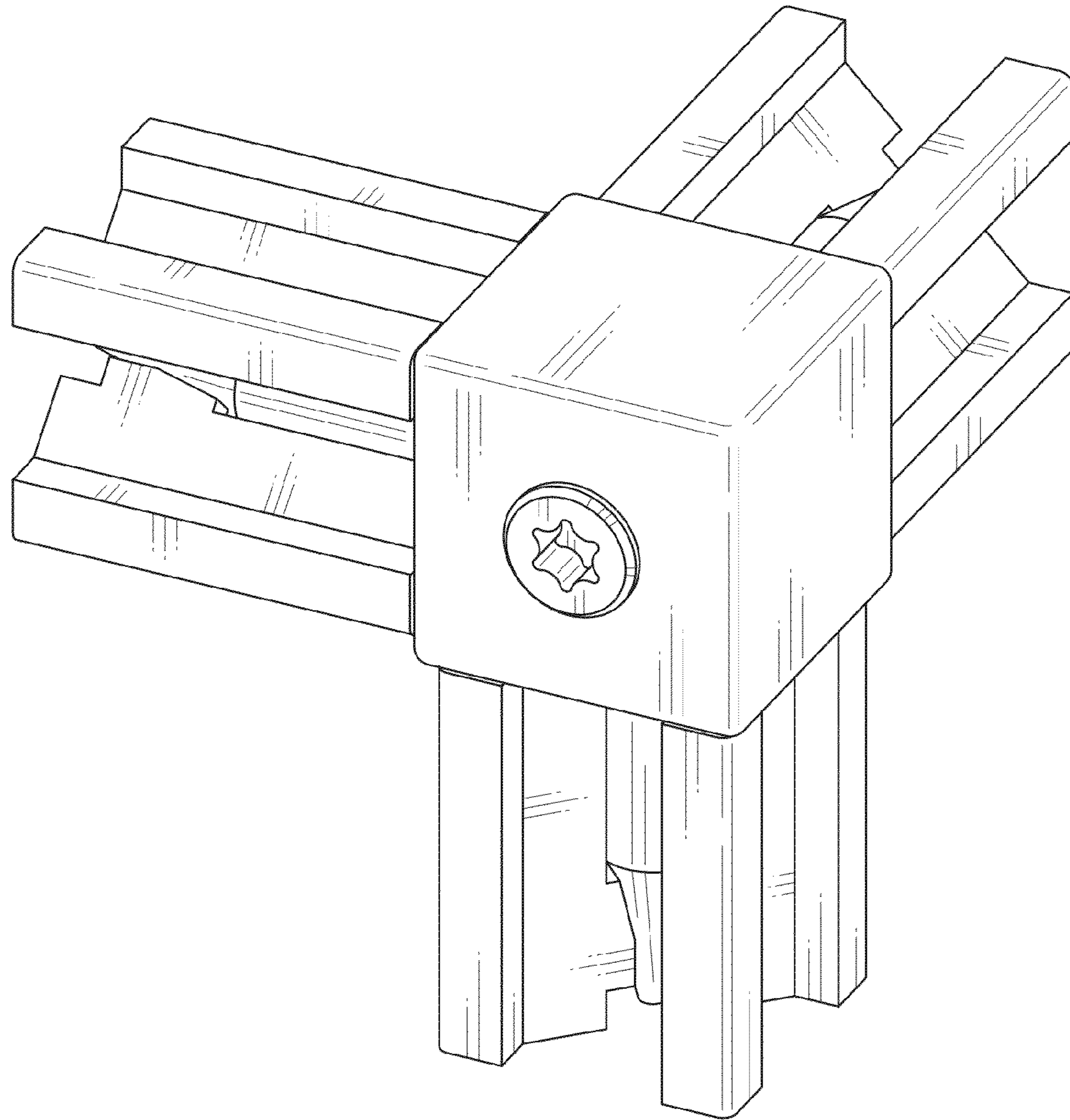


Fig. 1

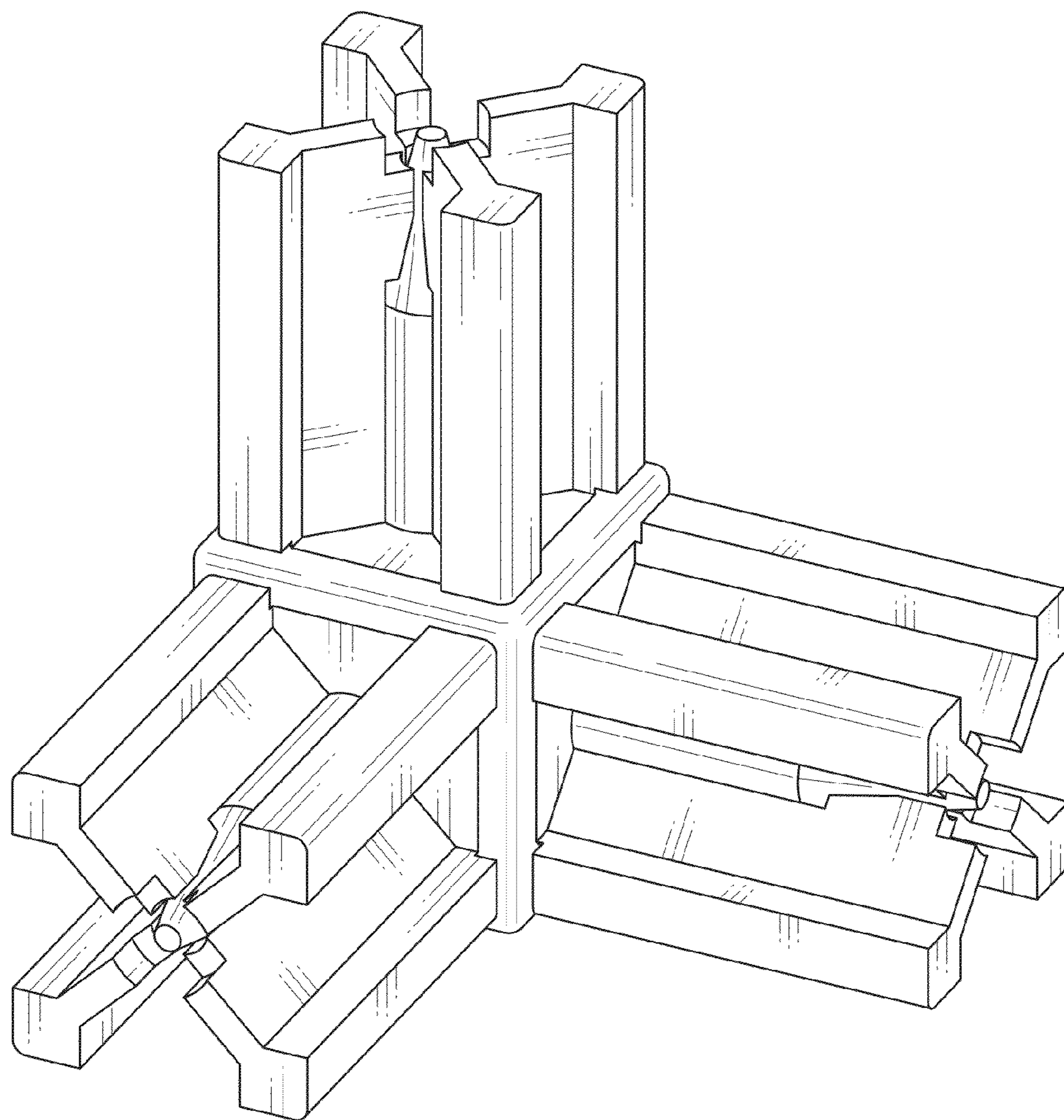


Fig. 2

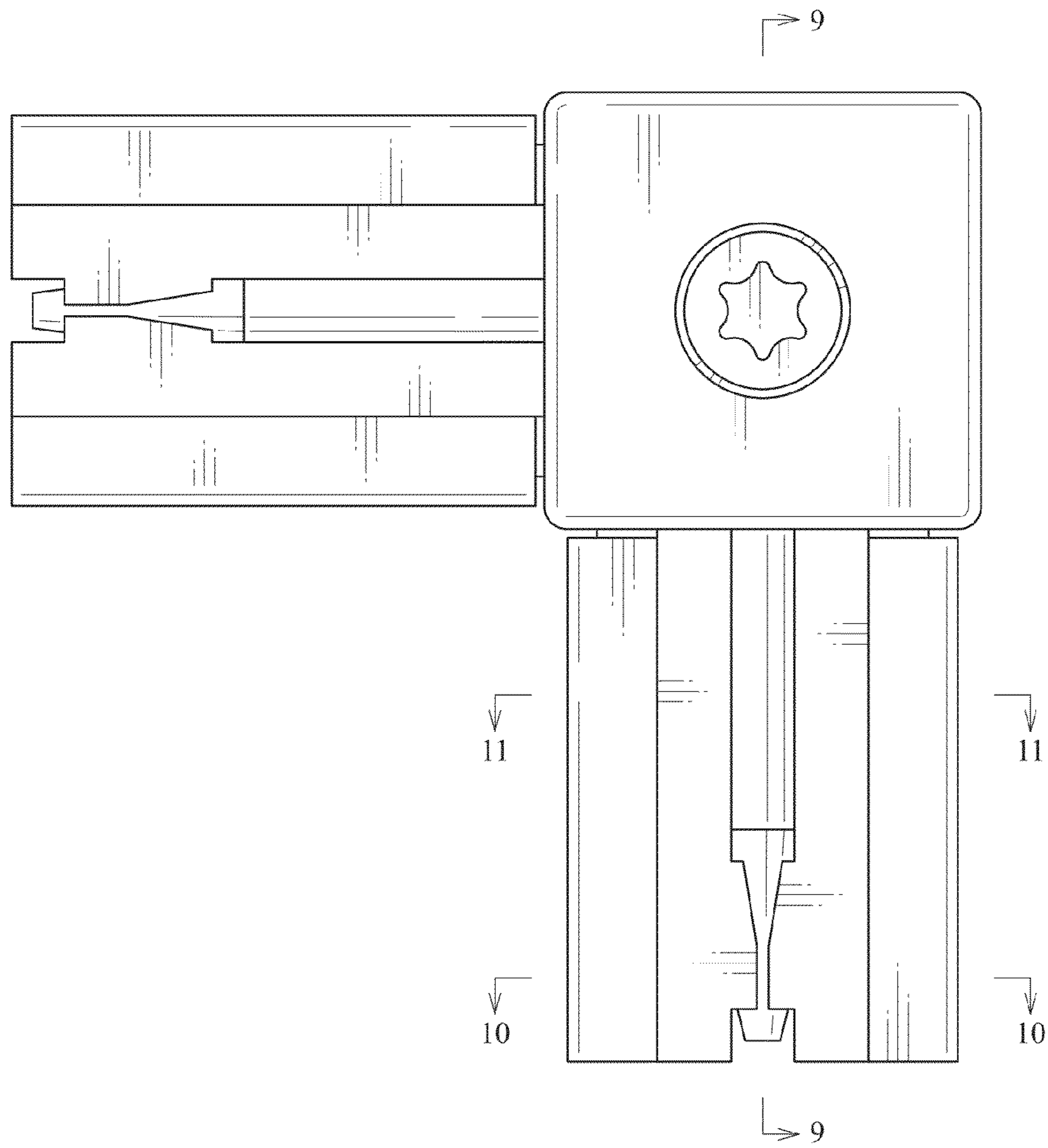


Fig. 3

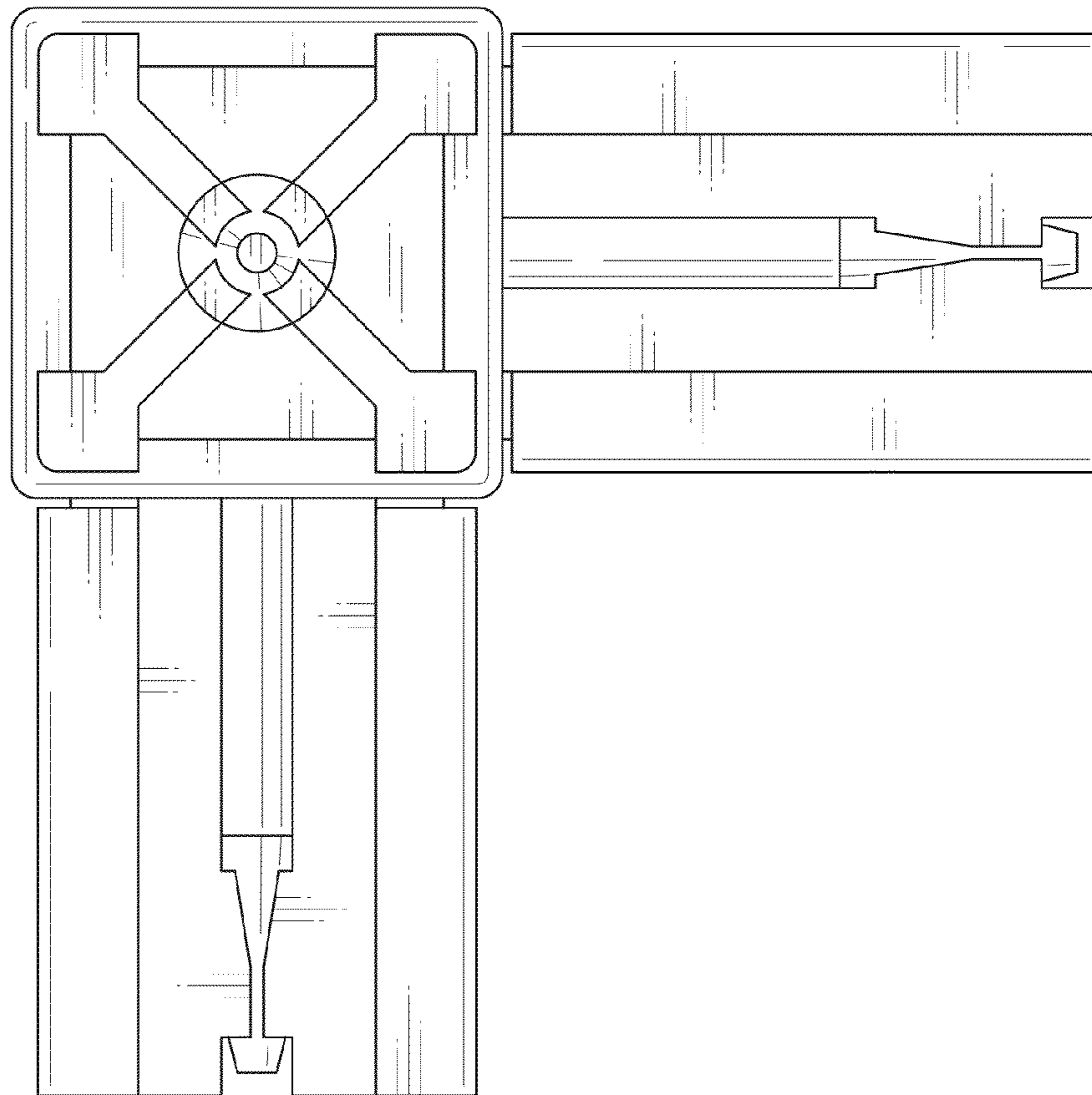


Fig. 4

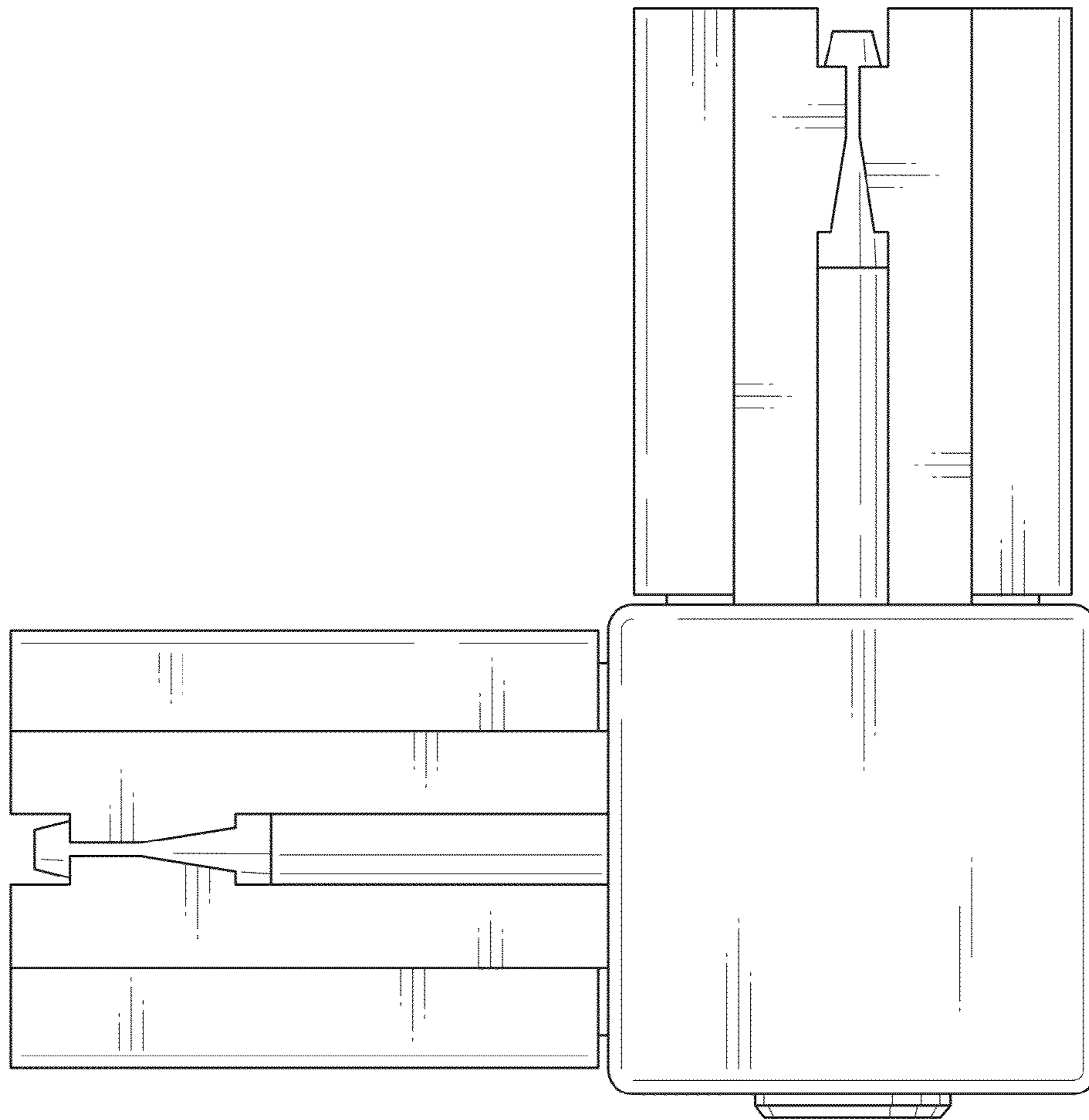


Fig. 5

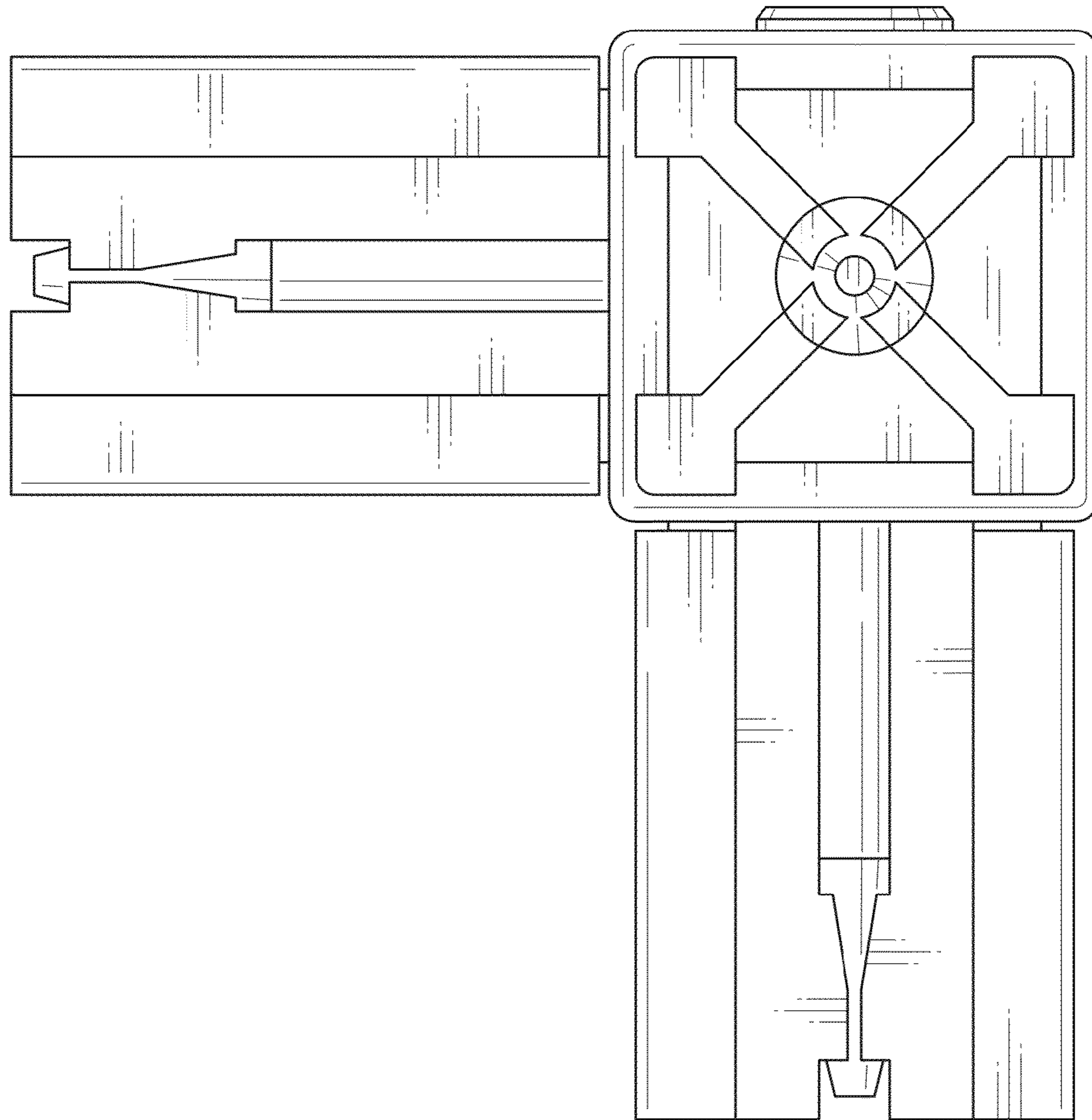


Fig. 6

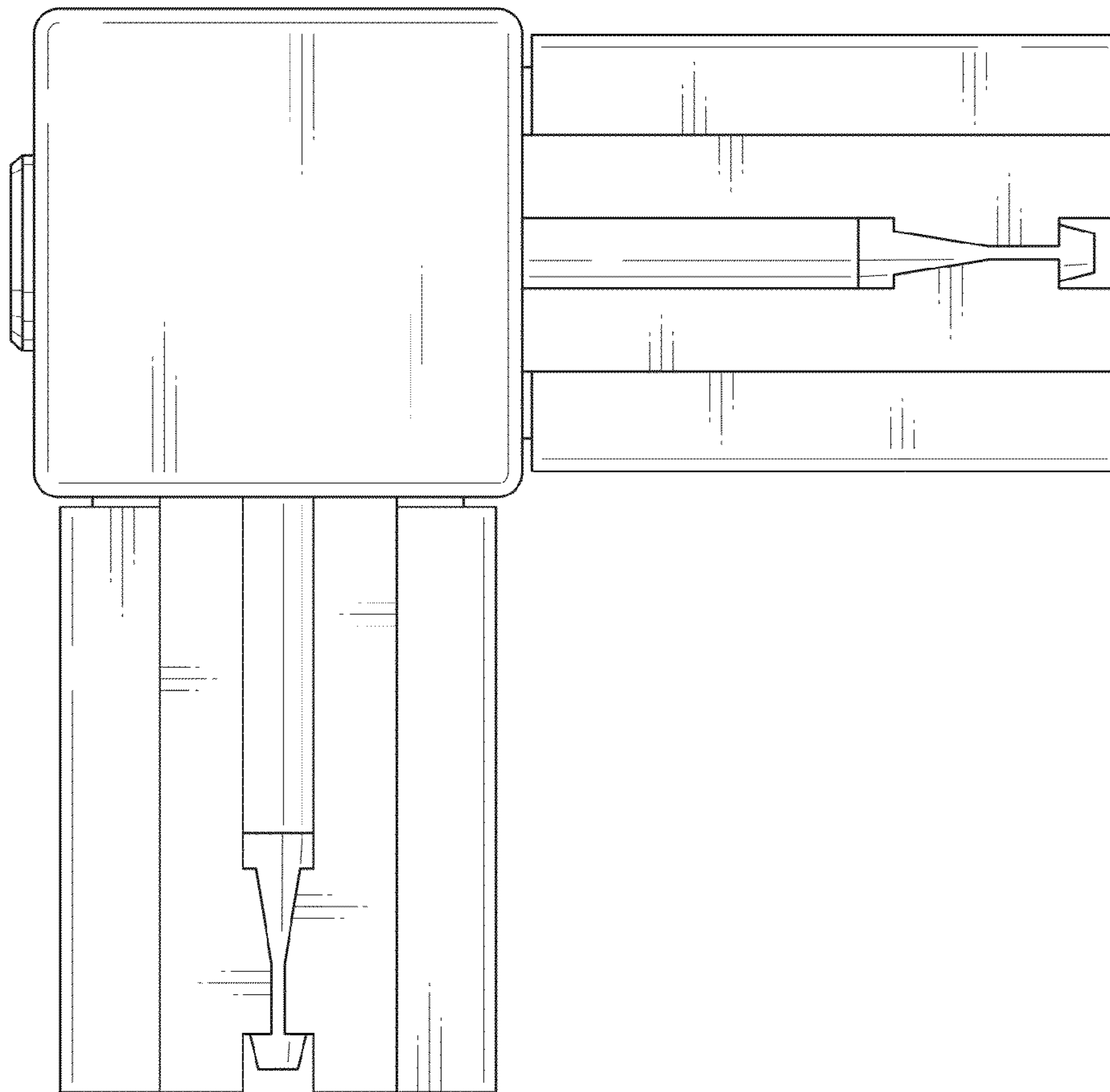


Fig. 7

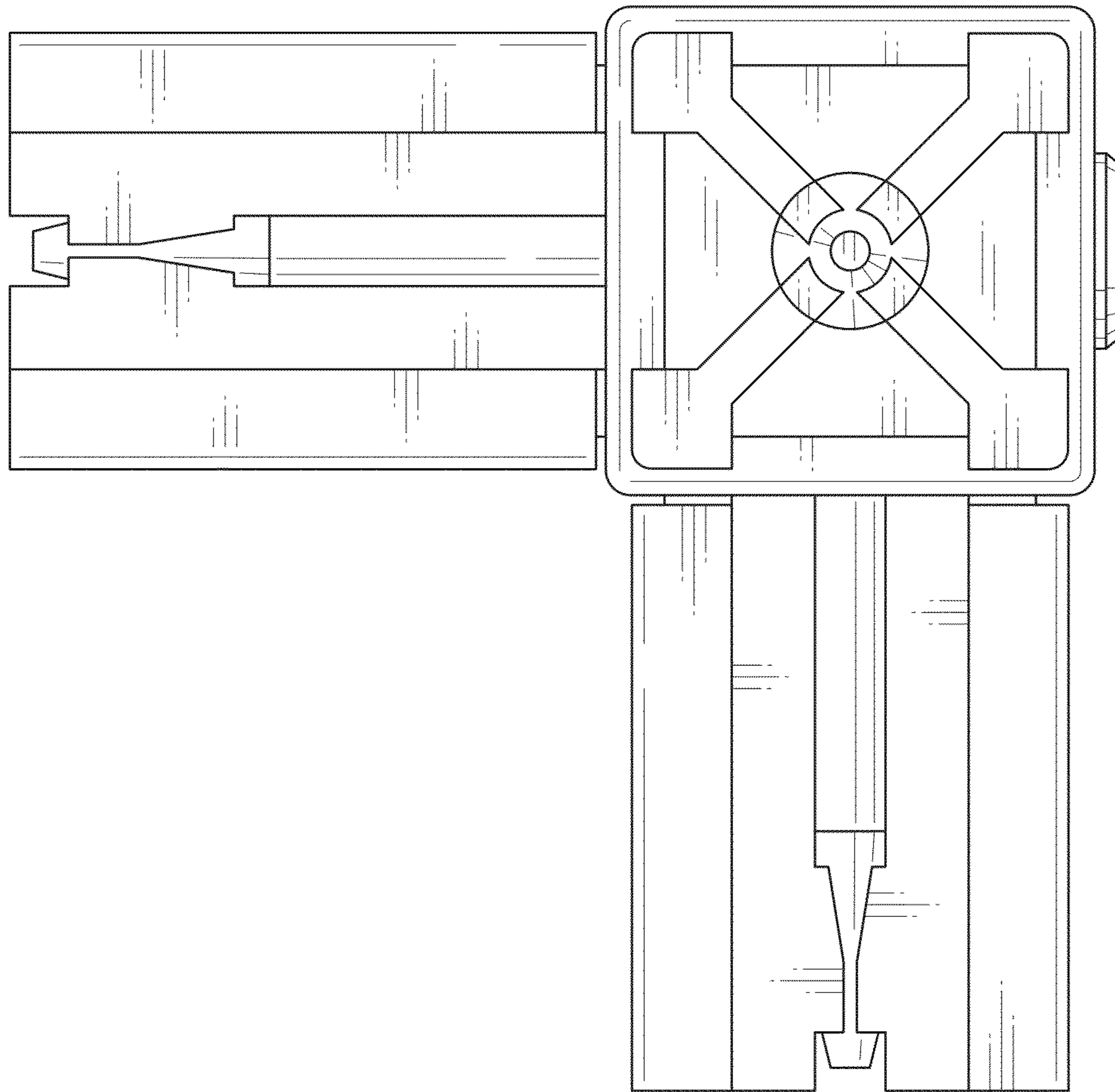


Fig. 8

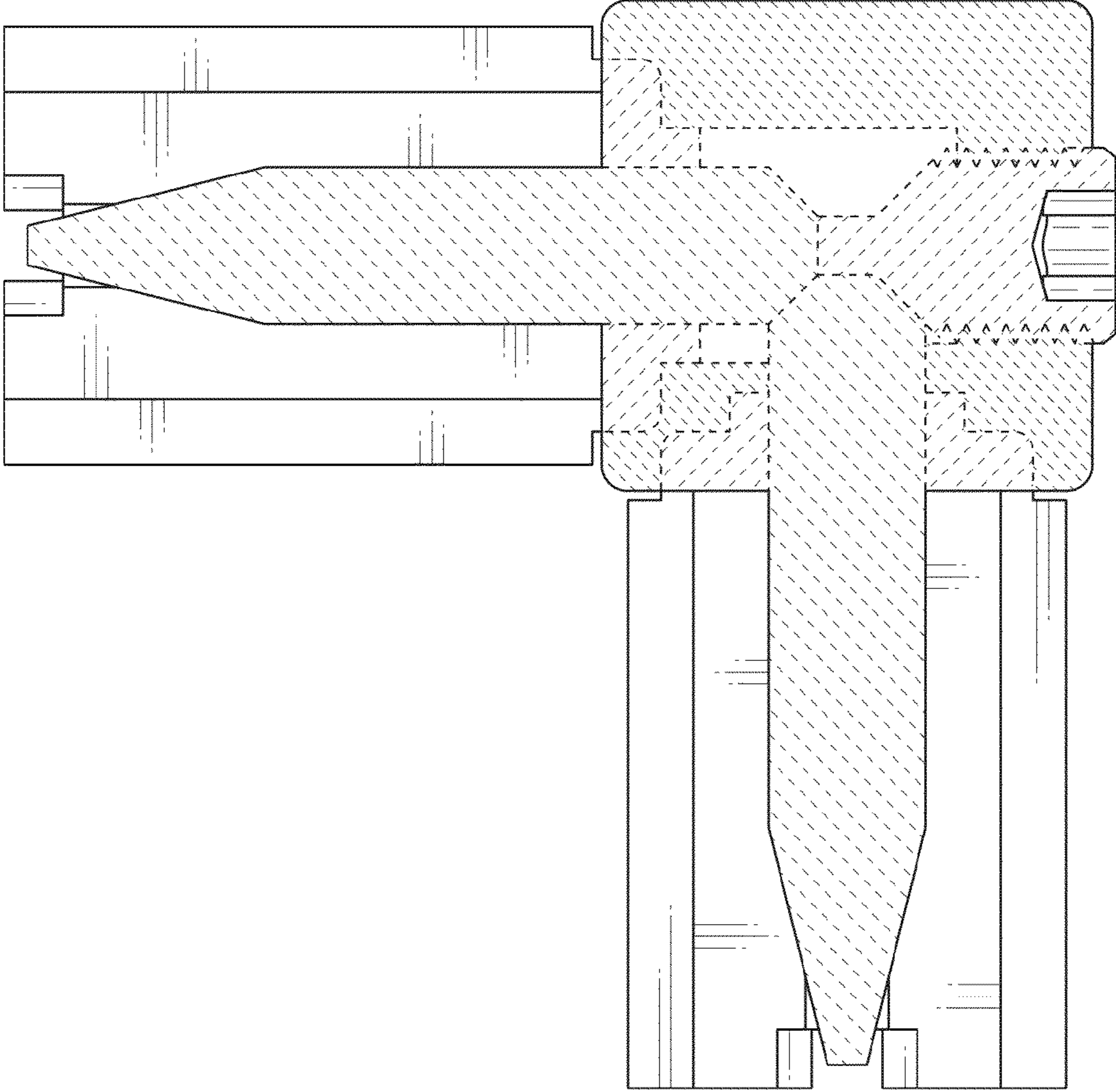


Fig. 9

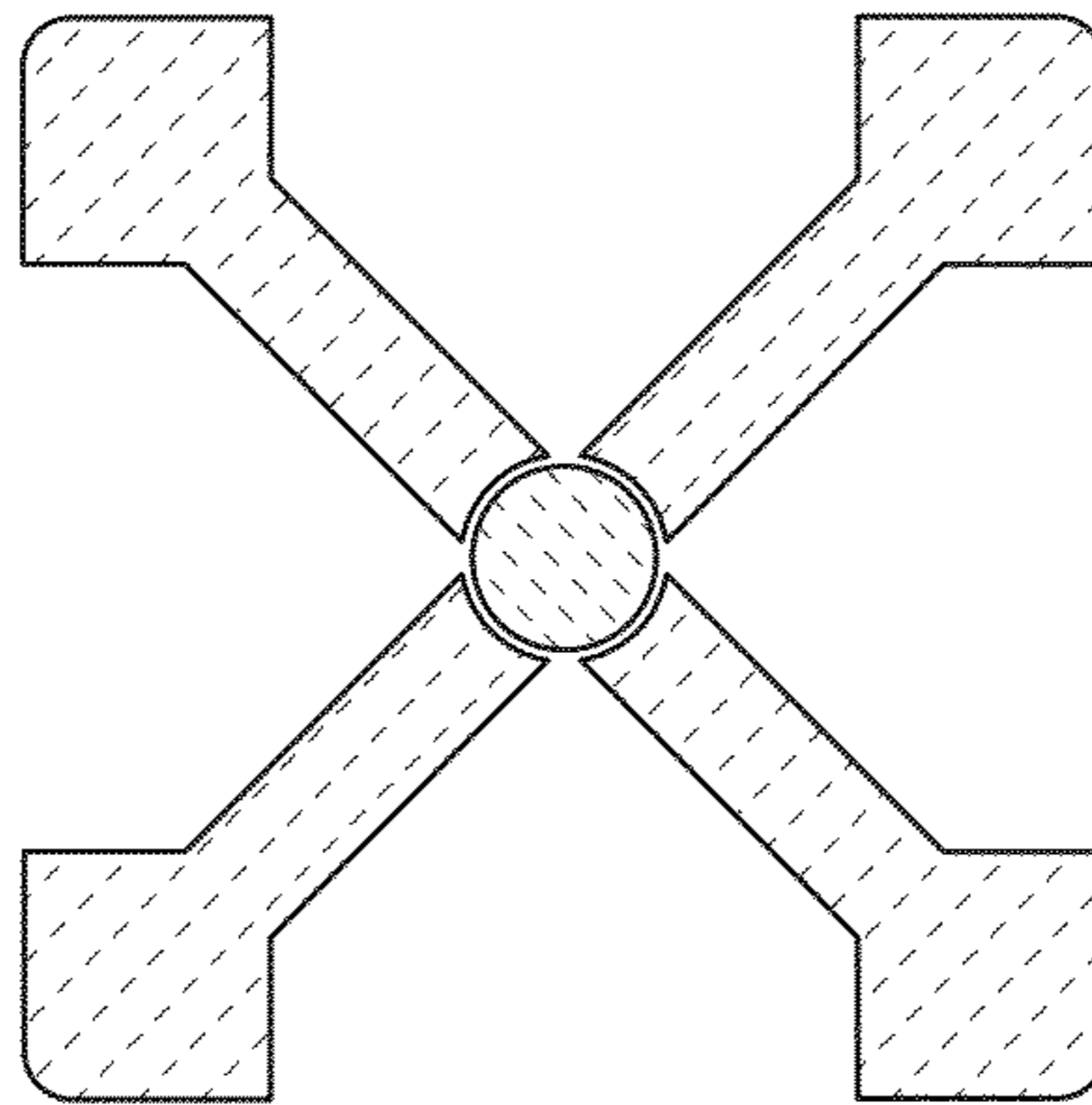


Fig. 10

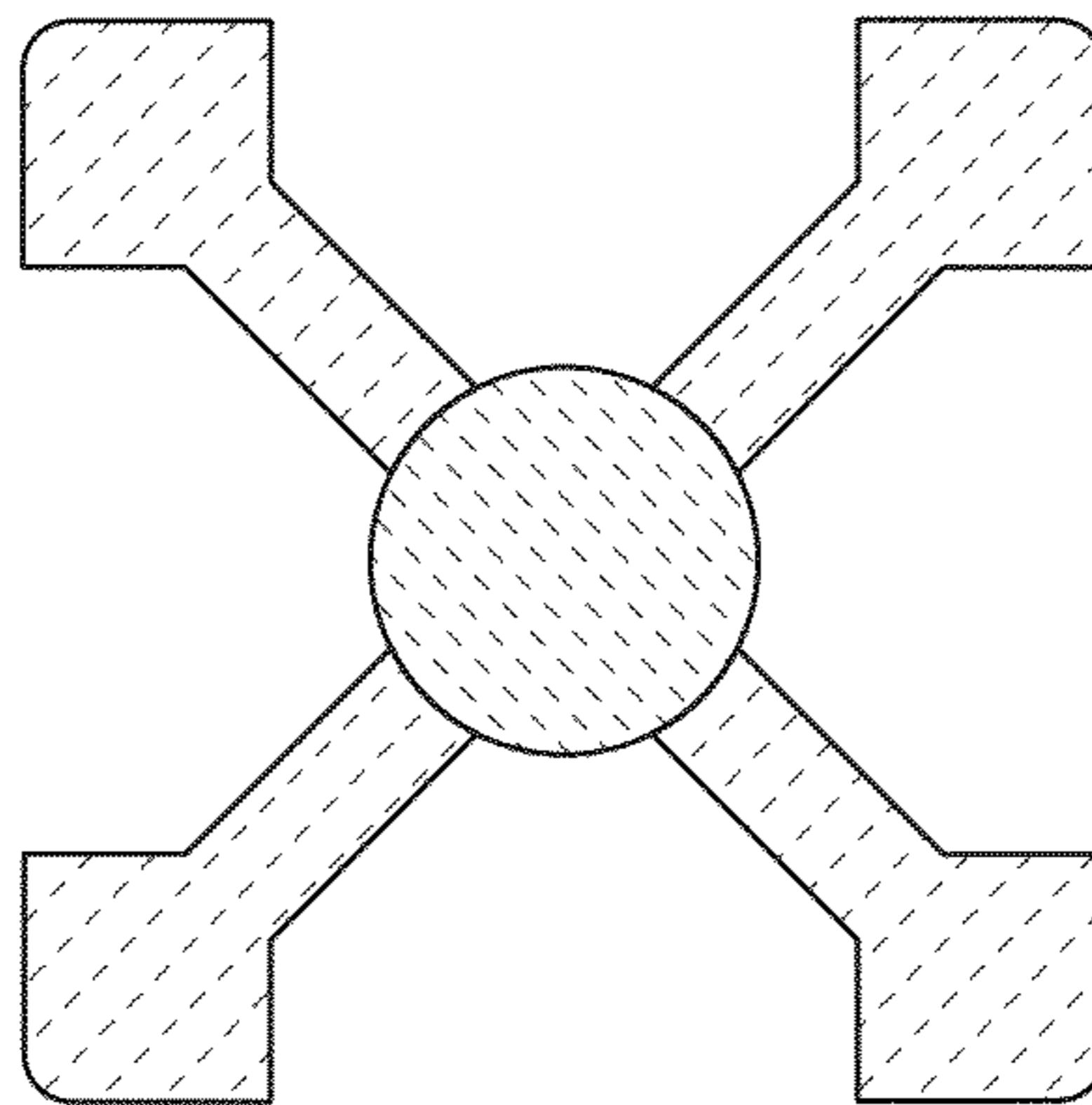


Fig. 11