



US00D720605S

(12) **United States Design Patent**
McGrath

(10) **Patent No.:** **US D720,605 S**
(45) **Date of Patent:** **** Jan. 6, 2015**

(54) **ADJUSTABLE BRACKET**

(71) Applicant: **Andrew H. McGrath**, Concord, CA
(US)

(72) Inventor: **Andrew H. McGrath**, Concord, CA
(US)

(**) Term: **14 Years**

(21) Appl. No.: **29/446,049**

(22) Filed: **Feb. 20, 2013**

(51) **LOC (10) Cl.** **08-05**

(52) **U.S. Cl.**
USPC **D8/355**

(58) **Field of Classification Search**
USPC D8/349, 354, 355, 363, 373, 394, 333,
D8/300, 381; D12/115; 248/161, 158, 176,
248/274, 298, 499-500, 551, 680, 251,
248/309.1, 309.2, 300, 201, 218.4, 200,
248/140, 227.4, 475.1, 477, 488, 235, 250,
248/28.11, 289.11, 291.1, 398, 515, 205.1;
40/606, 612, 607.14, 607.12;
211/17-24, 90.01, 88.01, 88.02, 88.03,
211/87.01, 119.003; 24/455

See application file for complete search history.

(56) **References Cited**

U.S. PATENT DOCUMENTS

3,096,110	A *	7/1963	Cantor	403/385
3,887,291	A *	6/1975	Langren	403/391
4,547,092	A *	10/1985	Vetter et al.	403/59
4,729,535	A *	3/1988	Frazier et al.	248/230.4
4,821,382	A *	4/1989	Puschkarski	24/298
D306,396	S *	3/1990	Brushaber	D8/355
5,002,247	A *	3/1991	Dispenza et al.	248/188
5,082,334	A *	1/1992	Beyer et al.	312/140.4
D330,555	S *	10/1992	Lilly	D14/238

(Continued)

Primary Examiner — Mark Goodwin

(74) *Attorney, Agent, or Firm* — Charles L. Thoeming

(57) **CLAIM**

The ornamental design for an adjustable bracket, as shown and described.

DESCRIPTION

FIG. 1 is a perspective view of a first embodiment of adjustable bracket showing my new design.

FIG. 2 is a right side orthogonal view of the adjustable bracket of FIG. 1.

FIG. 3 is a left side orthogonal view of the adjustable bracket of FIG. 1.

FIG. 4 is a front orthogonal view of the adjustable bracket of FIG. 1.

FIG. 5 is a rear orthogonal view of the adjustable bracket of FIG. 1.

FIG. 6 is a top orthogonal view of the adjustable bracket of FIG. 1; a bottom orthogonal view of the adjustable bracket of FIG. 1 is the mirror image of FIG. 6.

FIG. 7 is a perspective view of FIG. 1 in a sneeze guard environment. The broken lines showing of a partial vertical elongated support is for illustrative purposes only and forms no part of the claimed design.

FIG. 8 is a perspective view of a second embodiment of adjustable bracket showing my new design.

FIG. 9 is a right side orthogonal view of the adjustable bracket of FIG. 8.

FIG. 10 is a left side orthogonal view of the adjustable bracket of FIG. 8.

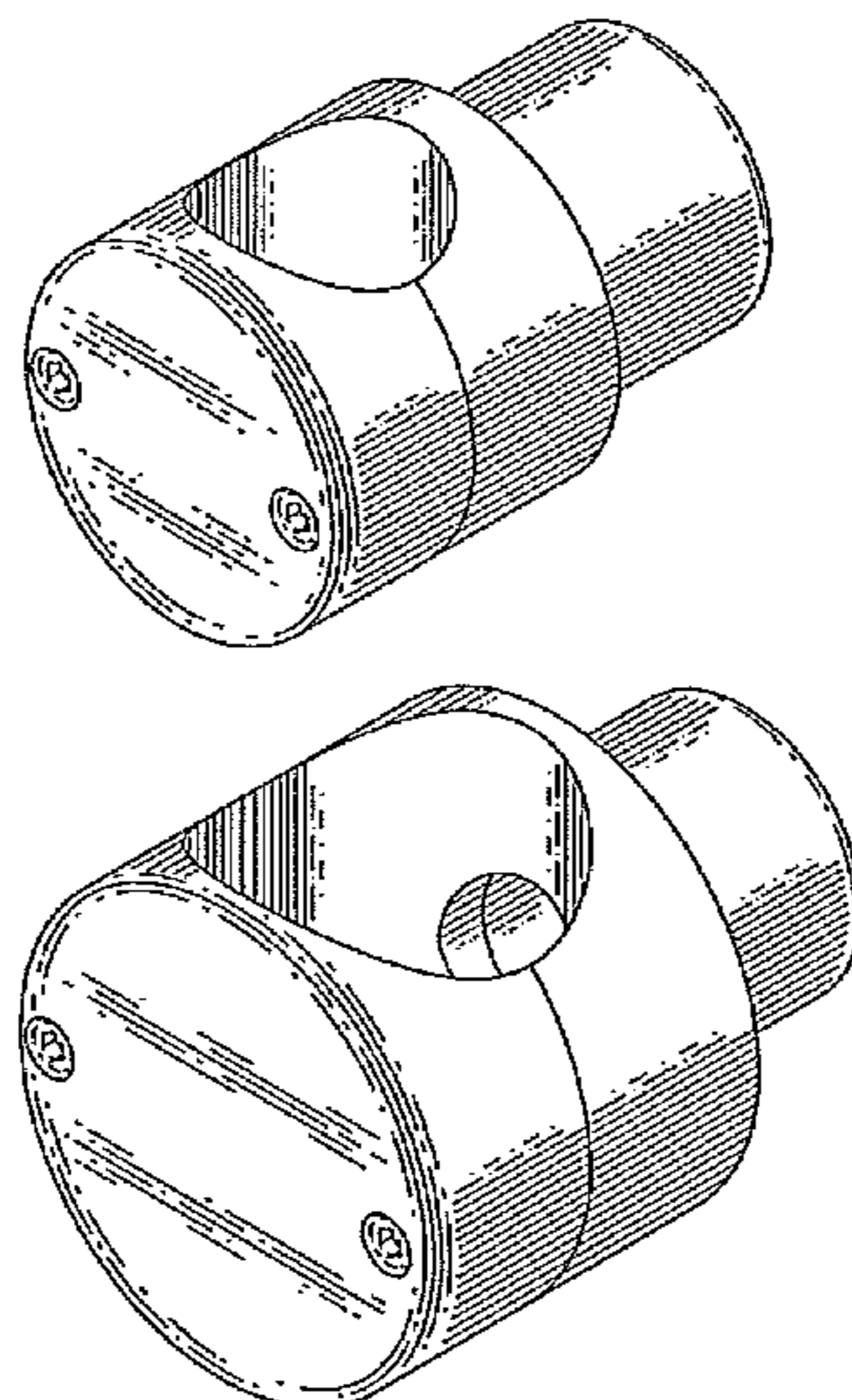
FIG. 11 is a front orthogonal view of the adjustable bracket of FIG. 8.

FIG. 12 is a rear orthogonal view of the adjustable bracket of FIG. 8.

FIG. 13 is a top orthogonal view of the adjustable bracket of FIG. 8; a bottom orthogonal view of the adjustable bracket of FIG. 8 is the mirror image of FIG. 6; and,

FIG. 14 is a perspective view of FIG. 8 in a sneeze guard environment. The broken lines showing of a partial vertical elongated support is for illustrative purposes only and forms no part of the claimed design.

1 Claim, 2 Drawing Sheets



(56)

References Cited

U.S. PATENT DOCUMENTS

D332,497	S *	1/1993	Shufelt	D24/232				
5,199,680	A *	4/1993	Rivera	248/441.1				
D337,462	S *	7/1993	LaVaute et al.	D6/491				
5,259,582	A *	11/1993	DeLange, III	248/481				
5,409,122	A *	4/1995	Lazarus	211/186				
5,449,138	A *	9/1995	Ciancio	248/123.2				
5,566,911	A *	10/1996	Hoshino	248/124.1				
5,584,545	A *	12/1996	LaVaute et al.	312/140.4				
5,589,903	A *	12/1996	Speggiorin	396/428				
D377,429	S *	1/1997	Olson	D6/491				
5,681,017	A *	10/1997	Clausen	248/125.1				
5,704,232	A *	1/1998	Kuo	70/233				
5,704,581	A *	1/1998	Chen	248/371				
5,735,499	A *	4/1998	Phillips et al.	248/230.1				
5,746,334	A *	5/1998	Brandenberg	211/205				
5,775,652	A *	7/1998	Crawshaw et al.	248/230.6				
5,823,102	A *	10/1998	Will	99/645				
5,826,850	A *	10/1998	Goldsmith	248/415				
5,887,314	A *	3/1999	Jordan, Jr.	16/405				
5,974,984	A *	11/1999	Mitjans	108/150				
6,010,017	A *	1/2000	Michaelis et al.	211/133.4				
D427,460	S *	7/2000	McGrath	D6/491				
6,093,878	A *	7/2000	Hoshino	84/421				
6,132,018	A *	10/2000	McGrath	312/140.4				
D439,135	S *	3/2001	Elmer	D8/349				
6,328,269	B1 *	12/2001	Krautloher	248/288.11				
D467,790	S *	12/2002	Roberts et al.	D8/356				
6,558,863	B2 *	5/2003	Rokutanzone et al.	430/58.7				
6,588,863	B1 *	7/2003	Yatchak et al.	312/140.4				
D480,298	S *	10/2003	Skovronski et al.	D8/396				
D493,363	S *	7/2004	Eason	D8/396				
D499,954	S *	12/2004	Brushaber	D8/355				
D503,333	S *	3/2005	Ledingham	D8/394				
7,191,988	B2 *	3/2007	Kim et al.	248/68.1				
7,300,030	B2 *	11/2007	Michalo et al.	248/309.1				
D558,027	S *	12/2007	Lanz	D8/355				
D570,176	S *	6/2008	Franchini	D8/71				
7,458,475	B2 *	12/2008	Ho	211/85.23				
D617,729	S *	6/2010	McGrath	D12/607				
D625,170	S *	10/2010	McGrath	D8/355				
D625,984	S *	10/2010	McGrath	D8/355				
D636,658	S *	4/2011	McGrath	D8/355				
D659,517	S *	5/2012	McGrath	D8/355				
D690,190	S *	9/2013	McGrath	D8/394				
D699,546	S *	2/2014	McGrath	D8/354				
D714,130	S *	9/2014	Kao et al.	D8/377				
2007/0236112	A1 *	10/2007	Williman	312/140.4				

* cited by examiner

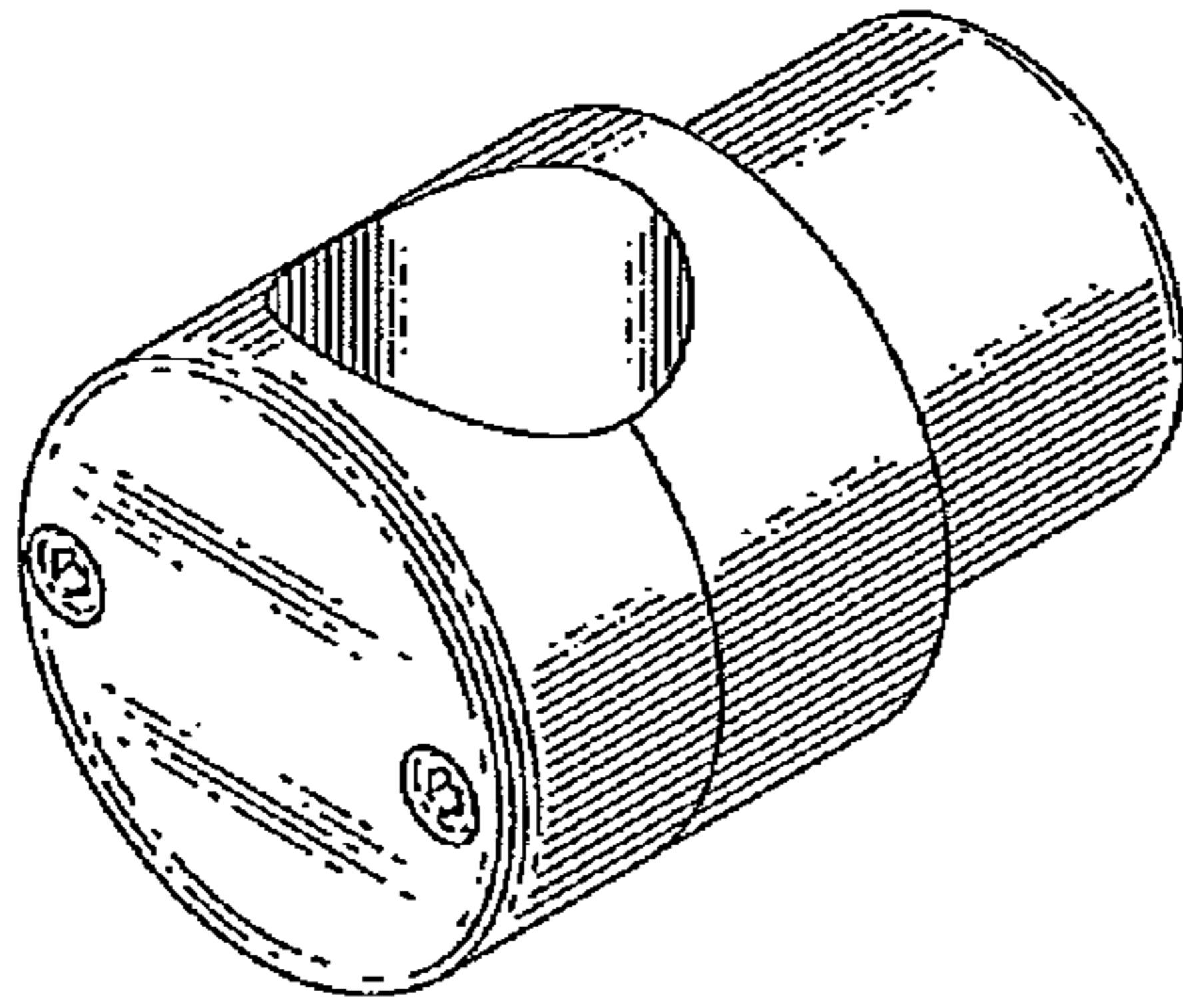


Fig. 1

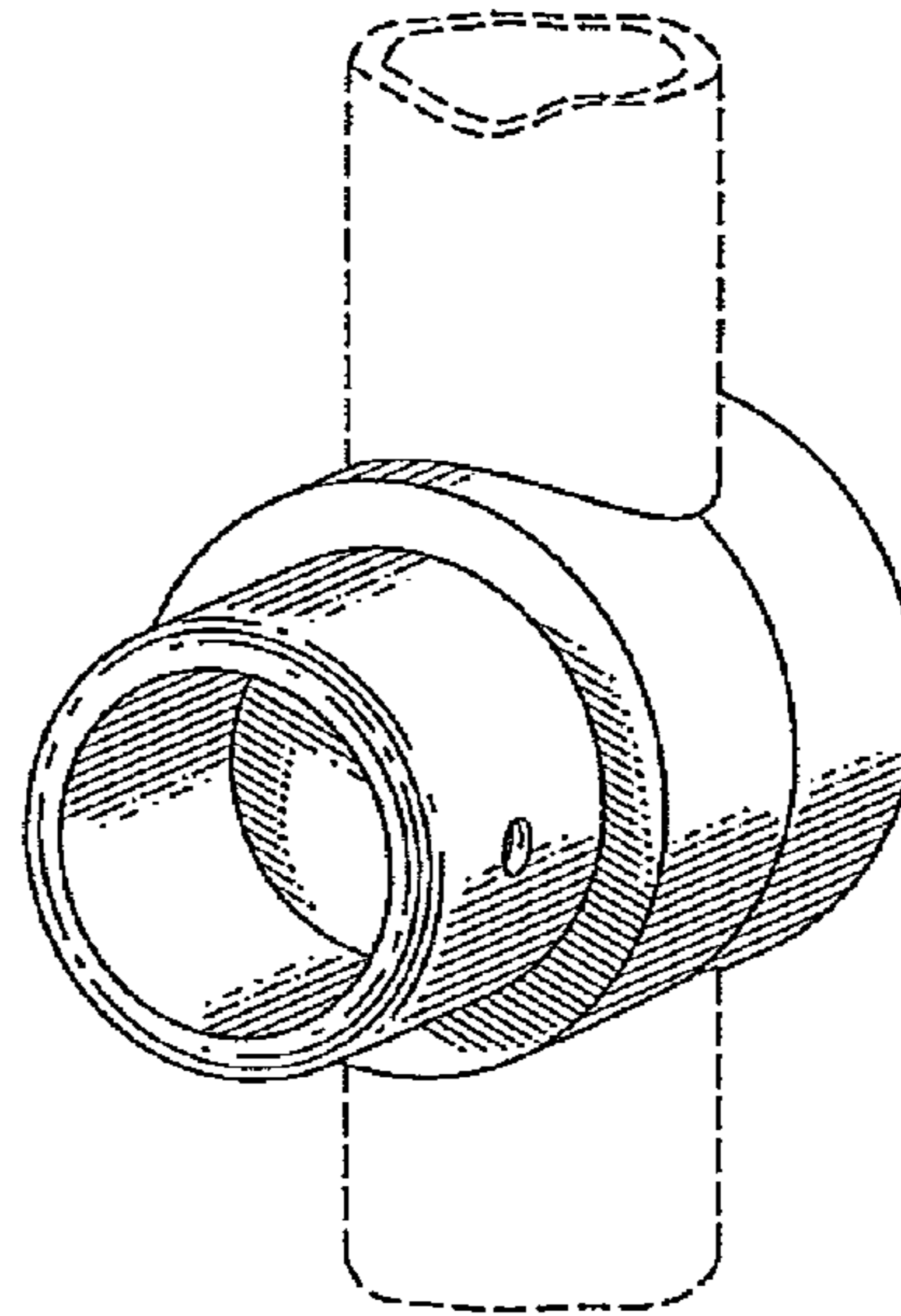


Fig. 7

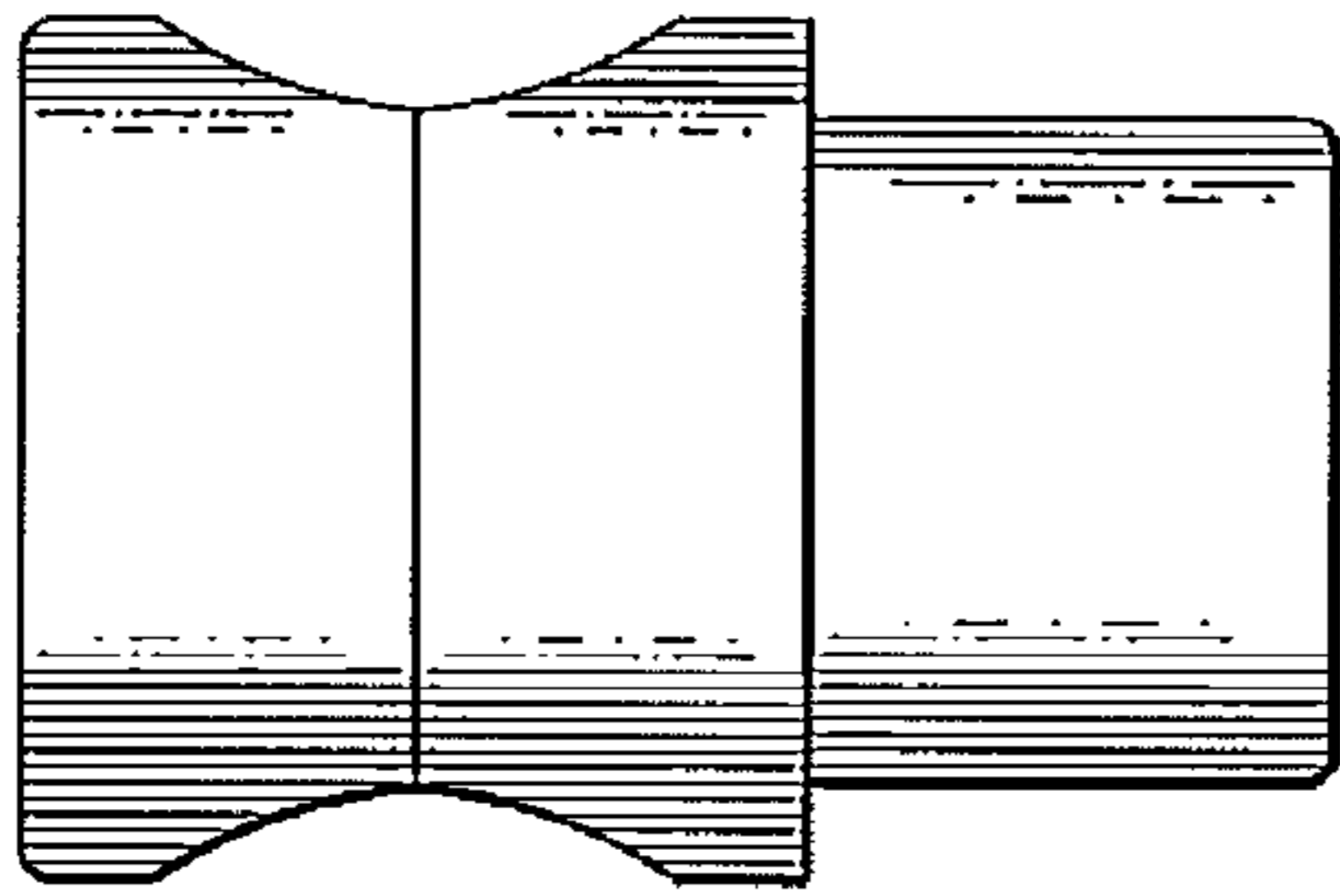


Fig. 2

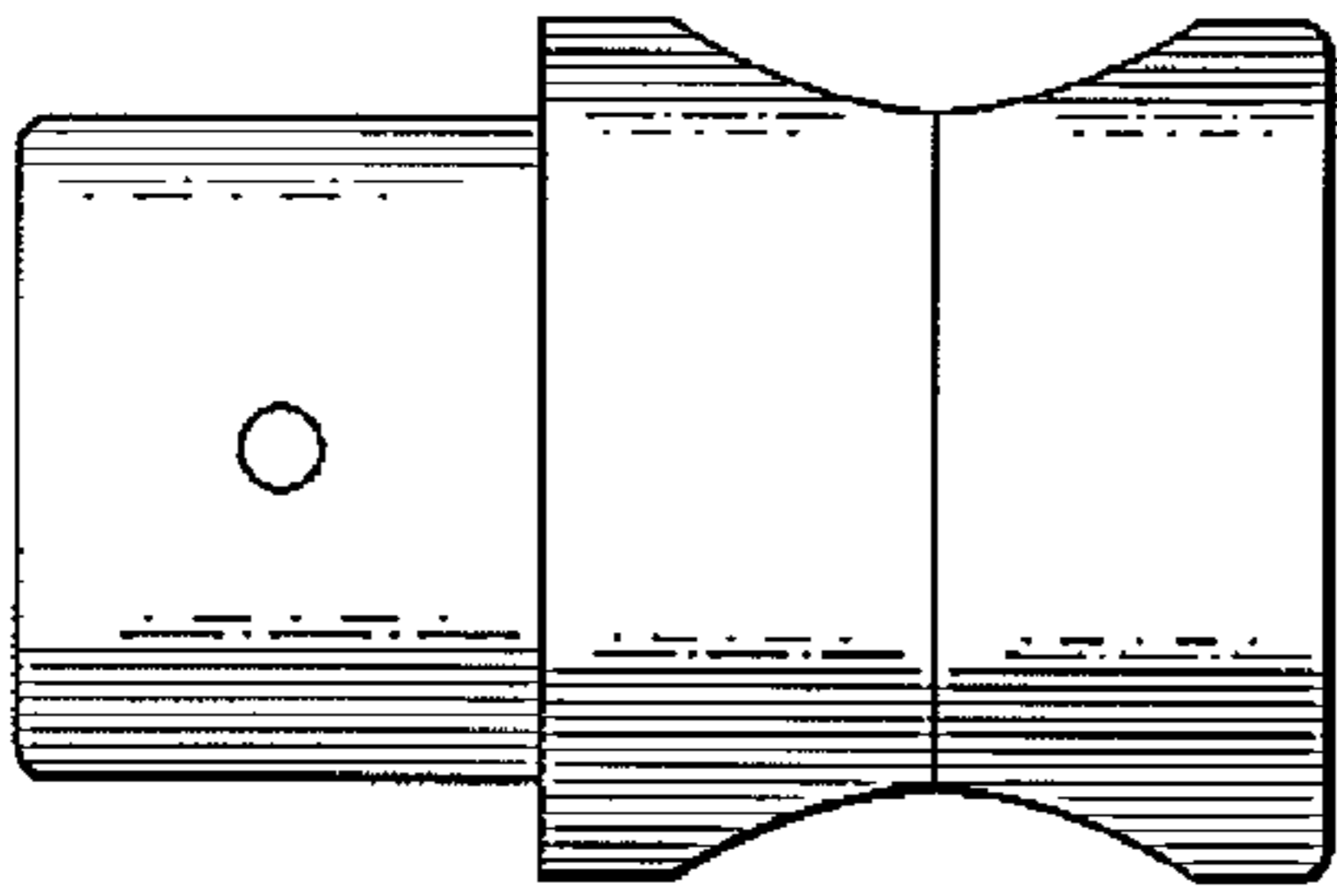


Fig. 3

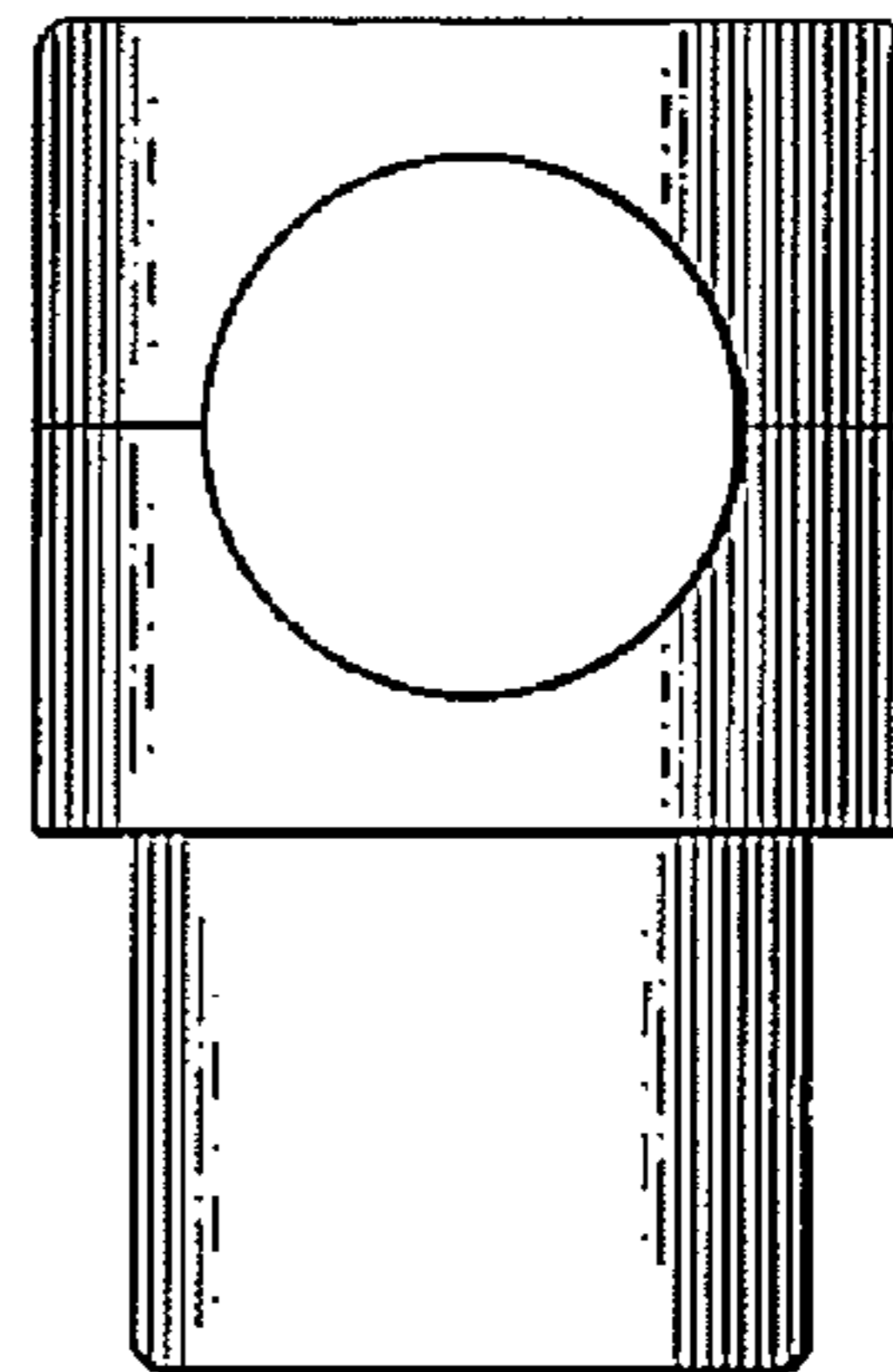


Fig. 5

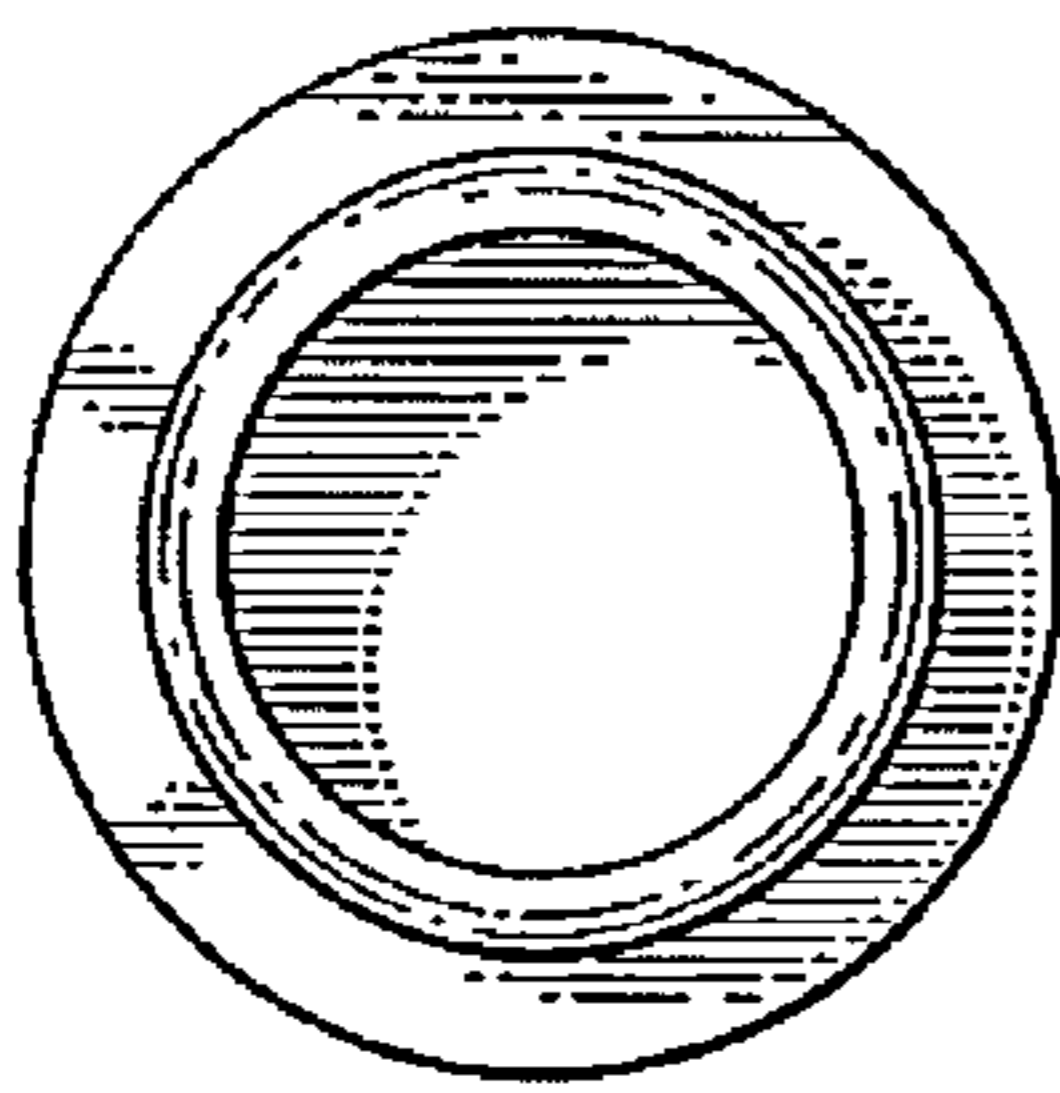


Fig. 4

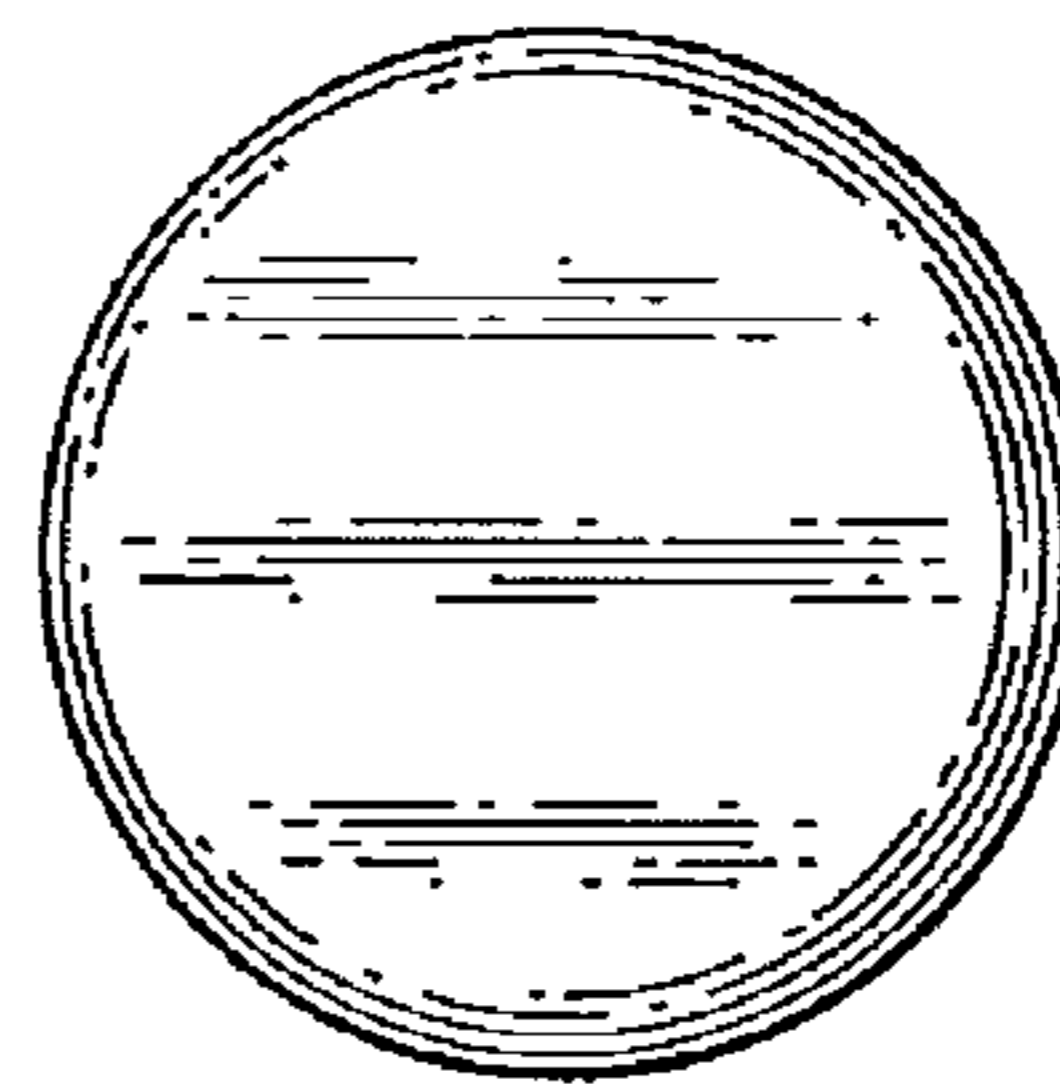


Fig. 6

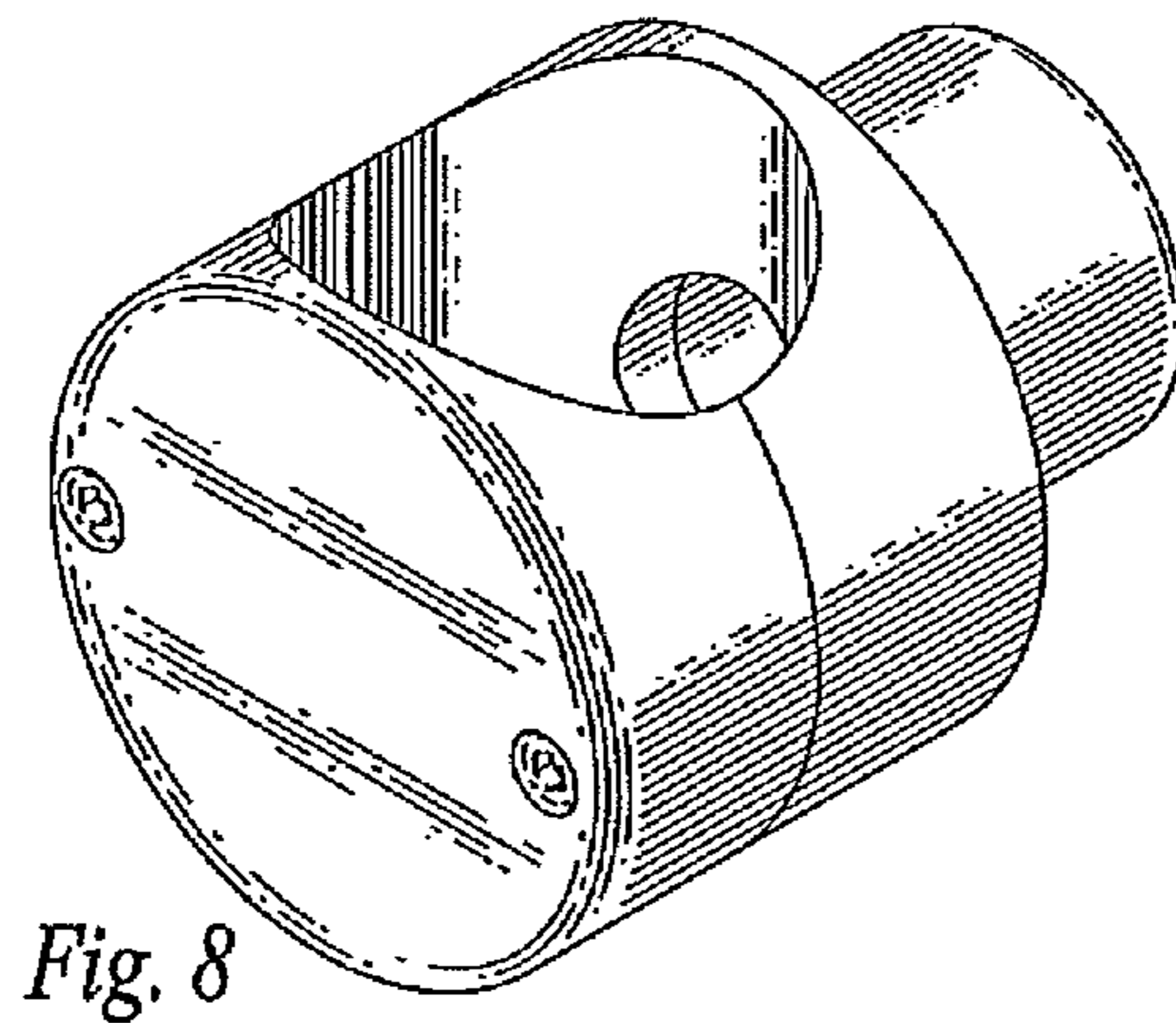


Fig. 8

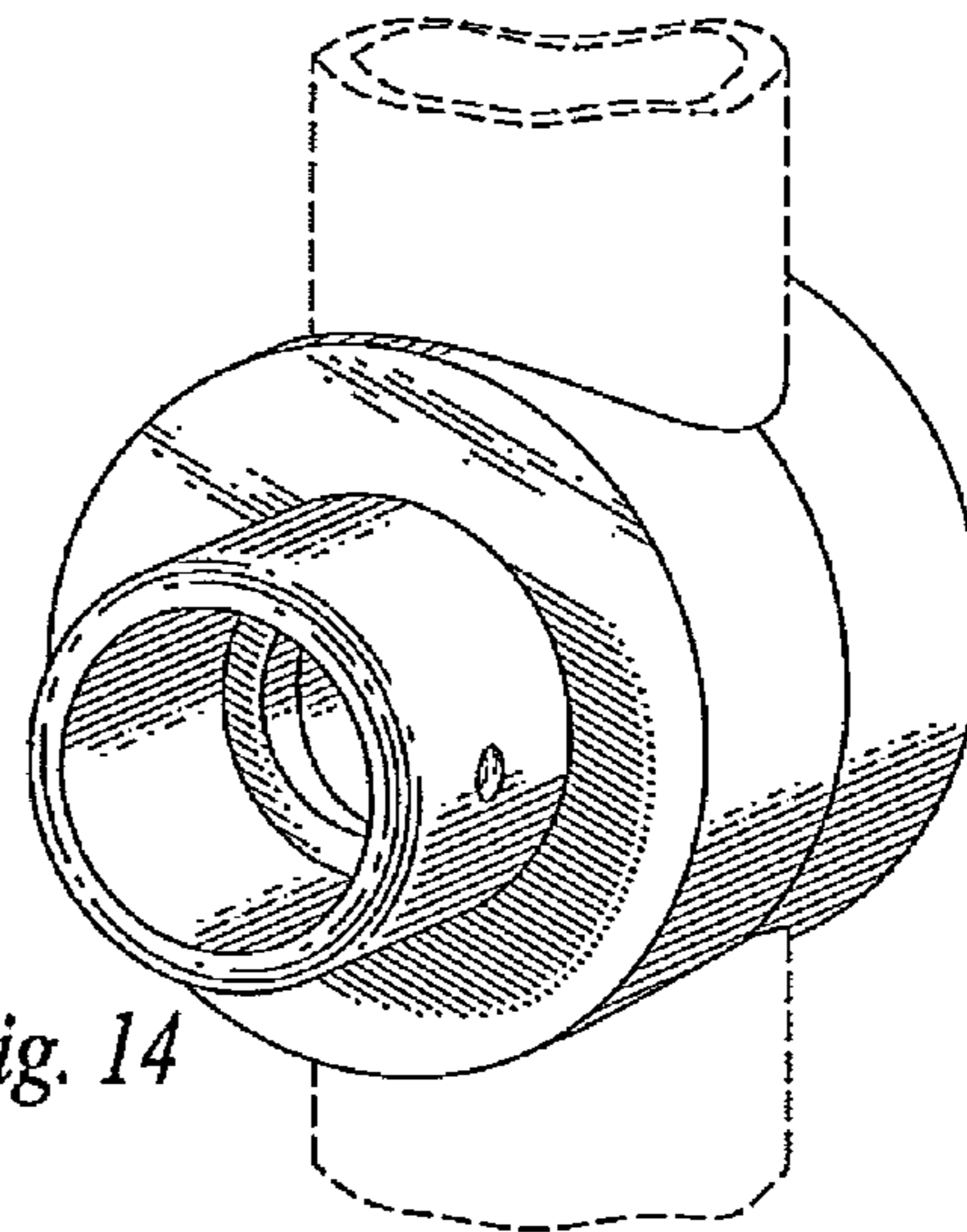


Fig. 14

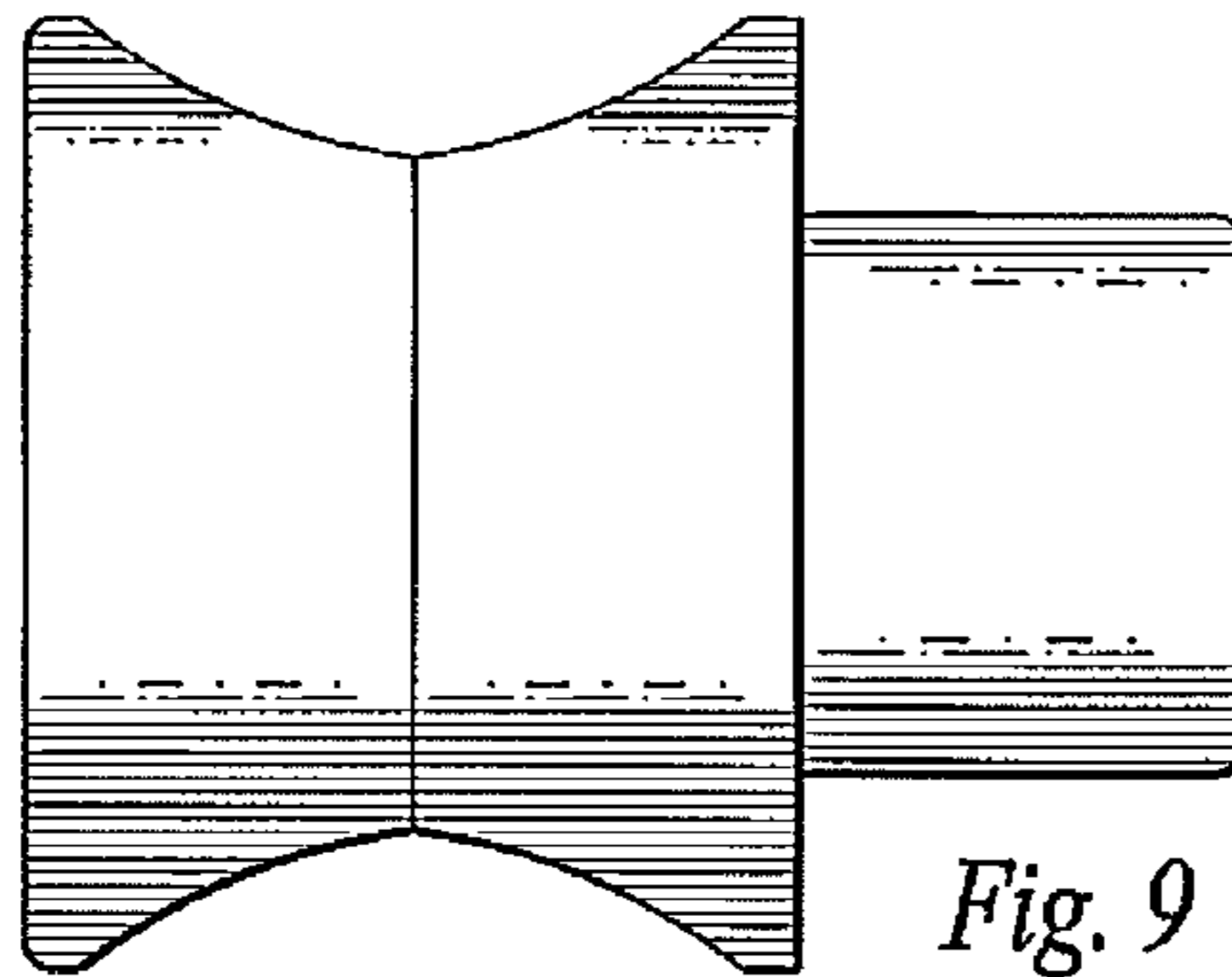


Fig. 9

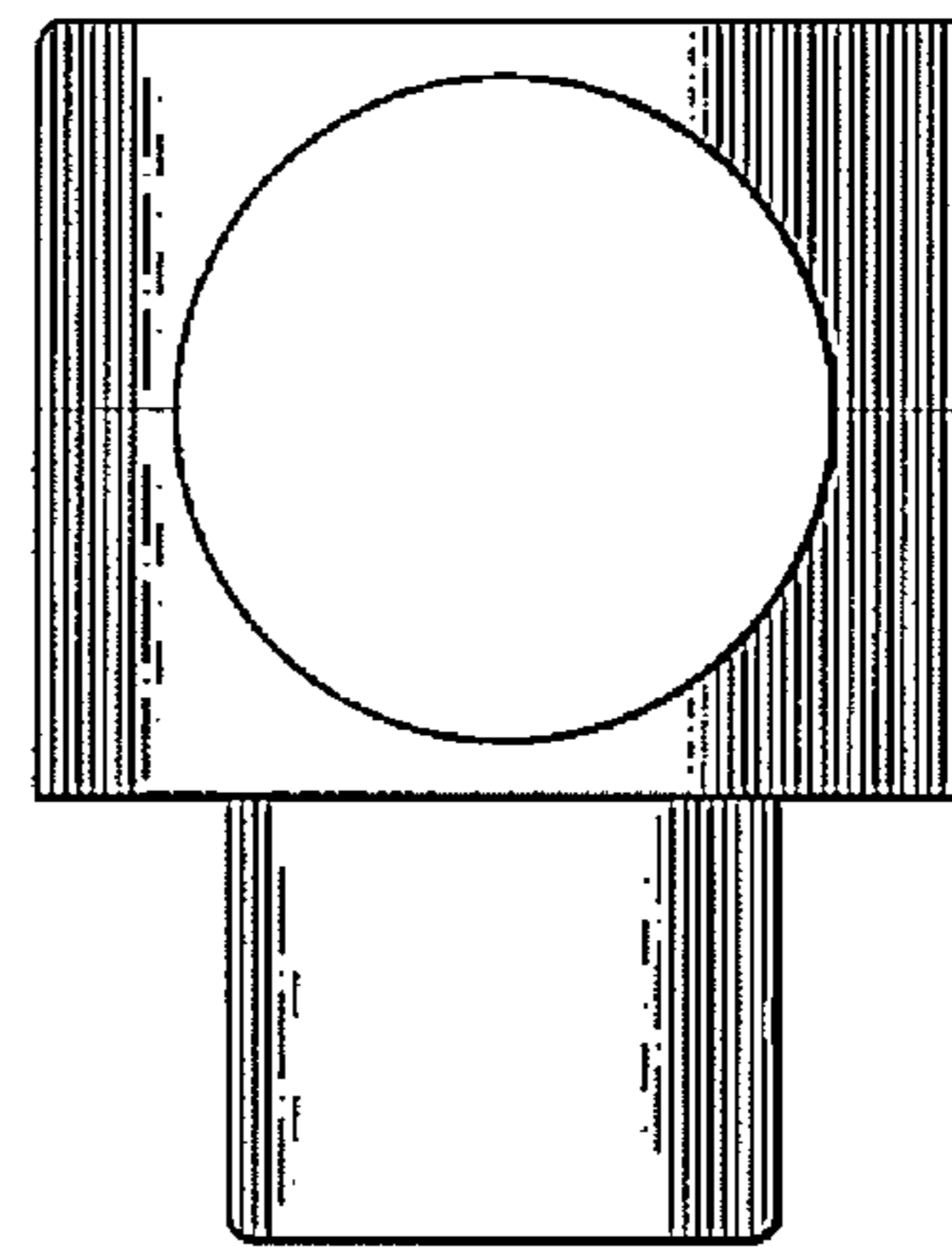


Fig. 12

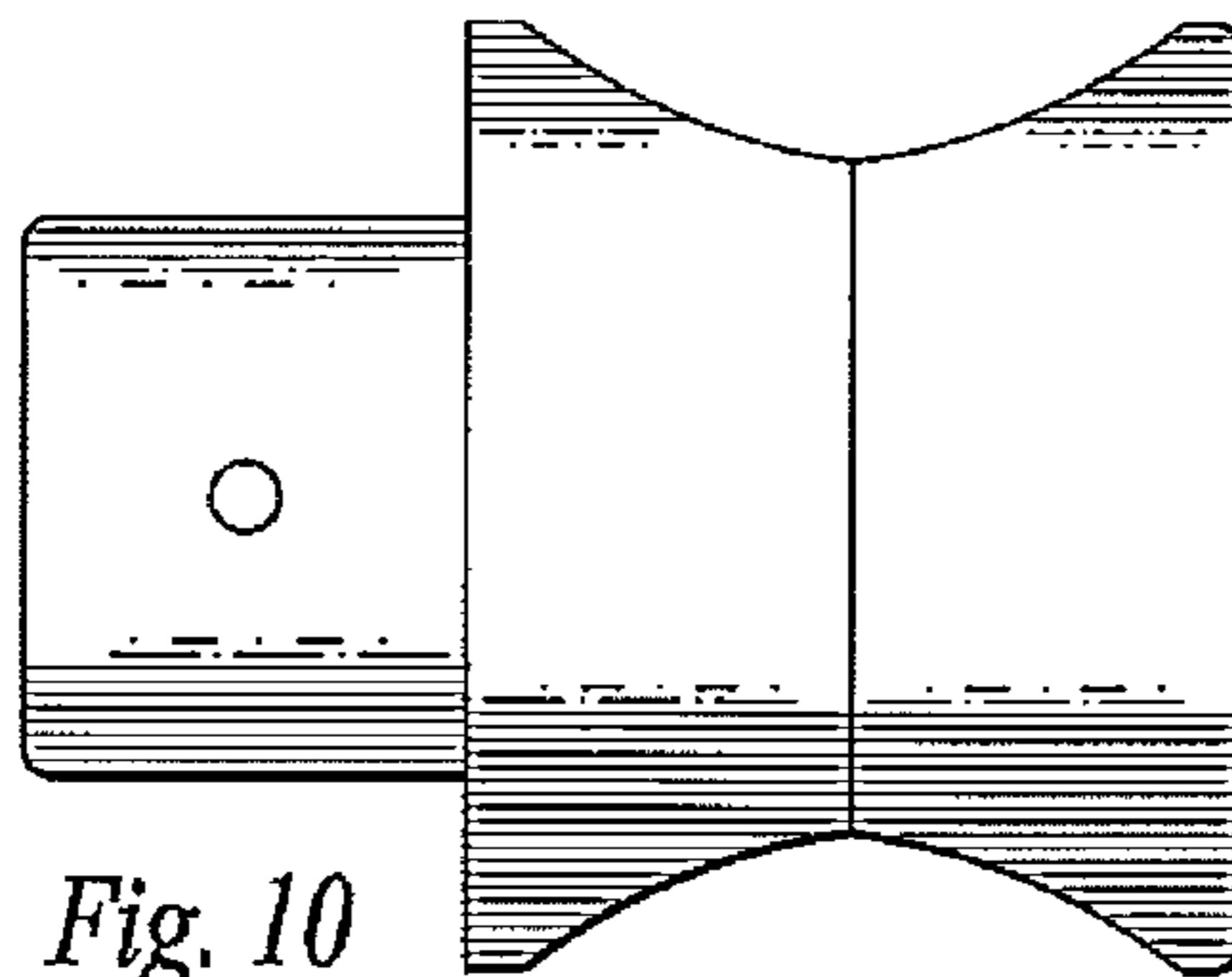


Fig. 10

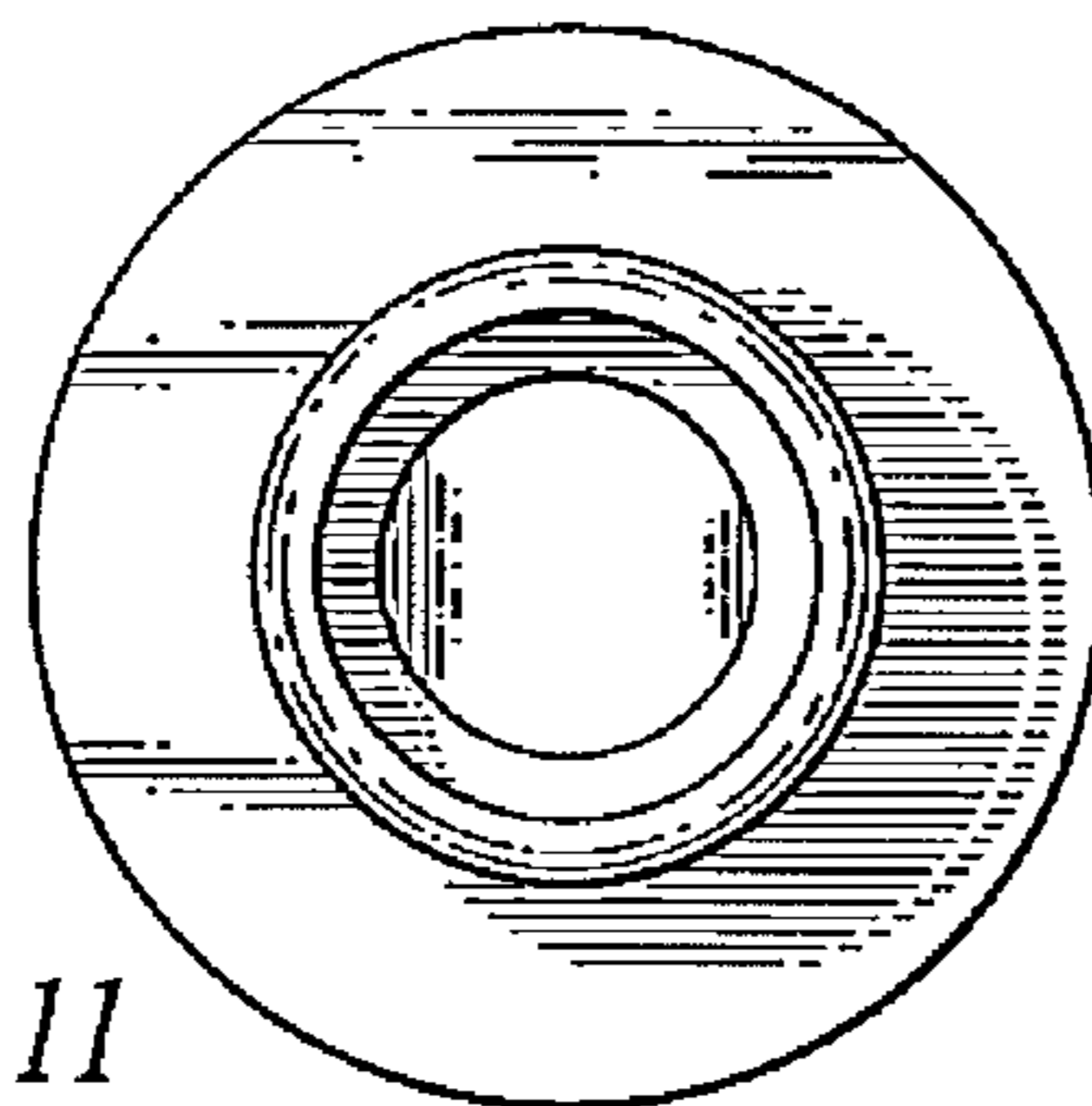


Fig. 11

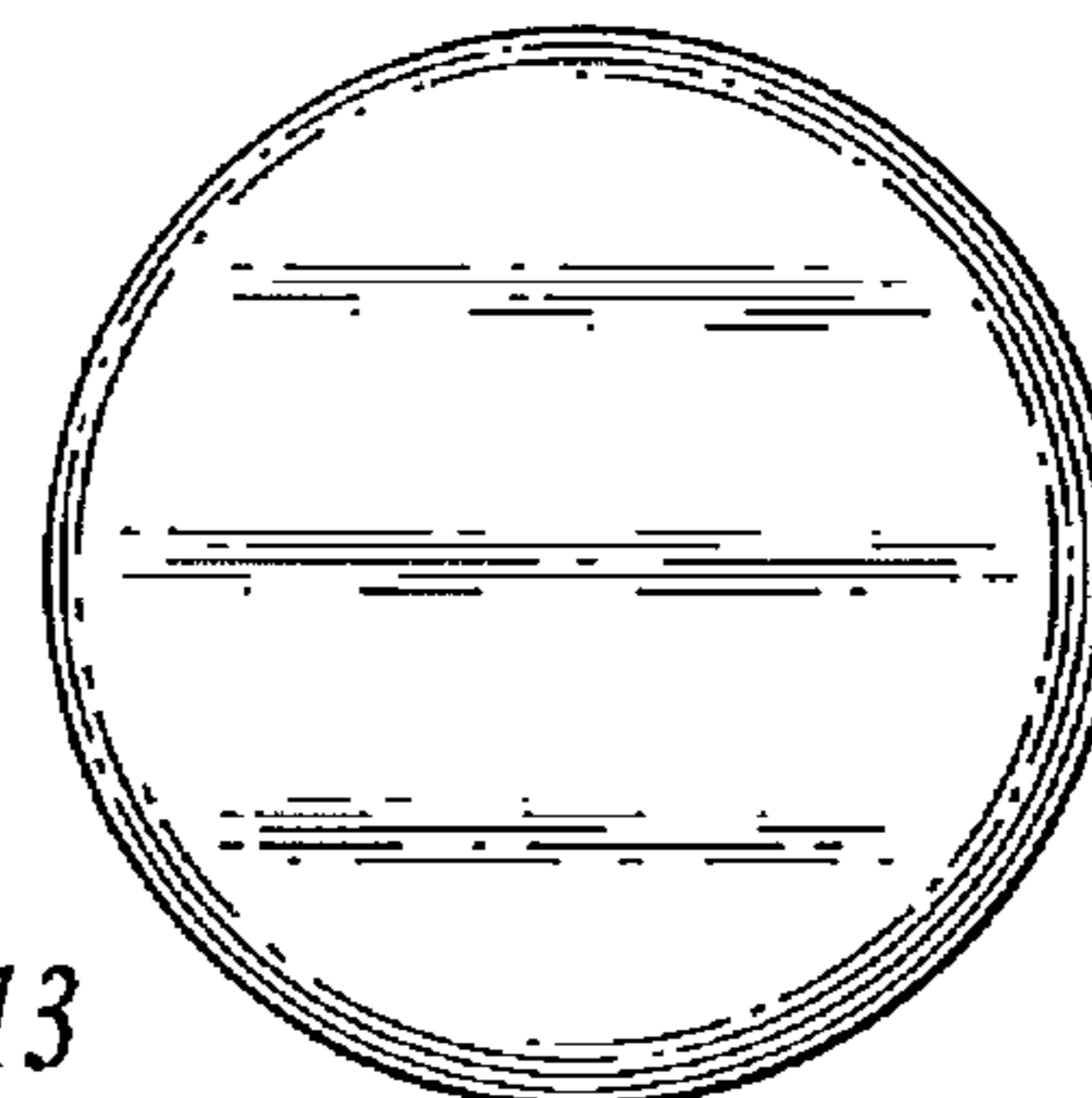


Fig. 13