



US00D720604S

(12) **United States Design Patent**
McGrath

(10) **Patent No.:** **US D720,604 S**
(45) **Date of Patent:** **** Jan. 6, 2015**

- (54) **ADJUSTABLE BRACKET**
- (76) Inventor: **Andrew H. McGrath**, Concord, CA (US)
- (**) Term: **14 Years**
- (21) Appl. No.: **29/417,336**
- (22) Filed: **Apr. 2, 2012**
- (51) **LOC (10) Cl.** **08-05**
- (52) **U.S. Cl.**
USPC **D8/354**
- (58) **Field of Classification Search**
USPC D8/349, 354, 355, 363, 373, 394, 333, D8/300, 381; D12/115; 248/161, 158, 176, 248/274, 298, 499-500, 551, 680, 251, 248/309.1, 309.2, 300, 201, 218.4, 200, 248/140, 227.4, 475.1, 477, 488, 235, 250, 248/28.11, 289.11, 291.1, 398, 515, 205.1; 40/606, 612, 607.14, 607.12; 211/17-24, 90.01, 88.01, 88.02, 88.03, 211/87.01, 119.003; 24/455
See application file for complete search history.

- (56) **References Cited**
U.S. PATENT DOCUMENTS
3,096,110 A * 7/1963 Cantor 403/385
3,887,291 A * 6/1975 Langren 403/391
(Continued)

Primary Examiner — Mark Goodwin
(74) *Attorney, Agent, or Firm* — Charles L. THoeming

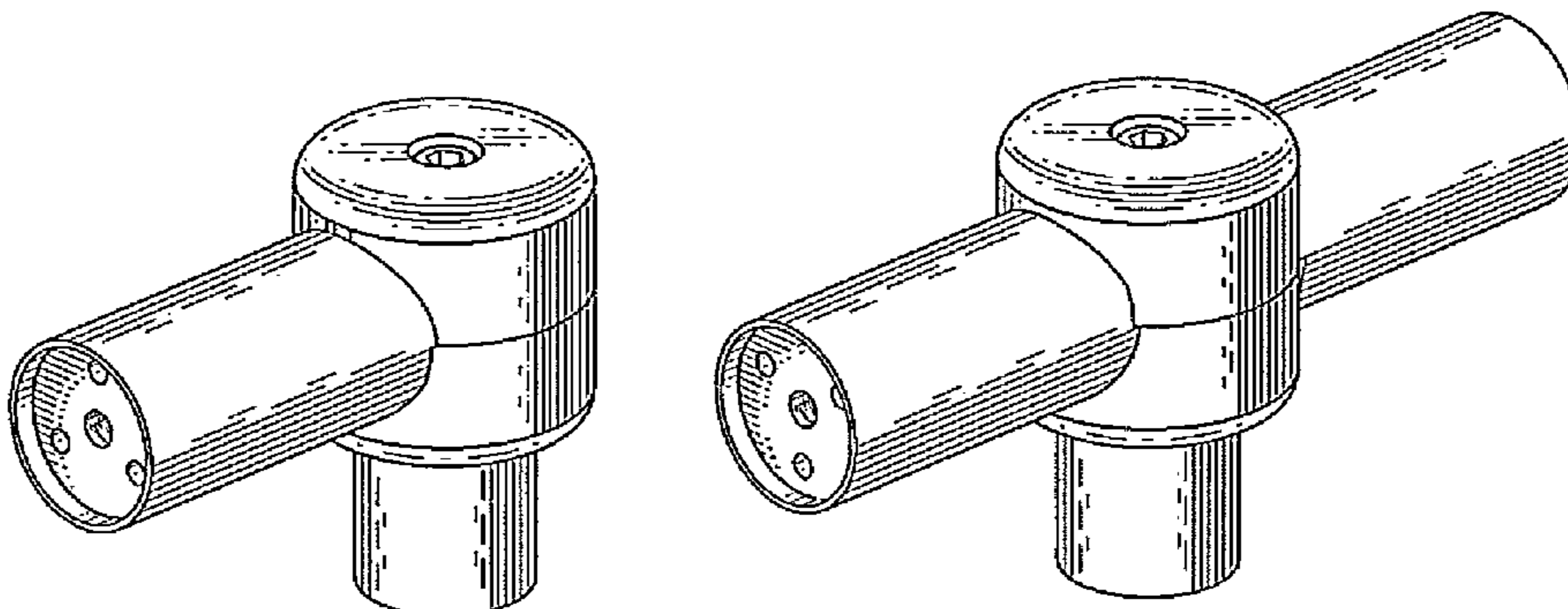
(57) **CLAIM**
The ornamental design for an adjustable bracket, as shown and described.

DESCRIPTION

FIG. 1 is a left front perspective view of a single shaft embodiment of an adjustable bracket showing my new design.
FIG. 2 is a right side view of the adjustable bracket of FIG. 1.

FIG. 3 is a left side view of the adjustable bracket of FIG. 1.
FIG. 4 is a top view of the adjustable bracket of FIG. 1.
FIG. 5 is a front view of the adjustable bracket of FIG. 1; the rear view of the adjustable bracket of FIG. 1 is the mirror image of FIG. 5.
FIG. 6 is a bottom view of the adjustable bracket of FIG. 1.
FIG. 7 is an exploded left front perspective view of the adjustable bracket of FIG. 1. The broken line showing of a partial pole of FIG. 7 is for illustrative purposes only and forms no part of the claimed design.
FIG. 8 is a front exploded view of the adjustable bracket of FIG. 1.
FIG. 9 is a right side exploded view of the adjustable bracket of FIG. 1.
FIG. 10 is a left side exploded view of the adjustable bracket of FIG. 1.
FIG. 11 is a top view of a component indicated in FIGS. 8 and 23 at "11-11".
FIG. 12 is a bottom view of the component indicated in FIGS. 8 and 23 at "12-12".
FIG. 13 is a bottom view of the component indicated in FIGS. 8 and 23 at "13-13".
FIG. 14 is top view of the component indicated in FIGS. 8 and 23 at "14-14".
FIG. 15 is left front perspective view of a double shaft embodiment of an adjustable bracket showing my new design.
FIG. 16 is a right side view of the adjustable bracket of FIG. 15.
FIG. 17 is a left side view of the adjustable bracket of FIG. 15.
FIG. 18 is a top view of the adjustable bracket of FIG. 15.
FIG. 19 is a front view of the adjustable bracket of FIG. 15; the rear view of the adjustable bracket of FIG. 15 is the mirror image of FIG. 19.
FIG. 20 is a bottom view of the adjustable bracket of FIG. 15.
FIG. 21 is an exploded left front perspective view of the adjustable bracket of FIG. 15. The broken line showing of a partial pole of FIG. 21 is for illustrative purposes only and forms no part of the claimed design.
FIG. 22 is a left side exploded view of the adjustable bracket of FIG. 15; and,
FIG. 23 is a front exploded view of the adjustable bracket of FIG. 15.

1 Claim, 4 Drawing Sheets



(56)

References Cited

U.S. PATENT DOCUMENTS

4,547,092	A *	10/1985	Vetter et al.	403/59	5,974,984	A *	11/1999	Mitjans	108/150
4,729,535	A *	3/1988	Frazier et al.	248/230.4	6,010,017	A *	1/2000	Michaelis et al.	211/133.4
4,821,382	A *	4/1989	Puschkarski	24/298	D427,460	S *	7/2000	McGrath	D6/491
D306,396	S *	3/1990	Brushaber	D8/355	6,093,878	A *	7/2000	Hoshino	84/421
5,002,247	A *	3/1991	Dispenza et al.	248/188	6,132,018	A *	10/2000	McGrath	312/140.4
5,082,334	A *	1/1992	Beyer et al.	312/140.4	D439,135	S *	3/2001	Elmer	D8/349
D330,555	S *	10/1992	Lilly	D14/238	6,328,269	B1 *	12/2001	Krautloher	248/288.11
D332,497	S *	1/1993	Shufelt	D24/232	D467,790	S *	12/2002	Roberts et al.	D8/356
5,199,680	A *	4/1993	Rivera	248/441.1	6,558,863	B2 *	5/2003	Rokutanzono et al.	430/58.7
D337,462	S *	7/1993	LaVaute et al.	D6/491	6,588,863	B1 *	7/2003	Yatchak et al.	312/140.4
5,259,582	A *	11/1993	DeLange, III	248/481	D480,298	S *	10/2003	Skovronski et al.	D8/396
5,409,122	A *	4/1995	Lazarus	211/186	D493,363	S *	7/2004	Eason	D8/396
5,449,138	A *	9/1995	Ciancio	248/123.2	D499,954	S *	12/2004	Brushaber	D8/355
5,566,911	A *	10/1996	Hoshino	248/124.1	D503,333	S *	3/2005	Ledingham	D8/394
5,584,545	A *	12/1996	LaVaute et al.	312/140.4	7,191,988	B2 *	3/2007	Kim et al.	248/68.1
5,589,903	A *	12/1996	Speggiorin	396/428	7,300,030	B2 *	11/2007	Michalo et al.	248/309.1
D377,429	S *	1/1997	Olson	D6/491	D558,027	S *	12/2007	Lanz	D8/355
5,681,017	A *	10/1997	Clausen	248/125.1	D570,176	S *	6/2008	Franchini	D8/71
5,704,232	A *	1/1998	Kuo	70/233	7,458,475	B2 *	12/2008	Ho	211/85.23
5,704,581	A *	1/1998	Chen	248/371	D617,729	S *	6/2010	McGrath	D12/607
5,735,499	A *	4/1998	Phillips et al.	248/230.1	D625,170	S *	10/2010	McGrath	D8/355
5,746,334	A *	5/1998	Brandenberg	211/205	D625,984	S *	10/2010	McGrath	D8/355
5,775,652	A *	7/1998	Crawshaw et al.	248/230.6	D636,658	S *	4/2011	McGrath	D8/355
5,823,102	A *	10/1998	Will	99/645	D659,517	S *	5/2012	McGrath	D8/355
5,826,850	A *	10/1998	Goldsmith	248/415	D690,190	S *	9/2013	McGrath	D8/394
5,887,314	A *	3/1999	Jordan, Jr.	16/405	D699,546	S *	2/2014	McGrath	D8/354
					D714,130	S *	9/2014	Kao et al.	D8/377
					2007/0236112	A1 *	10/2007	Williman	312/140.4

* cited by examiner

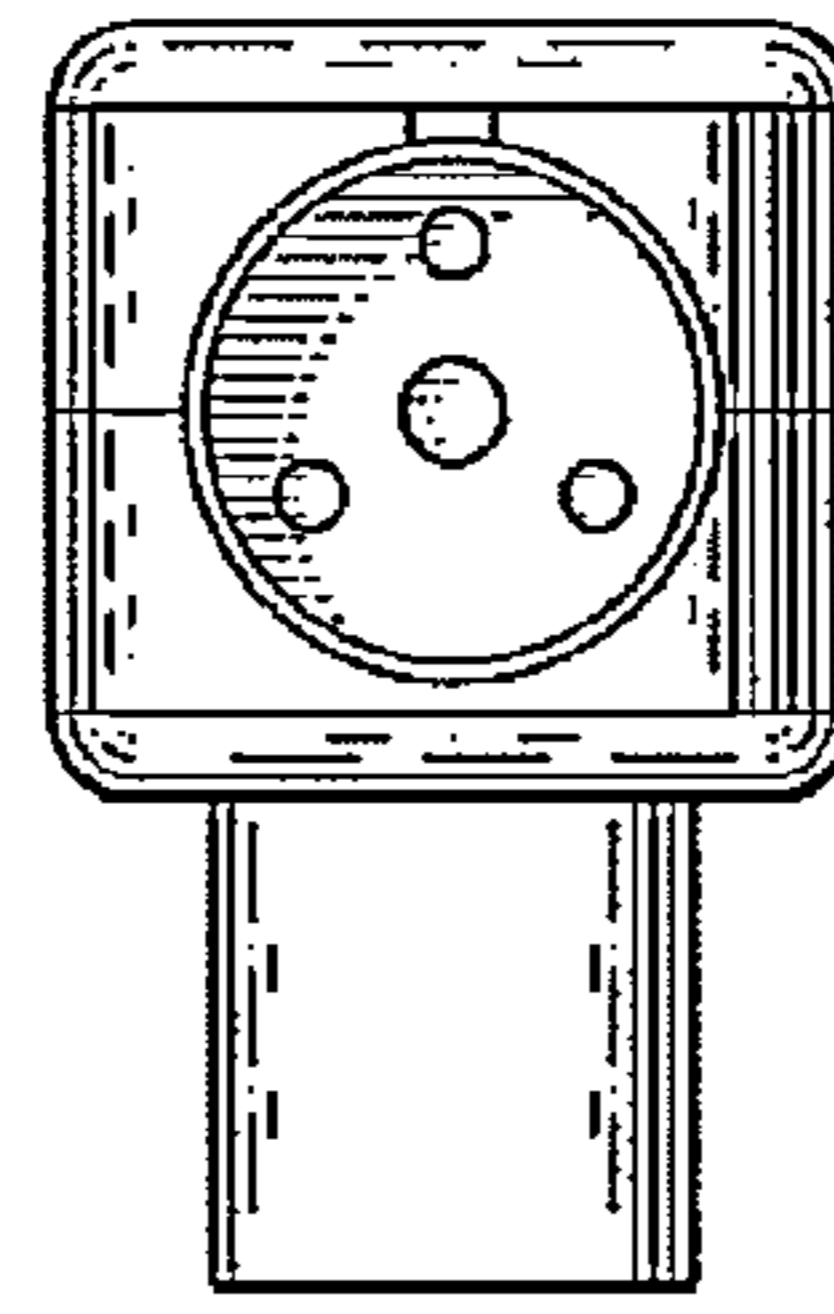
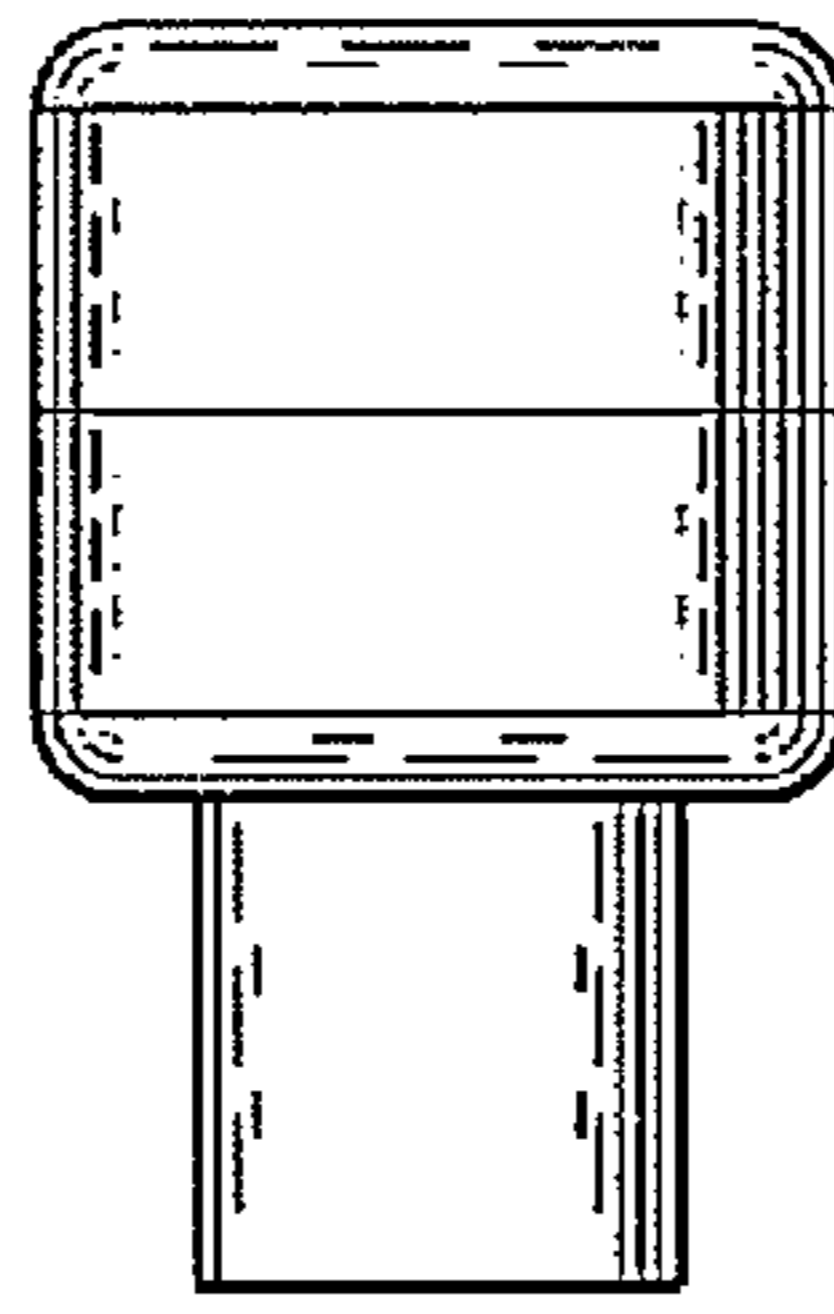
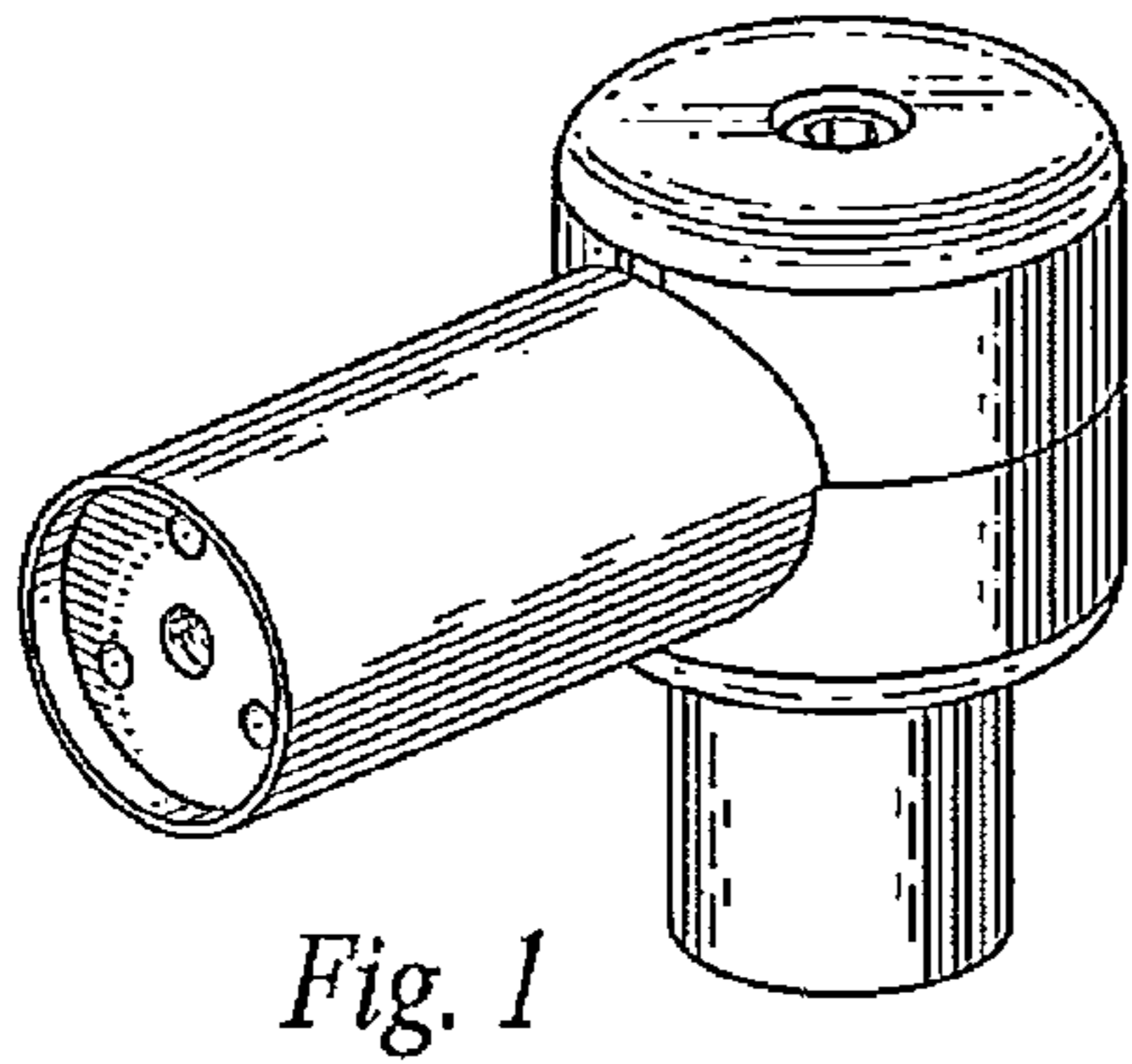


Fig. 1

Fig. 2

Fig. 3

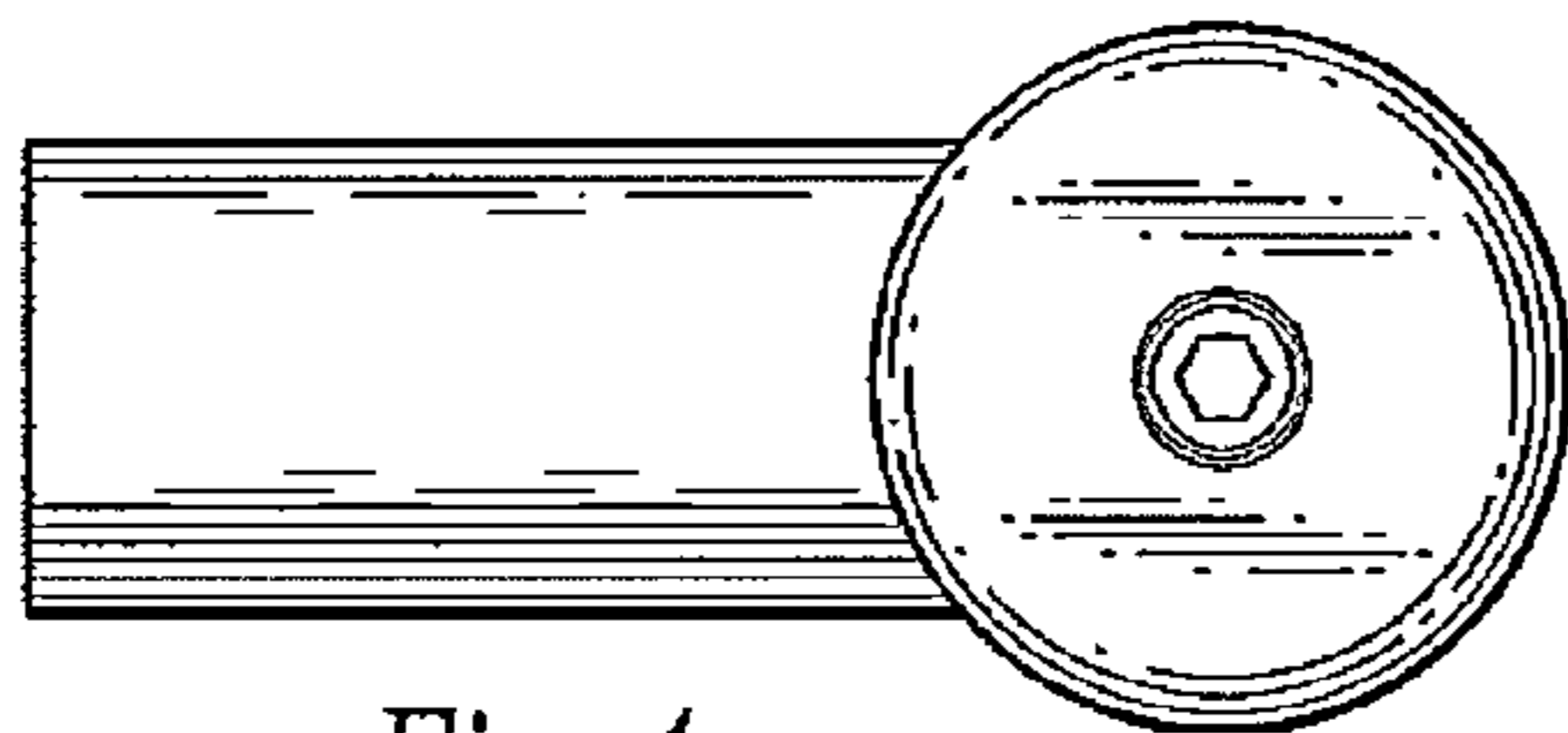


Fig. 4

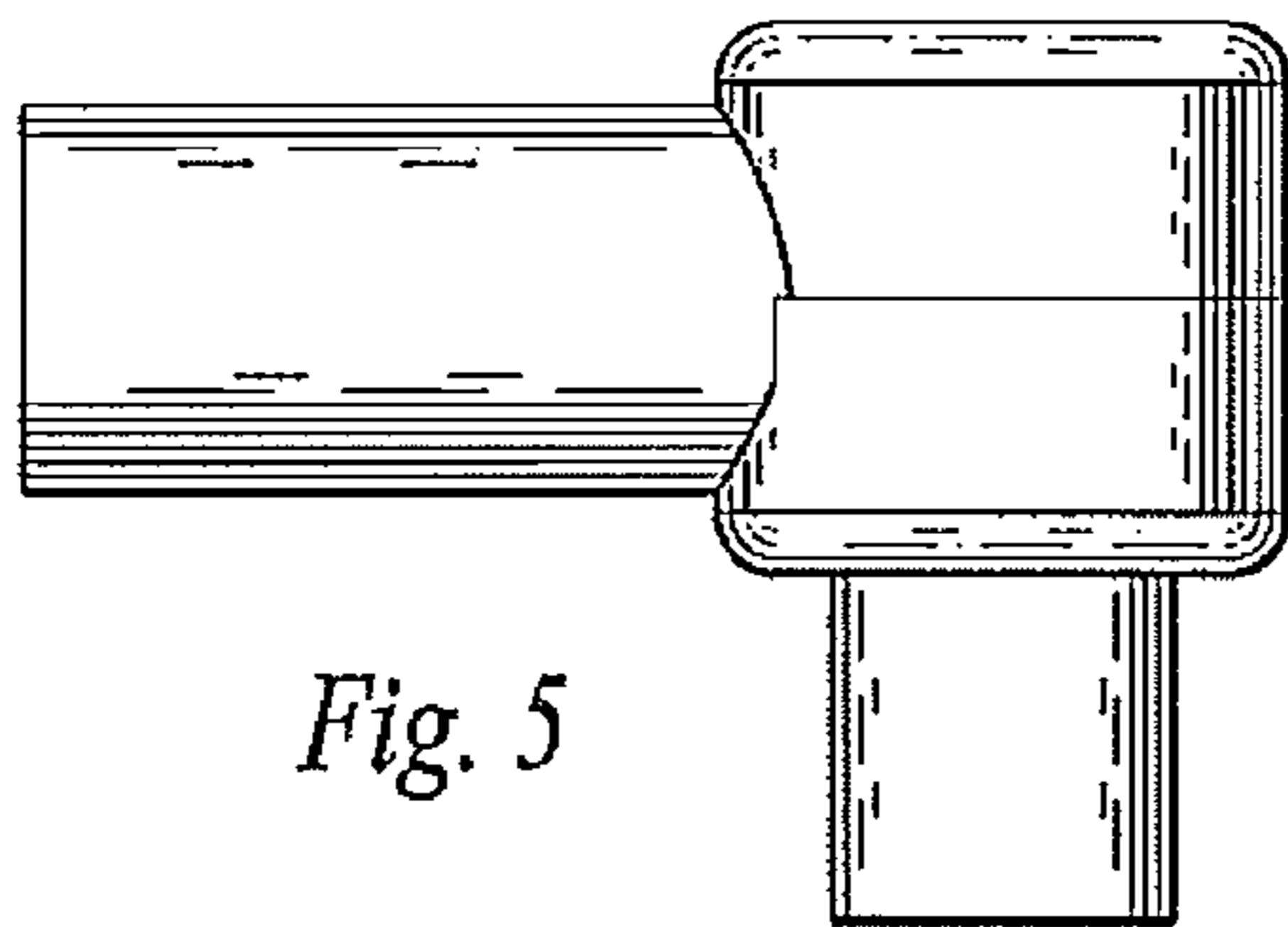


Fig. 5

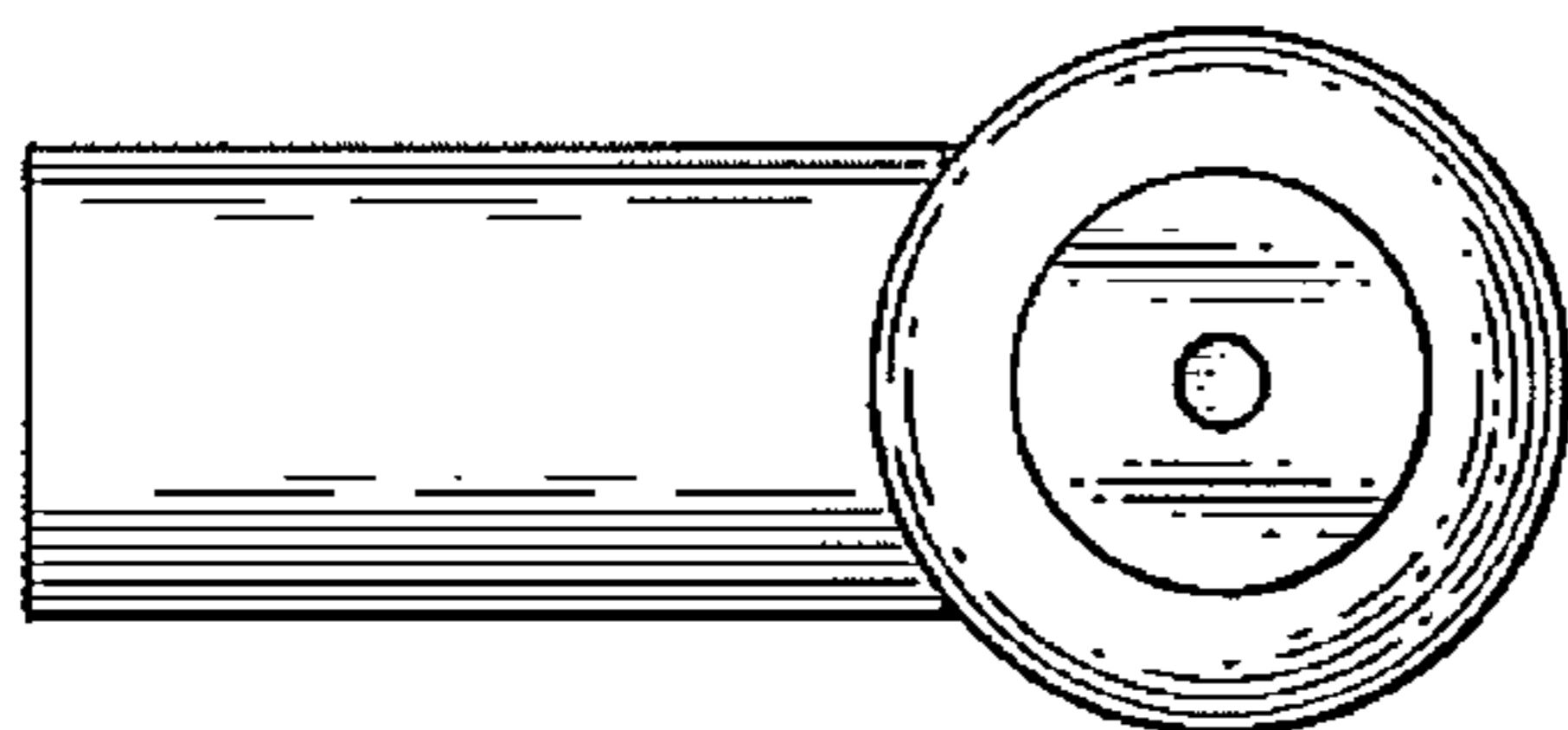


Fig. 6

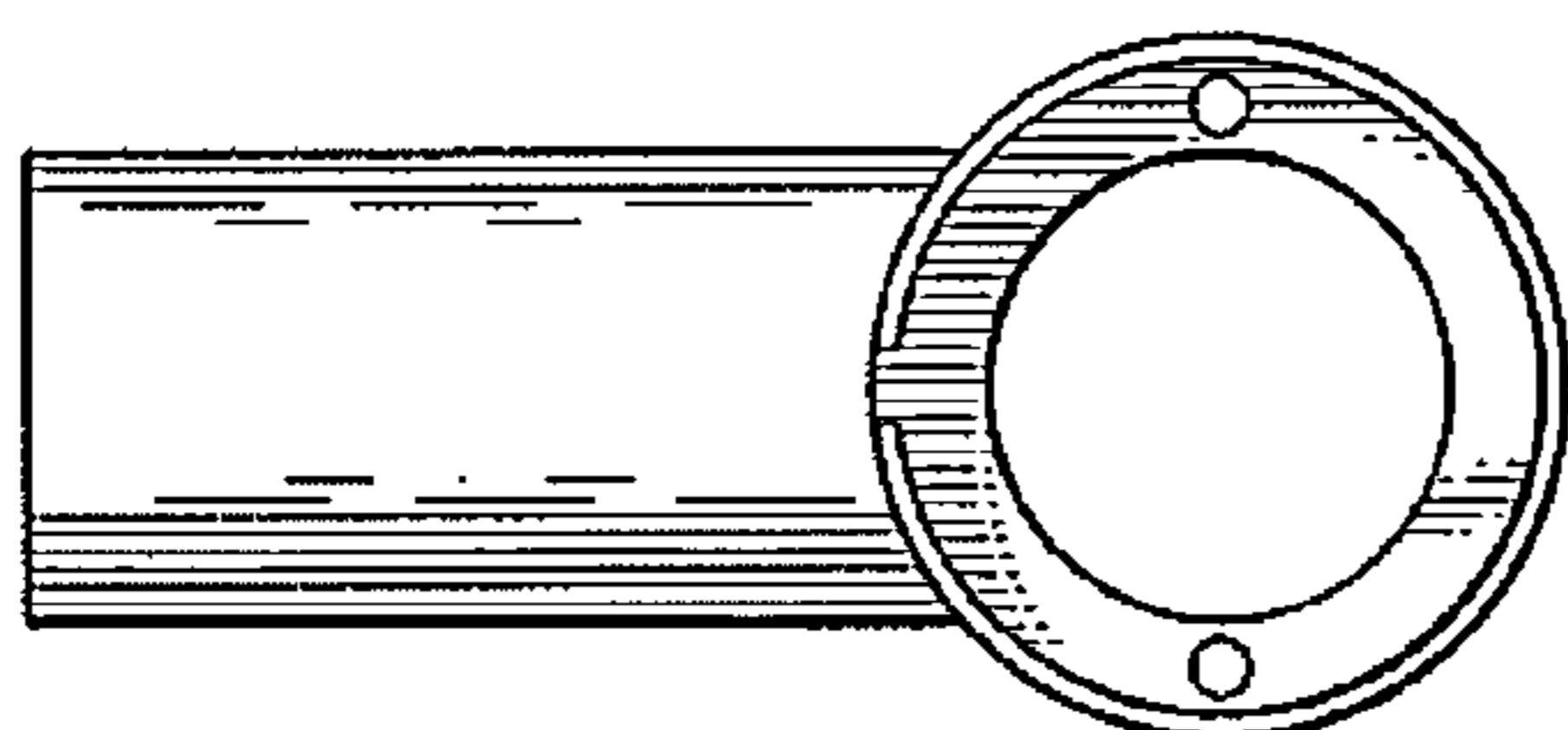


Fig. 11

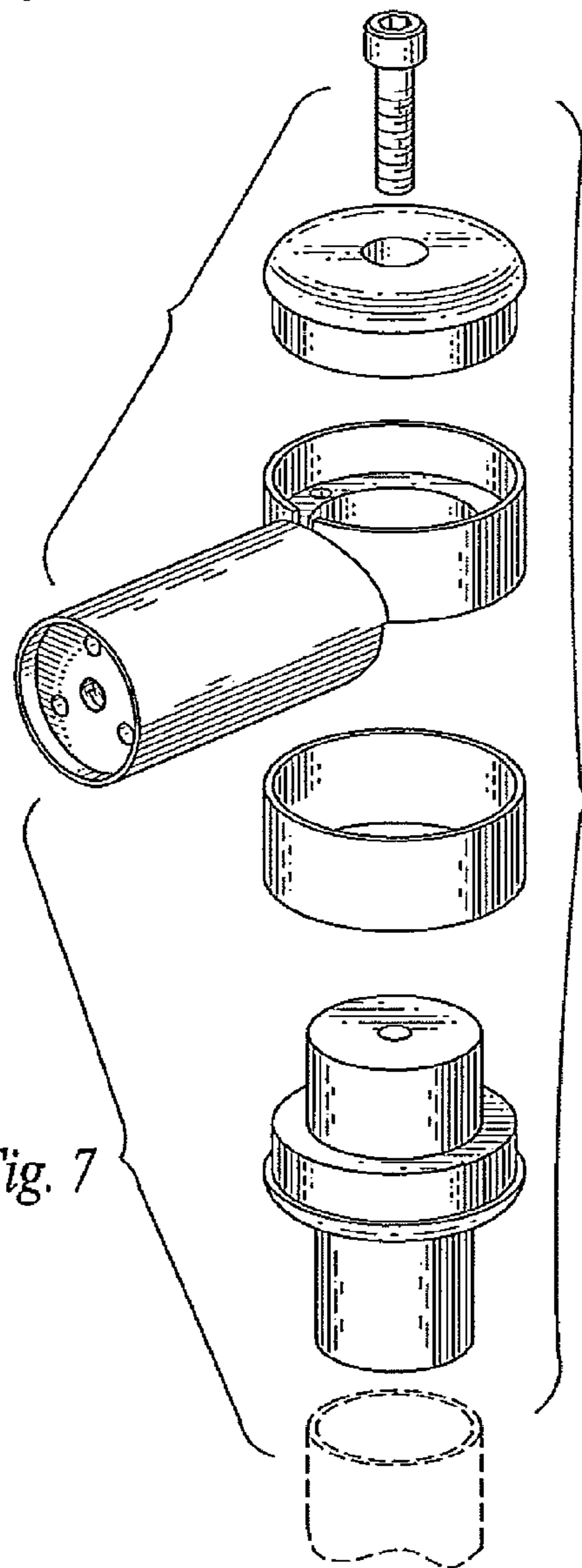


Fig. 7

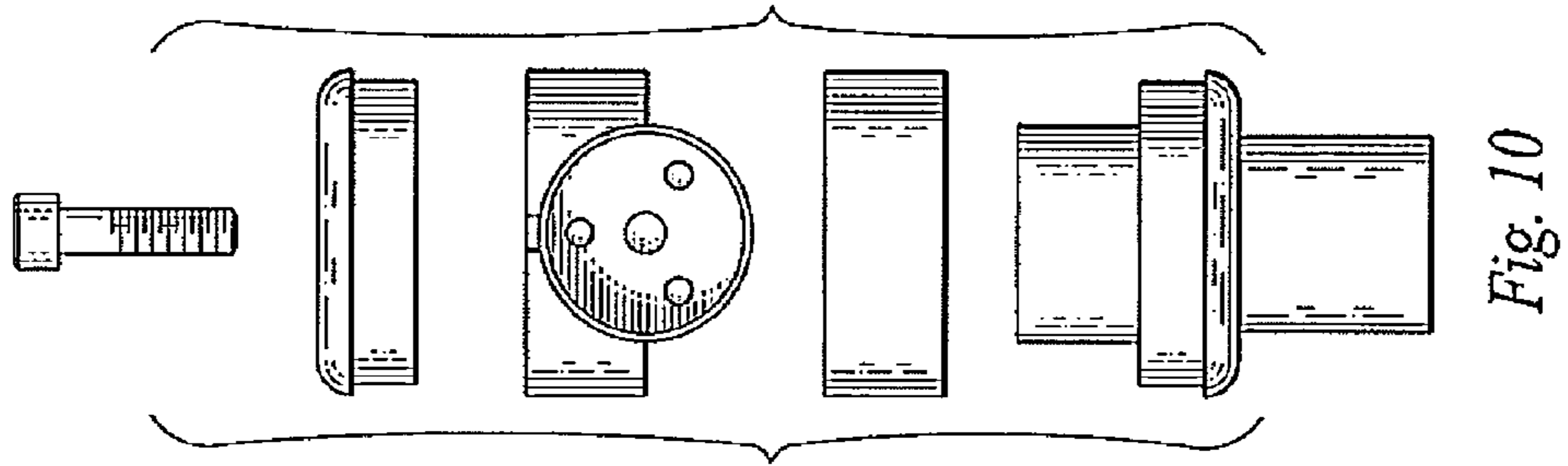


Fig. 10

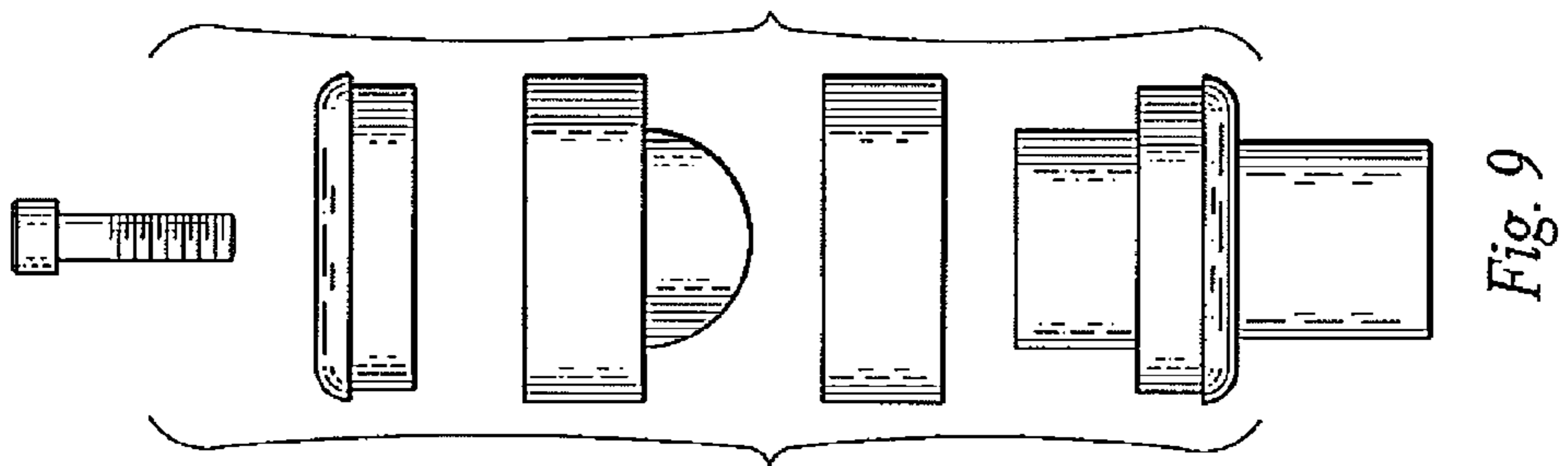


Fig. 9

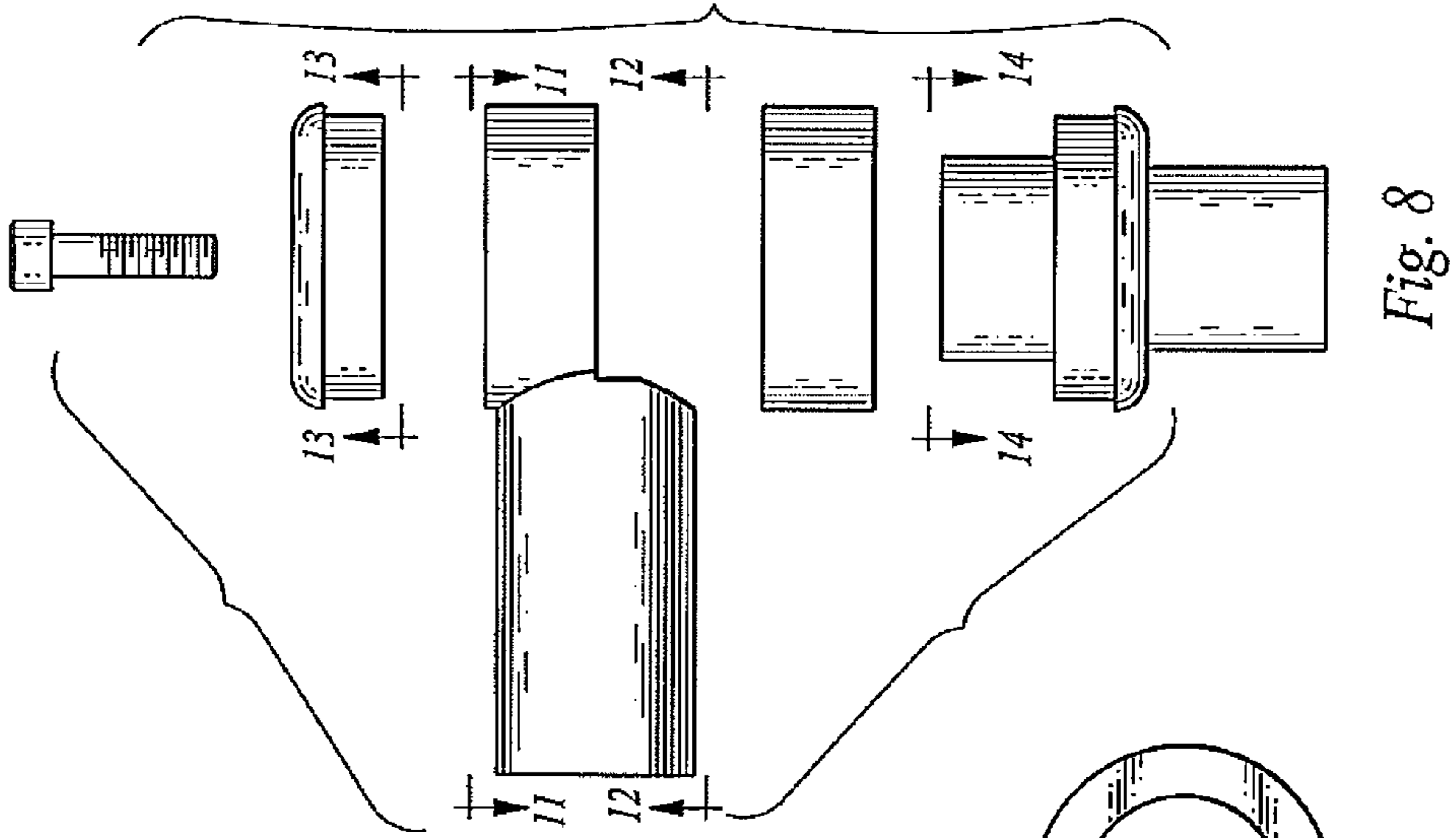


Fig. 8

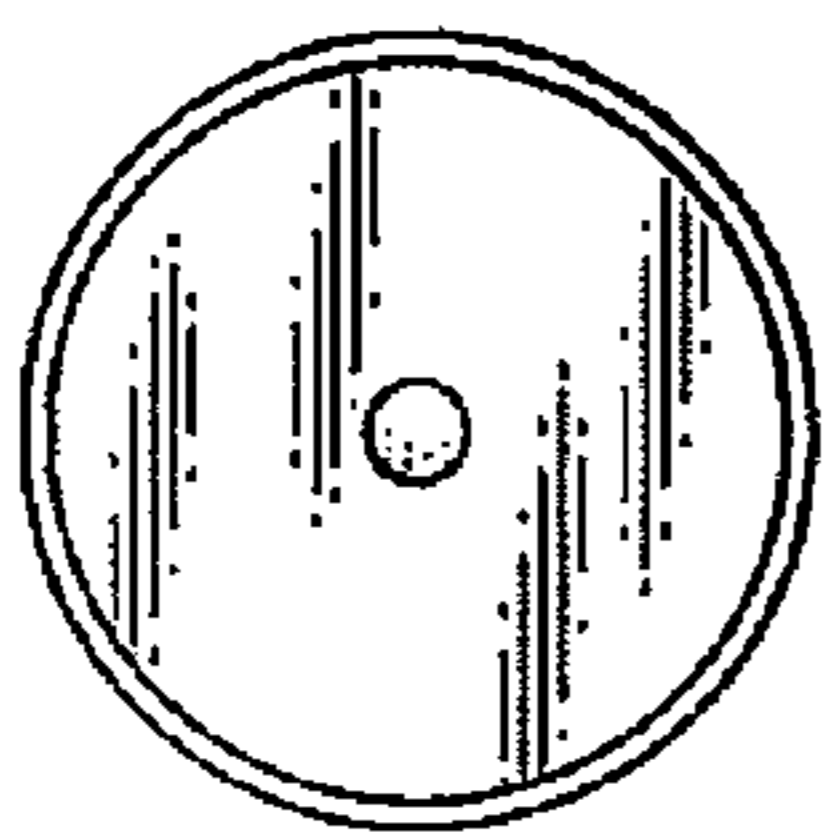


Fig. 13

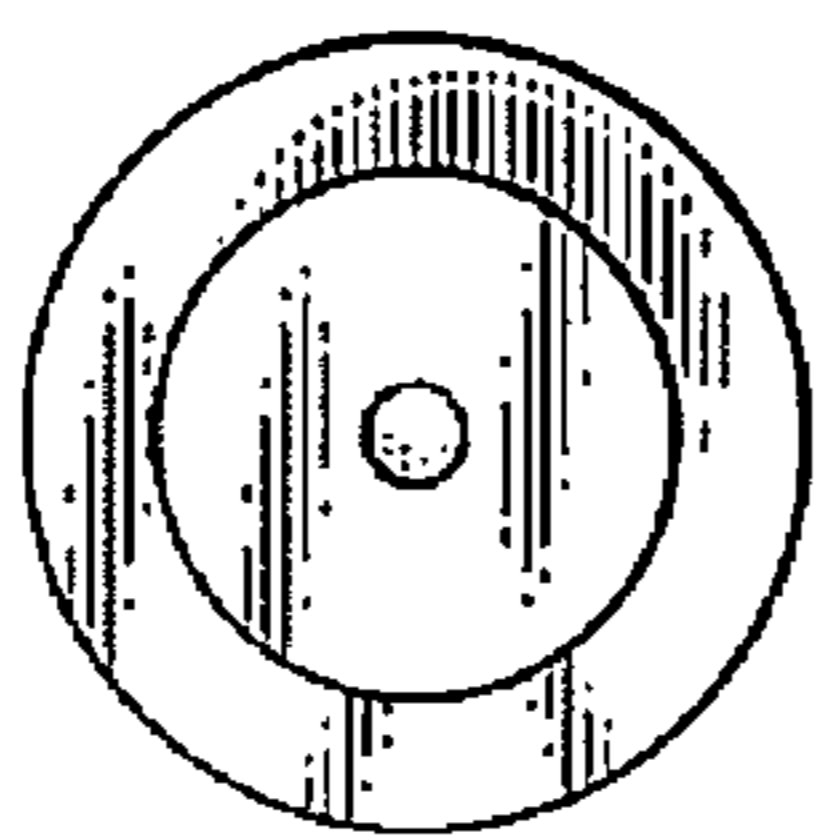


Fig. 14

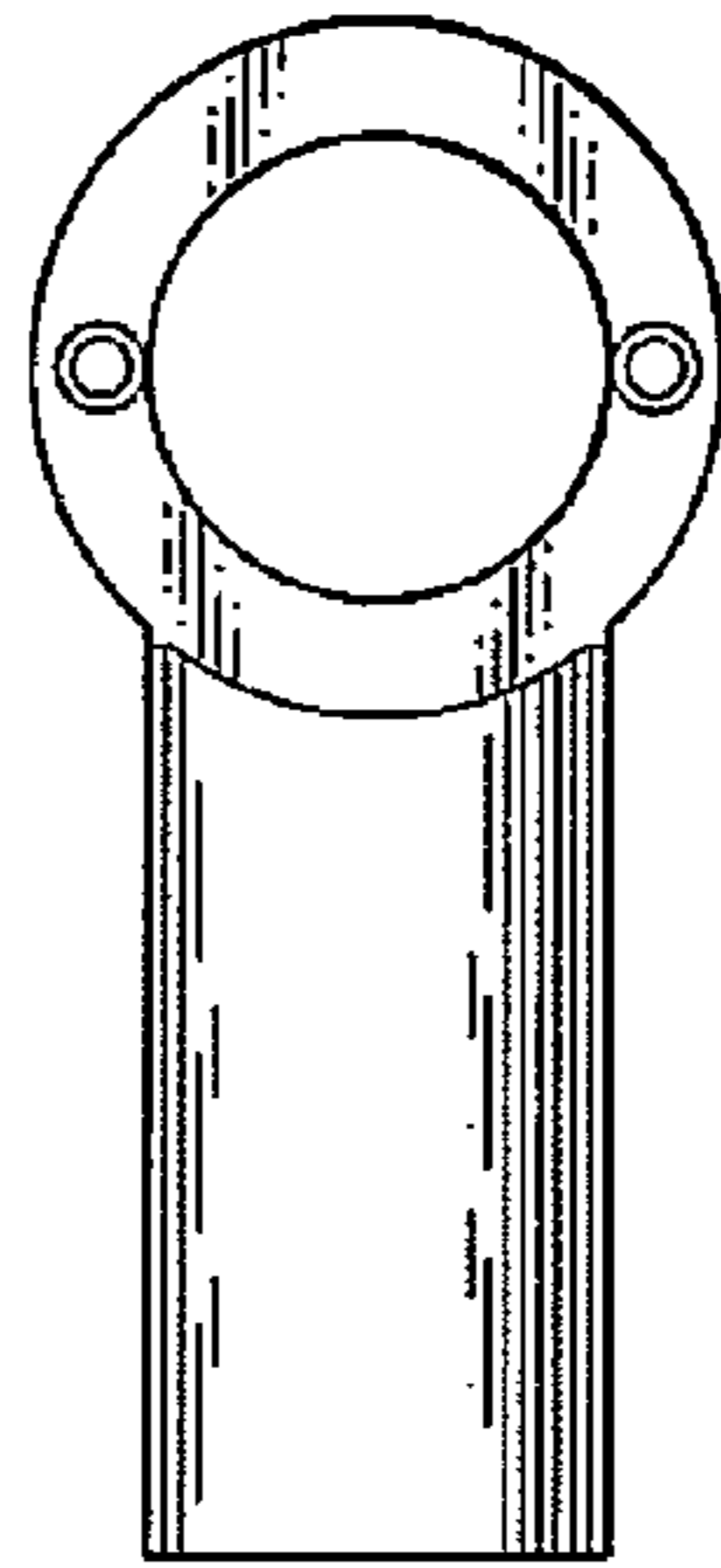


Fig. 12

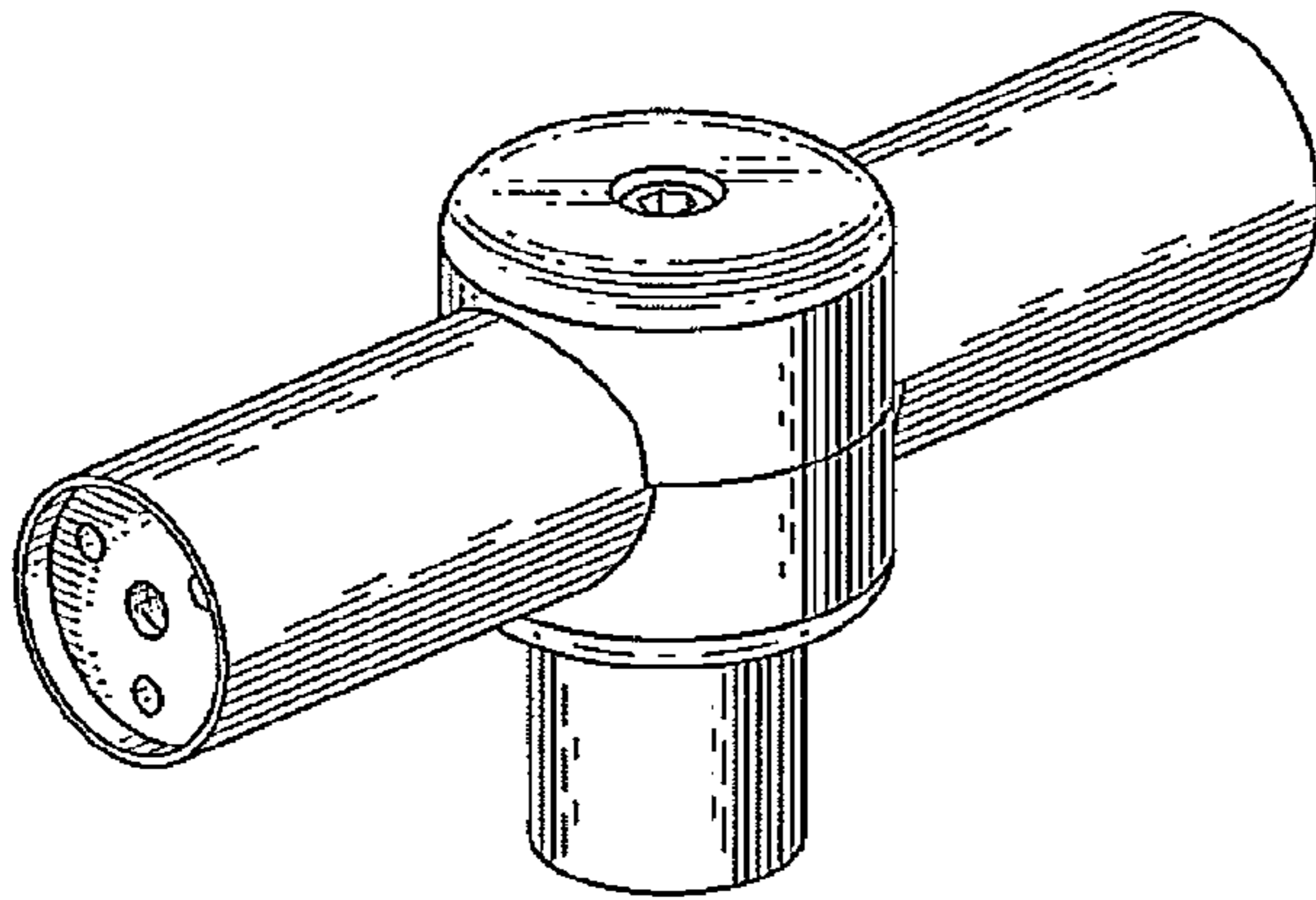


Fig. 15

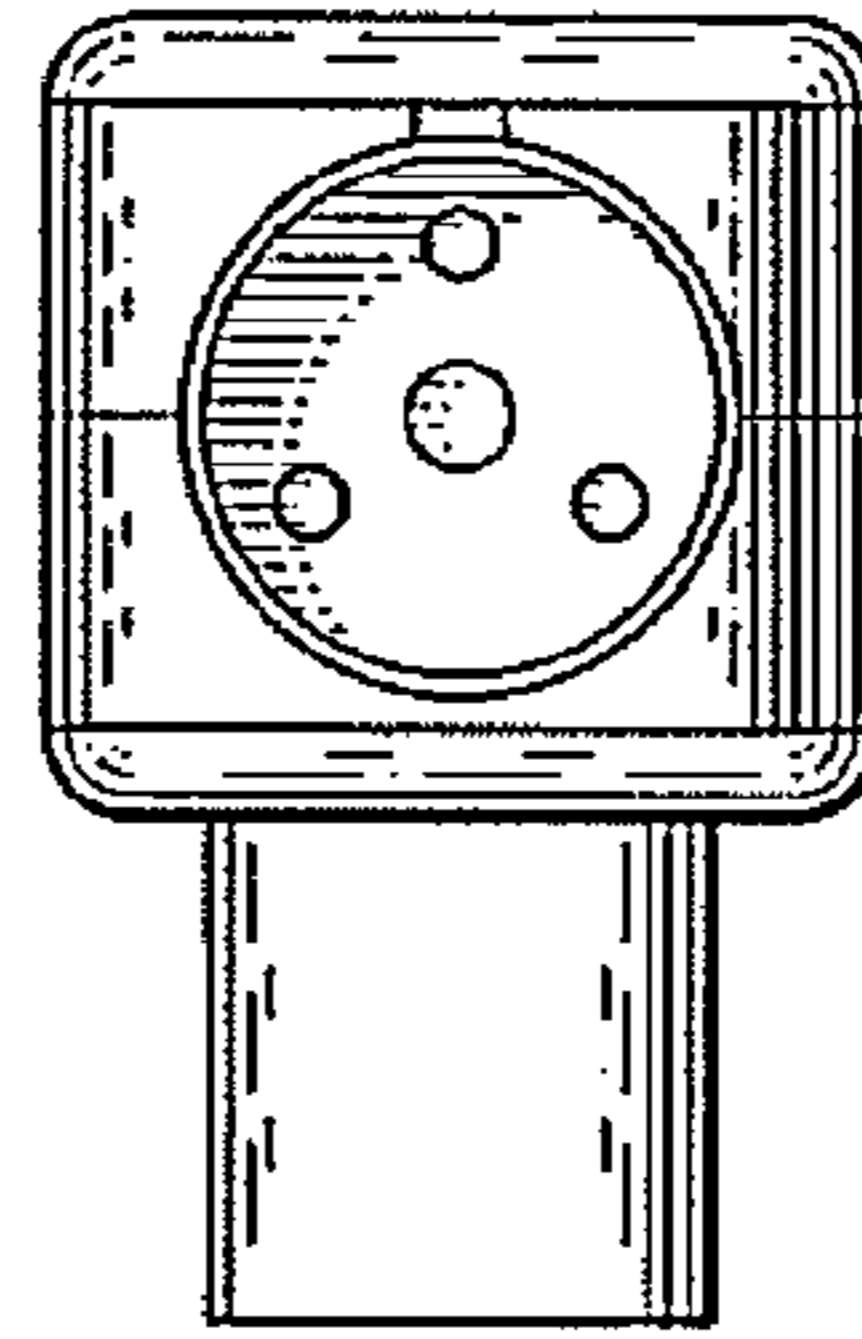


Fig. 16

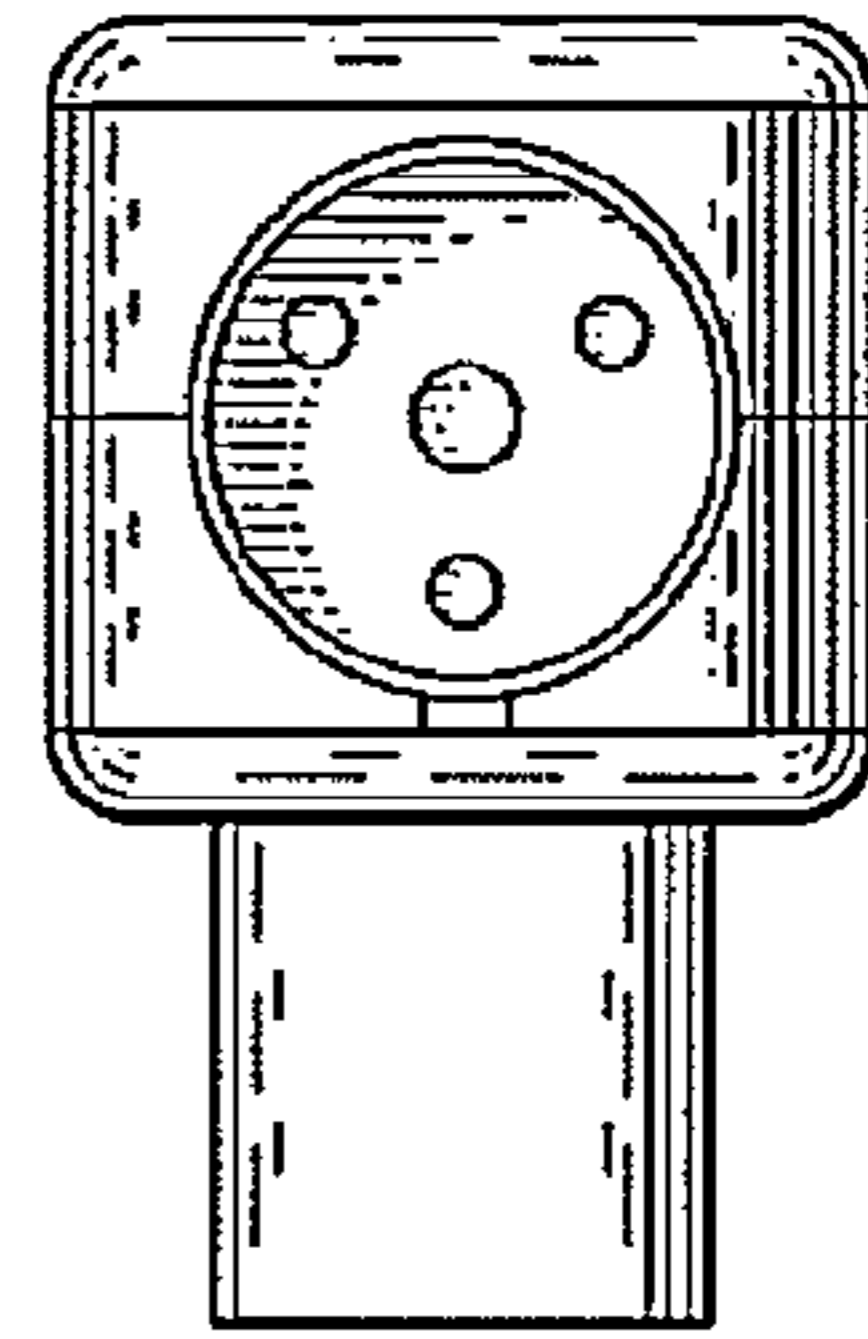


Fig. 17

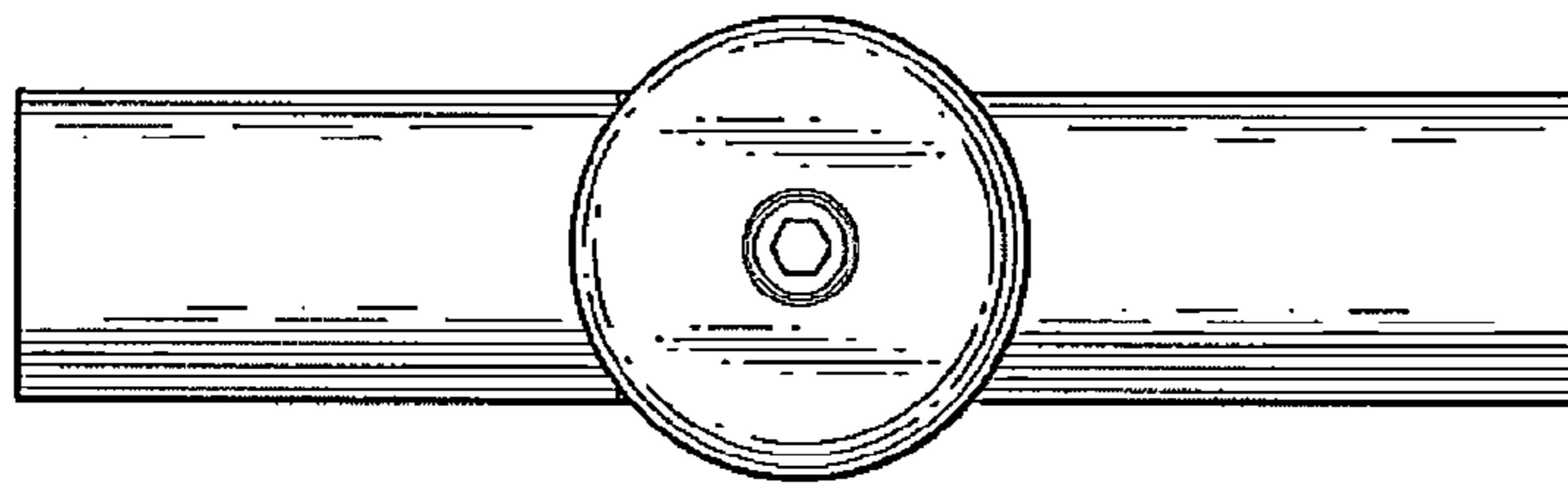


Fig. 18

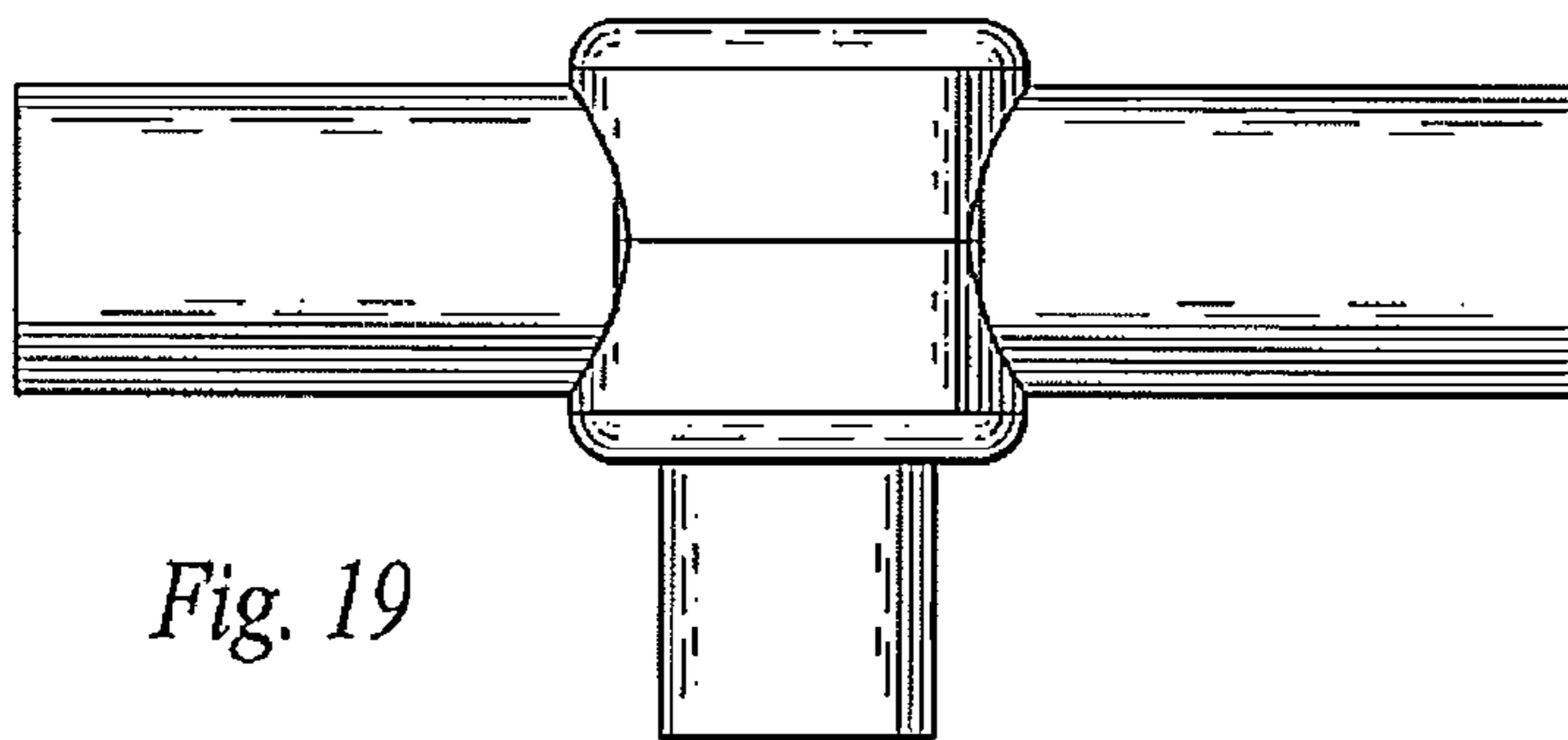


Fig. 19

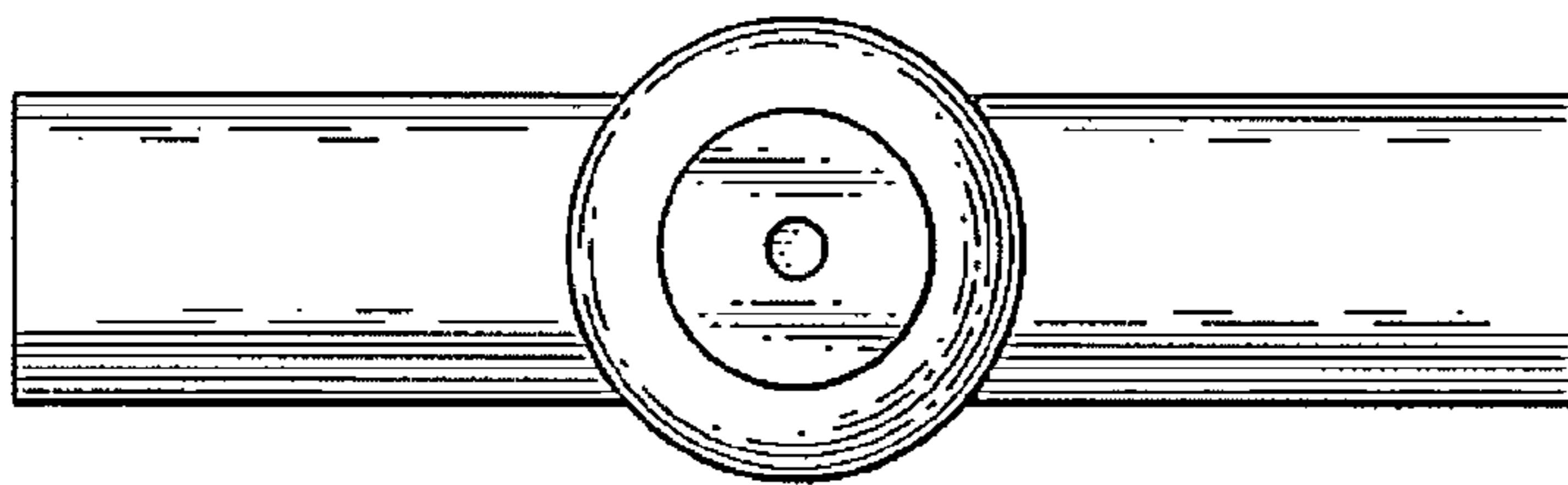


Fig. 20

