



US00D720603S

(12) **United States Design Patent**
Kirzinger et al.

(10) **Patent No.:** **US D720,603 S**

(45) **Date of Patent:** **** Jan. 6, 2015**

(54) **VEHICLE KEY**

(71) Applicant: **Volkswagen Aktiengesellschaft,**
Wolfsburg (DE)

(72) Inventors: **Albert-Johann Kirzinger,** Wolfsburg
(DE); **Bernd Soltendieck,** Wolfsburg
(DE); **Dirk Halbauer,** Wolfsburg (DE)

(73) Assignee: **Volkswagen Aktiengesellschaft,**
Wolfsburg (DE)

(**) Term: **14 Years**

(21) Appl. No.: **29/449,520**

(22) Filed: **Mar. 15, 2013**

(30) **Foreign Application Priority Data**

Oct. 15, 2012 (EM) 001 347 280

(51) **LOC (10) Cl.** **08-07**

(52) **U.S. Cl.**
USPC **D8/346**

(58) **Field of Classification Search**
USPC D8/347, 348, 346, 343; 70/456 R, 429,
70/430, 448, 449, 336, 431, 465
See application file for complete search history.

(56) **References Cited**

U.S. PATENT DOCUMENTS

D293,549 S * 1/1988 Stinson D8/347
D407,007 S * 3/1999 Sacco et al. D8/347

D442,060 S * 5/2001 Neset et al. D8/347
D495,585 S * 9/2004 Osada D8/347
D514,428 S * 2/2006 Neset et al. D8/347
D557,111 S * 12/2007 Ydremark et al. D8/347
7,417,193 B2 * 8/2008 Schumacher et al. 174/135
8,359,891 B2 * 1/2013 Fujimoto 70/459
8,479,546 B2 * 7/2013 Delande et al. 70/456 R
8,534,104 B2 * 9/2013 Shimura et al. 70/456 R

* cited by examiner

Primary Examiner — Prabhakar Deshmukh

(74) *Attorney, Agent, or Firm* — Lucas & Mercanti, LLP;
Klaus P. Stoffel

(57) **CLAIM**

The ornamental design for a vehicle key, as shown and described.

DESCRIPTION

FIG. 1 is front view of a vehicle key showing our new design;
FIG. 2 is a rear view thereof;
FIG. 3 is a front, right side perspective view thereof;
FIG. 4 is a rear, left side perspective view thereof;
FIG. 5 is a top, front perspective view thereof;
FIG. 6 is a bottom, front, left side perspective view thereof;
FIG. 7 is a top, front, right side perspective view thereof;
FIG. 8 is a front, left side view thereof;
FIG. 9 is a bottom, front perspective view thereof;
FIG. 10 is a top, front, left perspective view thereof; and,
FIG. 11 is a bottom, front, right perspective view thereof.

1 Claim, 6 Drawing Sheets



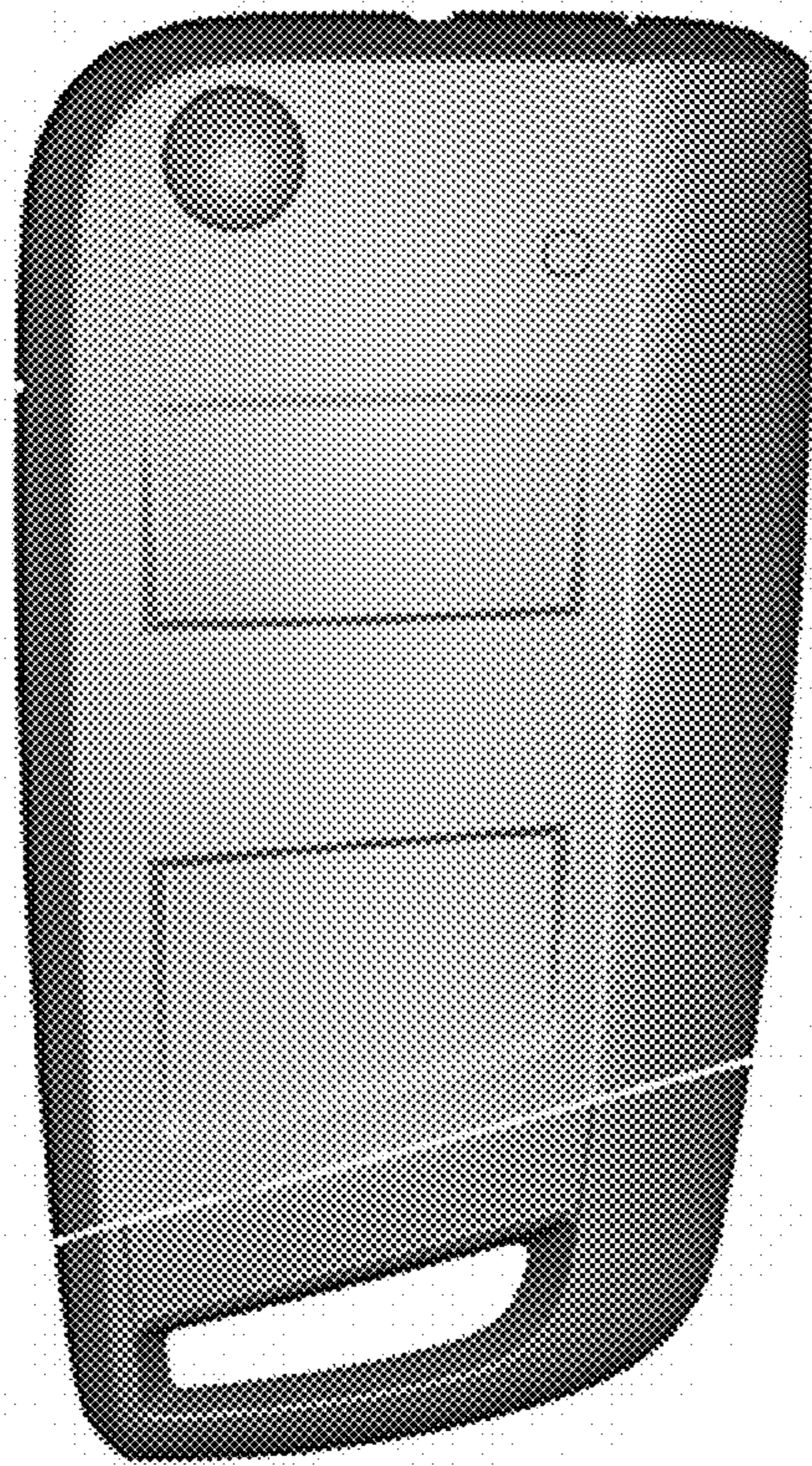


Fig. 1

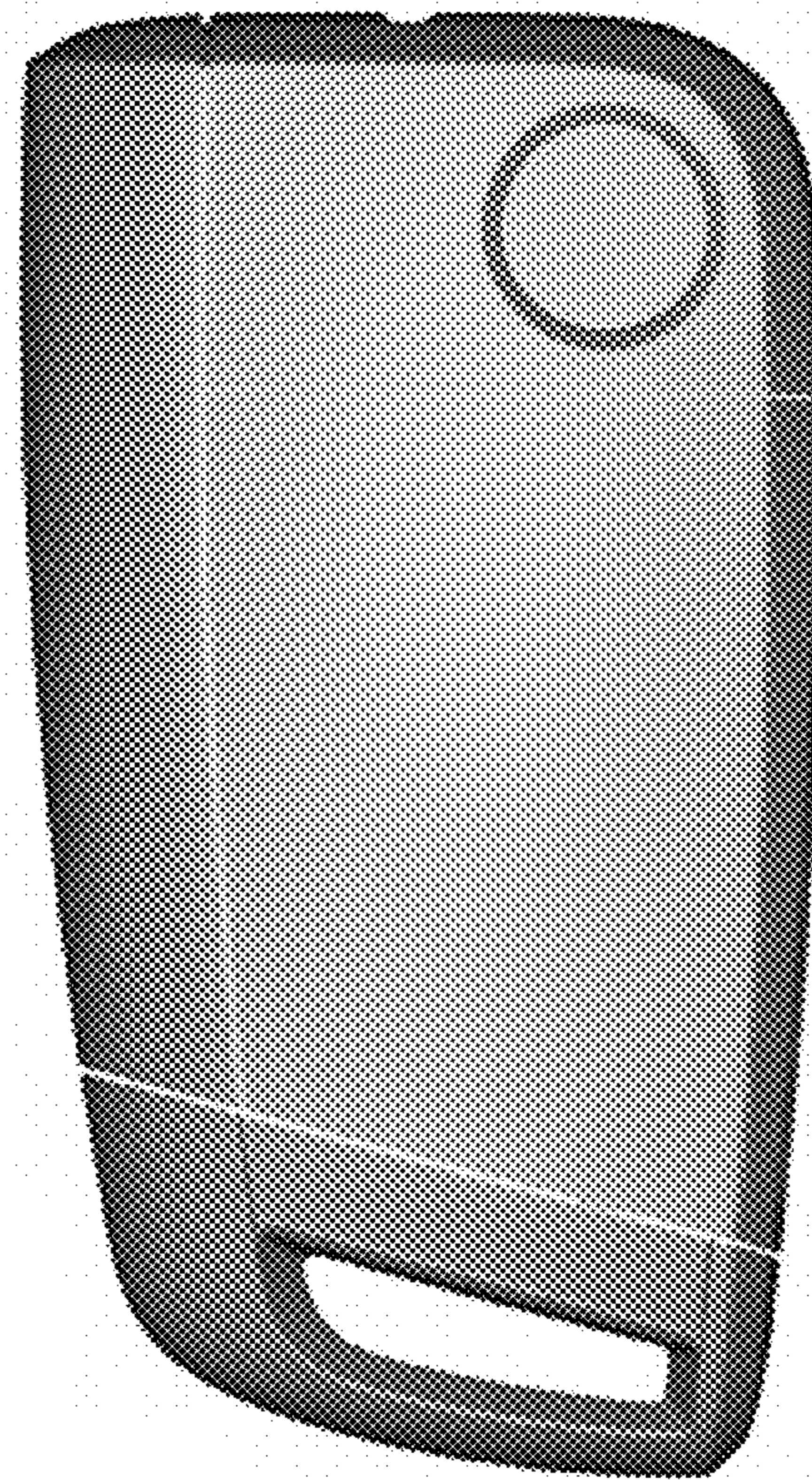


Fig. 2

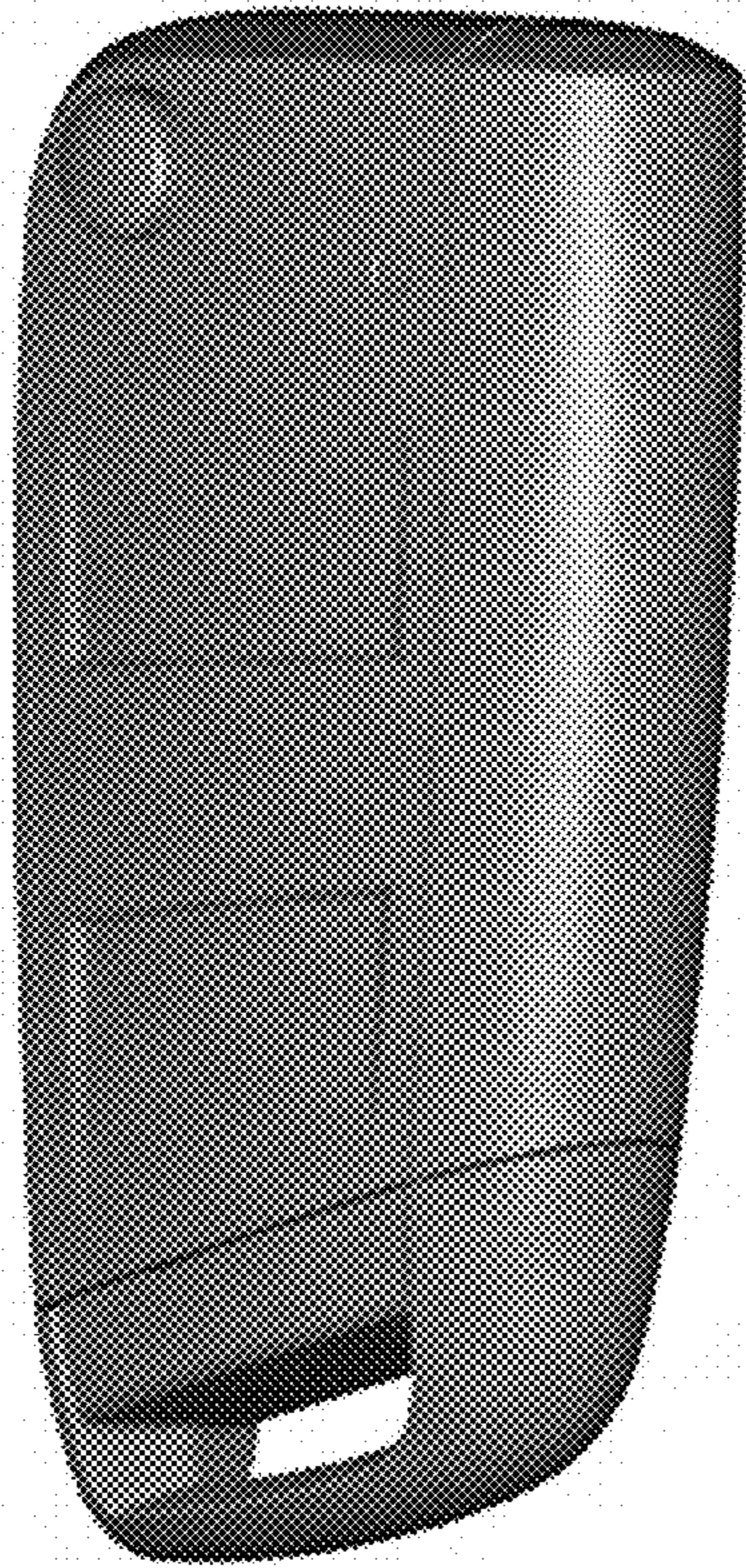


Fig. 3

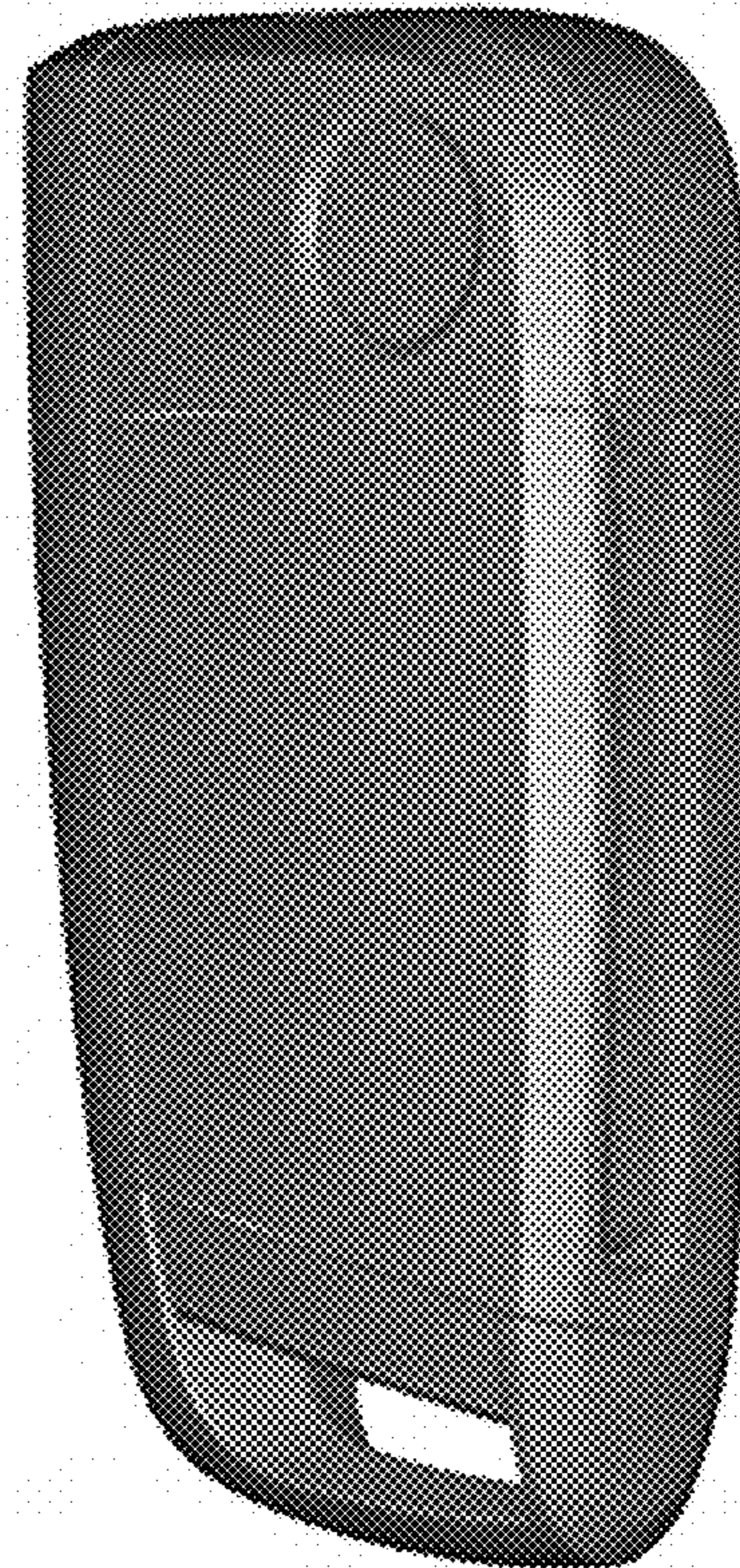


Fig. 4



Fig. 5

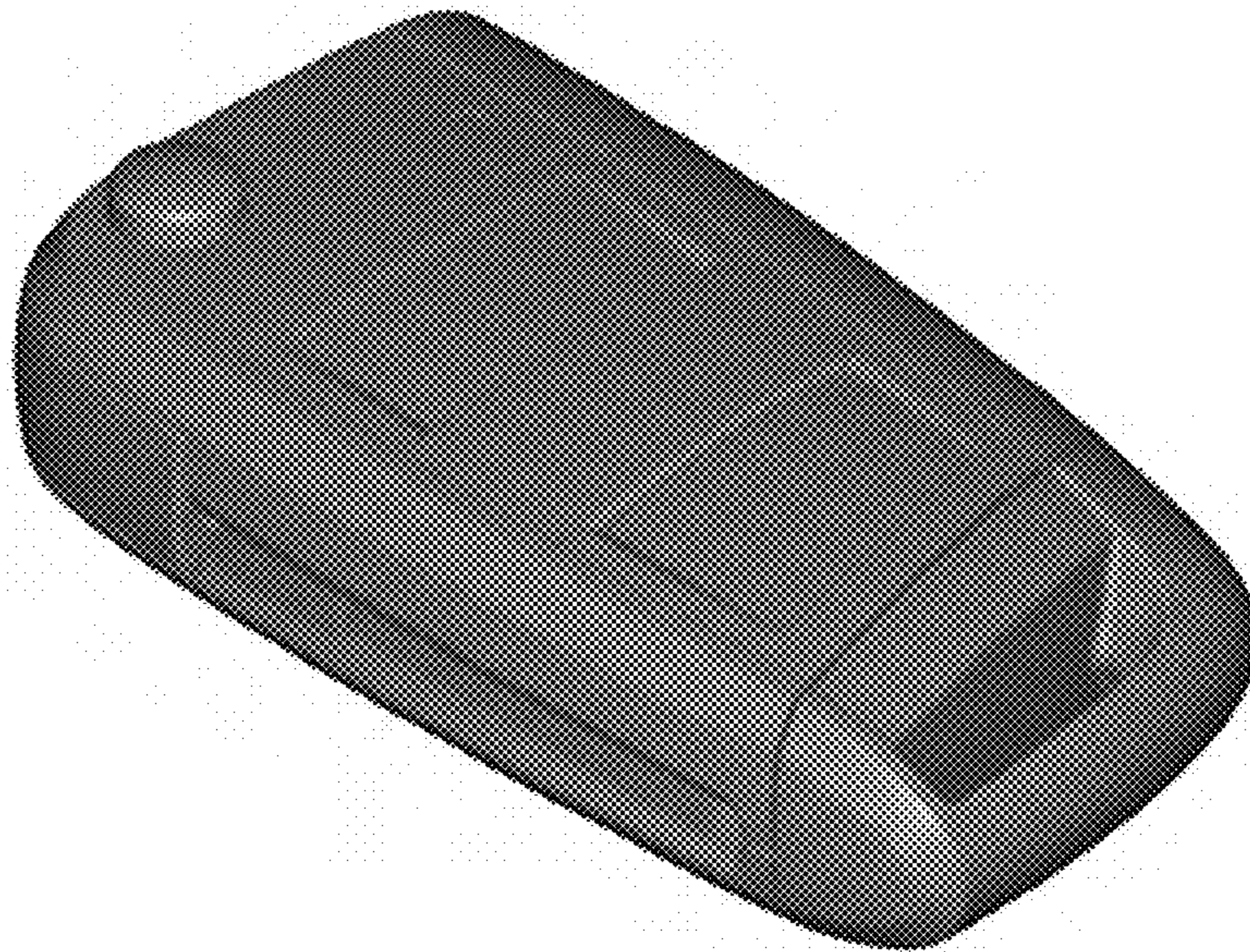


Fig. 6

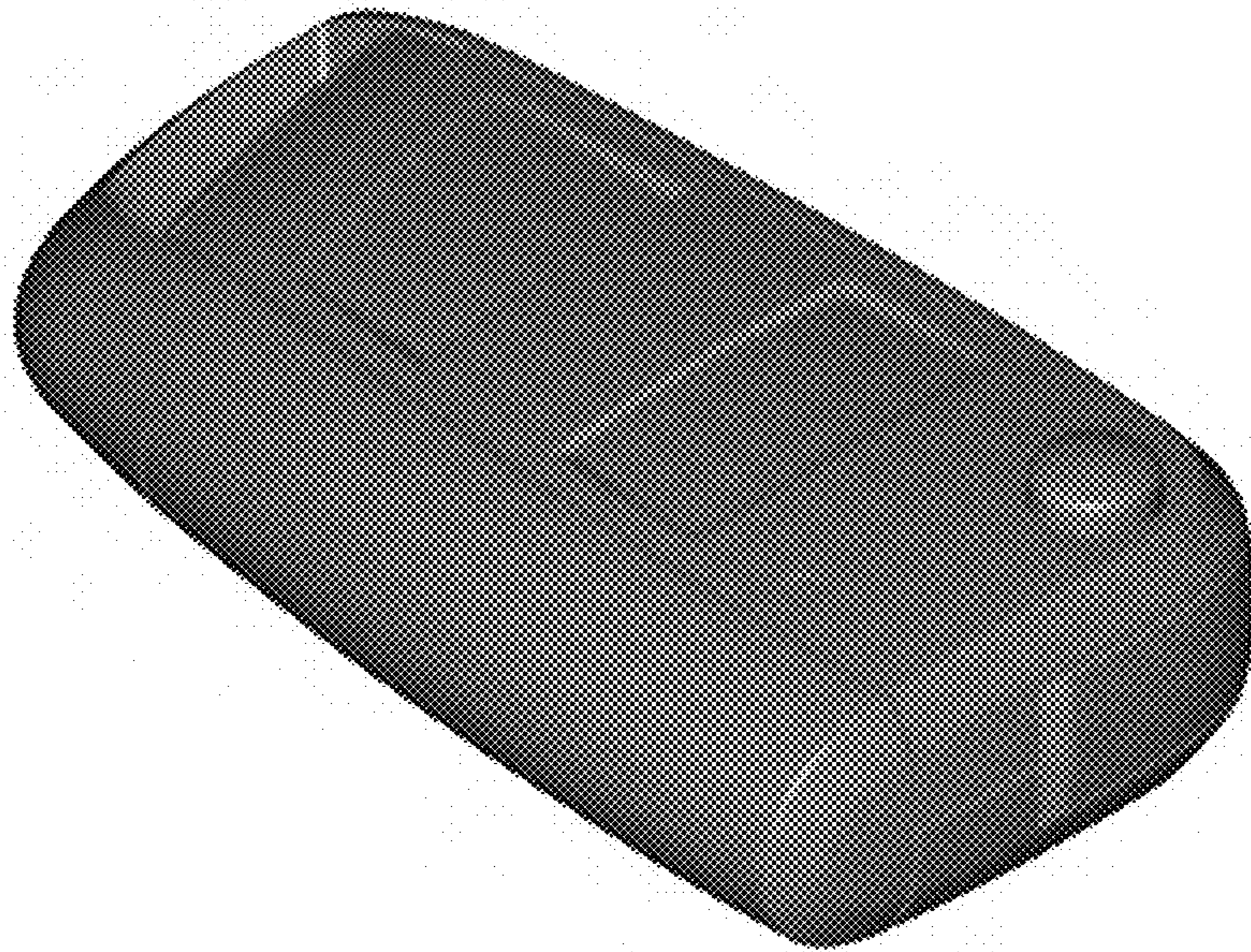


Fig. 7

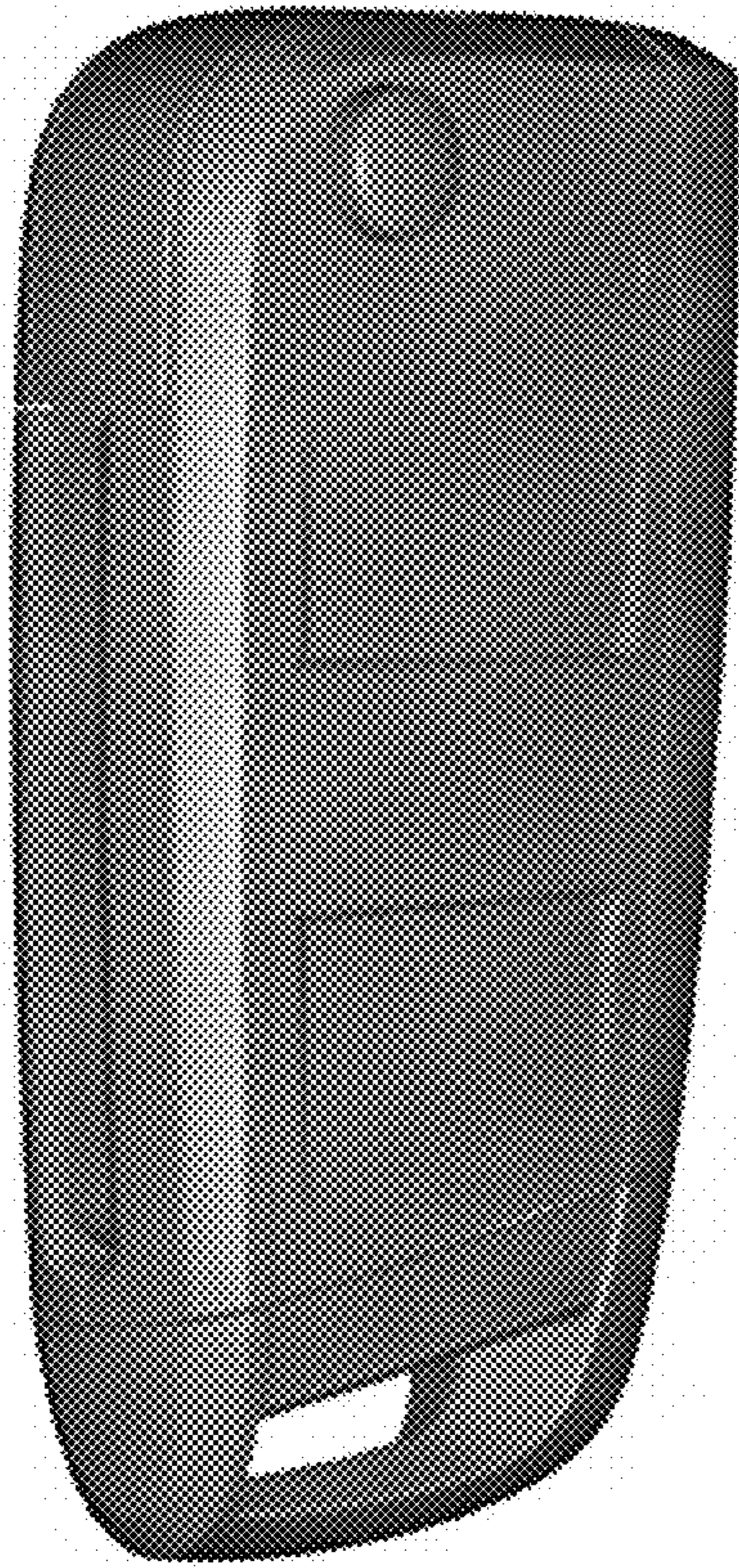


Fig. 8



Fig. 9

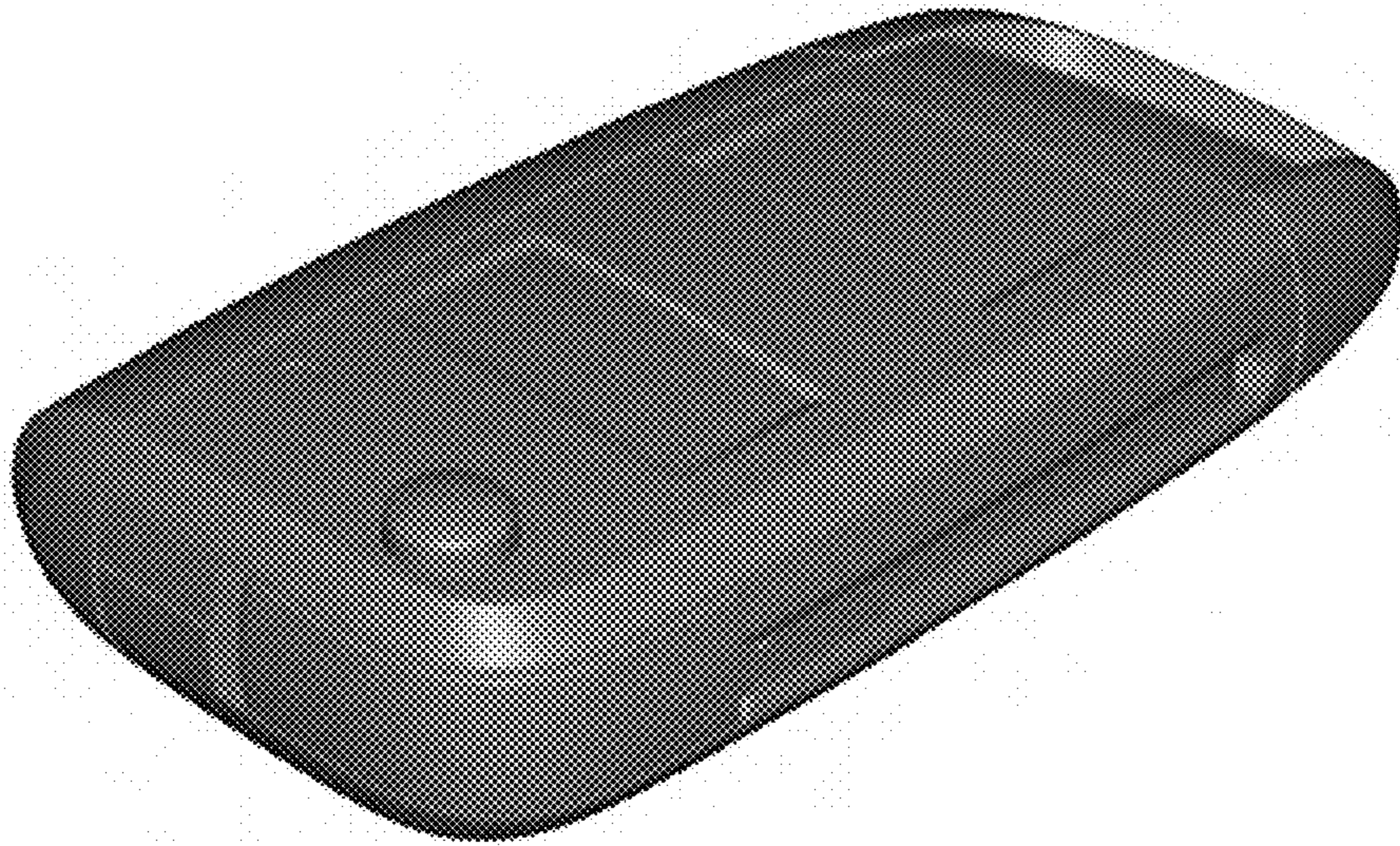


Fig. 10

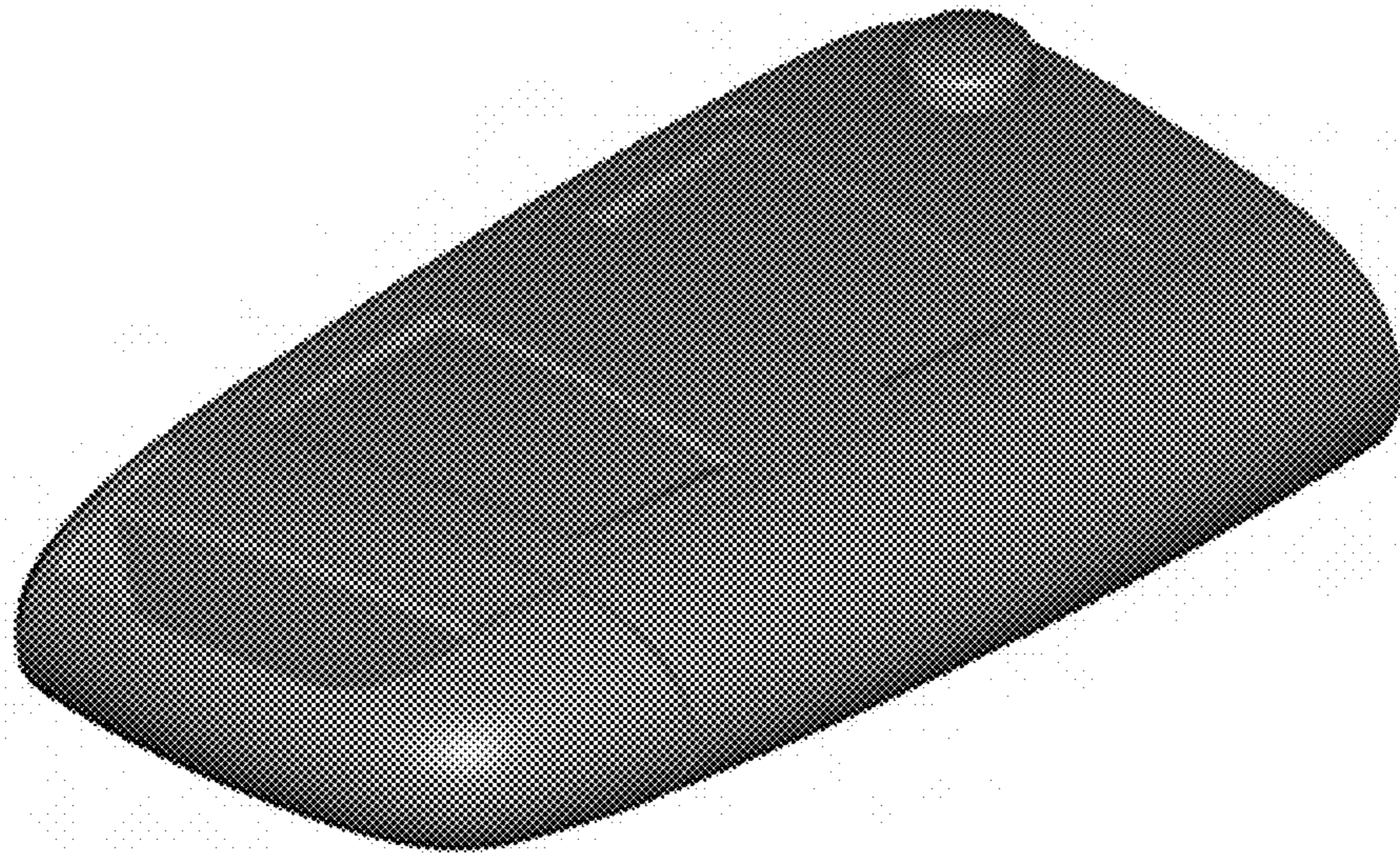


Fig. 11