

US00D720602S

(12) **United States Design Patent**  
**Paulson et al.**

(10) **Patent No.:** **US D720,602 S**  
(45) **Date of Patent:** **\*\* Jan. 6, 2015**

- (54) **LOCK**
- (71) Applicant: **Master Lock Company LLC**, Oak Creek, WI (US)
- (72) Inventors: **Dean A Paulson**, Milwaukee, WI (US);  
**Scott B. Stevens**, St. Francis, WI (US);  
**Lea Marie Plato**, Shorewood, WI (US)
- (73) Assignee: **Master Lock Company LLC**, Oak Creek, WI (US)

661,560 A	11/1900	Stall
666,231 A	1/1901	Lawson
767,004 A	8/1904	Muchowicz
1,016,455 A	2/1912	Stone
1,455,770 A	5/1923	Anderson
1,490,987 A	4/1924	Soref
1,629,388 A	5/1927	Jackson
1,777,424 A	10/1930	Thomas
2,352,190 A *	6/1944	Foote et al. .... 29/437

(Continued)

**OTHER PUBLICATIONS**

Master Lock No. 1 Padlocks Product Description, Master Lock web site, 2003, 2 pages.

(Continued)

*Primary Examiner* — Prabhakar Deshmukh  
(74) *Attorney, Agent, or Firm* — Calfee, Halter & Griswold LLP

**Related U.S. Application Data**

- (62) Division of application No. 29/430,637, filed on Aug. 28, 2012, now Pat. No. Des. 703,024.
- (51) **LOC (10) Cl.** ..... **08-07**
- (52) **U.S. Cl.**  
USPC ..... **D8/334**
- (58) **Field of Classification Search**  
USPC ..... D8/330, 331, 334, 338, 336, 345, 339;  
70/14, 18, 20, 24, 25, 31, 35, 38 R,  
70/38 A, 38 B, 38 C, 51-56, 91, 141,  
70/DIG. 3, DIG. 4, DIG. 43, DIG. 56  
See application file for complete search history.

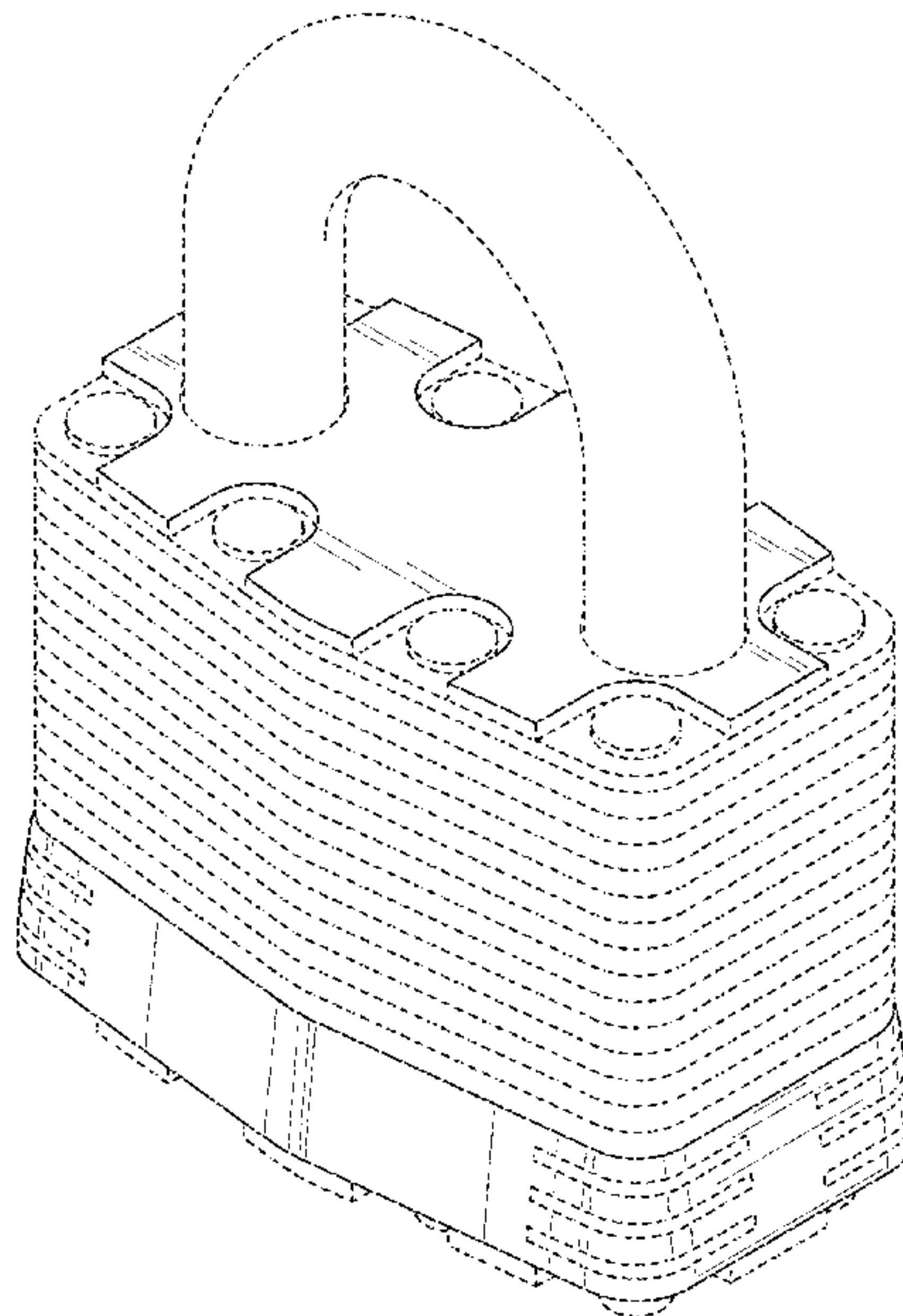
(57) **CLAIM**  
We claim the ornamental design for a lock, as shown and described.

**DESCRIPTION**

FIG. 1 is a perspective view of a lock showing our new design; FIG. 2 is a front elevational view of the lock of FIG. 1; FIG. 3 is a rear elevational view of the lock of FIG. 1; FIG. 4 is a right side elevational view of the lock of FIG. 1; FIG. 5 is a left side elevational view of the lock of FIG. 1; FIG. 6 is a top plan view of the lock of FIG. 1; and, FIG. 7 is a bottom plan view of the lock of FIG. 1. The portions of the Figures shown in broken lines are for illustrative purpose only and form no part of the claimed design.

- (56) **References Cited**  
**U.S. PATENT DOCUMENTS**  
  
526,740 A 10/1894 Rapaport  
568,701 A 9/1896 Roberts

**1 Claim, 5 Drawing Sheets**



(56)

References Cited

U.S. PATENT DOCUMENTS

D149,246 S 4/1948 Soref  
 3,395,555 A 8/1968 Hickman  
 D212,170 S 9/1968 Owen et al.  
 3,453,758 A 7/1969 Soref  
 3,626,729 A 12/1971 Fane  
 3,750,431 A 8/1973 Atkinson  
 3,830,085 A 8/1974 Gerlach  
 3,835,767 A 9/1974 Peterson  
 3,848,440 A \* 11/1974 Manuel ..... 70/55  
 3,858,419 A \* 1/1975 Hampton ..... 70/55  
 3,983,725 A 10/1976 Manuel  
 4,224,813 A 9/1980 Hampton  
 4,226,100 A 10/1980 Hampton et al.  
 4,317,344 A 3/1982 Barnard  
 D32,638 S 5/1990 Voight  
 D325,158 S \* 4/1992 Lebrecht ..... D8/346  
 5,253,496 A 10/1993 Wang  
 D352,223 S 11/1994 Shieh  
 5,372,019 A 12/1994 Hsiao  
 D360,125 S 7/1995 Taylor  
 D392,540 S 3/1998 McDaid  
 5,727,405 A 3/1998 Cromwell  
 D395,224 S 6/1998 Turner  
 5,761,935 A 6/1998 Adelmeyer  
 D400,078 S 10/1998 Adelmeyer  
 D402,532 S 12/1998 Turner  
 D406,044 S 2/1999 Turner  
 D408,252 S 4/1999 Holland-Letz  
 D408,261 S 4/1999 Gregory  
 D408,262 S 4/1999 Gregory  
 D423,324 S 4/2000 Liu  
 D423,908 S 5/2000 Liu  
 D433,310 S 11/2000 Luquire  
 D433,311 S 11/2000 Luquire  
 D442,059 S 5/2001 Turner  
 D449,509 S 10/2001 Liu  
 D454,486 S 3/2002 Striebel  
 6,530,248 B1 3/2003 Parker  
 6,539,754 B1 4/2003 Fang  
 D484,391 S 12/2003 Hackbarth et al.  
 D484,777 S 1/2004 Ruan  
 D486,721 S 2/2004 Ling  
 6,705,134 B2 3/2004 Miranda  
 6,708,522 B2 3/2004 Lavikainen et al.  
 D489,244 S 5/2004 Vito  
 D491,044 S 6/2004 Vito

6,766,673 B2 7/2004 Gast et al.  
 6,769,277 B1 8/2004 Chang  
 6,813,914 B2 11/2004 Chen  
 D516,896 S 3/2006 Kearns et al.  
 D520,339 S 5/2006 Heppner  
 D524,145 S 7/2006 Heppner  
 D528,401 S 9/2006 Ruan  
 D528,402 S 9/2006 Ruan  
 D529,368 S 10/2006 Ruan  
 D529,369 S 10/2006 Ruan  
 D529,786 S 10/2006 Heppner  
 D533,764 S 12/2006 Heppner  
 D537,320 S \* 2/2007 Kearns et al. .... D8/334  
 D537,703 S 3/2007 Kearns et al.  
 D541,631 S 5/2007 Heppner  
 D547,161 S 7/2007 Blomstrom et al.  
 D558,025 S 12/2007 Rohde et al.  
 D578,864 S 10/2008 Rohde et al.  
 D587,985 S 3/2009 Zorc et al.  
 D587,986 S 3/2009 Zorc et al.  
 D587,987 S \* 3/2009 Zorc et al. .... D8/343  
 7,533,649 B2 5/2009 Kemnitz et al.  
 D595,112 S \* 6/2009 Zorc et al. .... D8/343  
 D605,928 S 12/2009 Stevens et al.  
 D606,382 S 12/2009 Stevens  
 D606,842 S 12/2009 Stevens et al.  
 D637,888 S \* 5/2011 Zheng ..... D8/334  
 D638,684 S 5/2011 Stevens  
 D646,148 S 10/2011 Good et al.

OTHER PUBLICATIONS

Master Lock No. 5 Padlocks Product Description, Master Lock web site, 2003, 2 pages.  
 Master Lock No. 15 Padlocks Product Description, Master Lock web site, 2003, 1 page.  
 Master Lock, Laminated Padlocks—No. MIXD, Product Description, Master Lock web site, 2012, 3 pages.  
 Master Lock, Laminated Padlocks—No. 3UP, Product Description, Master Lock web site, 2012, 3 pages.  
 Lokleg Catalog, 1995, front page.  
 New Zealand Search Report, Application No. 408162, dated Oct. 5, 2006, pp. 2.  
 RCD Information on OHIM 00007244-0002, dated Nov. 30, 2006, <http://oamieuropa.eu/RDCOOnline/Request Manager>, pp. 4.

\* cited by examiner

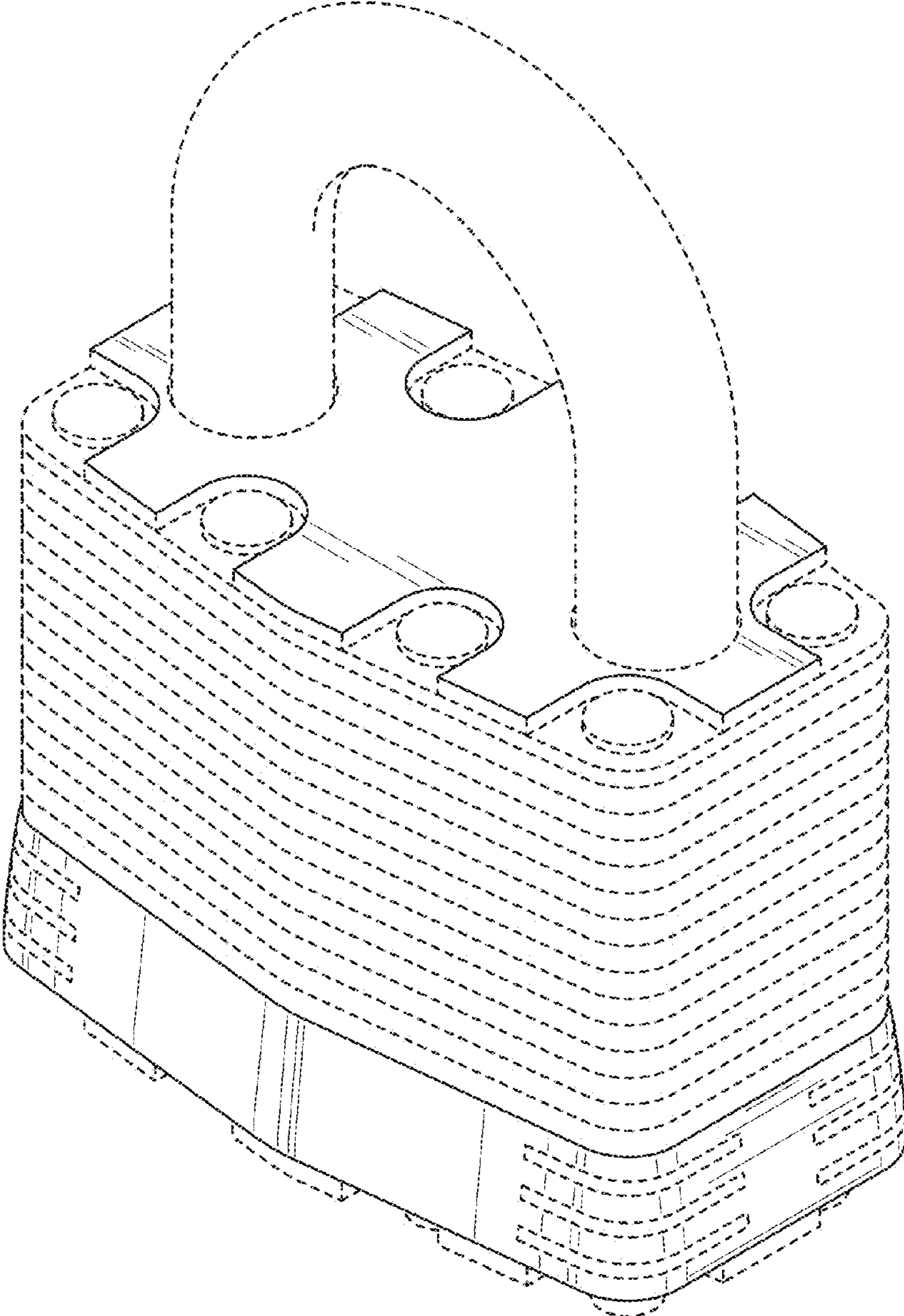


FIG. 1



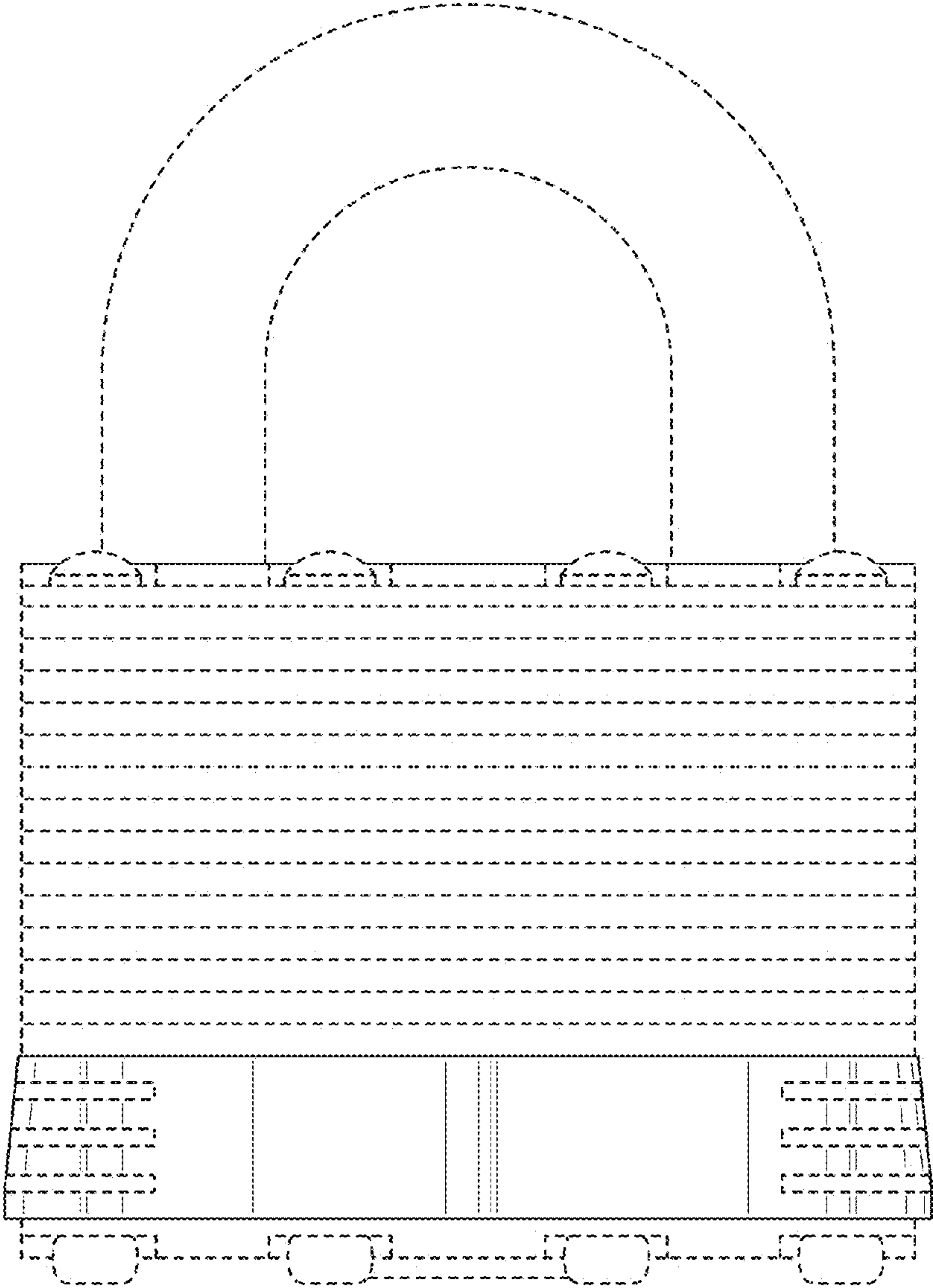


FIG. 2

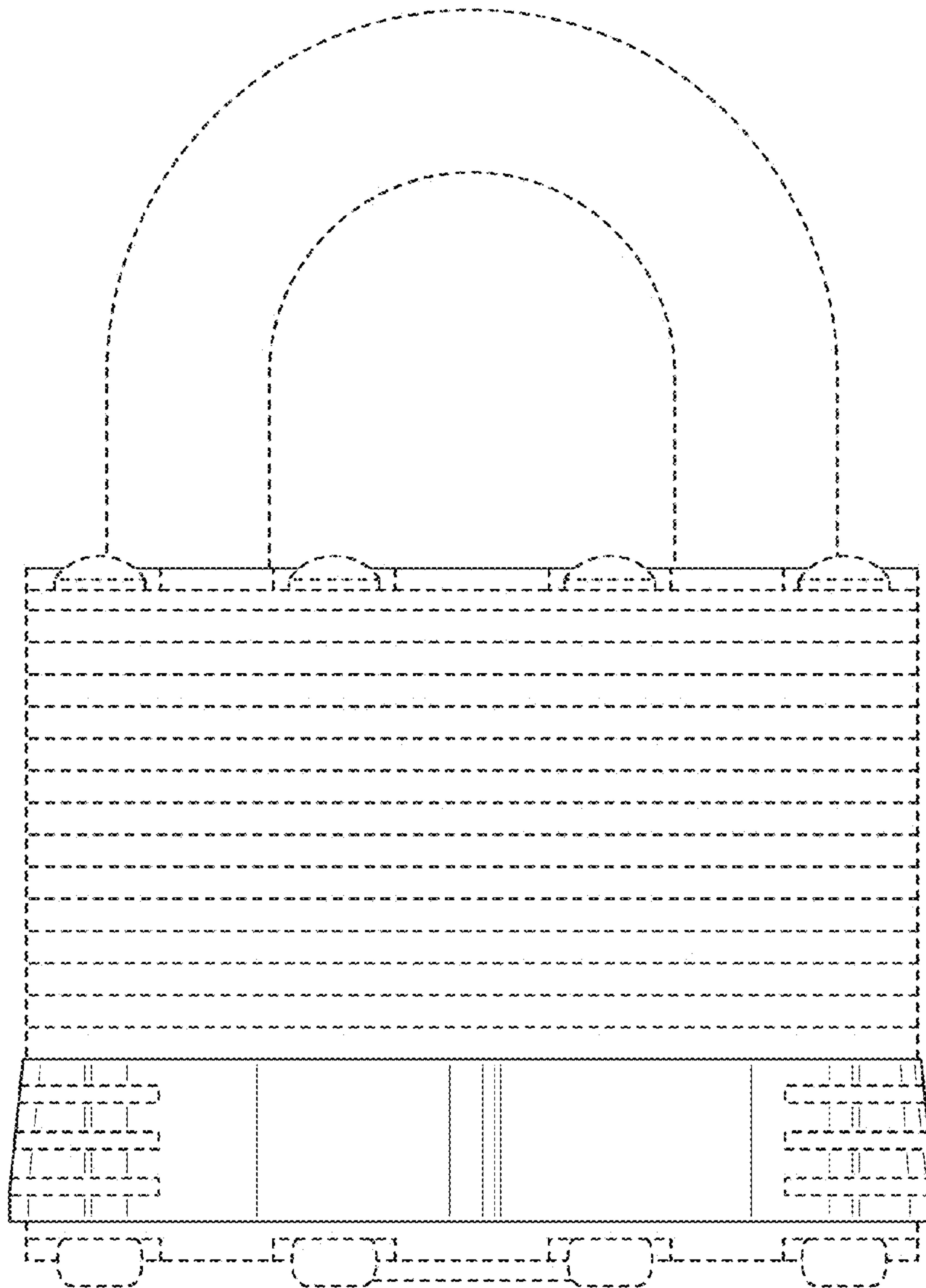


FIG. 3

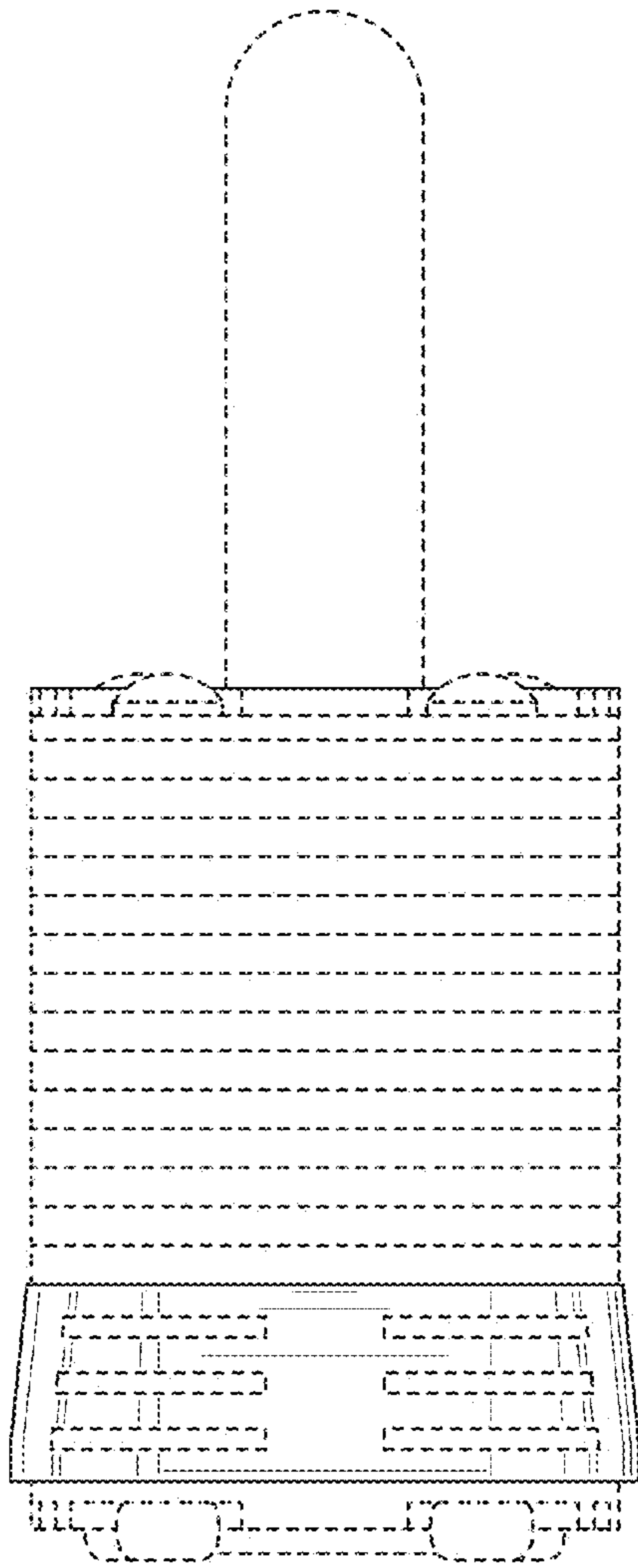


FIG. 4

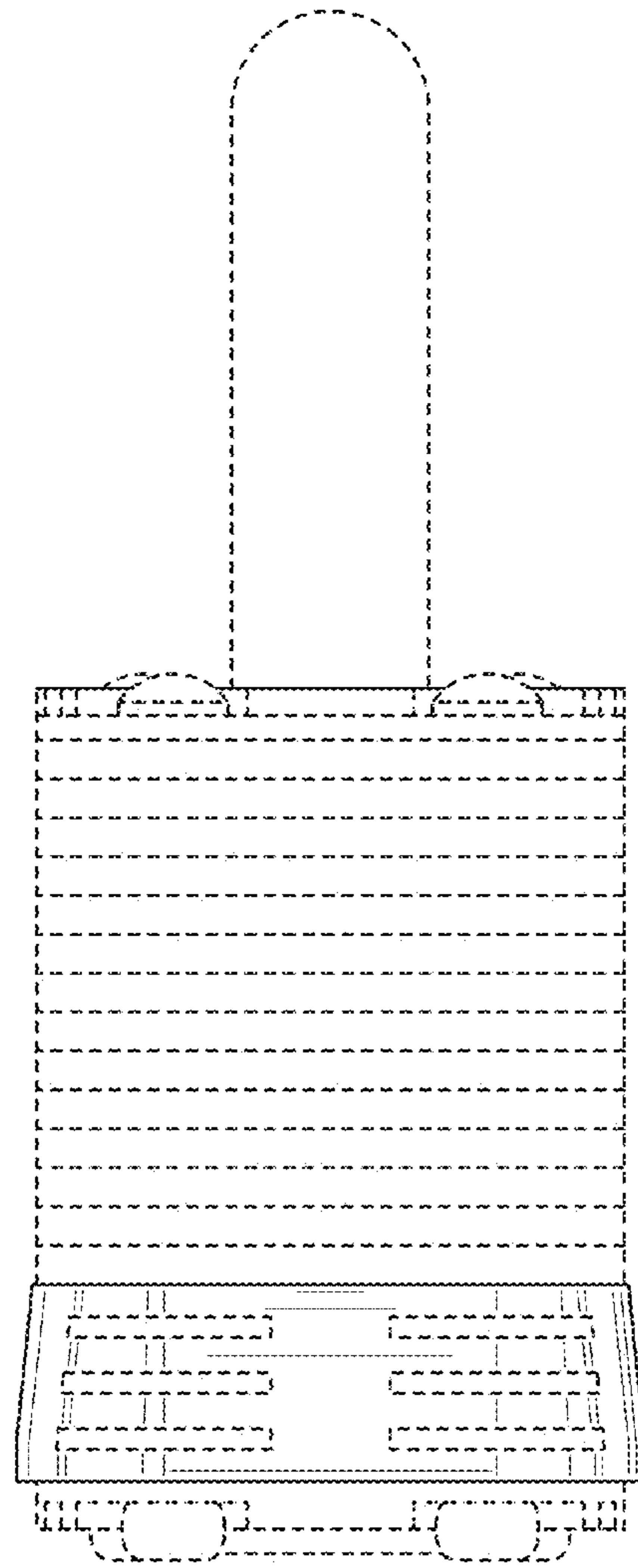


FIG. 5

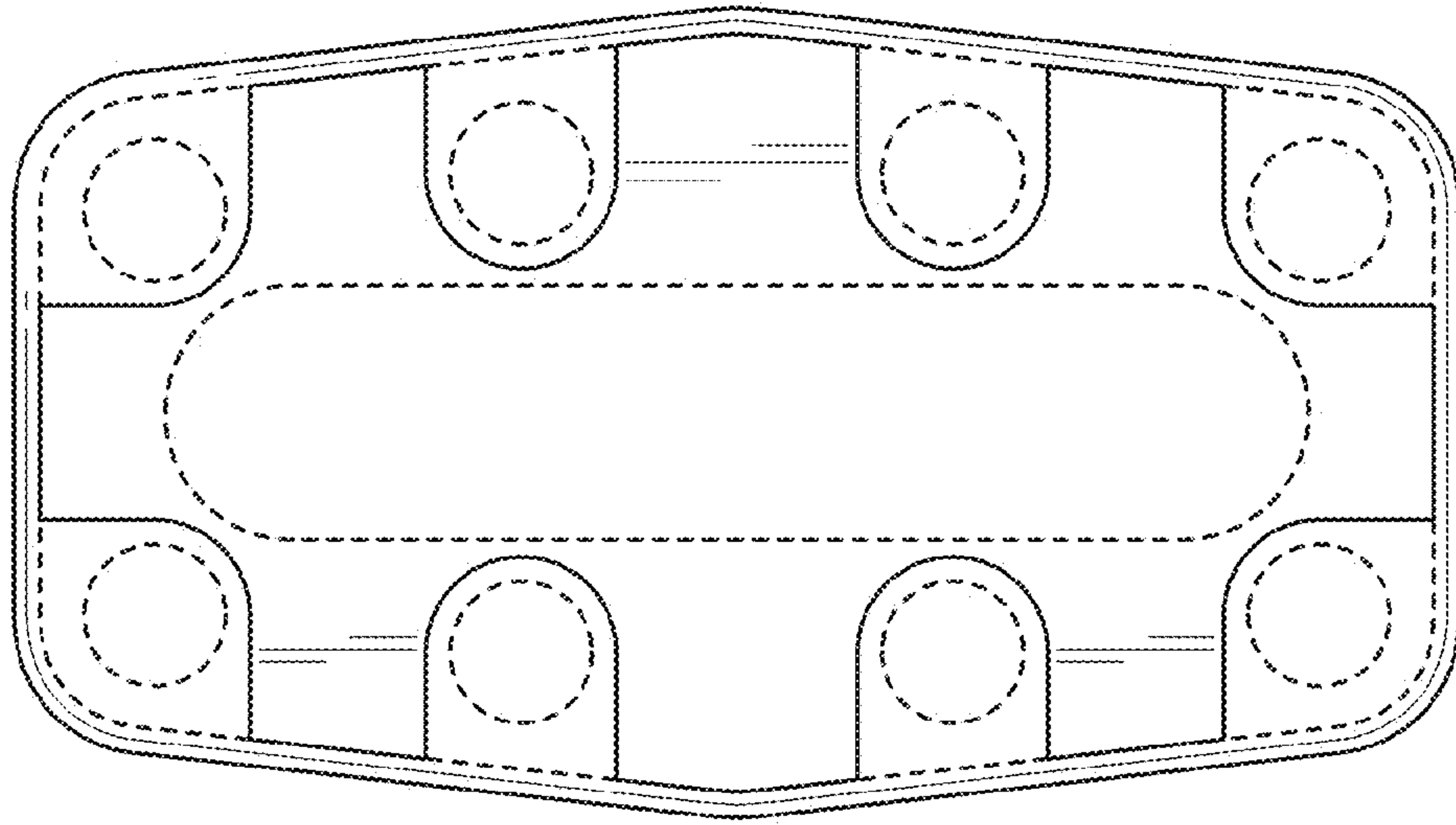


FIG. 6

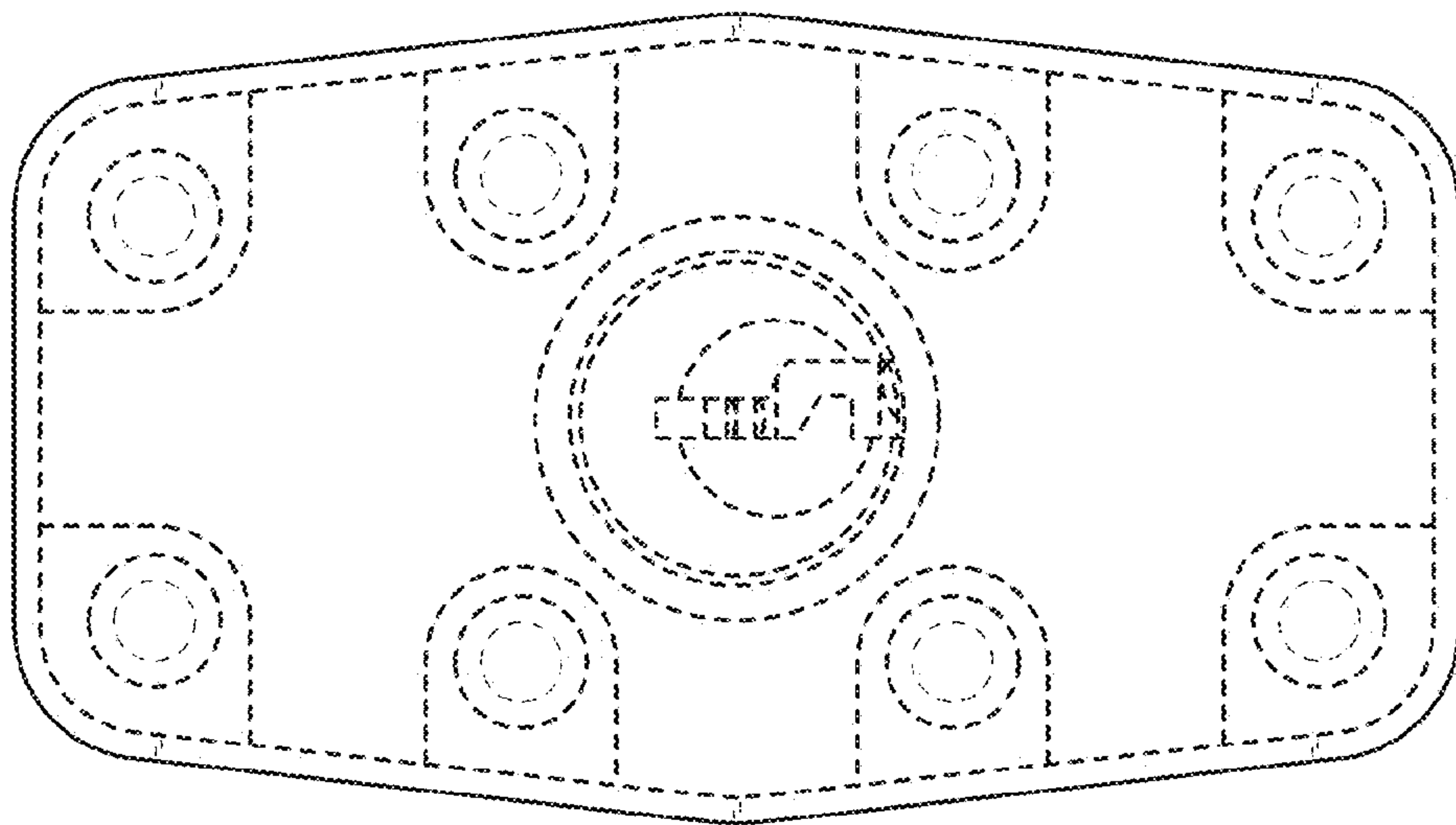


FIG. 7