



US00D720598S

(12) **United States Design Patent**
Dayanikli et al.

(10) **Patent No.:** **US D720,598 S**
(45) **Date of Patent:** **** Jan. 6, 2015**

(54) **LOCK**

(71) Applicants: **Mustafa Dayanikli**, Bursa (TR); **Vehbi Dayanikli**, Bursa (TR)

(72) Inventors: **Mustafa Dayanikli**, Bursa (TR); **Vehbi Dayanikli**, Bursa (TR)

(73) Assignee: **Vemus Endustriyel Elektronik Sanayi Ve Ticaret Limited Sirketi**, Nilufer, Bursa (TR)

(**) Term: **14 Years**

(21) Appl. No.: **29/471,882**

(22) Filed: **Nov. 6, 2013**

(51) **LOC (10) Cl.** **08-07**

(52) **U.S. Cl.**
USPC **D8/330; D8/331**

(58) **Field of Classification Search**
USPC D8/330, 331, 334, 300, 301, 302, 350;
70/14, 20-22, 57, 57.1, 284-286, 314,
70/DIG. 44
See application file for complete search history.

(56) **References Cited**

U.S. PATENT DOCUMENTS

4,637,237 A * 1/1987 Witkoski et al. 70/285
5,475,996 A * 12/1995 Chen 70/279.1

5,841,361 A * 11/1998 Hoffman 340/5.54
6,286,347 B1 * 9/2001 Frolov 70/472
D502,859 S * 3/2005 Peng et al. D8/331
6,865,913 B2 * 3/2005 Yamagishi 70/224
7,091,429 B2 * 8/2006 Case et al. 200/5 A
D552,964 S * 10/2007 Bogdanov et al. D8/343
D576,016 S * 9/2008 Min D8/330
D581,246 S * 11/2008 Conway D8/330
D682,656 S * 5/2013 Cramer et al. D8/331
D696,569 S * 12/2013 Luo D8/331
D698,222 S * 1/2014 Guo D8/330

* cited by examiner

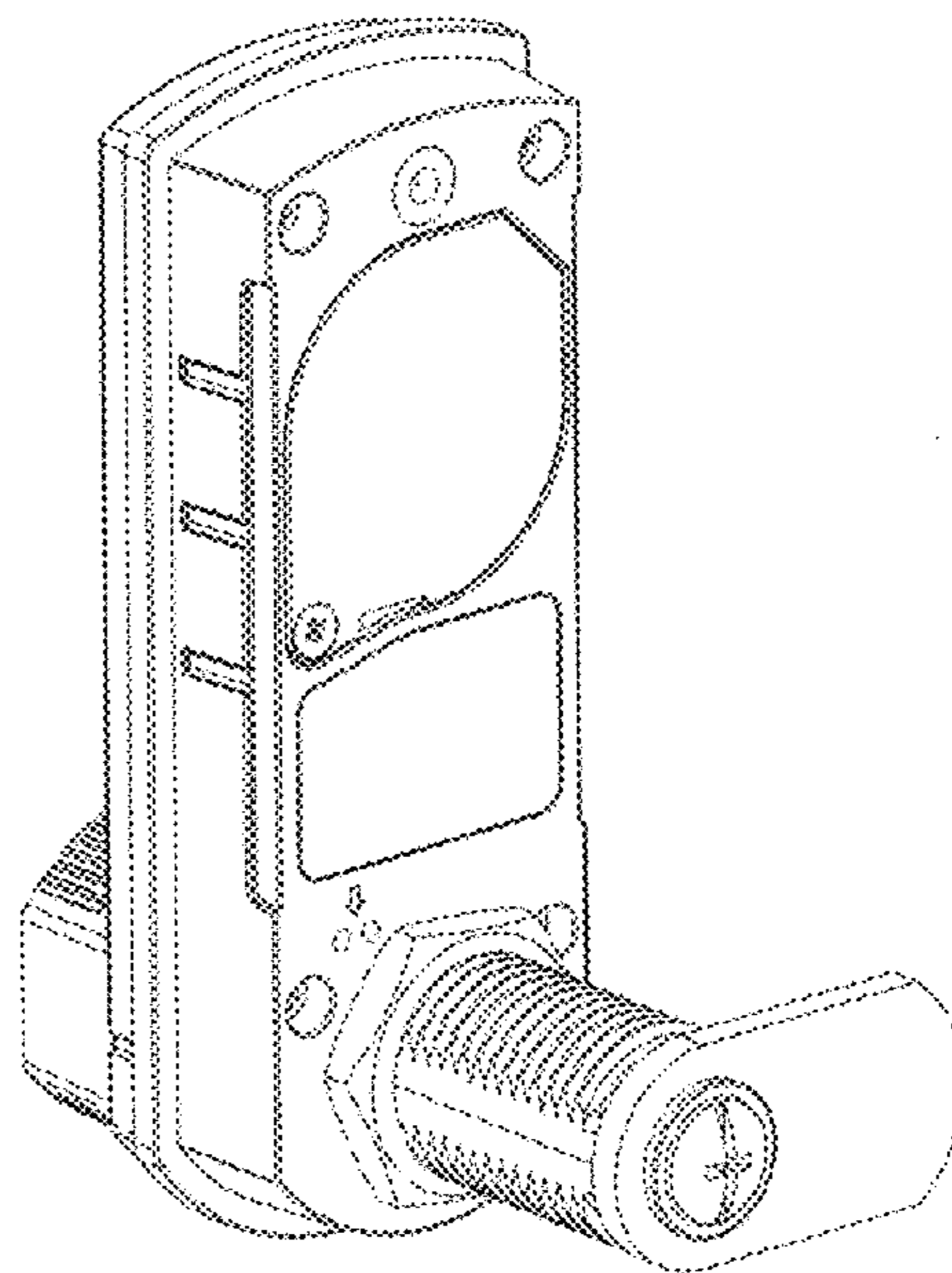
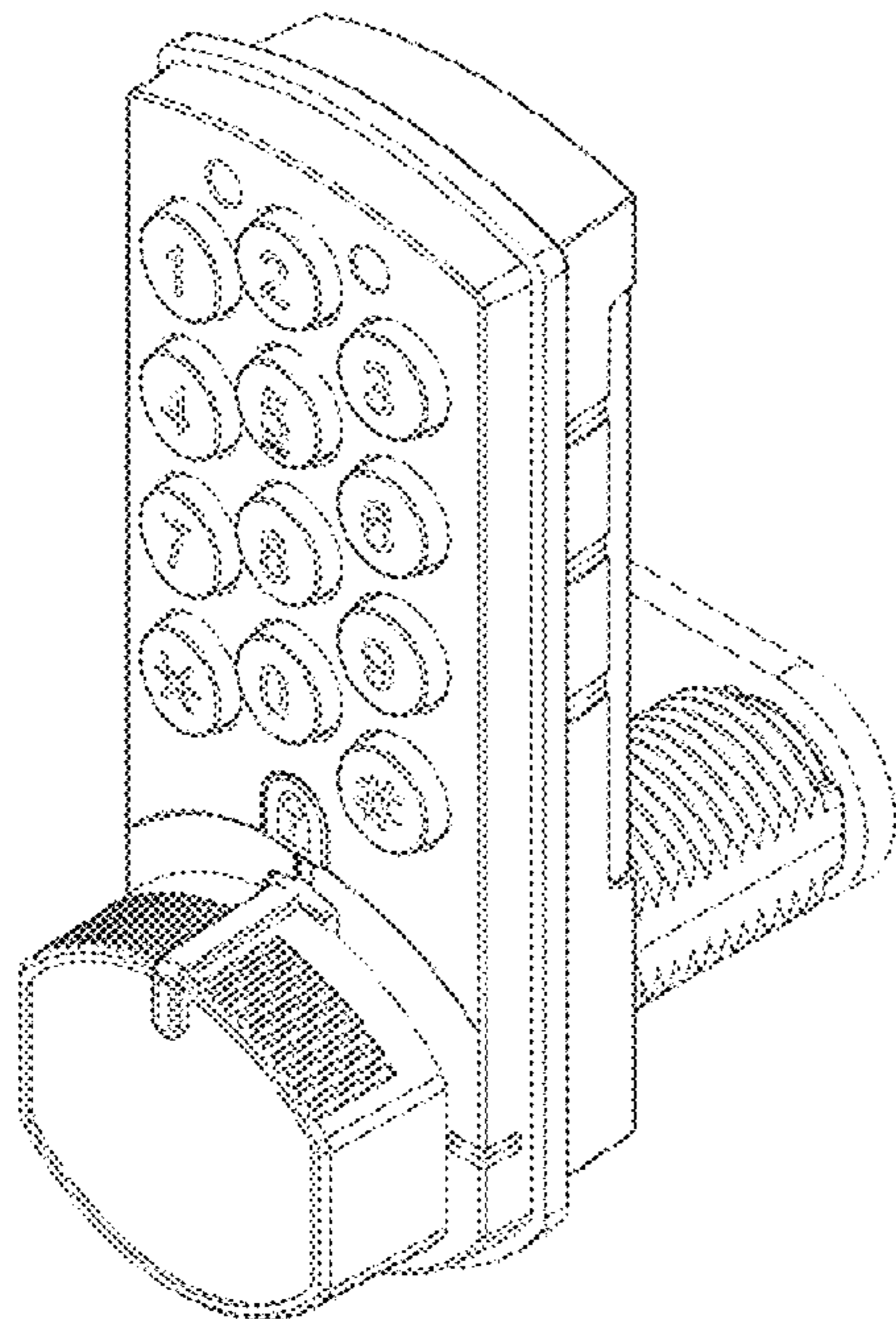
Primary Examiner — Prabhakar Deshmukh
(74) *Attorney, Agent, or Firm* — Egbert Law Offices, PLLC

(57) **CLAIM**
The ornamental design for a lock, as shown and described.

DESCRIPTION

FIG. 1 is a front perspective view of the lock showing our new design.
FIG. 2 is a front view thereof;
FIG. 3 is a rear view thereof;
FIG. 4 is a side view thereof;
FIG. 5 is an opposite side view thereof;
FIG. 6 is a top view thereof;
FIG. 7 is a bottom view thereof;
FIG. 8 is a rear perspective view; and,
FIG. 9 is another rear perspective view.

1 Claim, 9 Drawing Sheets



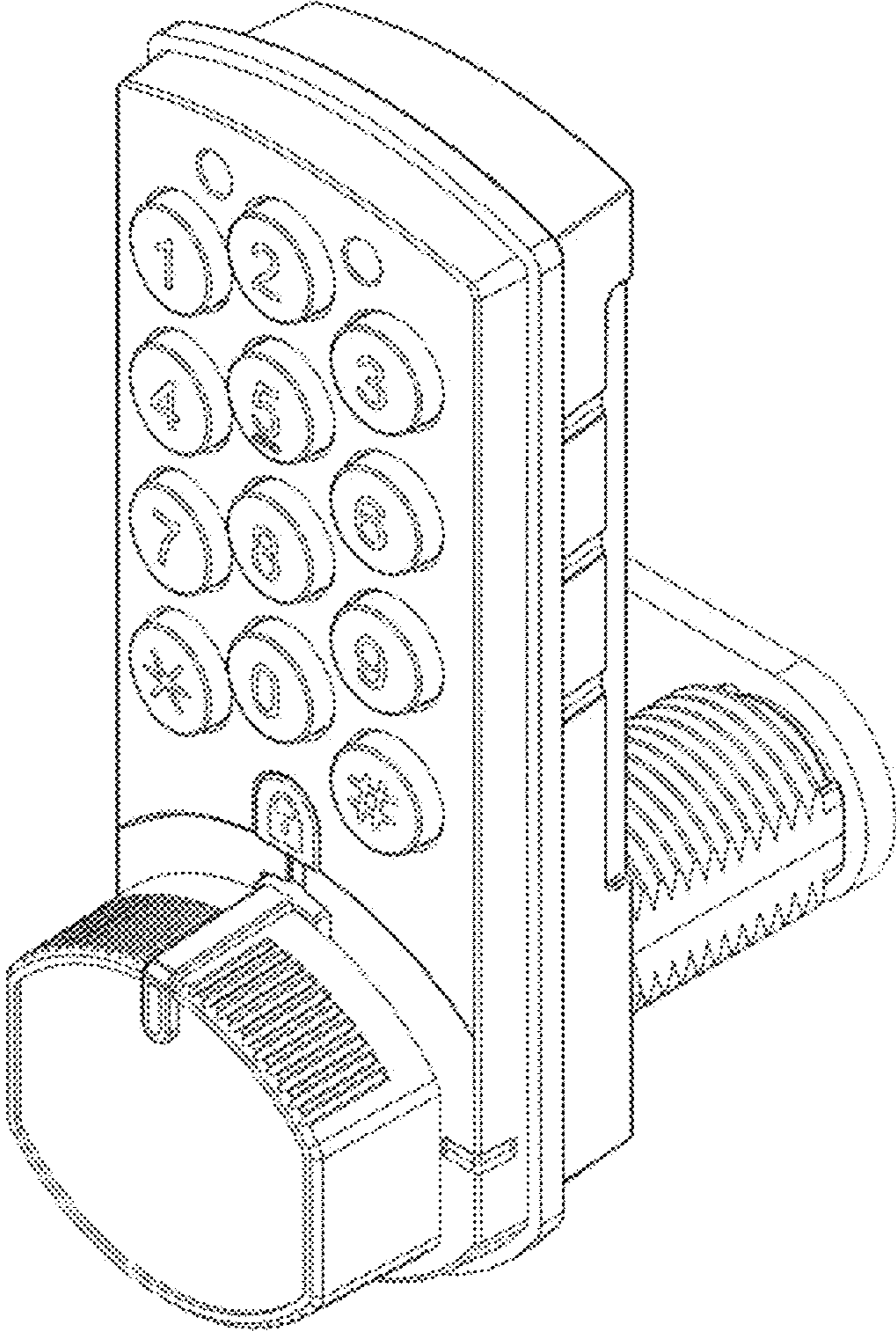


FIGURE 1

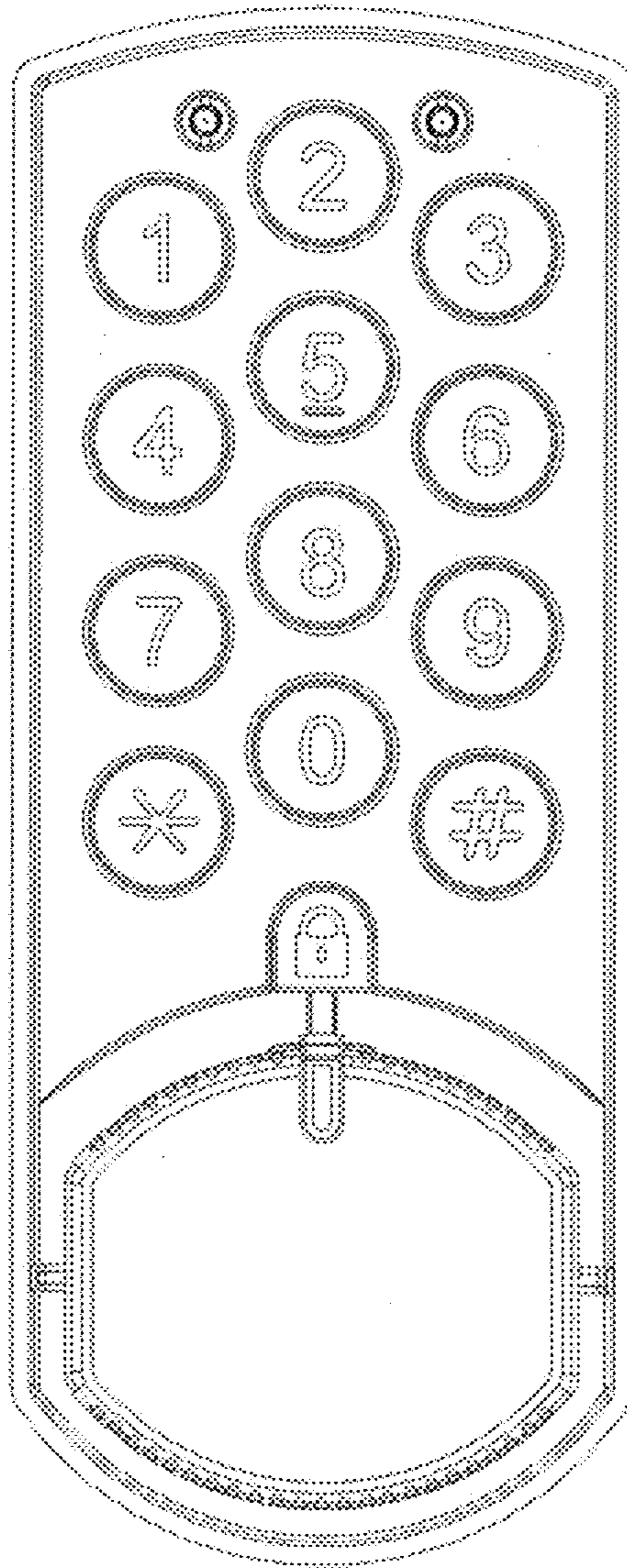


FIGURE 2

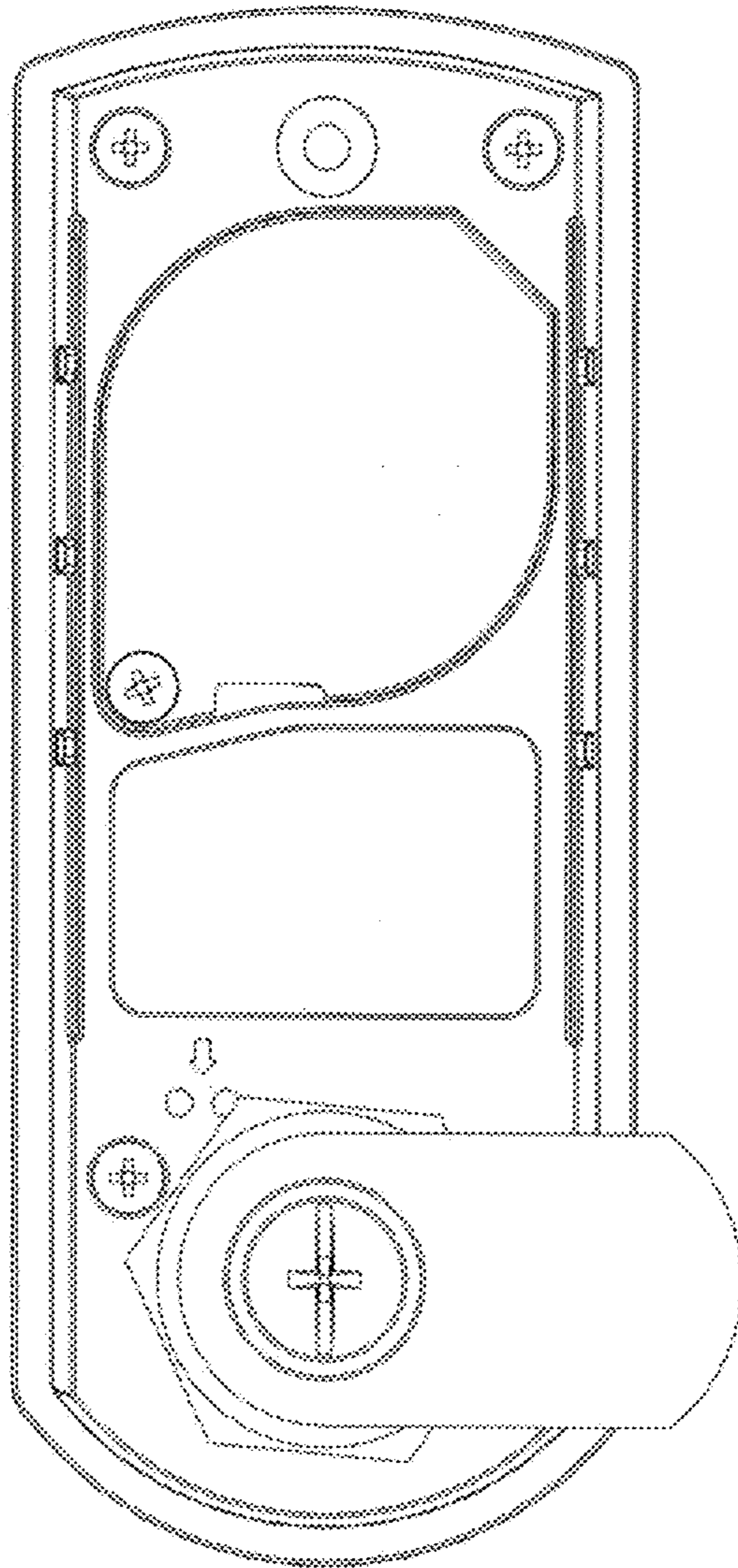


FIGURE 3

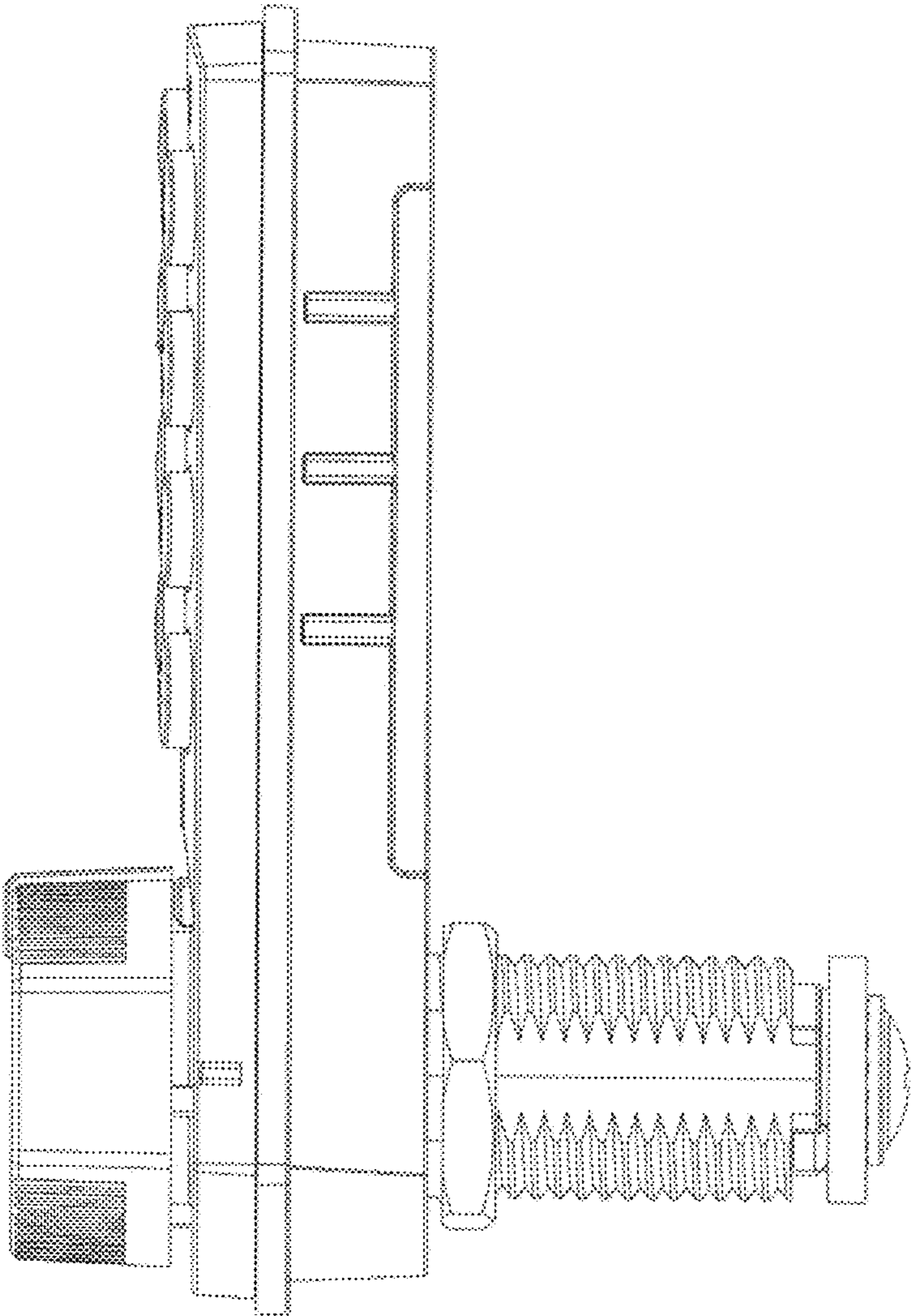


FIGURE 4

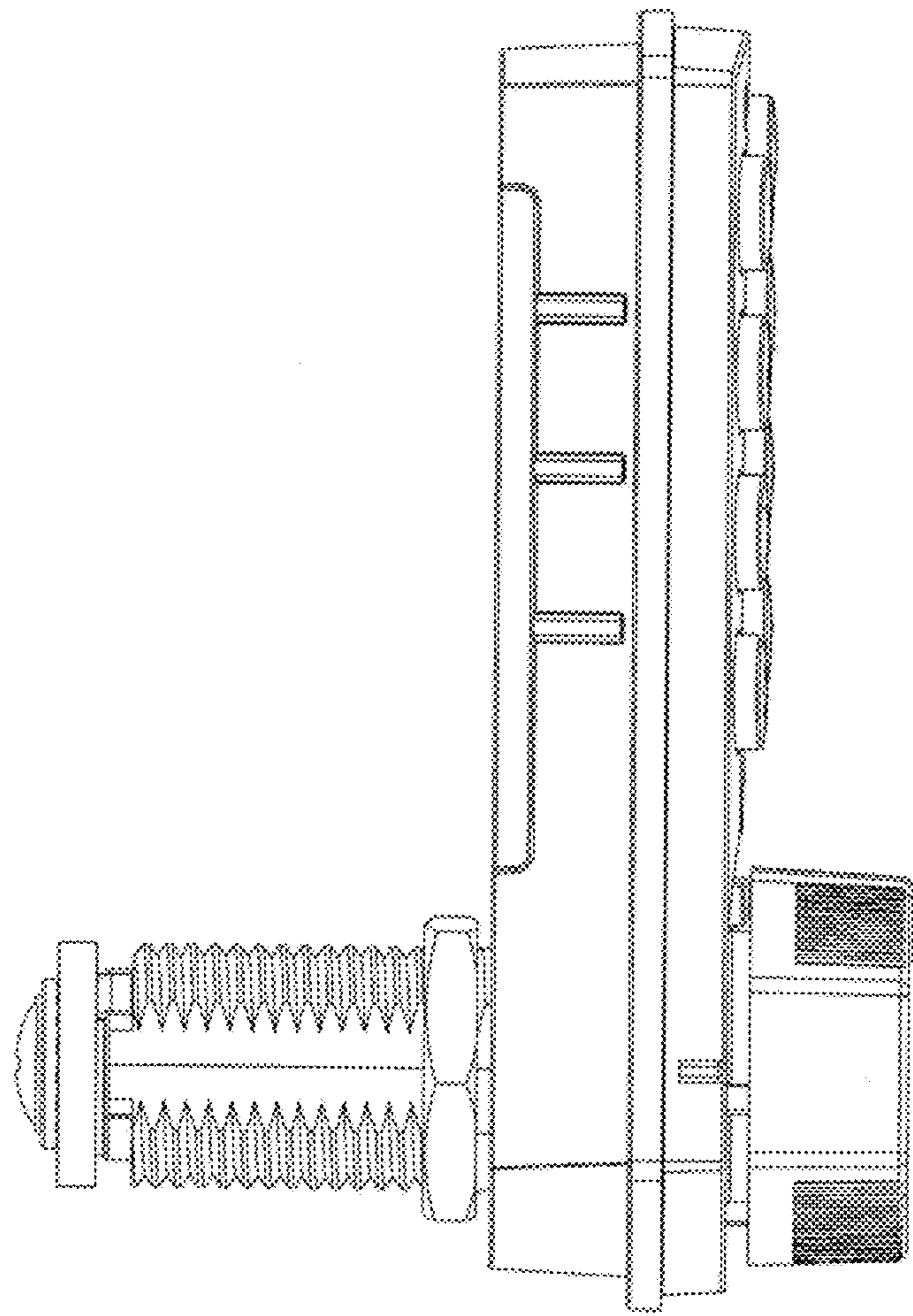


FIGURE 5

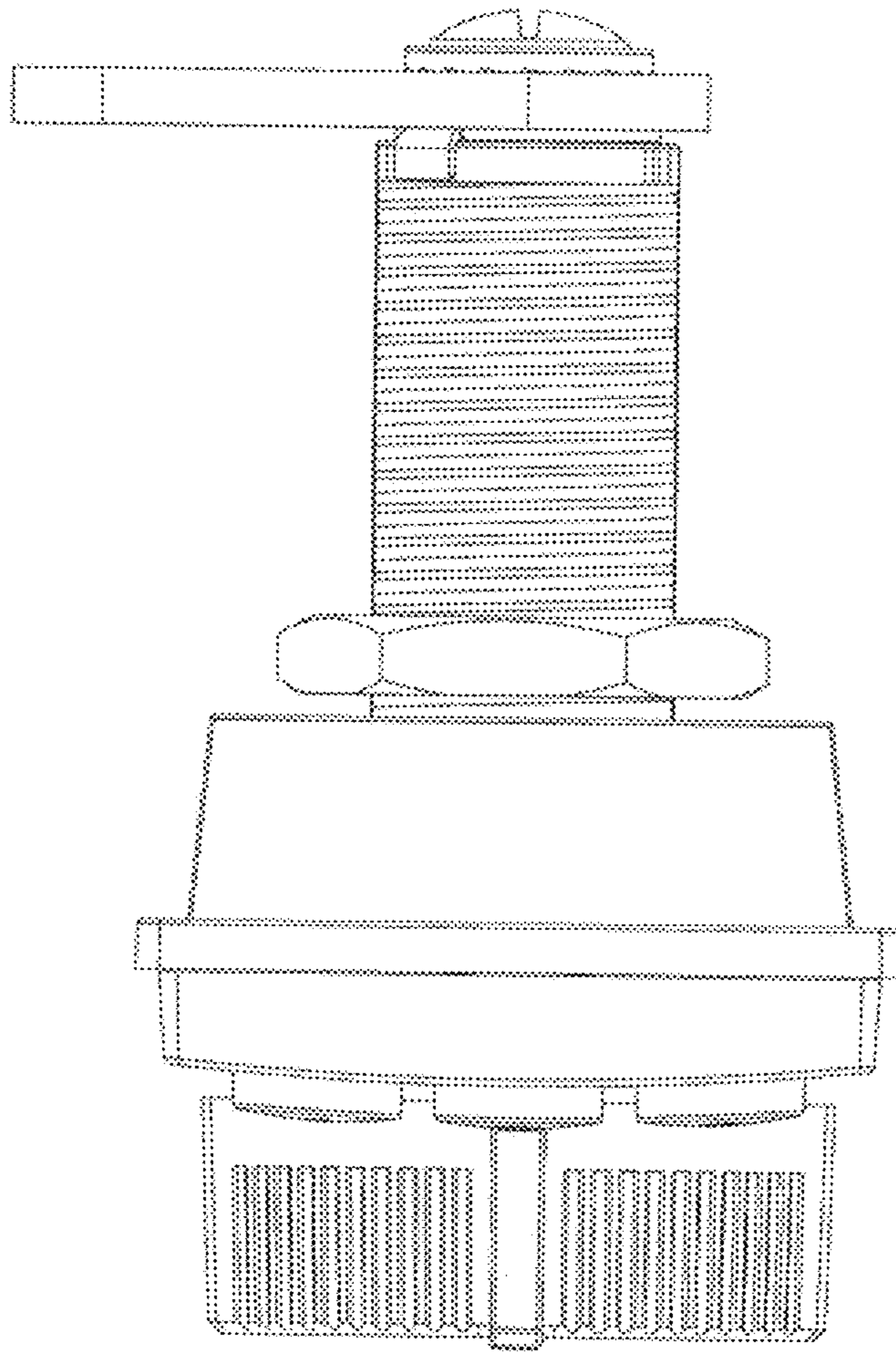


FIGURE 6

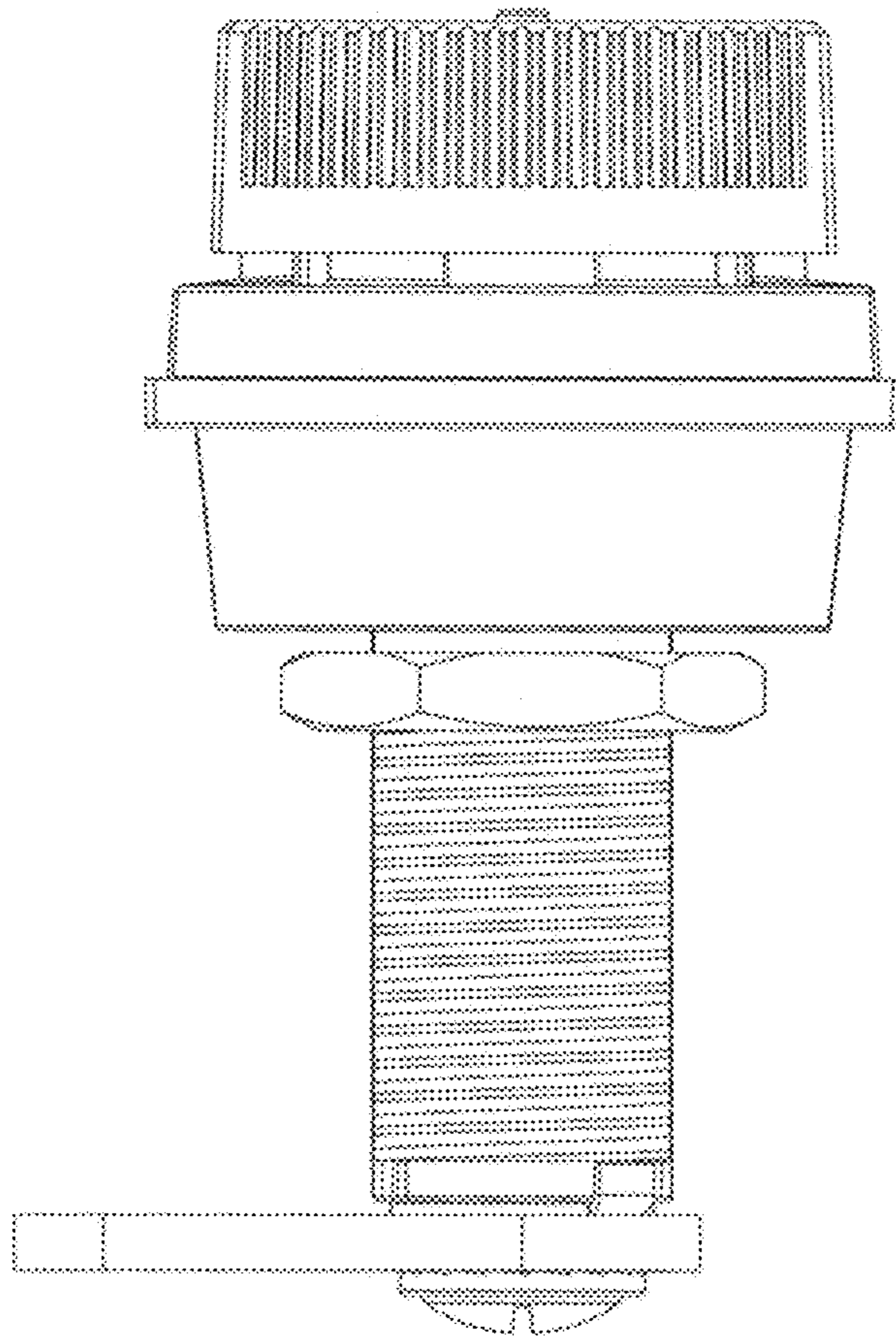


FIGURE 7

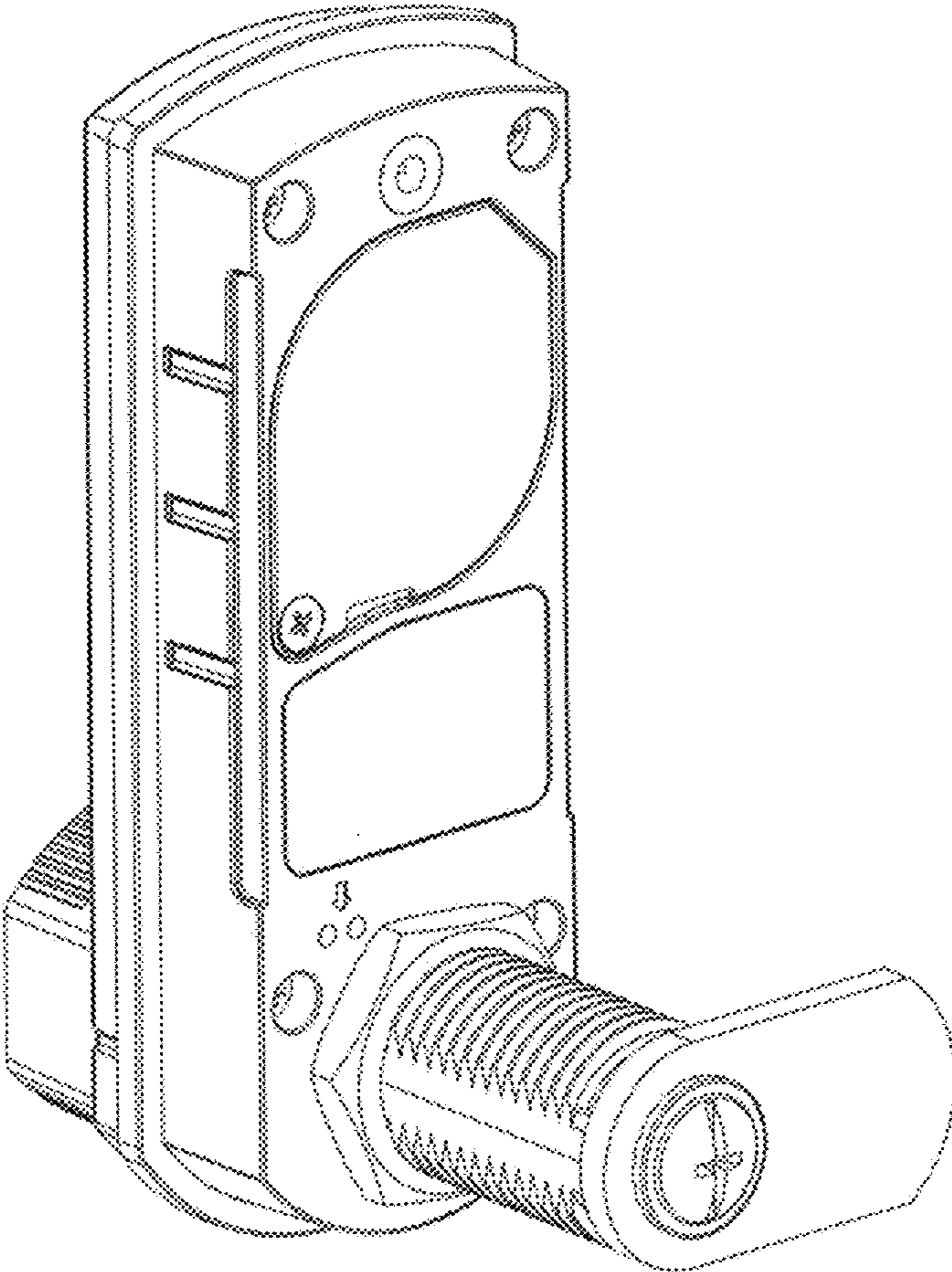


FIGURE 8

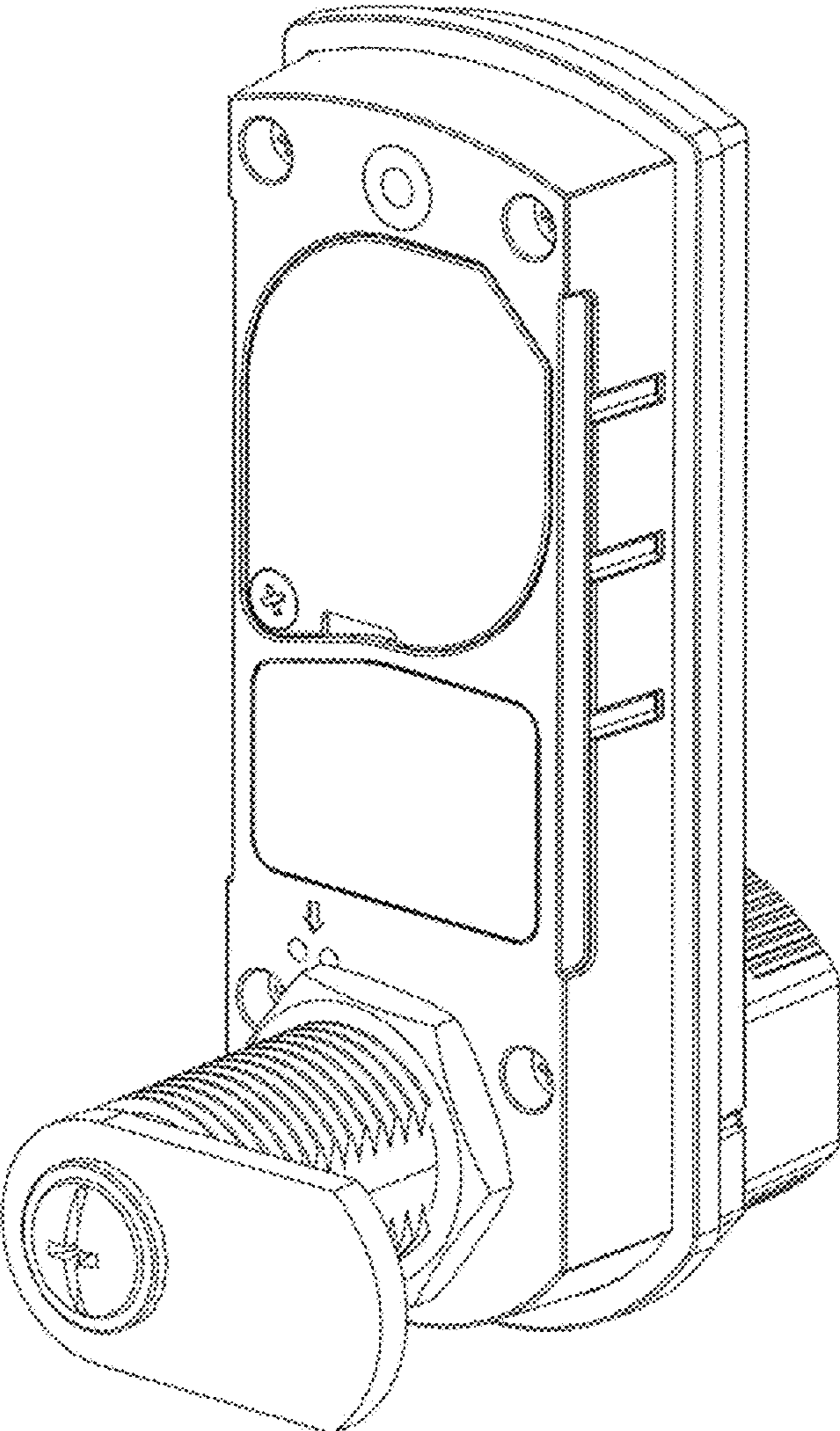


FIGURE 9