



US00D720595S

(12) **United States Design Patent**
Bertani

(10) **Patent No.:** **US D720,595 S**
(45) **Date of Patent:** **** Jan. 6, 2015**

(54) **HANDLE**

(71) Applicant: **Elesa S.p.A.**, Milan (IT)

(72) Inventor: **Alberto Bertani**, Monza (IT)

(73) Assignee: **Elesa S.p.A.**, Milan (IT)

(**) Term: **14 Years**

(21) Appl. No.: **29/478,457**

(22) Filed: **Jan. 6, 2014**

(30) **Foreign Application Priority Data**

Jul. 10, 2013 (EM) 002271973-0002

(51) **LOC (10) Cl.** **08-06**

(52) **U.S. Cl.**
USPC **D8/306**

(58) **Field of Classification Search**

CPC A45C 13/00

USPC D8/306, 302, 338; D3/218, 281, 282,
D3/279; 16/412, 430, 438, 444, 445;
190/39, 115, 121; 70/70; 292/336.3

See application file for complete search history.

(56) **References Cited**

U.S. PATENT DOCUMENTS

2,767,424	A *	10/1956	Knuepfer	16/445
2,871,048	A *	1/1959	Balogh	292/173
3,009,551	A *	11/1961	Kotkins	190/115
D197,202	S *	12/1963	Finkelstein	D8/306
3,185,272	A *	5/1965	Chance	16/409
3,444,967	A *	5/1969	Lautin	16/409
D216,076	S *	11/1969	Marks	D8/306
D230,010	S *	1/1974	Baker	D8/306
D281,665	S *	12/1985	Weinerman et al.	D8/302
D283,977	S *	5/1986	Kunzler	D8/301
4,858,973	A *	8/1989	Ogasawara et al.	292/347
5,533,601	A *	7/1996	Wang	190/115

5,624,012	A *	4/1997	Wang	190/115
D392,099	S *	3/1998	Wang	D3/318
5,855,408	A *	1/1999	Rickabus	296/214

(Continued)

Primary Examiner — Paula Greene

(74) *Attorney, Agent, or Firm* — Pearne & Gordon LLP

(57) **CLAIM**

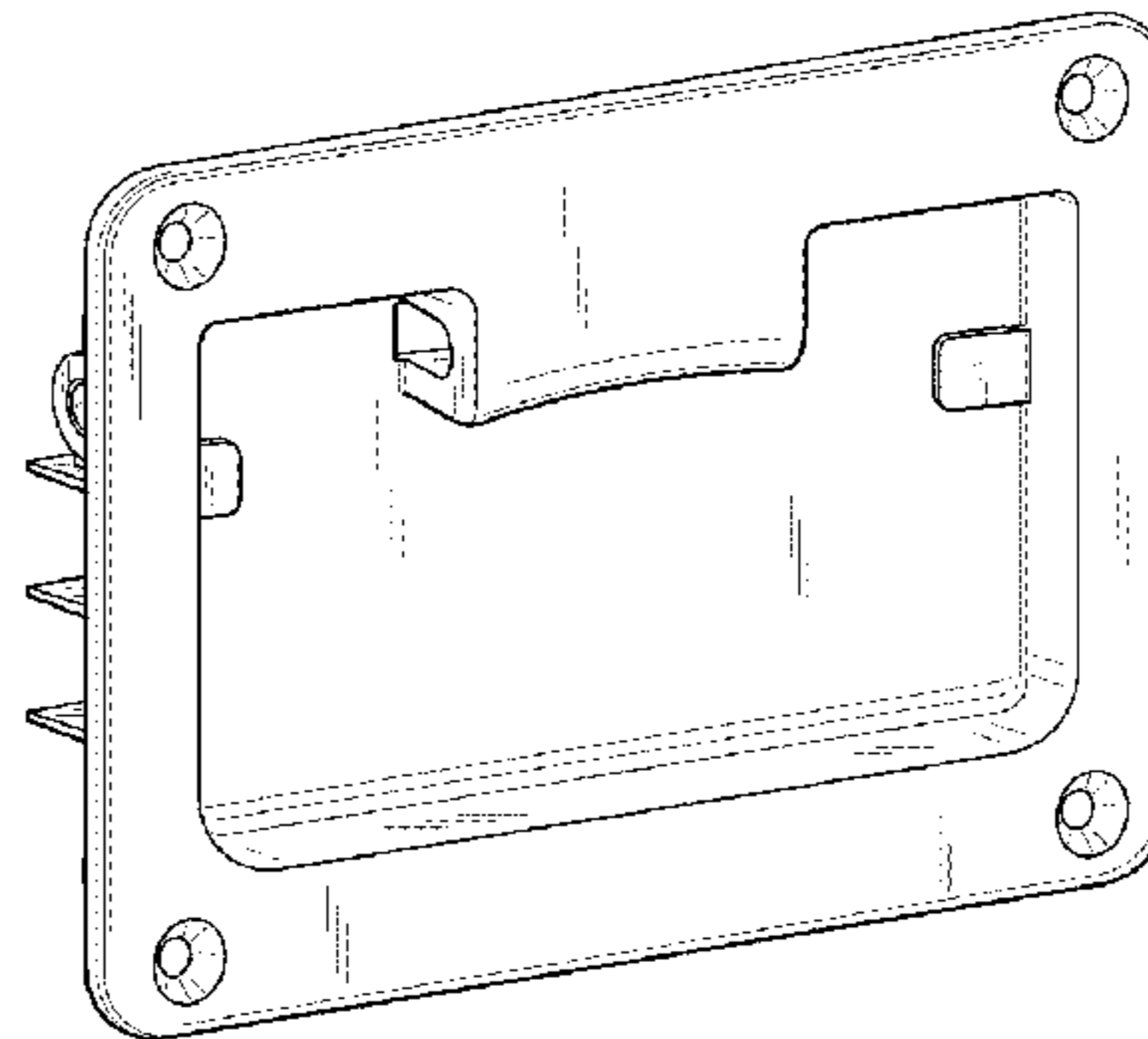
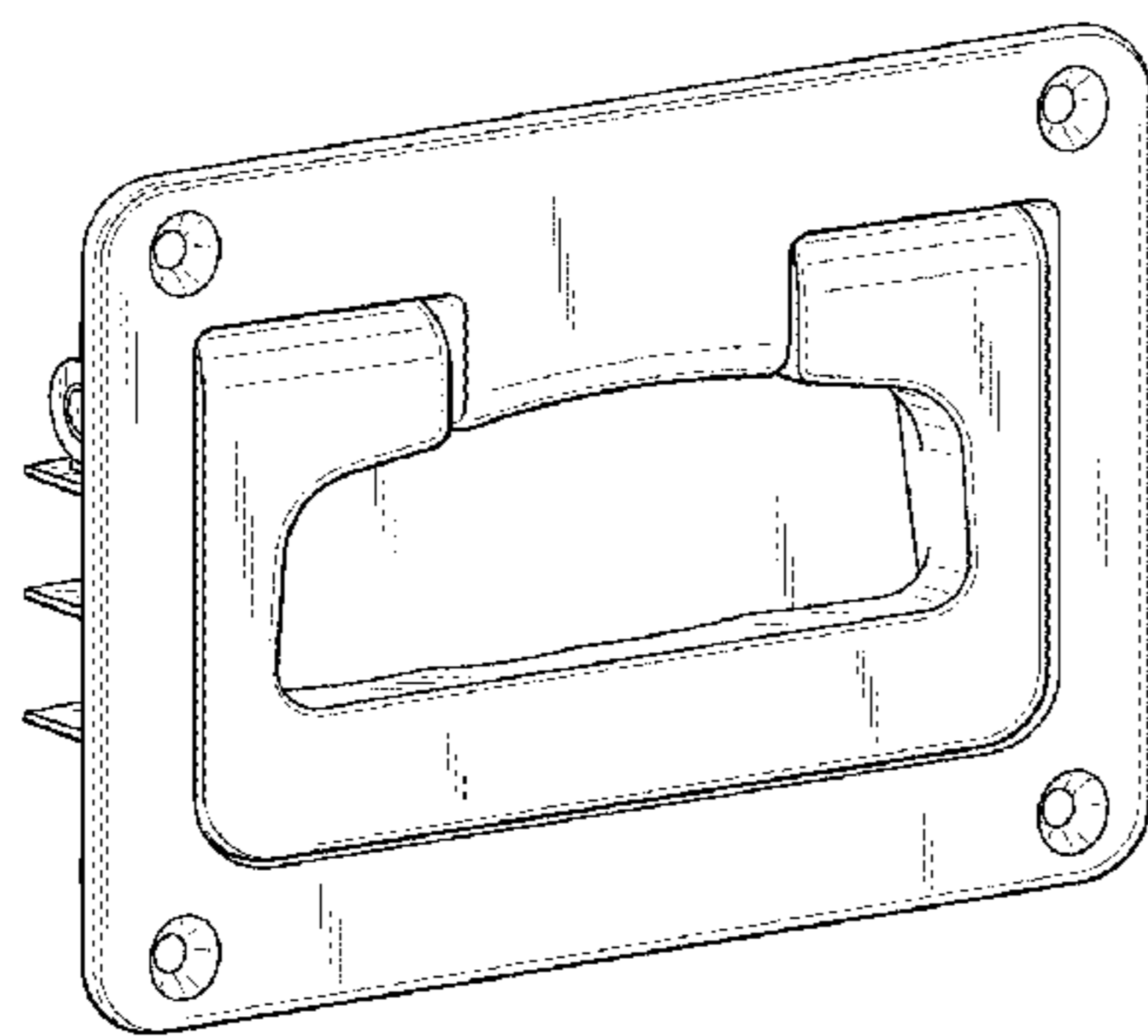
The ornamental design for a handle, as shown and described.

DESCRIPTION

FIG. 1 is a front perspective view of my new handle;
 FIG. 2 is a rear perspective view thereof;
 FIG. 3 is a top view thereof;
 FIG. 4 is a front view thereof;
 FIG. 5 is a right side view thereof;
 FIG. 6 is a left side view thereof;
 FIG. 7 is a rear view thereof;
 FIG. 8 is a bottom view thereof;
 FIG. 9 is a front perspective view of a base portion of my new handle shown with a handle portion thereof detached for ease of illustration;
 FIG. 10 is a rear perspective view thereof;
 FIG. 11 is a top view thereof;
 FIG. 12 is a front view thereof;
 FIG. 13 is a right side view thereof;
 FIG. 14 is a left side view thereof;
 FIG. 15 is a rear view thereof;
 FIG. 16 is a bottom view thereof;
 FIG. 17 is a front perspective view of the handle portion of my new handle shown with the base portion thereof detached for ease of illustration;
 FIG. 18 is a front view thereof;
 FIG. 19 is a right side view thereof;
 FIG. 20 is a left side view thereof; and,
 FIG. 21 is a bottom view thereof.

No claim is made to the details of the rear view of the handle portion of the handle which is not shown in the accompanying drawings.

1 Claim, 5 Drawing Sheets



(56)

References Cited

U.S. PATENT DOCUMENTS

5,924,169	A *	7/1999	Lu	16/405	6,397,436	B1 *	6/2002	Wang	16/445
D427,045	S *	6/2000	Larsen et al.	D8/302	D507,471	S *	7/2005	Schowalter et al.	D8/306
D458,110	S *	6/2002	Landeros	D8/338	D529,782	S *	10/2006	Zafirian et al.	D8/300
						7,451,525	B2 *	11/2008	Willems	16/445
						D712,231	S *	9/2014	Thompson et al.	D8/300

* cited by examiner

FIG. 1

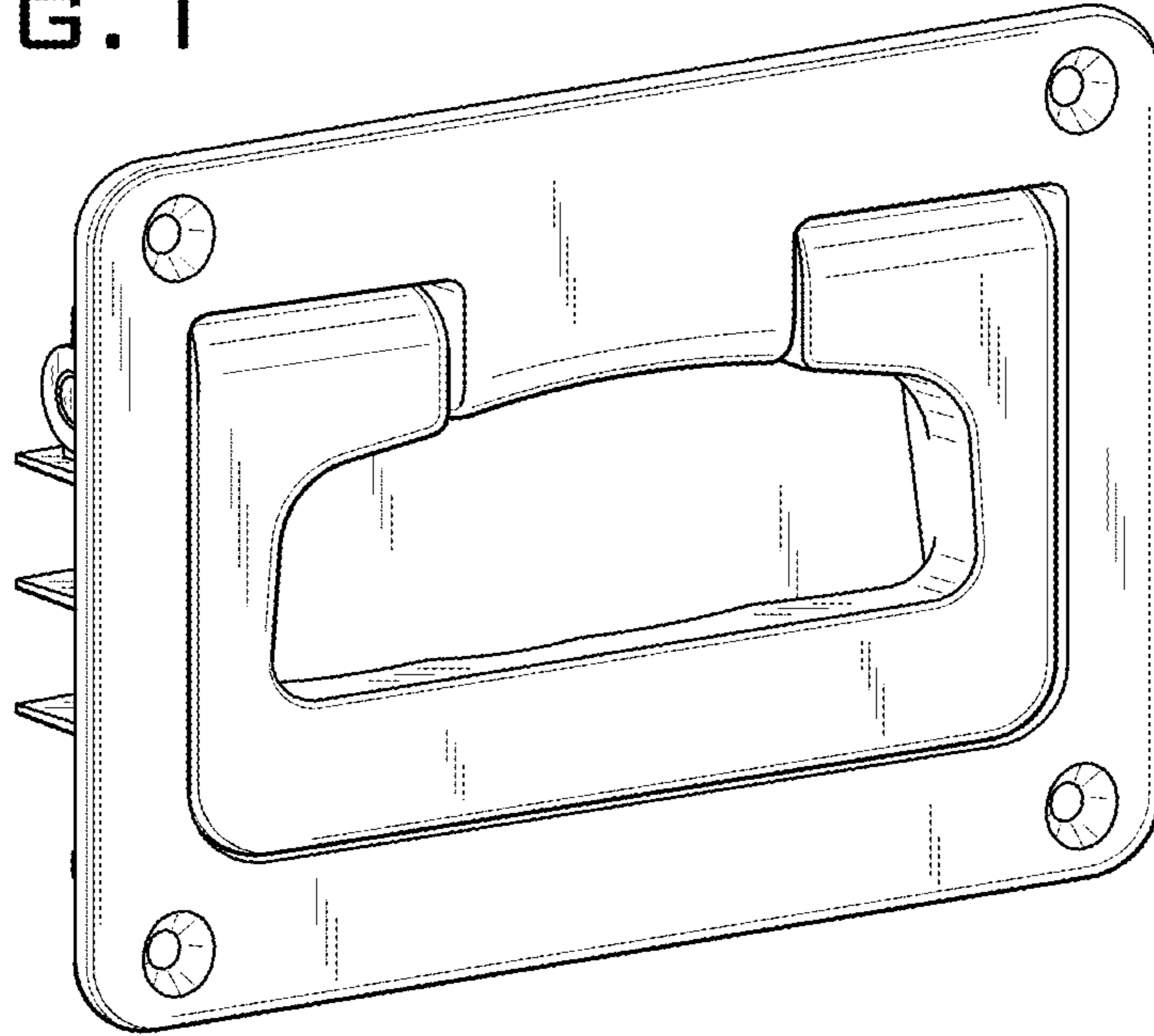
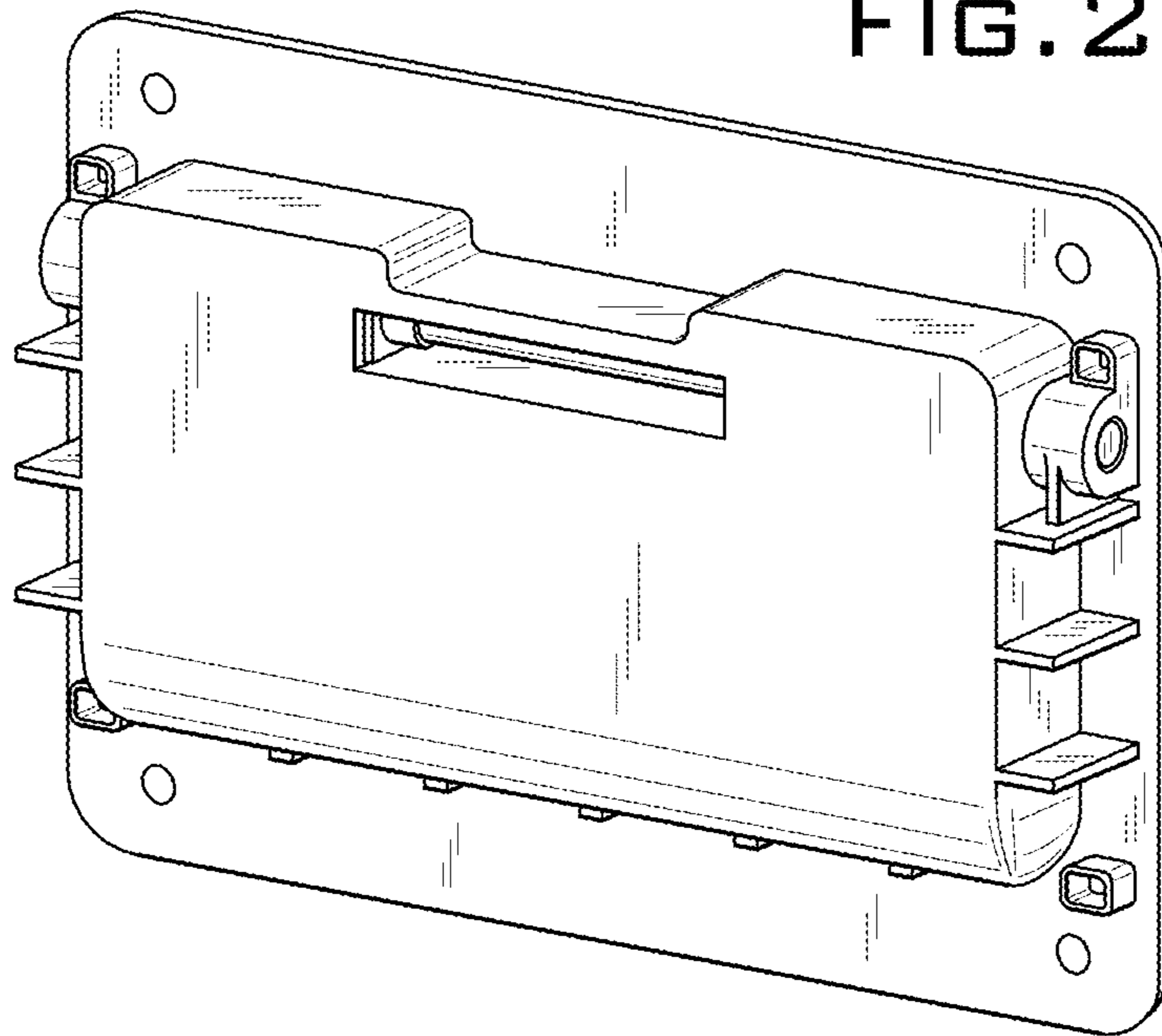


FIG. 2



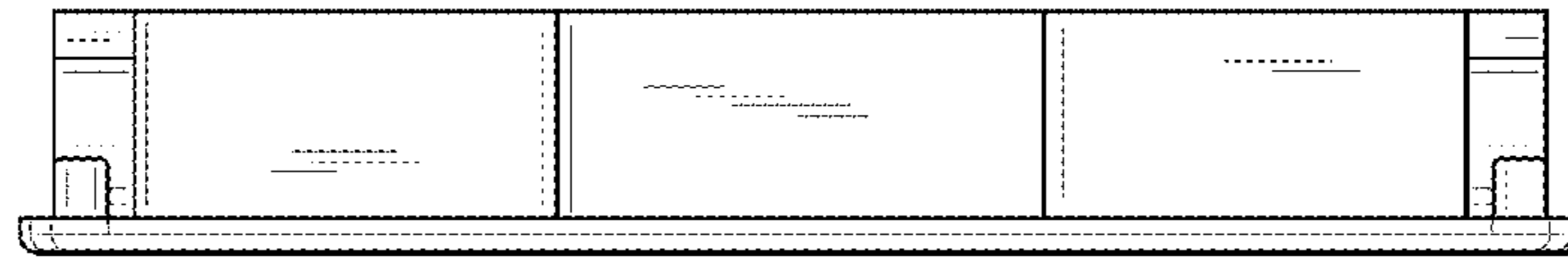


FIG. 3

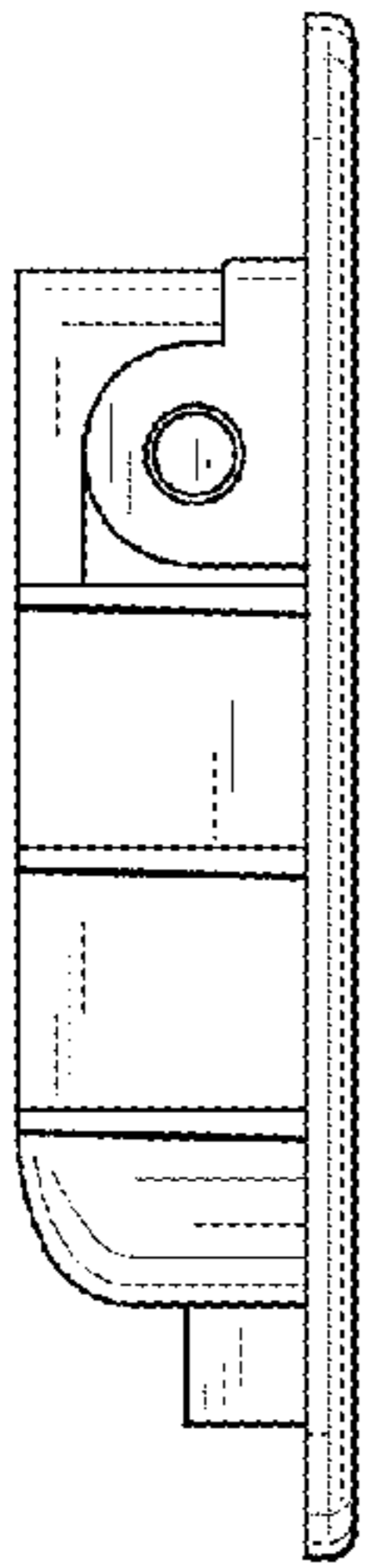


FIG. 6

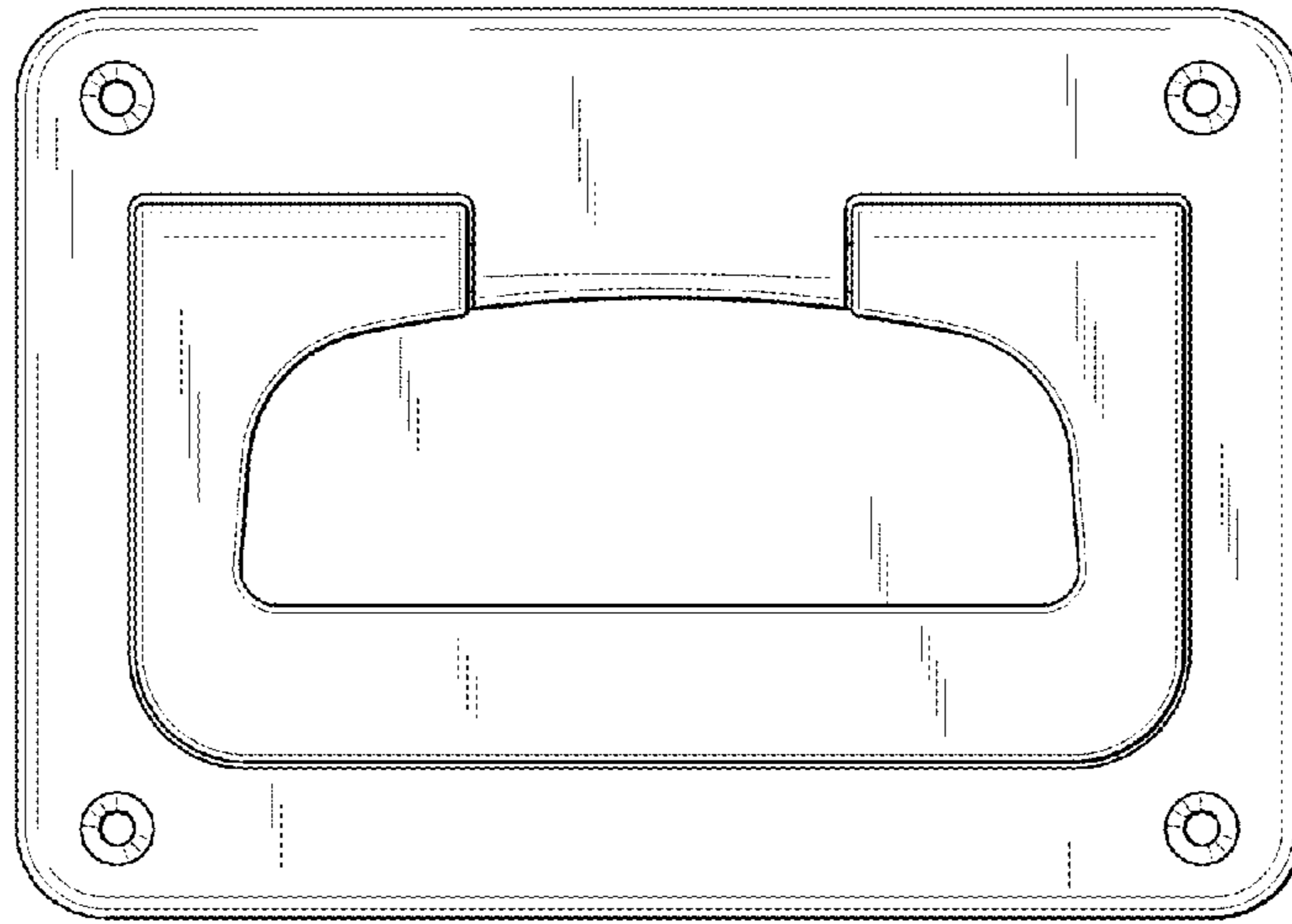


FIG. 4

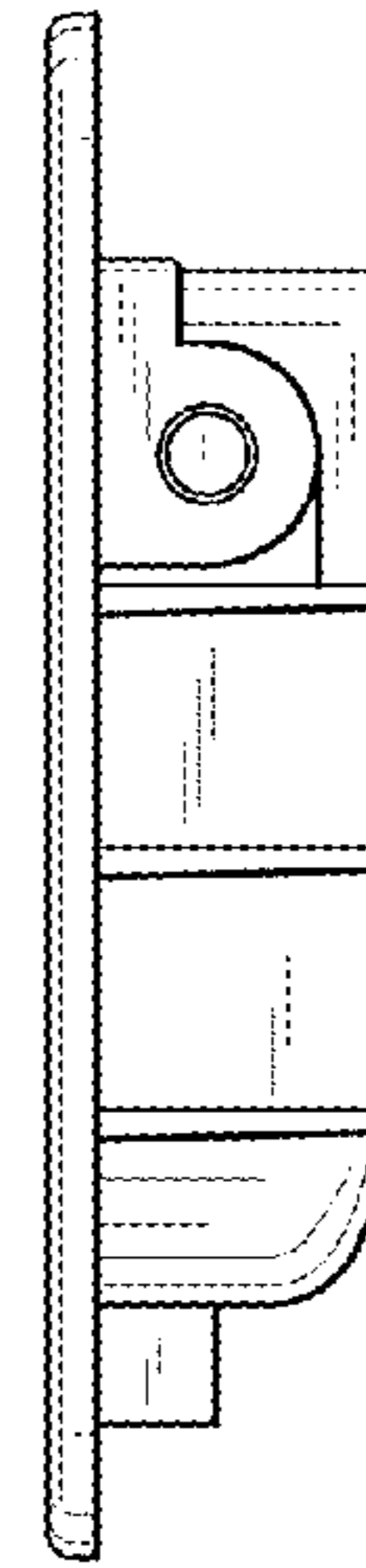


FIG. 5

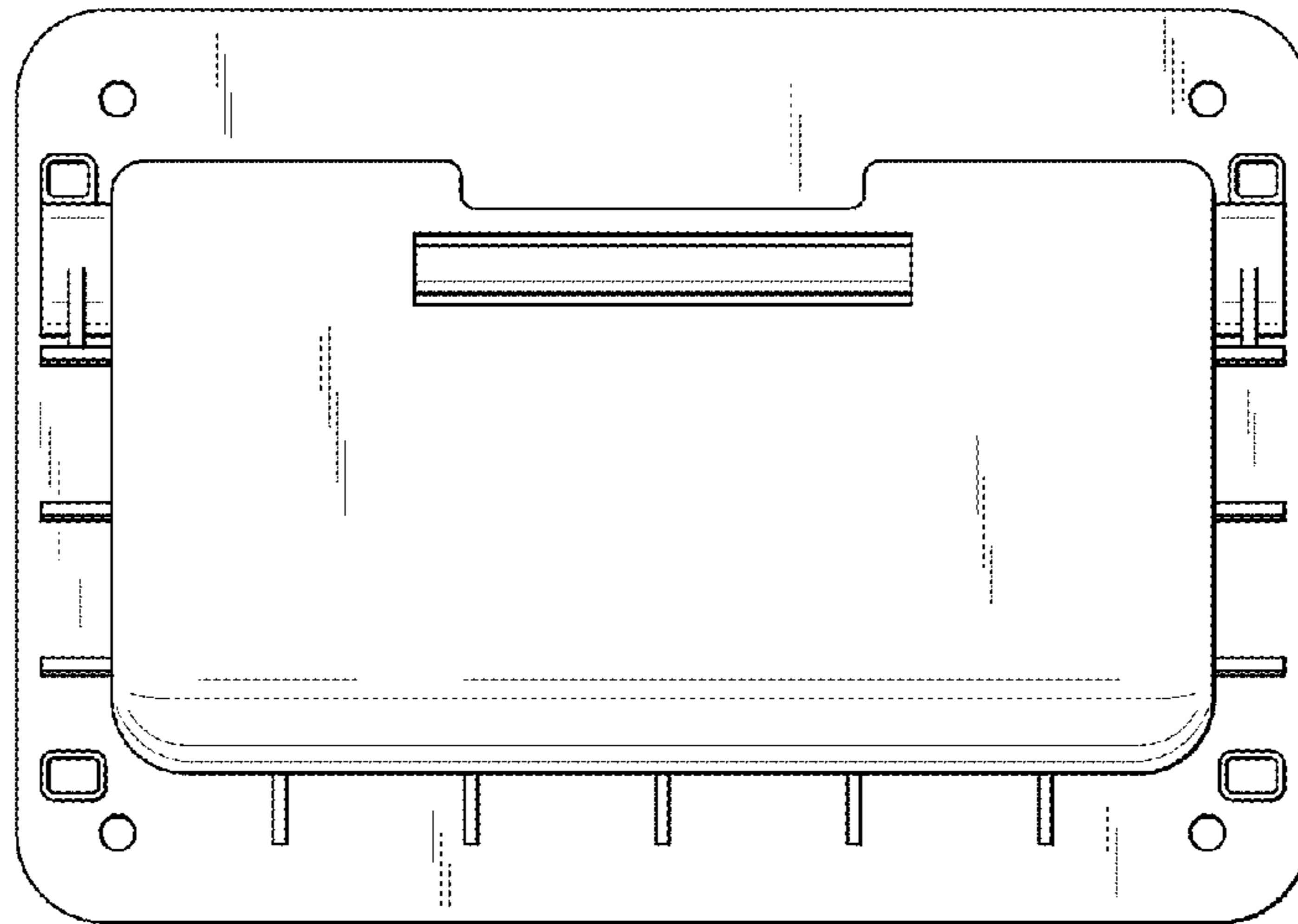


FIG. 7

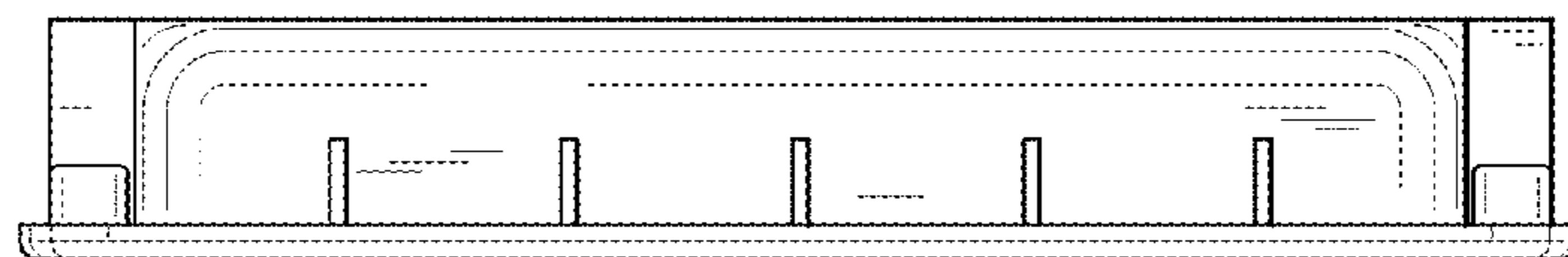


FIG. 8

FIG. 9

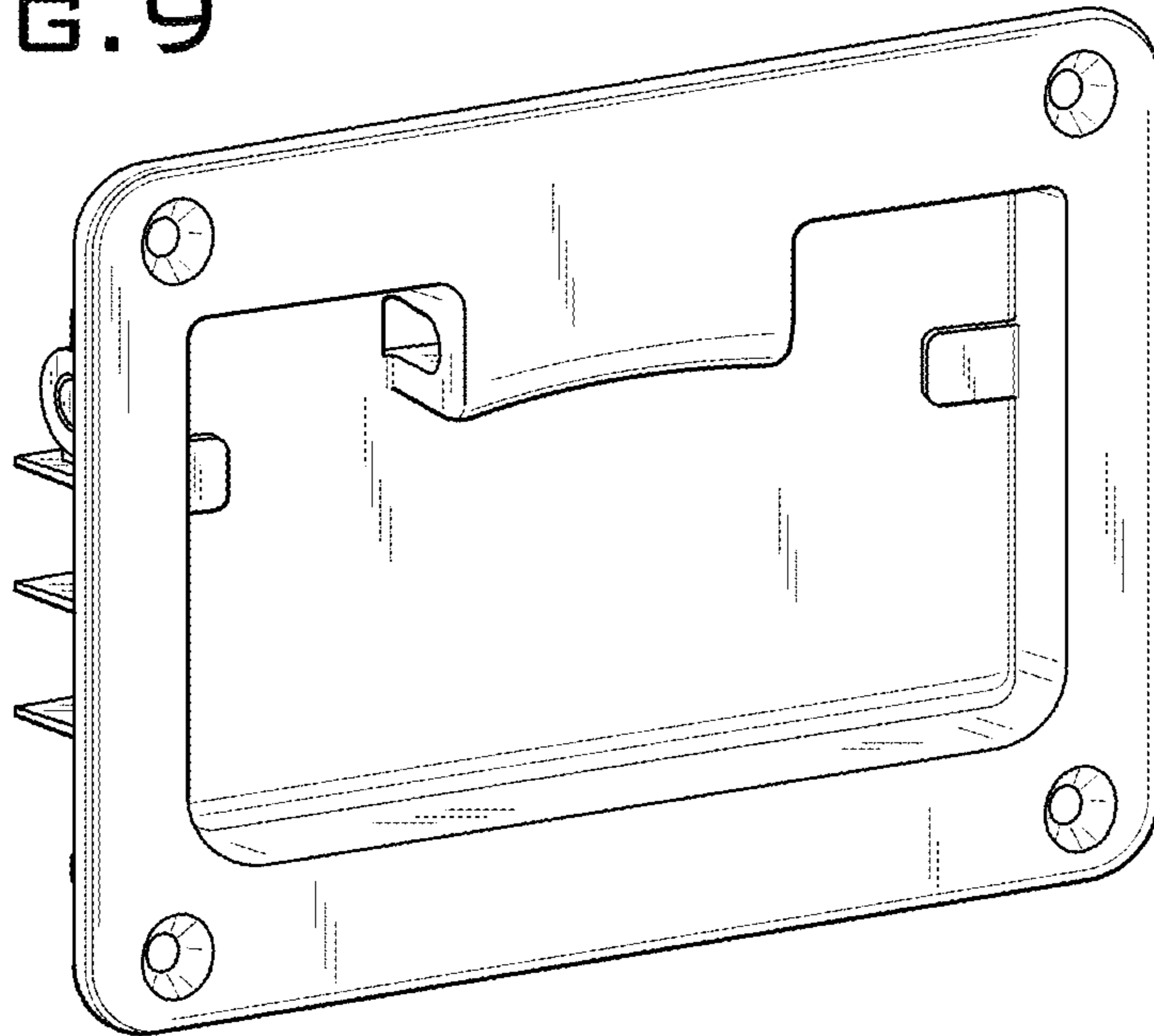
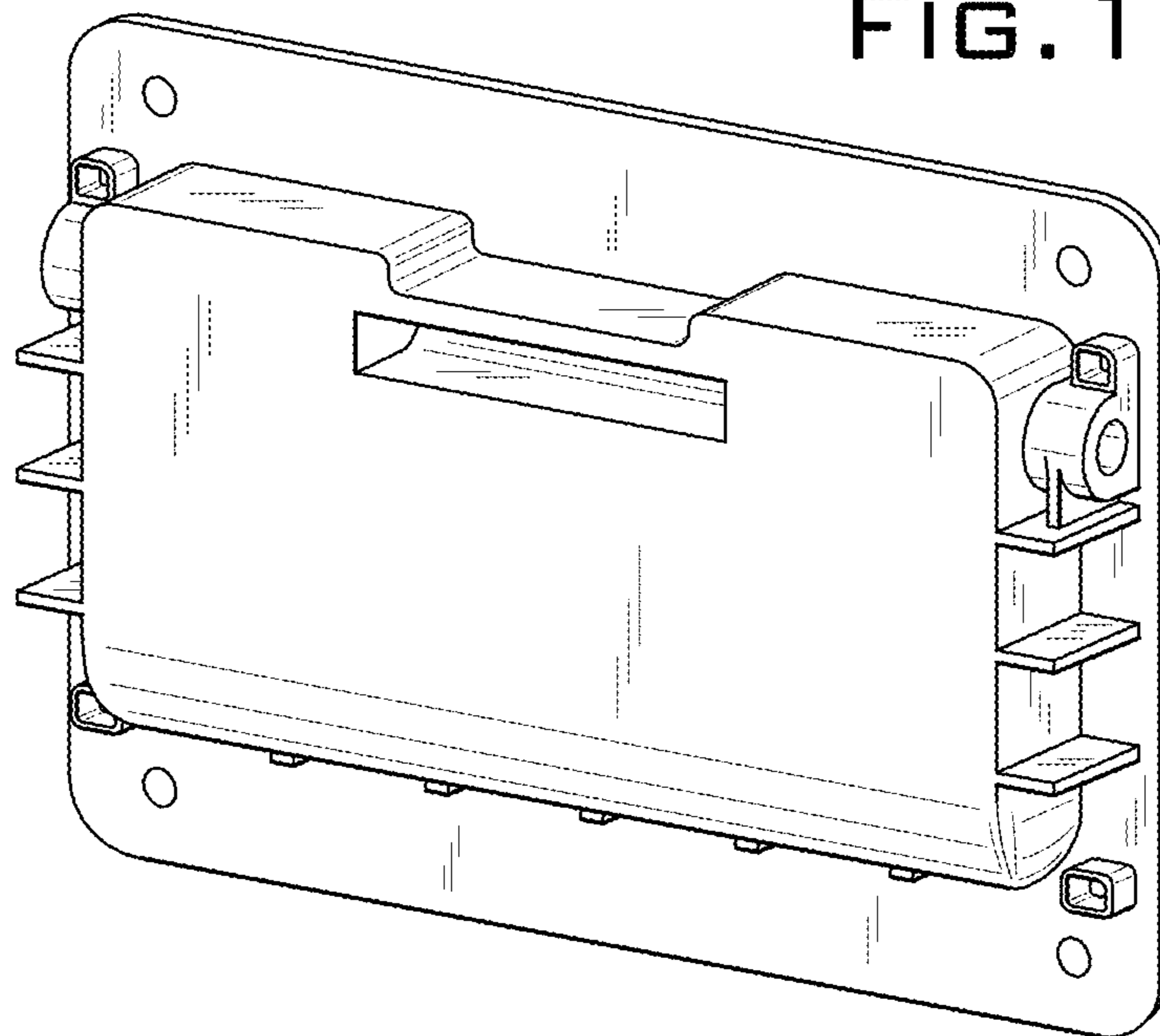


FIG. 10



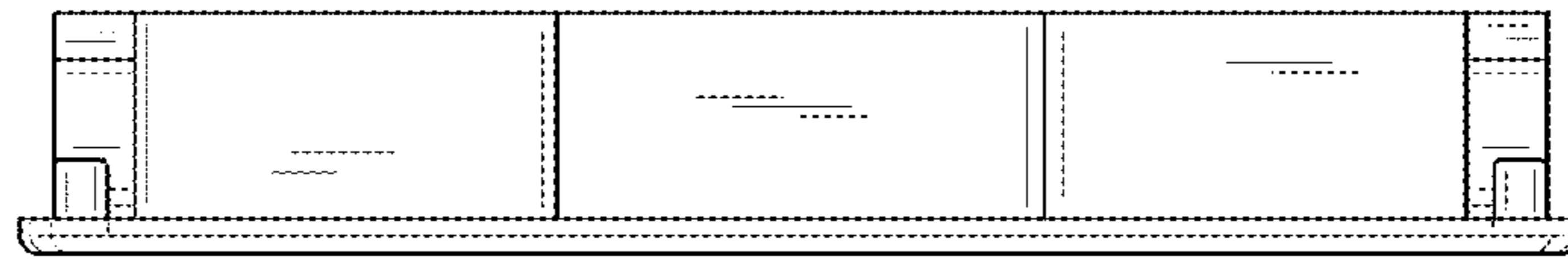


FIG. 11

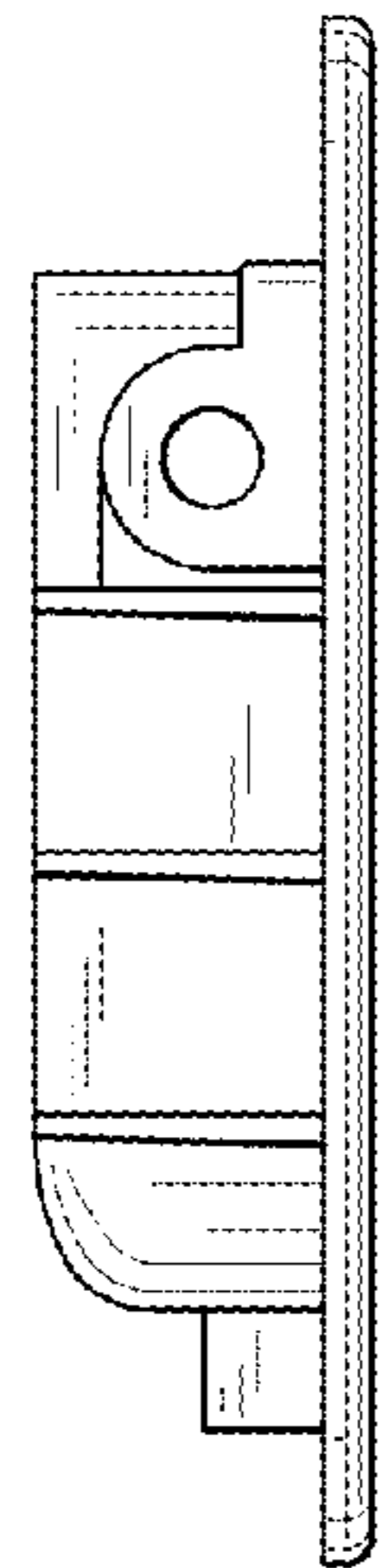


FIG. 14

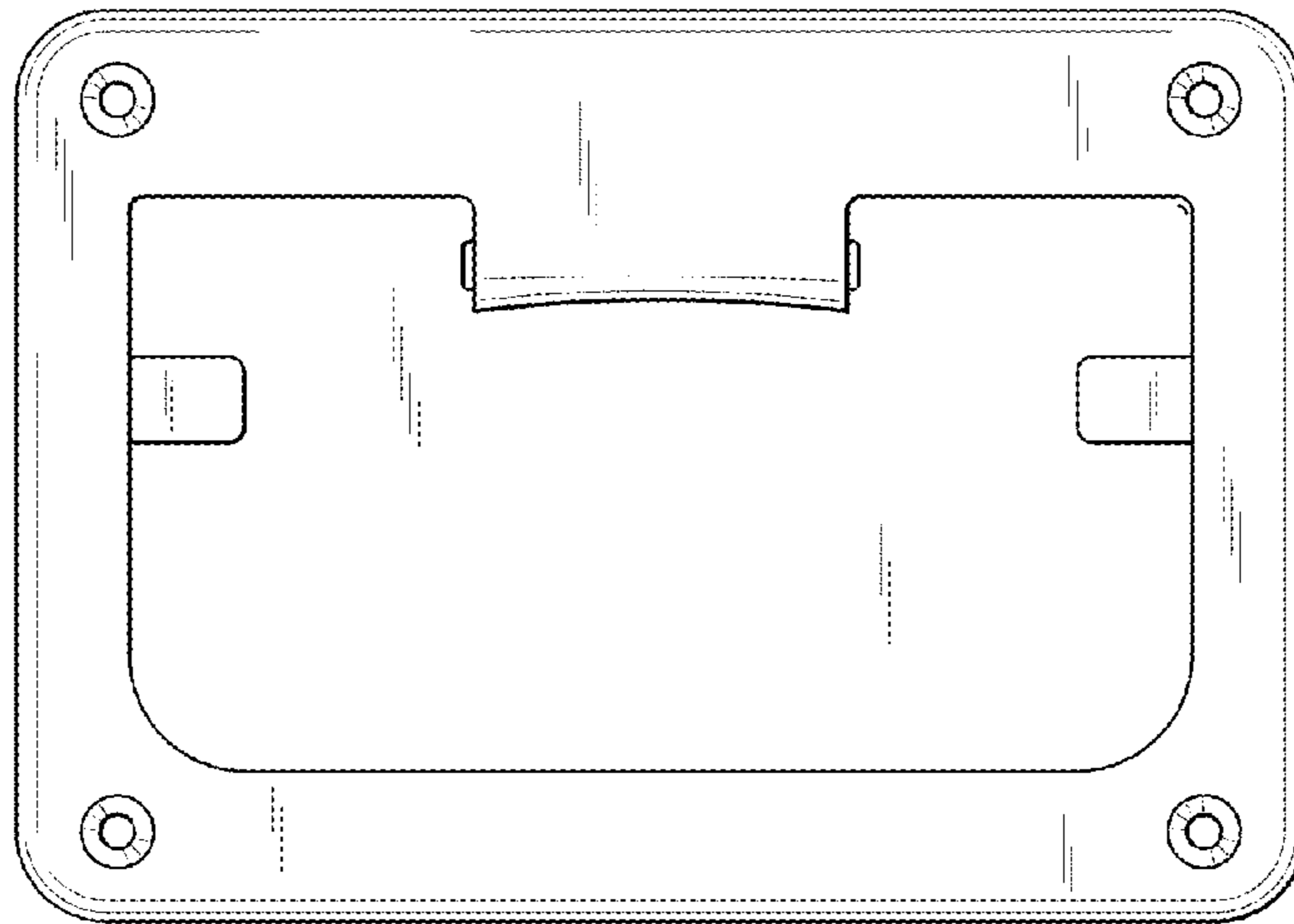


FIG. 12

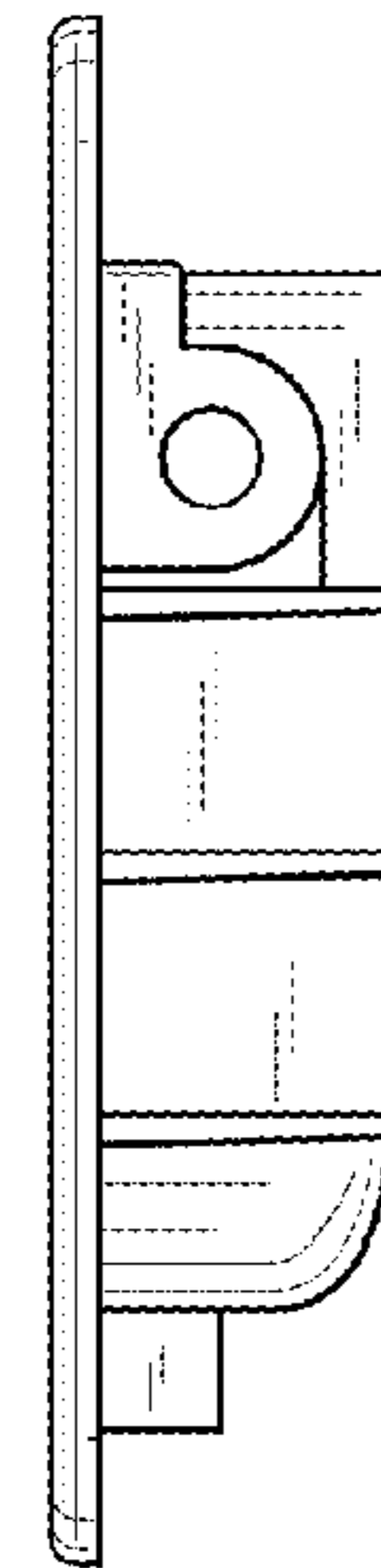


FIG. 13

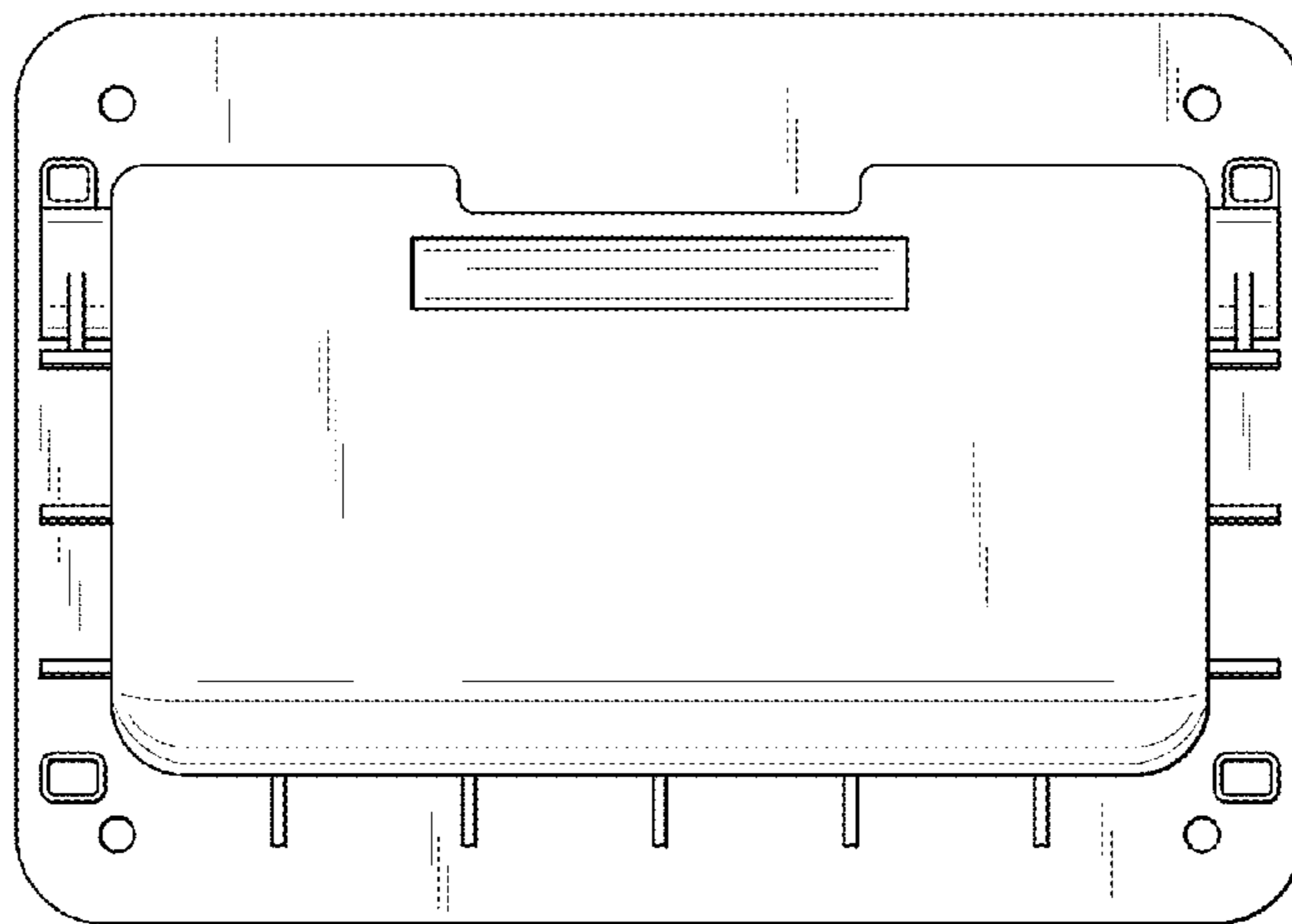


FIG. 15

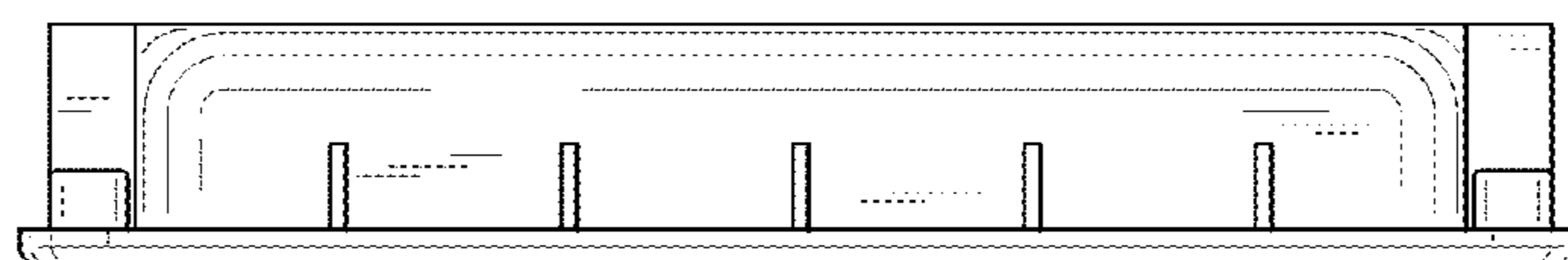


FIG. 16

FIG. 17

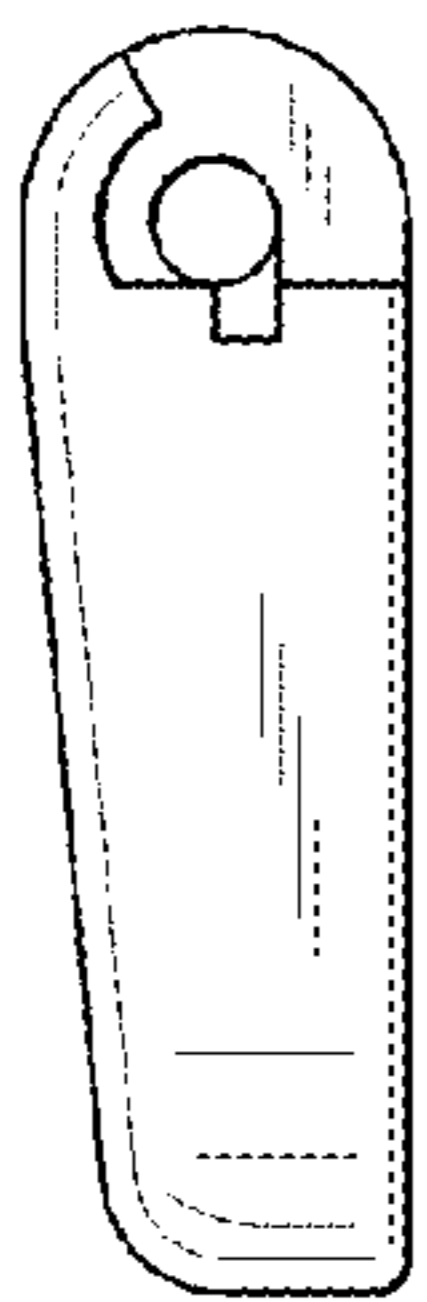
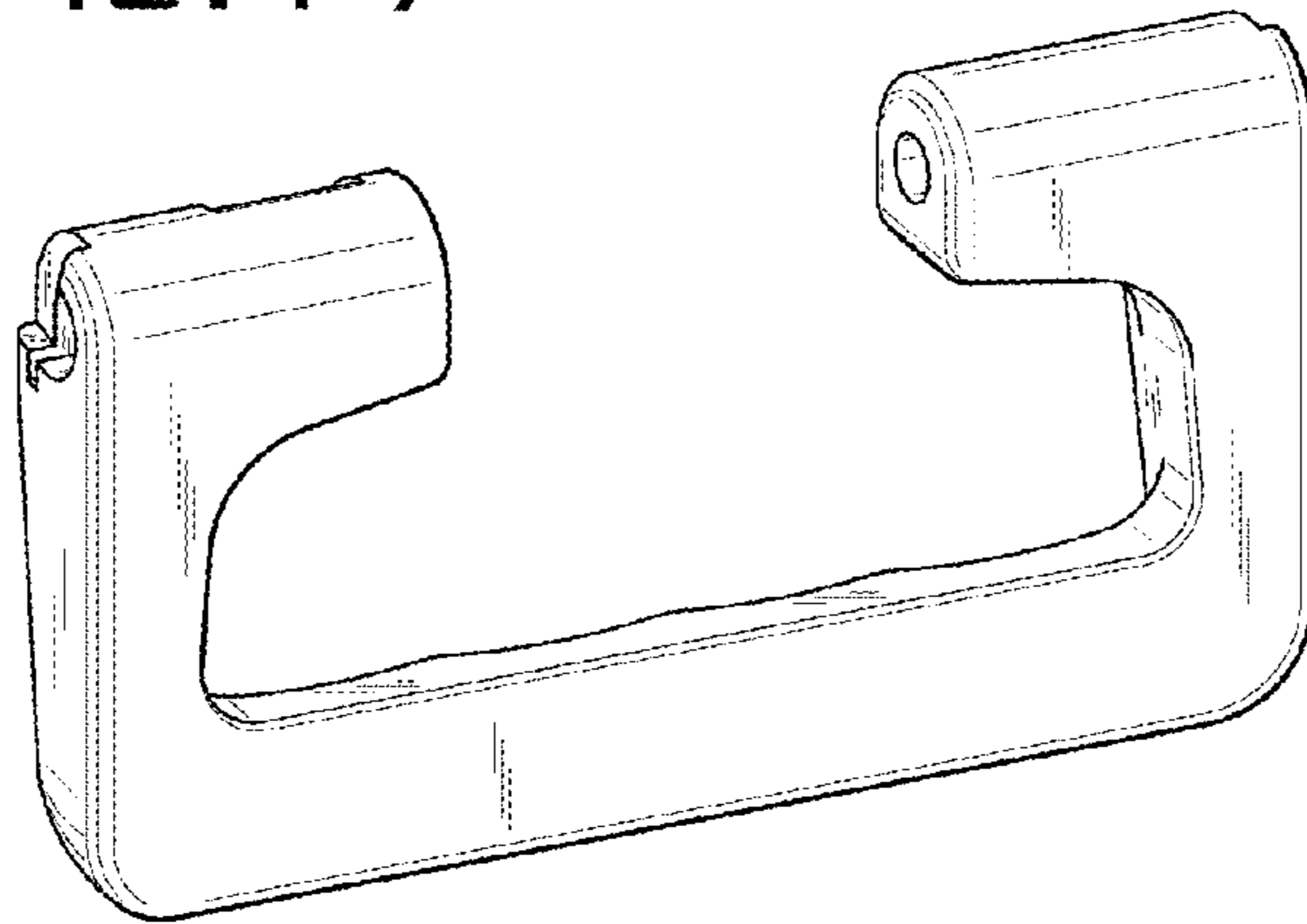


FIG. 20

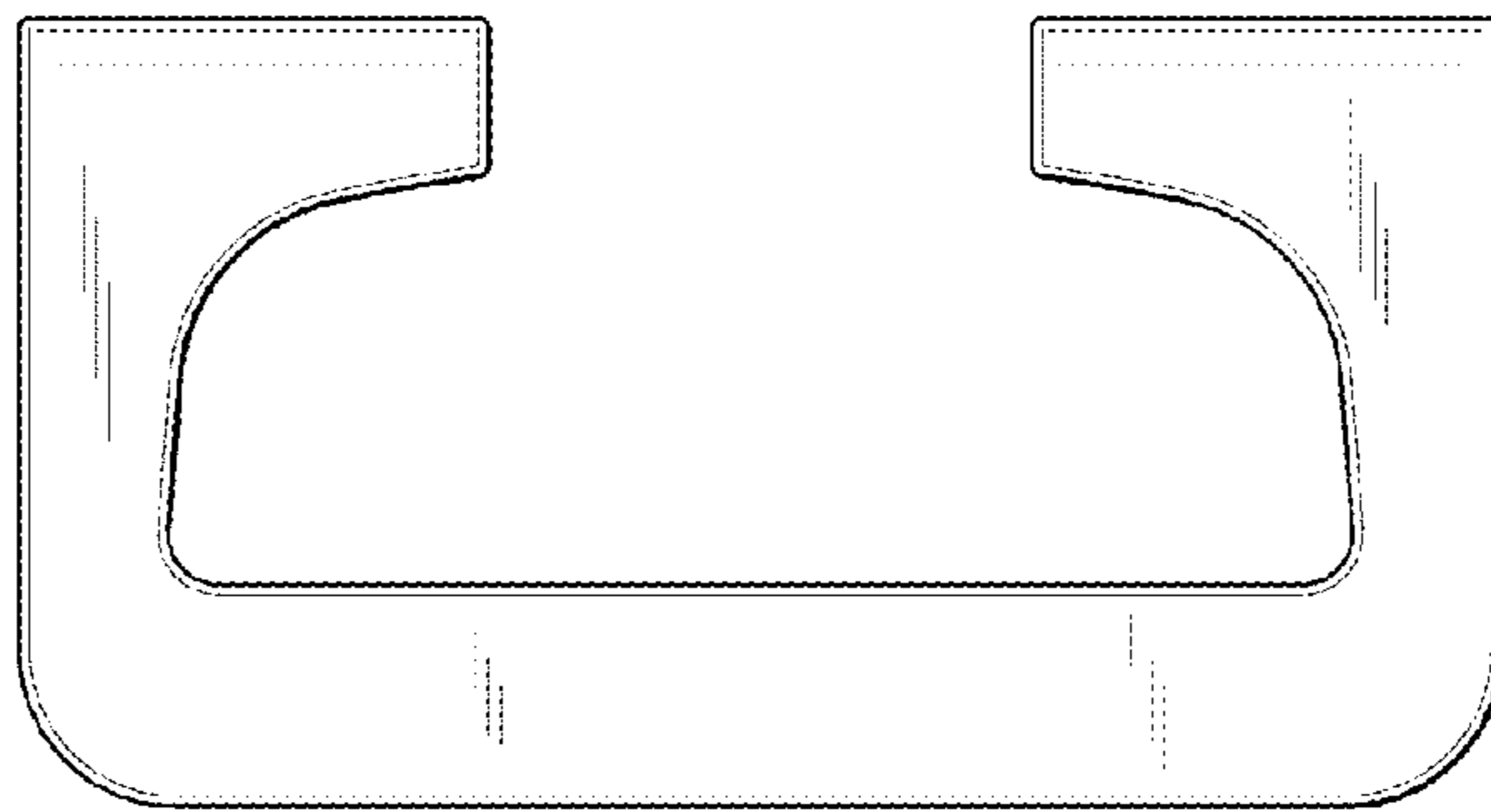


FIG. 18

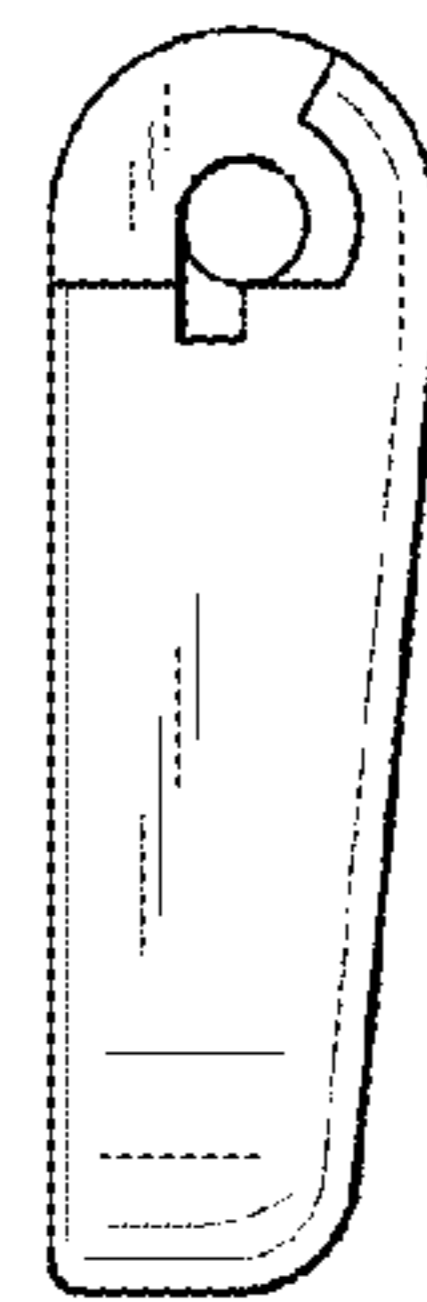


FIG. 19

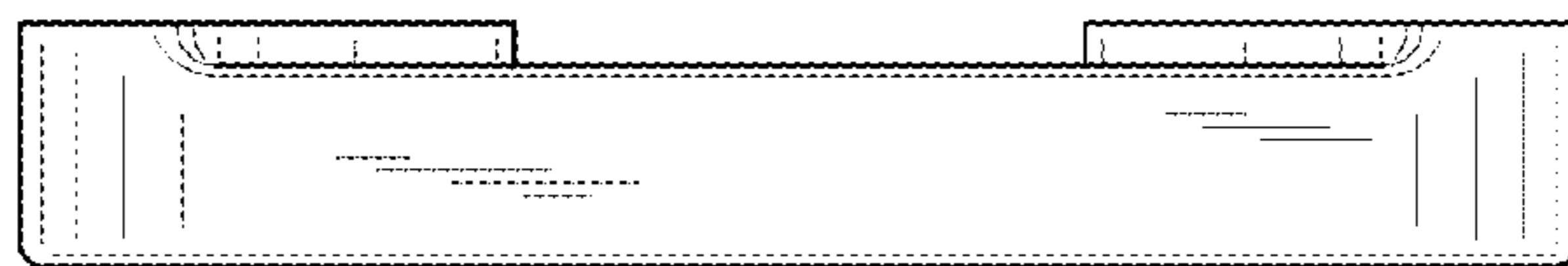


FIG. 21