



US00D720592S

(12) **United States Design Patent**  
**Arvinte**

(10) **Patent No.:** **US D720,592 S**  
(45) **Date of Patent:** **\*\* Jan. 6, 2015**

(54) **HAND SANDER**

(75) Inventor: **Roméo Arvinte**, Laval-des-Rapides (CA)

(73) Assignee: **A. Richard Tools Co./Outils A. Richard Co.**, Berthierville, Quebec (CA)

(\*\*) Term: **14 Years**

(21) Appl. No.: **29/422,217**

(22) Filed: **May 17, 2012**

(30) **Foreign Application Priority Data**

Nov. 30, 2011 (CA) ..... 143477  
Mar. 21, 2012 (CA) ..... 144980

(51) **LOC (10) Cl.** ..... **08-05**

(52) **U.S. Cl.**  
USPC ..... **D8/90**

(58) **Field of Classification Search**  
USPC ..... D8/14, 62, 90; D32/31-33; 15/49.1,  
15/50.1, 97.1, 98, 180; 451/259, 353-356,  
451/456, 524  
See application file for complete search history.

(56) **References Cited**

**U.S. PATENT DOCUMENTS**

4,397,120 A \* 8/1983 Overy et al. .... 451/357  
4,434,587 A \* 3/1984 McDougall ..... 451/357  
4,598,500 A \* 7/1986 Farauo et al. .... 451/456  
4,680,895 A \* 7/1987 Roestenberg ..... 451/359  
4,697,389 A \* 10/1987 Romine ..... 451/354  
4,937,984 A \* 7/1990 Taranto ..... 451/524  
5,007,206 A \* 4/1991 Paterson ..... 451/344  
D342,431 S \* 12/1993 Swigonski ..... D8/70  
D344,003 S \* 2/1994 Milkie ..... D8/90

5,283,988 A \* 2/1994 Brown ..... 451/524  
5,512,010 A \* 4/1996 Labad, Jr. .... 451/344  
D507,731 S \* 7/2005 Robson ..... D8/62  
D509,722 S \* 9/2005 Wikle et al. .... D8/62  
6,988,940 B1 \* 1/2006 Taylor ..... 451/354  
7,033,259 B1 \* 4/2006 Seasholtz et al. .... 451/354  
D567,047 S \* 4/2008 Okuda et al. .... D8/62  
7,473,165 B1 \* 1/2009 Berryhill ..... 451/354  
D590,553 S \* 4/2009 Crevling et al. .... D32/31  
D609,071 S \* 7/2009 Crevling et al. .... D32/33  
D632,939 S \* 2/2010 Yamamoto et al. .... D8/62  
8,226,455 B2 \* 2/2011 Misaki ..... D8/62  
2010/0233938 A1 \* 7/2012 Berryhill ..... 451/59  
2010/0233938 A1 \* 9/2010 Brunner ..... 451/28  
2013/0309948 A1 \* 11/2013 Talbot et al. .... 451/344

\* cited by examiner

*Primary Examiner* — Philip S Hyder

*Assistant Examiner* — Roselynn Cody

(74) *Attorney, Agent, or Firm* — Merchant & Gould P.C.

(57) **CLAIM**

The ornamental design for a hand sander, as shown and described.

**DESCRIPTION**

FIG. 1 is a perspective view of a hand sander showing my new design;

FIG. 2 is an alternative perspective view thereof;

FIG. 3 is a rear elevational view thereof;

FIG. 4 is a front elevational view thereof;

FIG. 5 is a top plan view thereof;

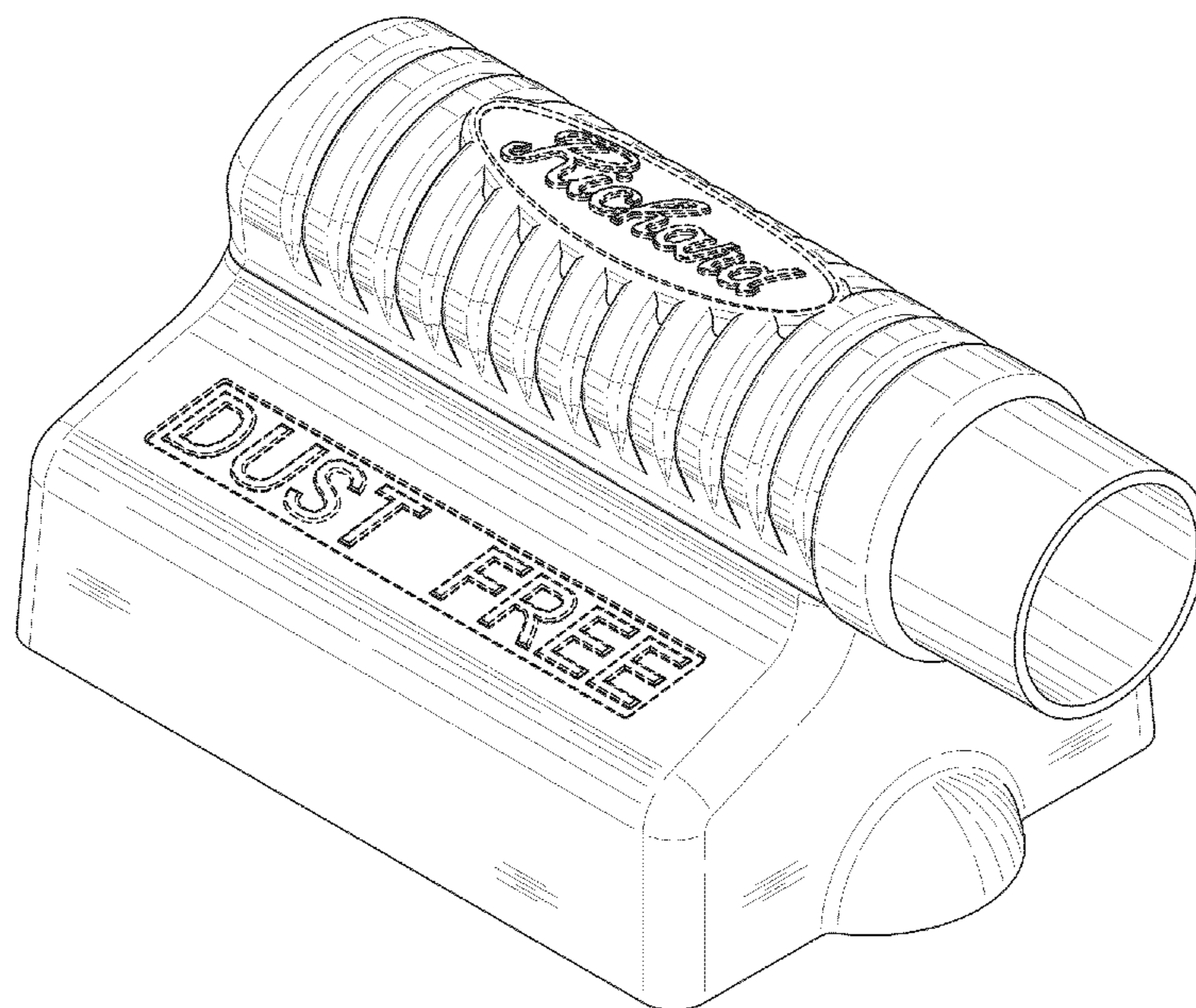
FIG. 6 is a bottom plan view thereof;

FIG. 7 is a left side elevational view thereof; and,

FIG. 8 is a right side elevational view thereof.

The portions shown in dashed lines form no part of the claimed design.

**1 Claim, 8 Drawing Sheets**



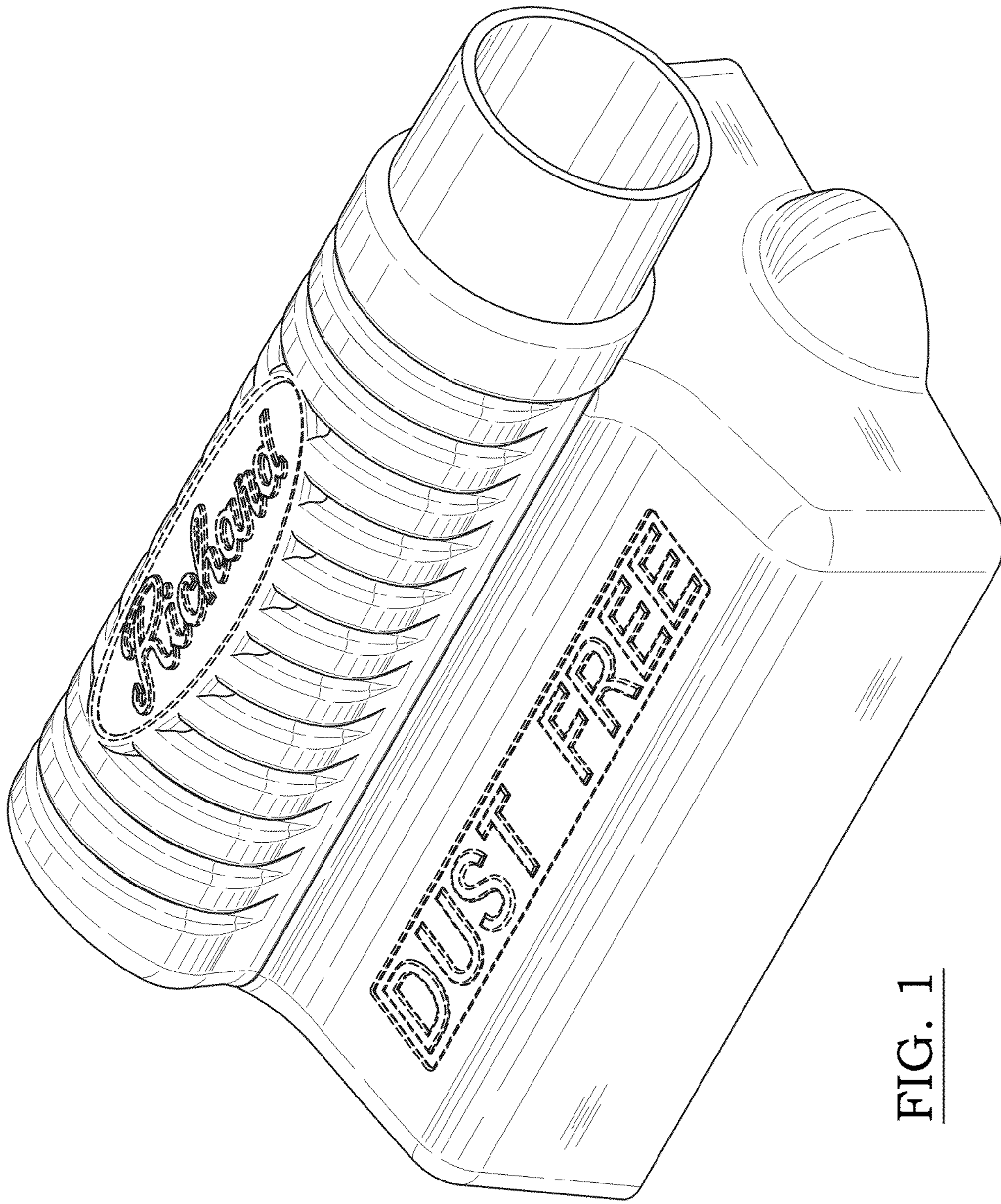


FIG. 1



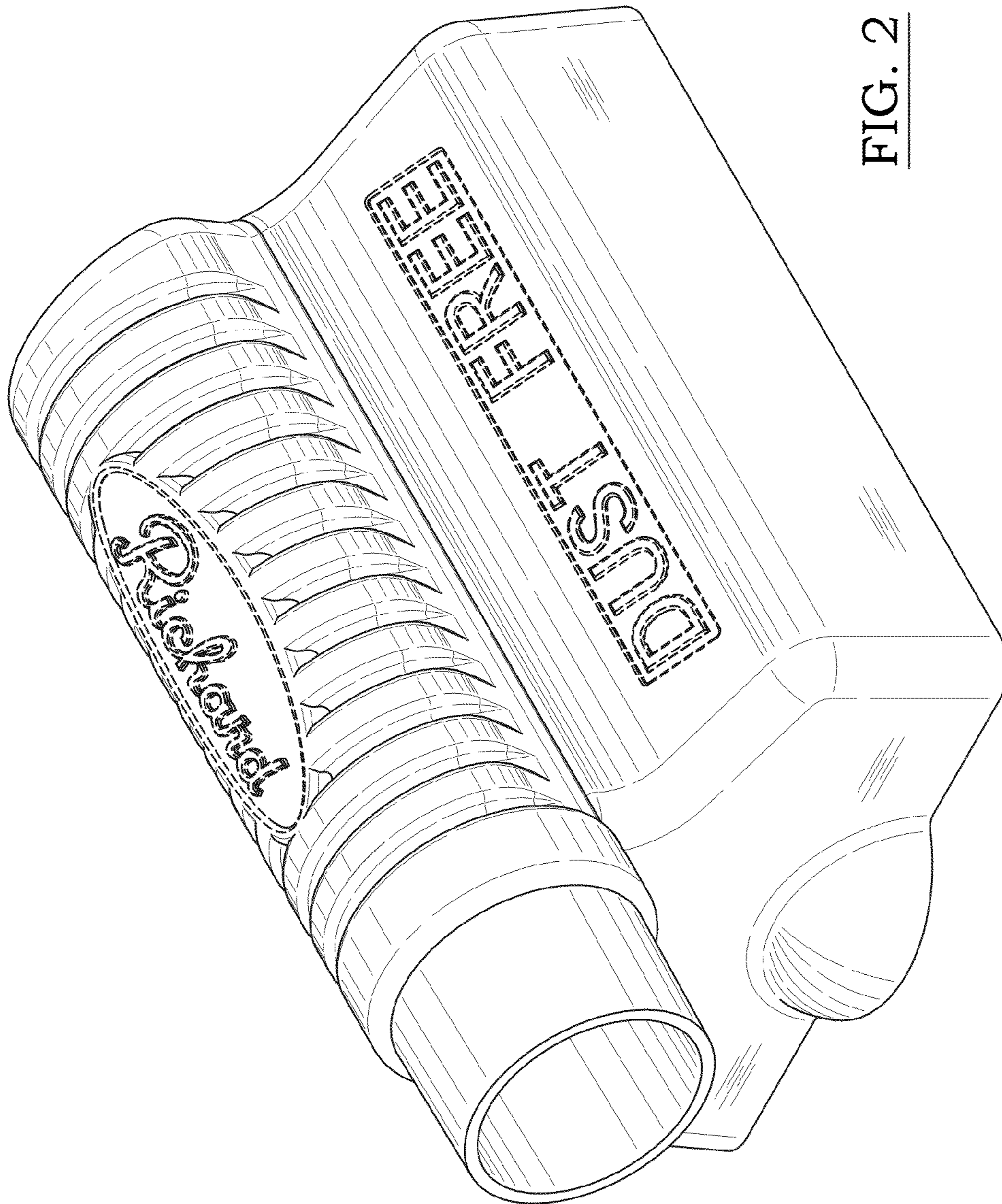


FIG. 2

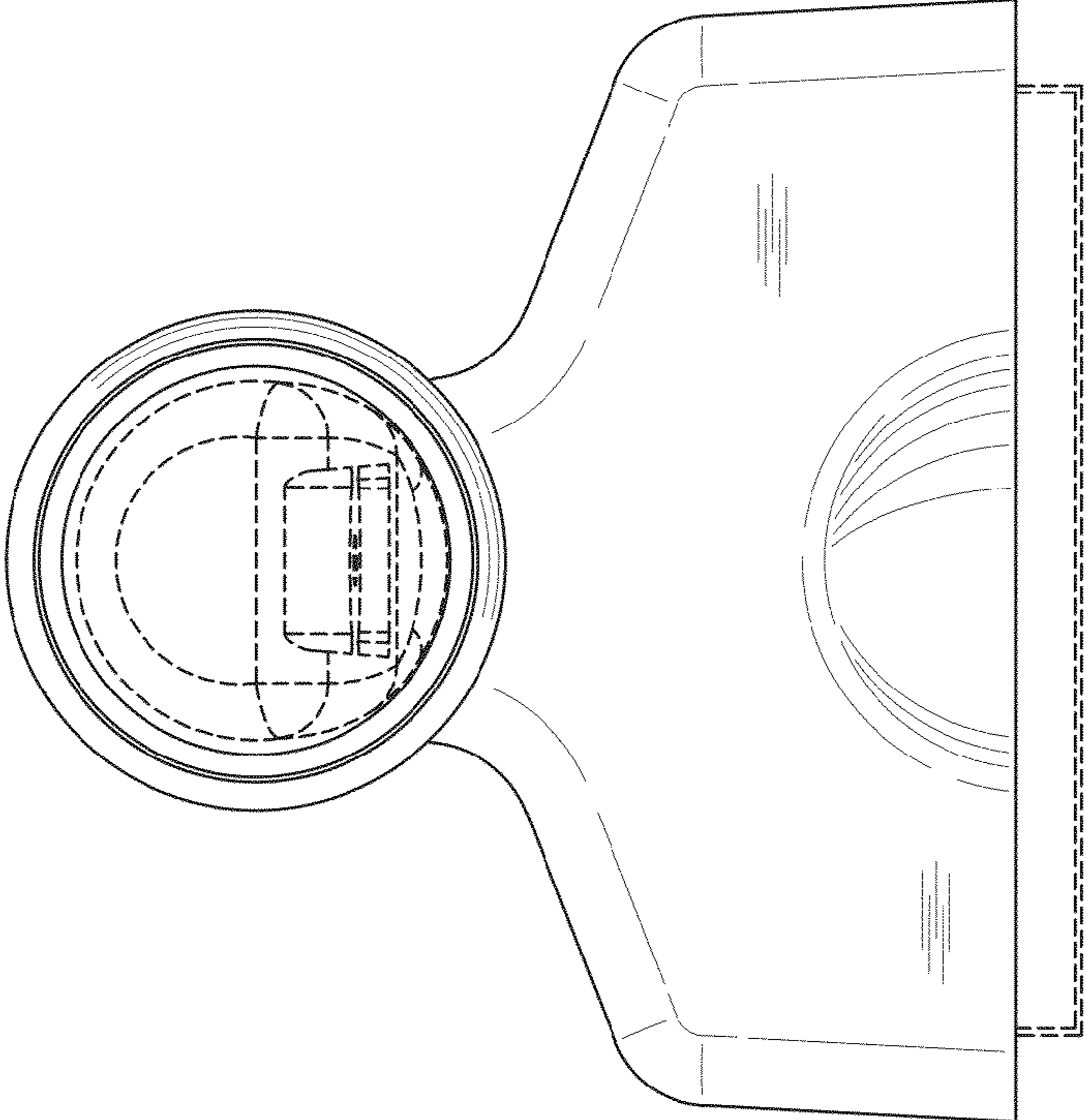


FIG. 3

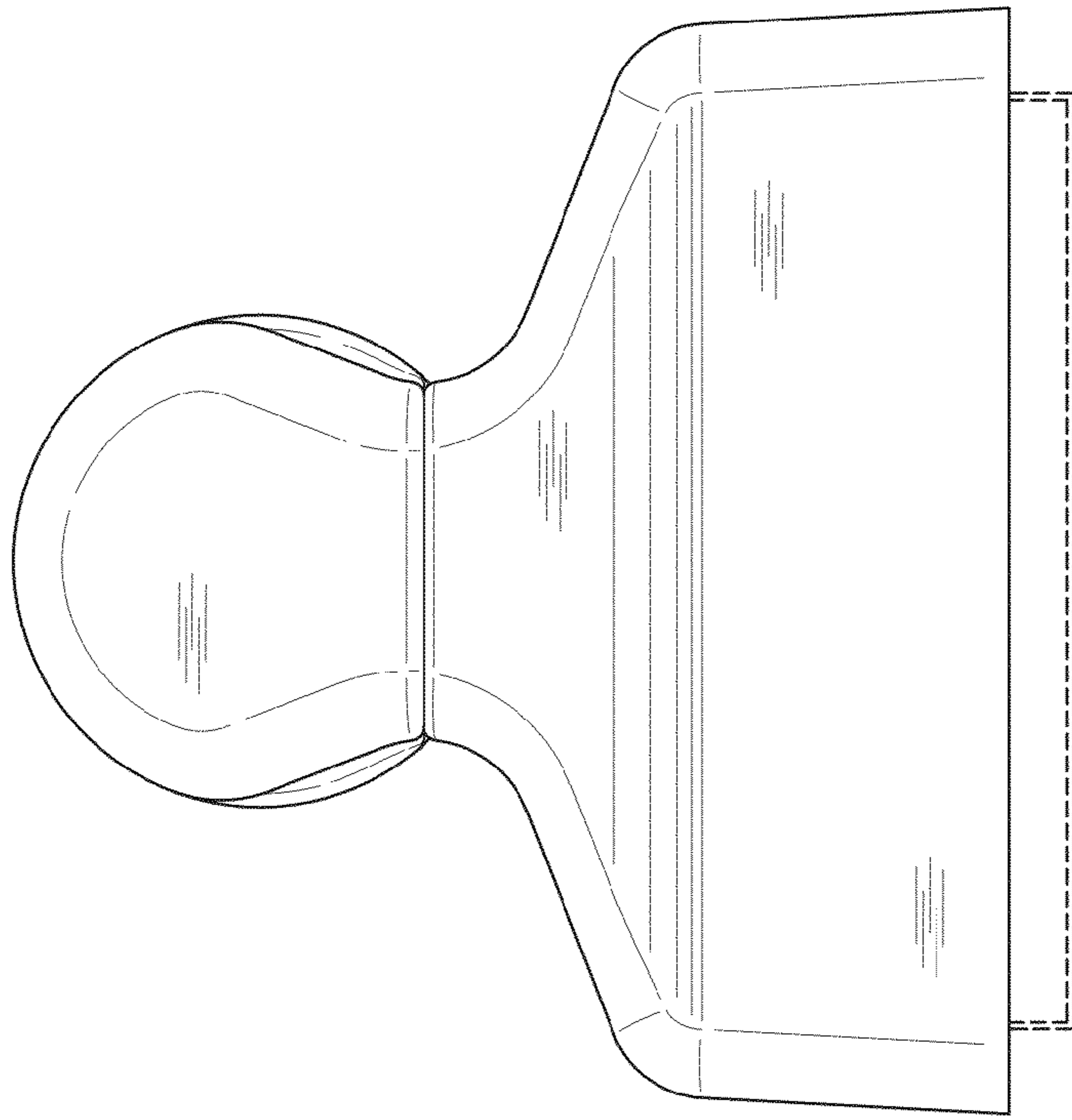


FIG. 4

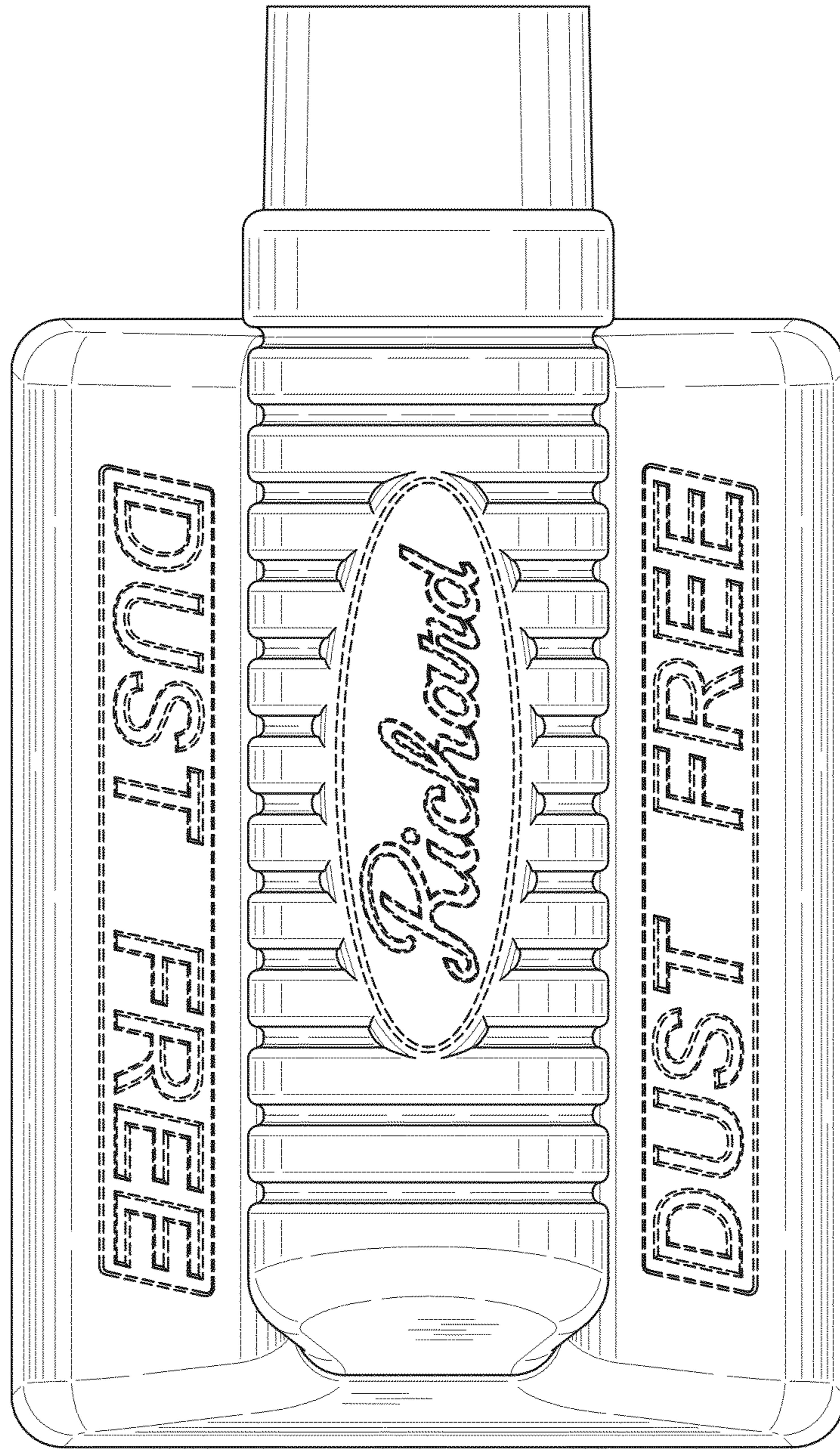


FIG. 5



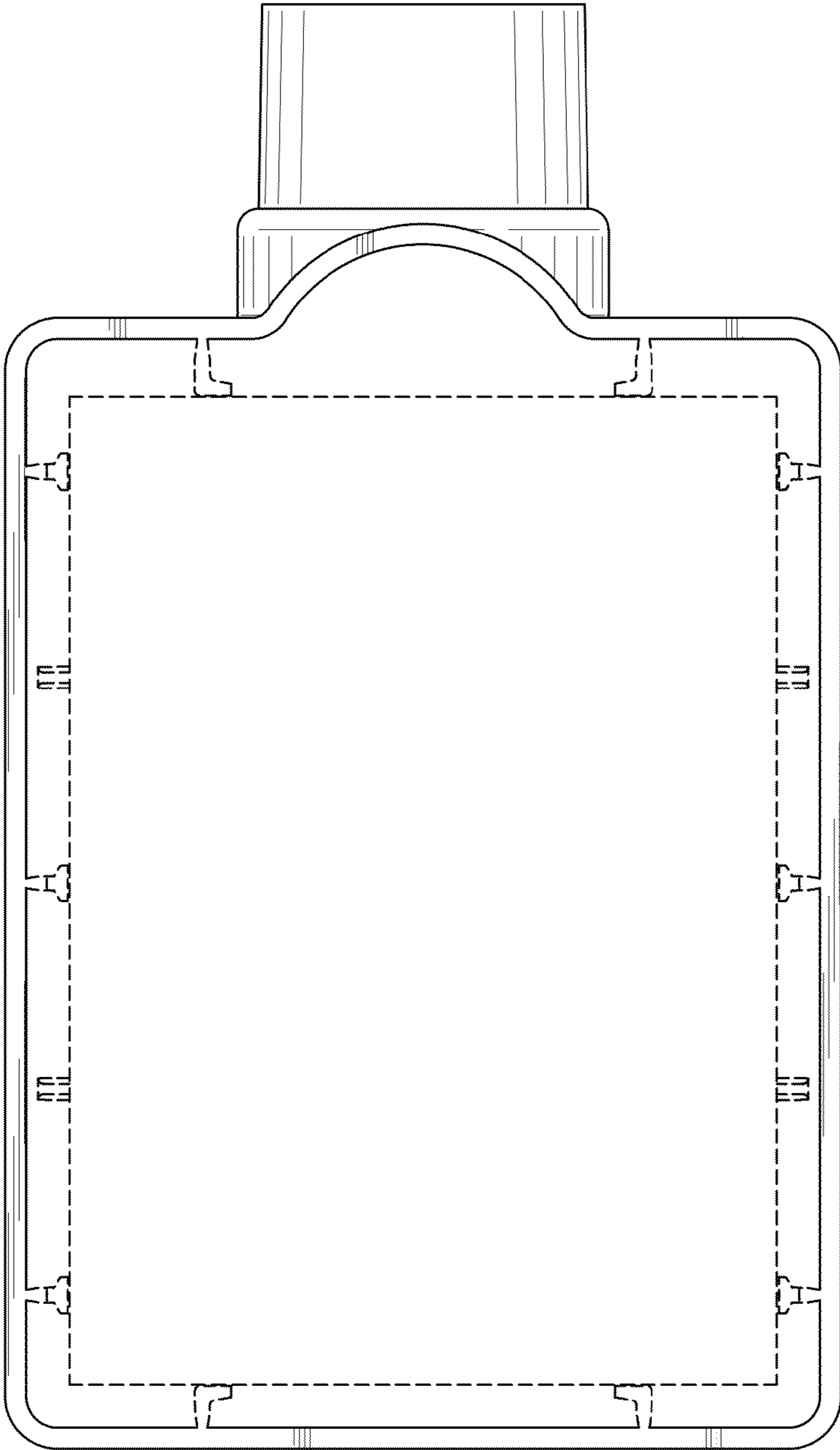


FIG. 6

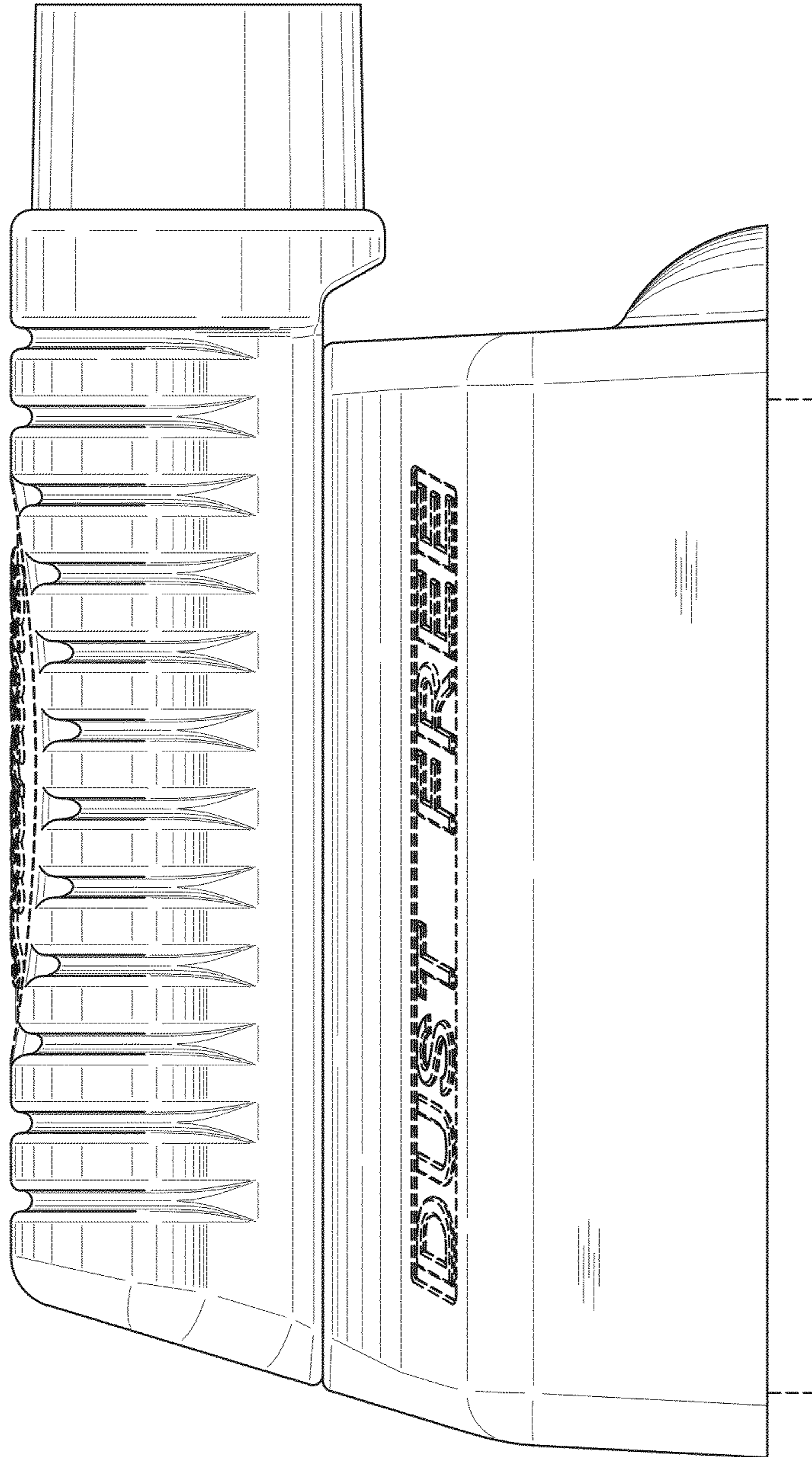


FIG. 7



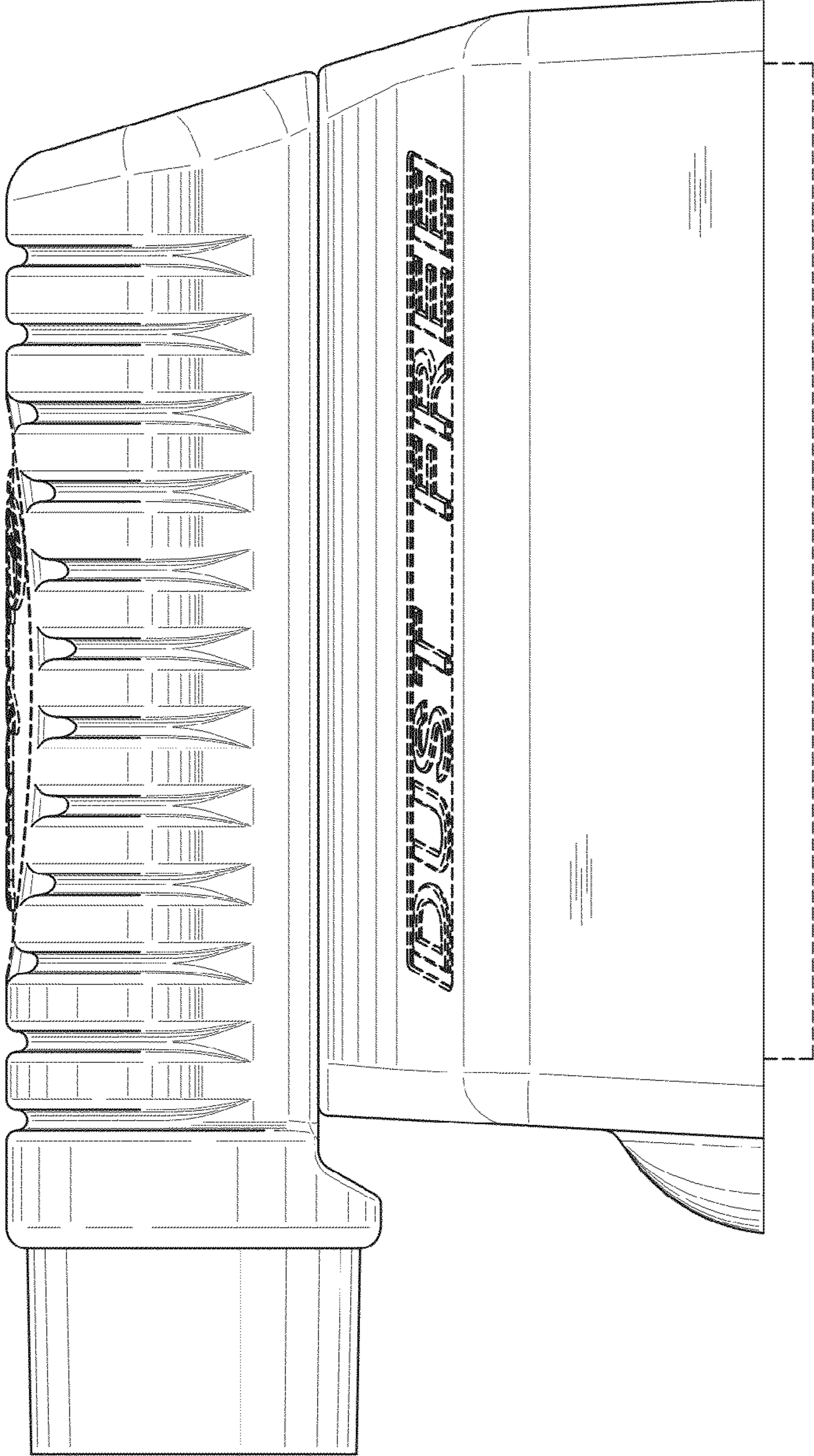


FIG. 8