



US00D720584S

(12) **United States Design Patent**
Smith

(10) **Patent No.:** **US D720,584 S**
(45) **Date of Patent:** **** *Jan. 6, 2015**

(54) **FLOORING INSTALLATION TOOL**

(76) Inventor: **Ronnie D. Smith**, Kansas City, KS (US)

(*) Notice: This patent is subject to a terminal disclaimer.

(**) Term: **14 Years**

(21) Appl. No.: **29/412,525**

(22) Filed: **Feb. 3, 2012**

2,884,035	A *	4/1959	Schut	81/46
4,072,042	A *	2/1978	Servin et al.	
5,134,907	A *	8/1992	Branson	81/46
D390,077	S *	2/1998	Moskalik	D8/14
D396,392	S *	7/1998	Moskalik	D8/14
5,819,393	A *	10/1998	Bockart et al.	
5,964,450	A *	10/1999	Pasto	254/11
5,984,271	A *	11/1999	Ellenberger	
7,121,528	B2 *	10/2006	Mikkelsen	254/11
7,156,383	B1 *	1/2007	Jacobs	269/17
D560,452	S *	1/2008	Langford	D8/14
7,398,628	B2	7/2008	Van Horne	

(Continued)

OTHER PUBLICATIONS

Lam-Hammer. Downloaded Mar. 23, 2014 from <http://www.homedepot.com/p/Lam-Hammer-JR-Laminate-Floor-Installation-Tool-250/203154913?N=5yc1vZbngb>.*

(Continued)

Primary Examiner — Philip S Hyder
Assistant Examiner — Roselynn Cody
(74) *Attorney, Agent, or Firm* — Law Office of Mark Brown, LLC; Mark E. Brown; Christopher M. DeBacker

Related U.S. Application Data

(63) Continuation-in-part of application No. 12/482,812, filed on Jun. 11, 2009, now abandoned.

(51) **LOC (10) Cl.** **08-05**

(52) **U.S. Cl.**
USPC **D8/14**

(58) **Field of Classification Search**
CPC B25B 27/02; B25D 1/16; E04F 21/22
USPC D8/14, 88, 89; 52/749.1; 81/27, 46, 81/463; 254/11, 133 R
See application file for complete search history.

(57) **CLAIM**

The ornamental design for a flooring installation tool, as shown and described.

(56) **References Cited**

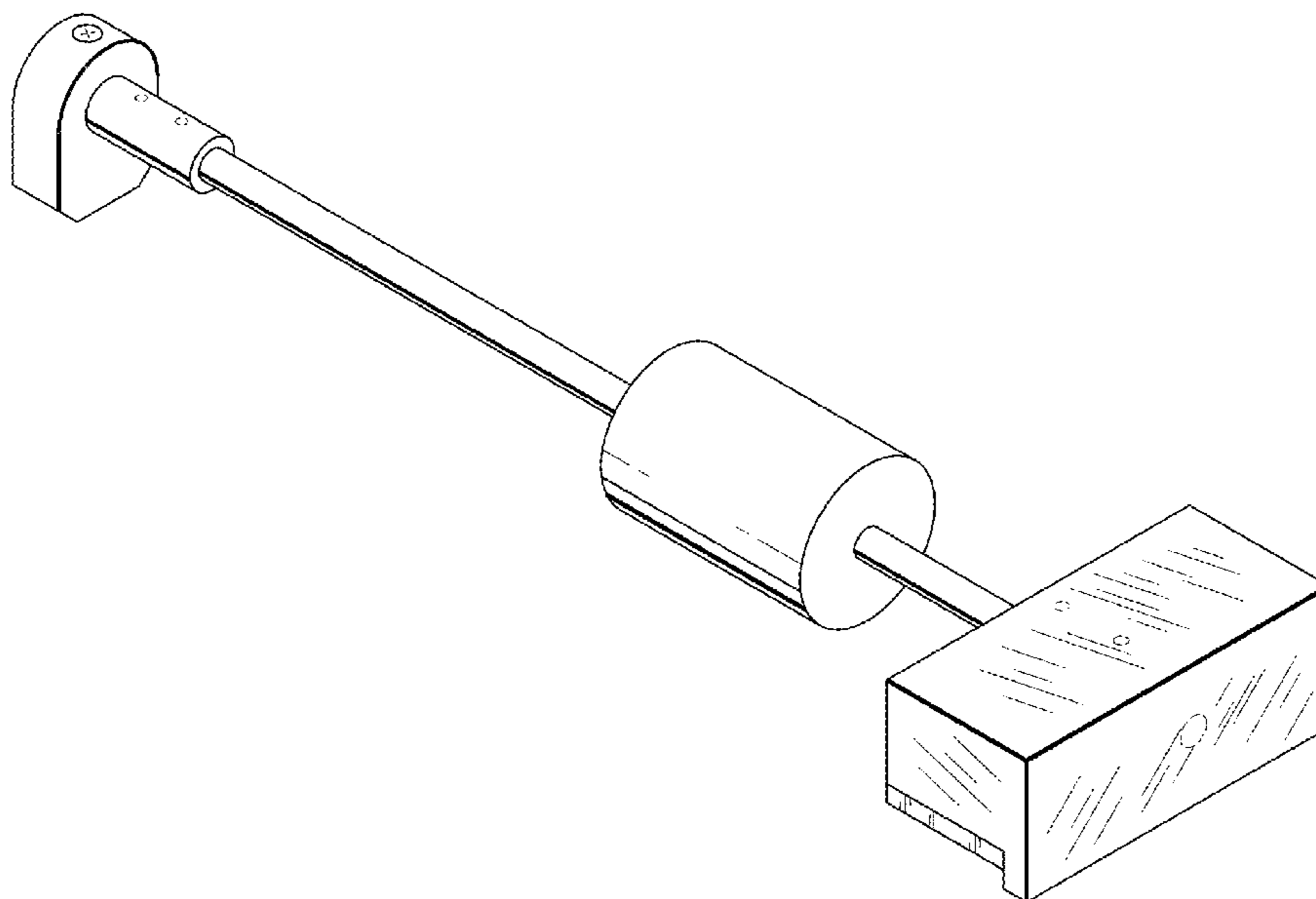
U.S. PATENT DOCUMENTS

527,474	A *	10/1894	Bates	254/11
665,945	A *	1/1901	Waters	254/11
847,272	A *	3/1907	Ayers	81/46
977,708	A *	12/1910	Burns	81/46
1,000,859	A *	8/1911	Vaughan	81/46
1,159,963	A *	11/1915	Landgraf	81/46
1,278,702	A *	9/1918	Mallernee	81/46
1,577,491	A *	3/1926	Prentice	254/11
2,654,408	A *	10/1953	Leslie	81/46
2,710,166	A *	6/1955	Miller	254/11
2,832,384	A *	4/1958	Wicks et al.	81/46

DESCRIPTION

FIG. 1 is a perspective view of a flooring installation tool; FIG. 2 is a left side elevational view thereof; the right side is a mirror image thereof. FIG. 3 is a top plan view thereof; FIG. 4 is a bottom plan view thereof; FIG. 5 is a front elevational view thereof; and, FIG. 6 is a rear elevational view thereof.

1 Claim, 3 Drawing Sheets



(56)

References Cited

U.S. PATENT DOCUMENTS

7,451,671 B2 * 11/2008 Coleman, Jr. 81/46
7,536,933 B1 5/2009 Torres, Jr.
7,712,199 B1 * 5/2010 Wilson 29/254
7,913,976 B2 * 3/2011 Gaunt 254/11
8,434,738 B1 * 5/2013 Anstett 254/12

2005/0252167 A1* 11/2005 Van Horne 52/749.1
2007/0029101 A1 2/2007 Croas

OTHER PUBLICATIONS

“Laminate Flooring Installation Tools”, Taylor Tools Web Page
www.taylortools.com/prod33.html Jun. 12, 2008.

* cited by examiner

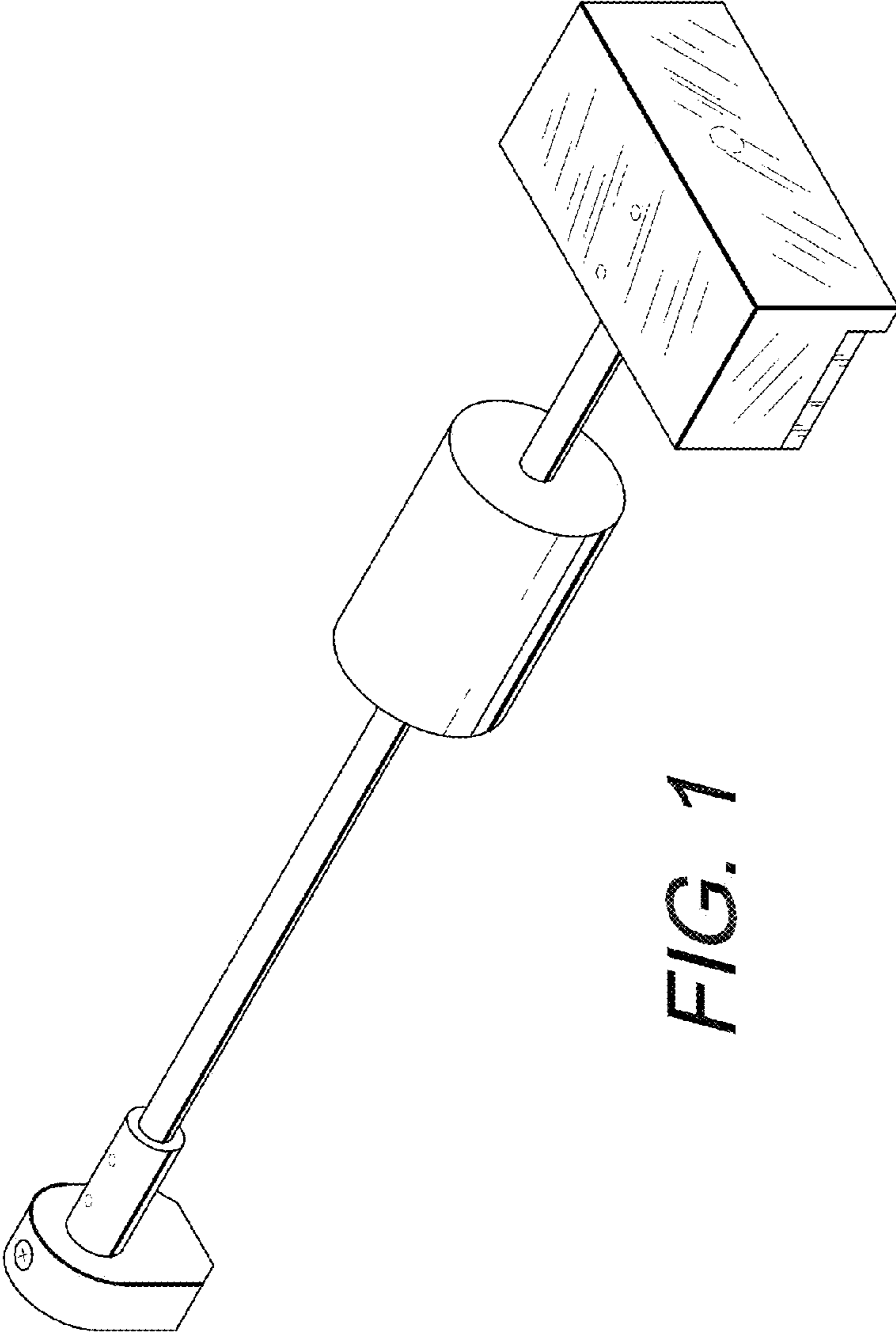


FIG. 1

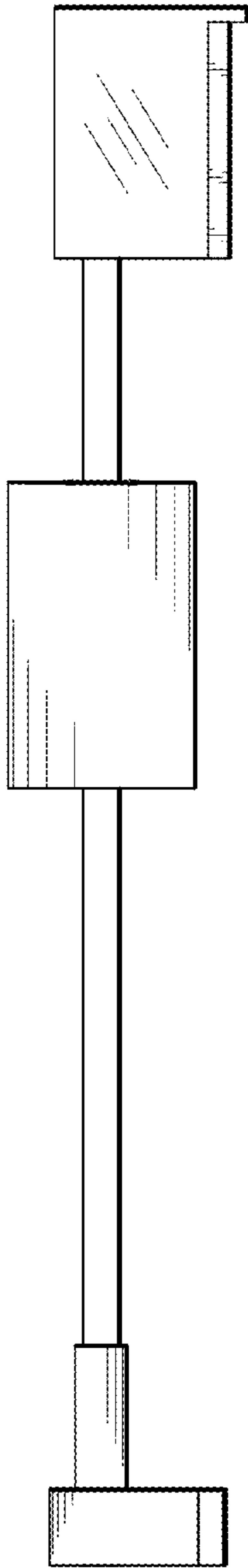


FIG. 2

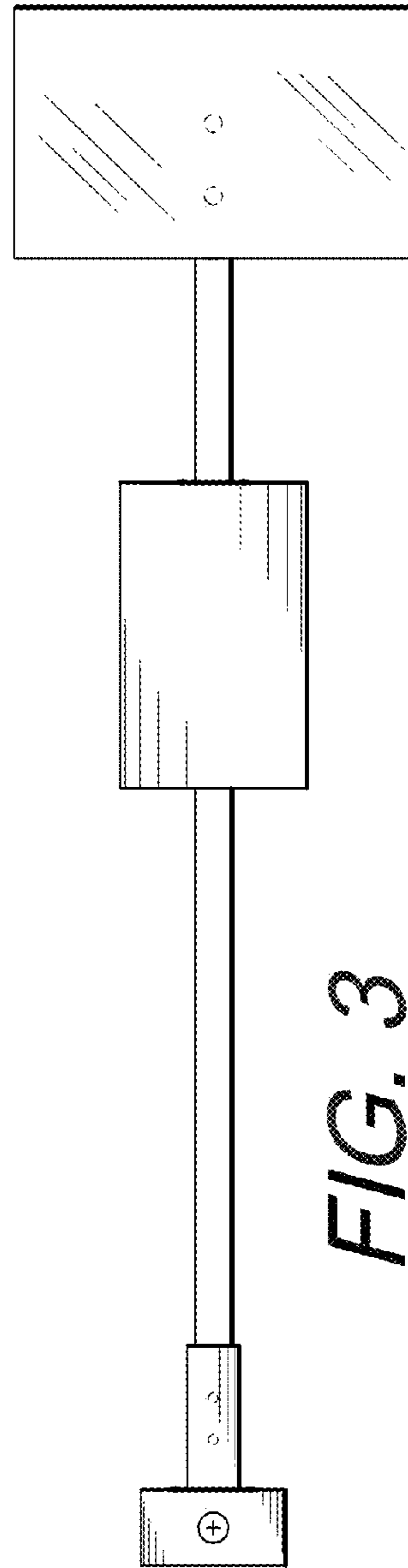


FIG. 3

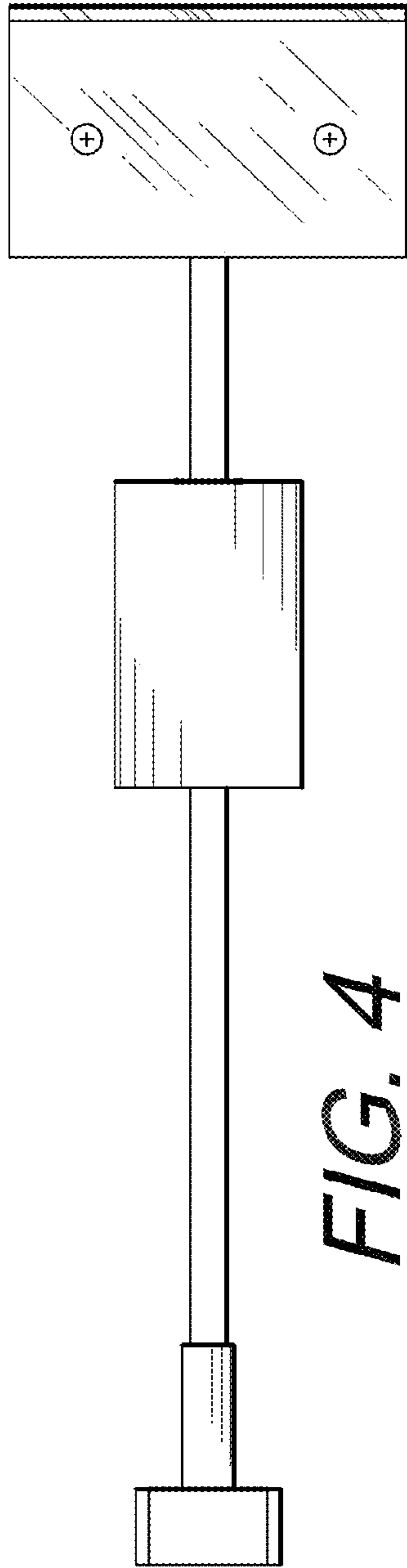


FIG. 4

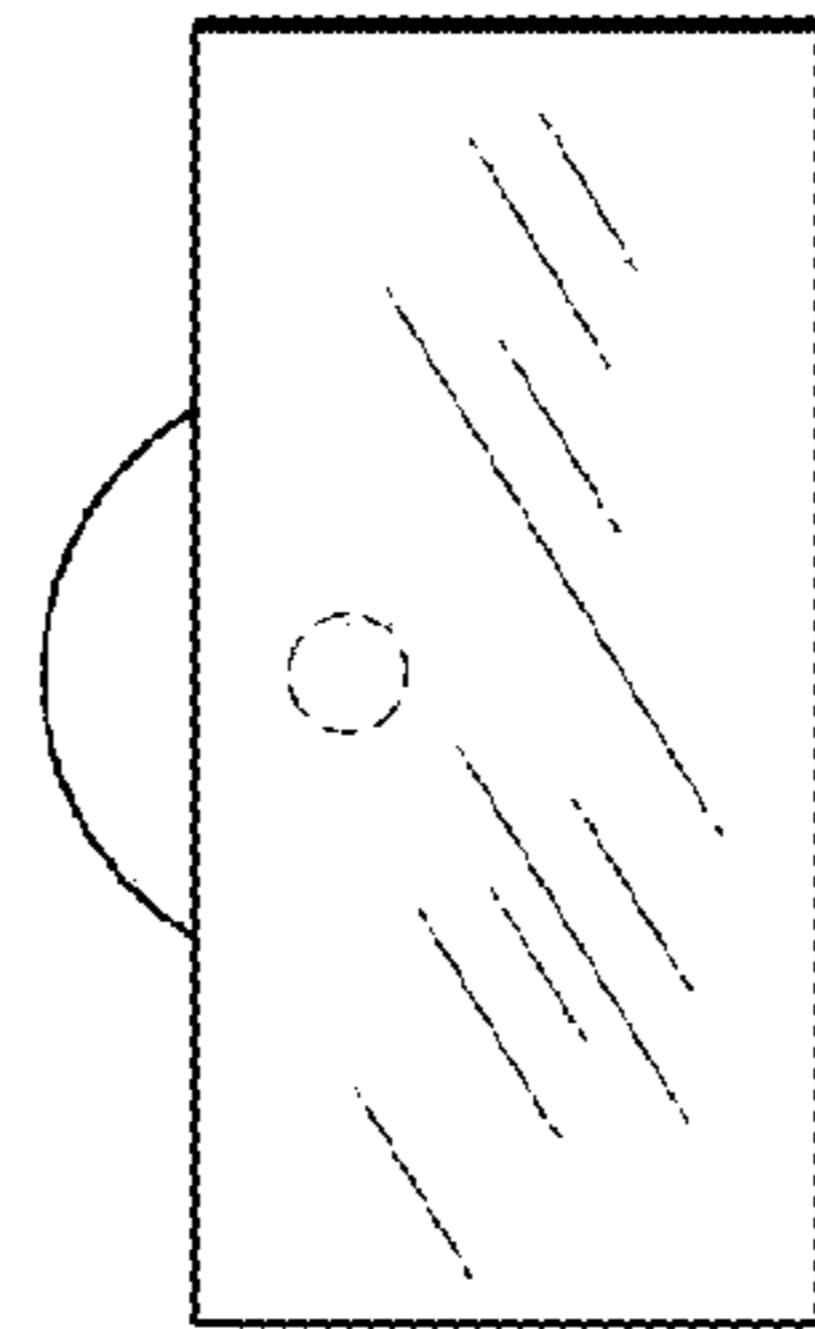


FIG. 5

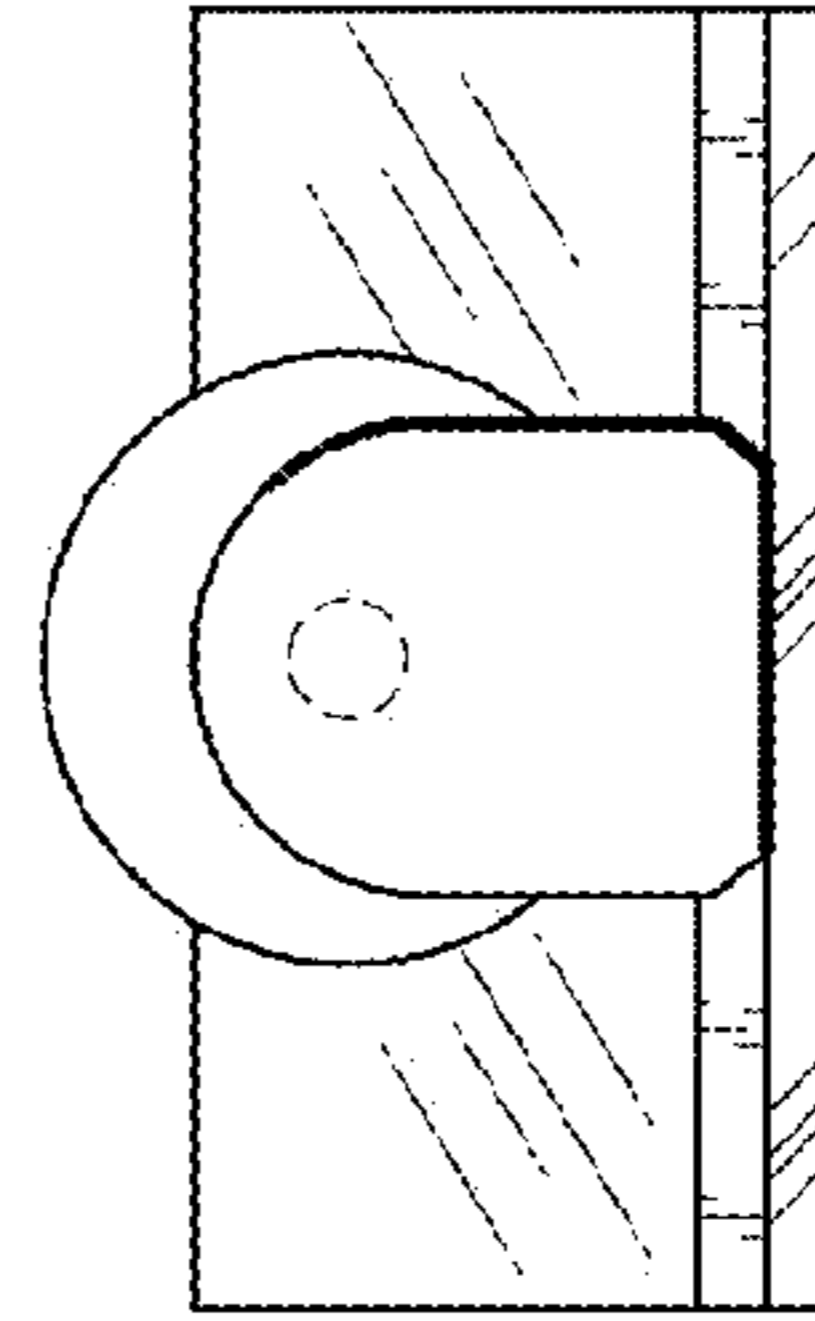


FIG. 6