



US00D720581S

(12) **United States Design Patent**
Puruganan

(10) **Patent No.:** **US D720,581 S**
(45) **Date of Patent:** **** Jan. 6, 2015**

(54) **KITCHENWARE ORGANIZER**
(71) Applicant: **Andre Puruganan**, Hayward, CA (US)
(72) Inventor: **Andre Puruganan**, Hayward, CA (US)
(**) Term: **14 Years**

(21) Appl. No.: **29/458,941**

(22) Filed: **Jun. 25, 2013**

(51) **LOC (10) Cl.** **07-06**

(52) **U.S. Cl.**
USPC **D7/704**

(58) **Field of Classification Search**
USPC D7/631-634, 704, 600.1-600.4, 590,
D7/592, 596, 701, 602, 702, 705, 637, 638,
D7/641; D6/673, 675.2, 675.5, 676.5,
D6/677.5, 678.4, 680.3, 329, 677, 677.1,
D6/677.2, 514, 515, 519, 524, 512, 513;
D19/90, 86, 75, 84, 85, 92, 95;
D32/55; D30/121, 128, 129, 131, 133;
D3/20, 26, 210, 229, 257, 258, 328,
D3/304, 306; 211/41.1-41.4, 11, 126.9,
211/133.5, 85.4, 70.7, 71.01, 74; 119/51.5
See application file for complete search history.

(56) **References Cited**

U.S. PATENT DOCUMENTS

D162,926	S	*	4/1951	Berkowitz	D6/462
3,025,967	A	*	3/1962	Christophersen	211/41.5
4,346,806	A	*	8/1982	Bustos	211/59.4
D267,841	S	*	2/1983	Leslie	D7/704
D294,272	S	*	2/1988	Morris	D20/19
D480,926	S	*	10/2003	Morgan	D7/601
D494,016	S	*	8/2004	Compagnucci	D7/601
D494,017	S	*	8/2004	Compagnucci	D7/601
D494,020	S	*	8/2004	Compagnucci	D7/601
D494,422	S	*	8/2004	Compagnucci	D7/601
D555,310	S	*	11/2007	Yang et al.	D32/55
D588,378	S		3/2009	Goodman et al.		
D599,068	S	*	8/2009	Yang et al.	D32/55
D628,858	S	*	12/2010	Guindi	D7/637

D661,929	S	*	6/2012	Purcell et al.	D6/525
D697,379	S	*	1/2014	Puruganan	D7/673
D704,483	S	*	5/2014	Dryden	D6/675.2
2005/0236344	A1	*	10/2005	Yang et al.	211/41.4
2007/0144984	A1	*	6/2007	Sullivan et al.	211/41.3
2008/0029465	A1	*	2/2008	Yang et al.	211/41.5
2008/0116155	A1	*	5/2008	Yang et al.	211/41.3
2009/0152218	A1	*	6/2009	Yang et al.	211/41.4
2009/0211994	A1	*	8/2009	Yang et al.	211/41.4

OTHER PUBLICATIONS

http://www.google.co.in/imgres?biw=1472&bih=728&tbn=isch&tbnid=p-a76LJoneAyhM:&imgrefurl=http://www.ebay.co.uk/itm/Raised-WINDOW-SECURITY-GRILLES-BARS-garage-office-home-/160412347048&docid=dCpYey9Bz27NfM&imgurl=http://img638.imageshack.us/img638/3558/sdc11931.jpg&w=800&h=426&ei=fYPKUYnPCMy_kgXVm4G4CQ&zoom=1&ved=1t:3588,r:28,s:0,i:168&iact=rc&page=2&tbnh=164&tbnw=308&start=20&ndsp=26&tx=127&ty=90
http://thumbs1.ebaystatic.com/d/1225/m/mlM62-FTS6G8Hj_Upbkl-BA.jpg

* cited by examiner

Primary Examiner — Ian Simmons
Assistant Examiner — Shannon Morgan
(74) *Attorney, Agent, or Firm* — Raj Abhyanker, P.C.

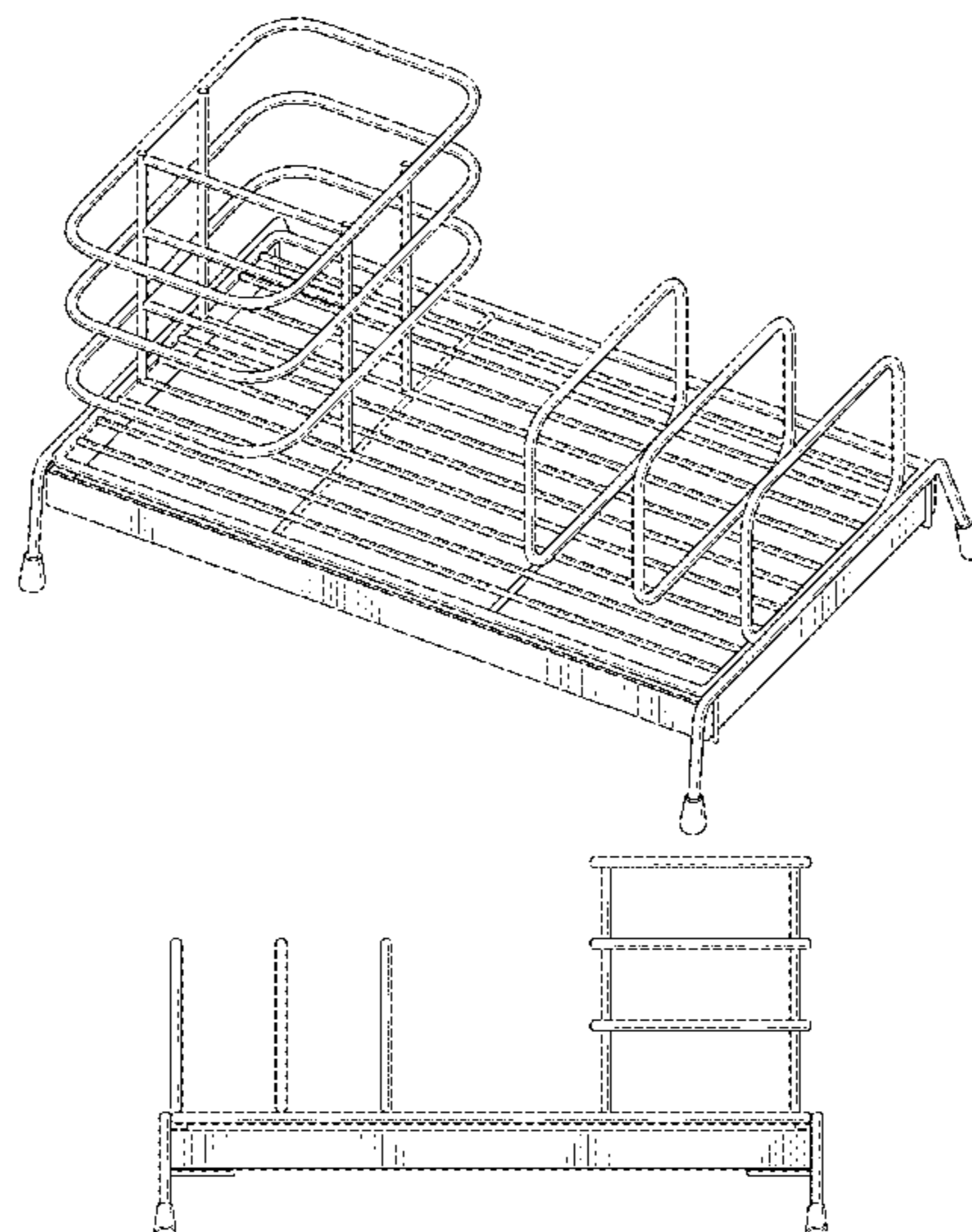
(57) **CLAIM**

The ornamental design for a kitchenware organizer, as shown and described.

DESCRIPTION

FIG. 1 is a top, right perspective view of a kitchenware organizer showing my new design;
FIG. 2 is a front elevational view thereof;
FIG. 3 is a rear elevational view thereof;
FIG. 4 is a left side elevational view thereof;
FIG. 5 is a right side elevational view thereof;
FIG. 6 is a top plan view thereof; and,
FIG. 7 is a bottom plan view thereof.

1 Claim, 4 Drawing Sheets



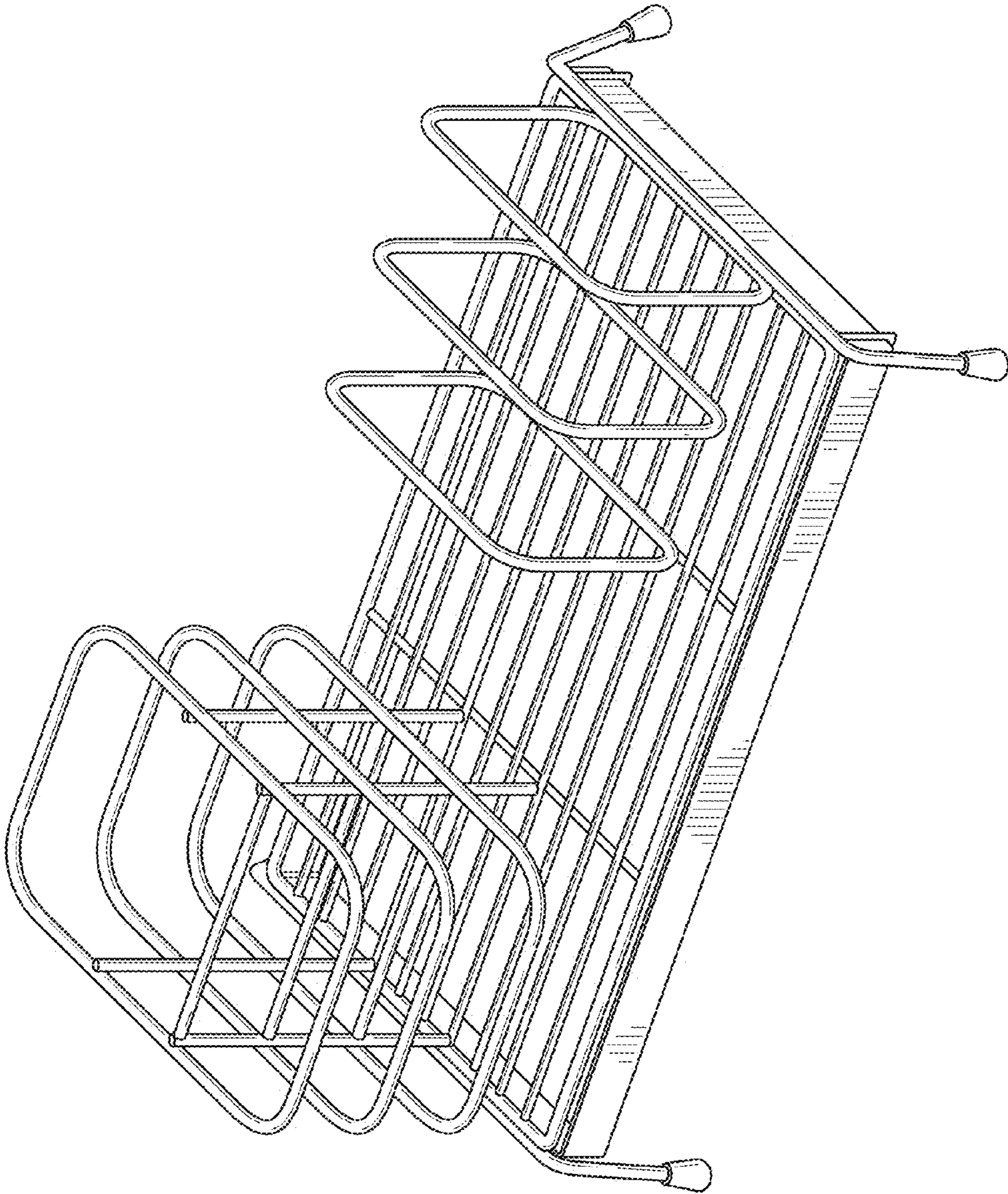


FIG. 1

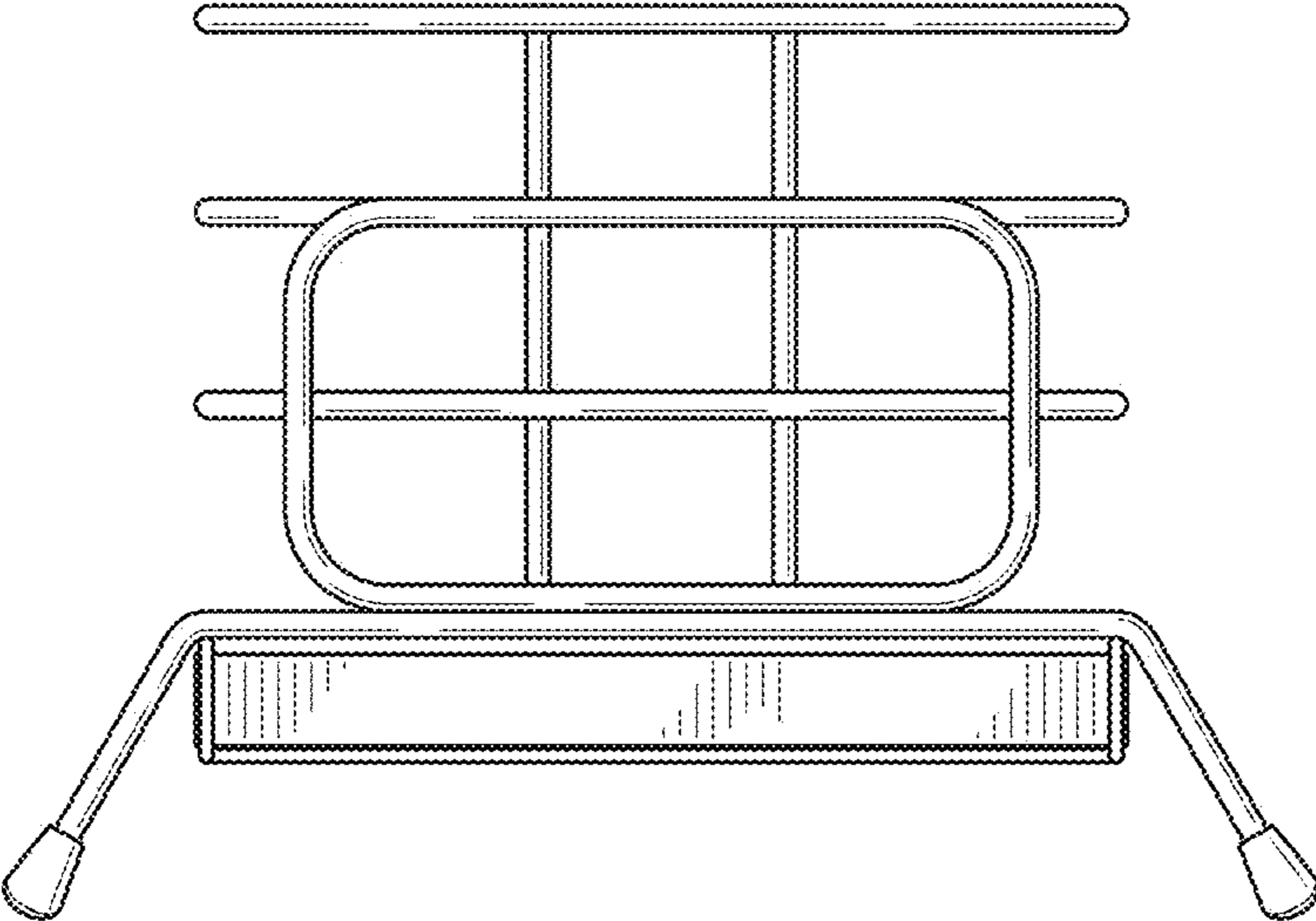


FIG. 2

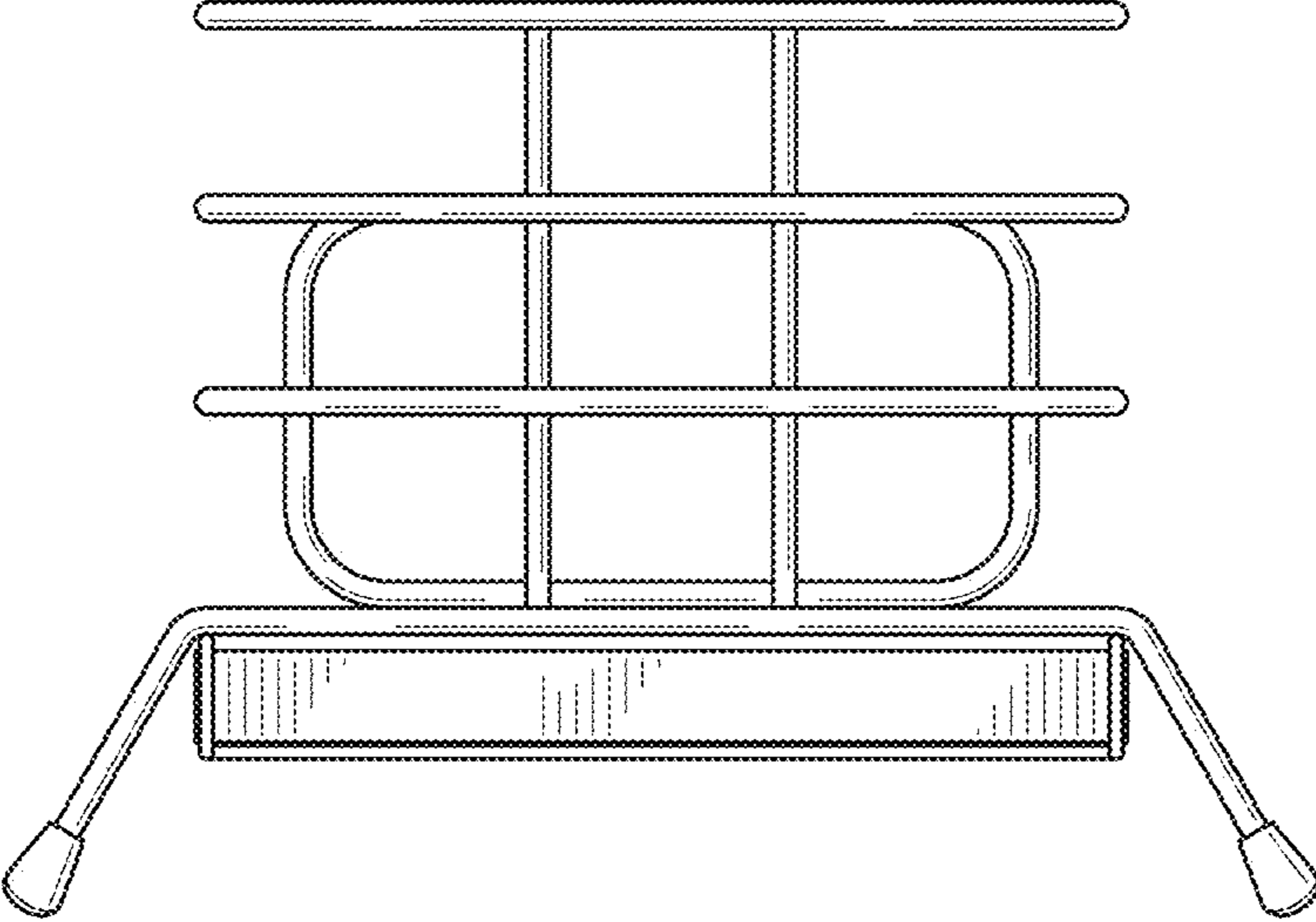


FIG. 3

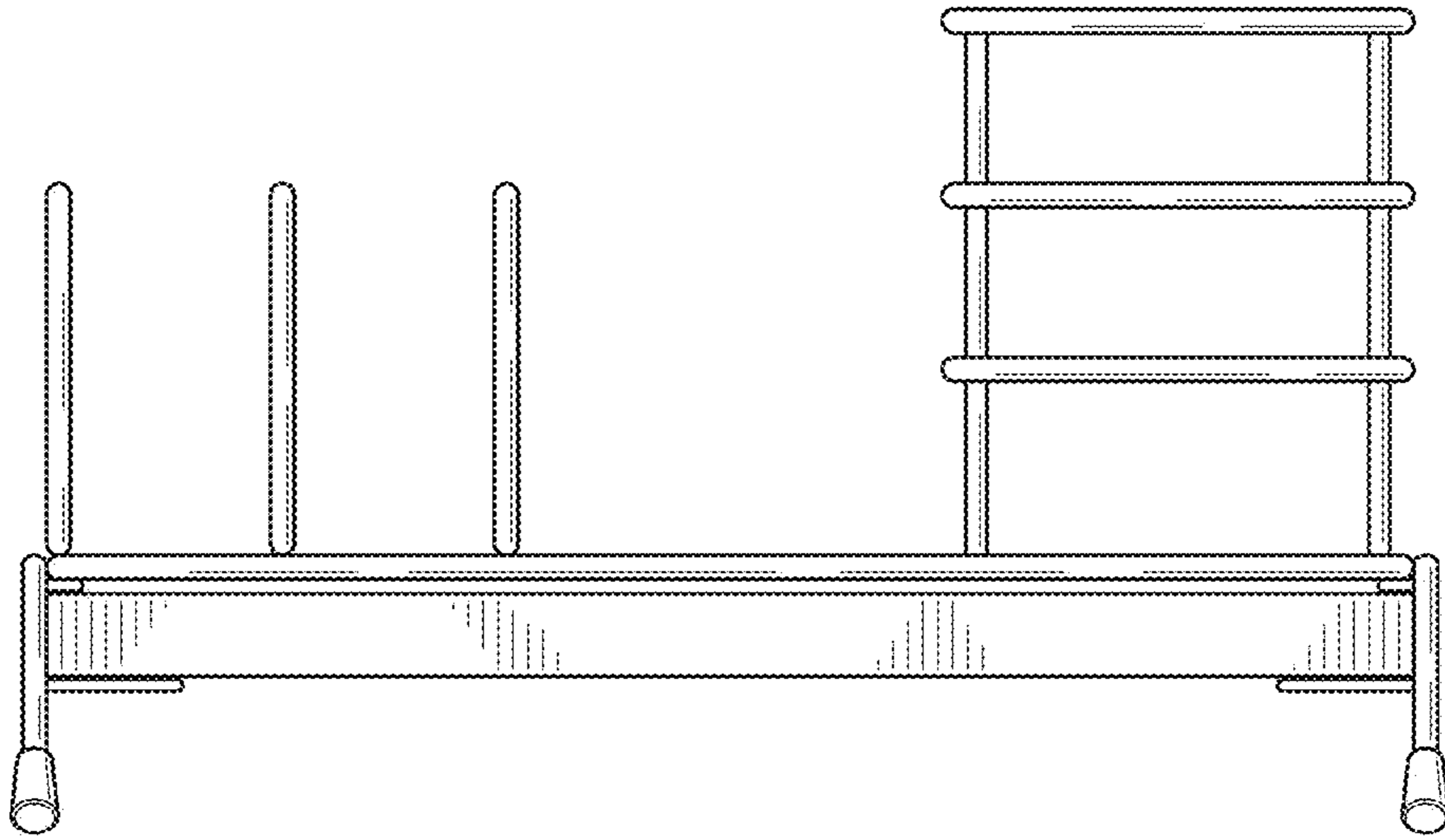


FIG. 4

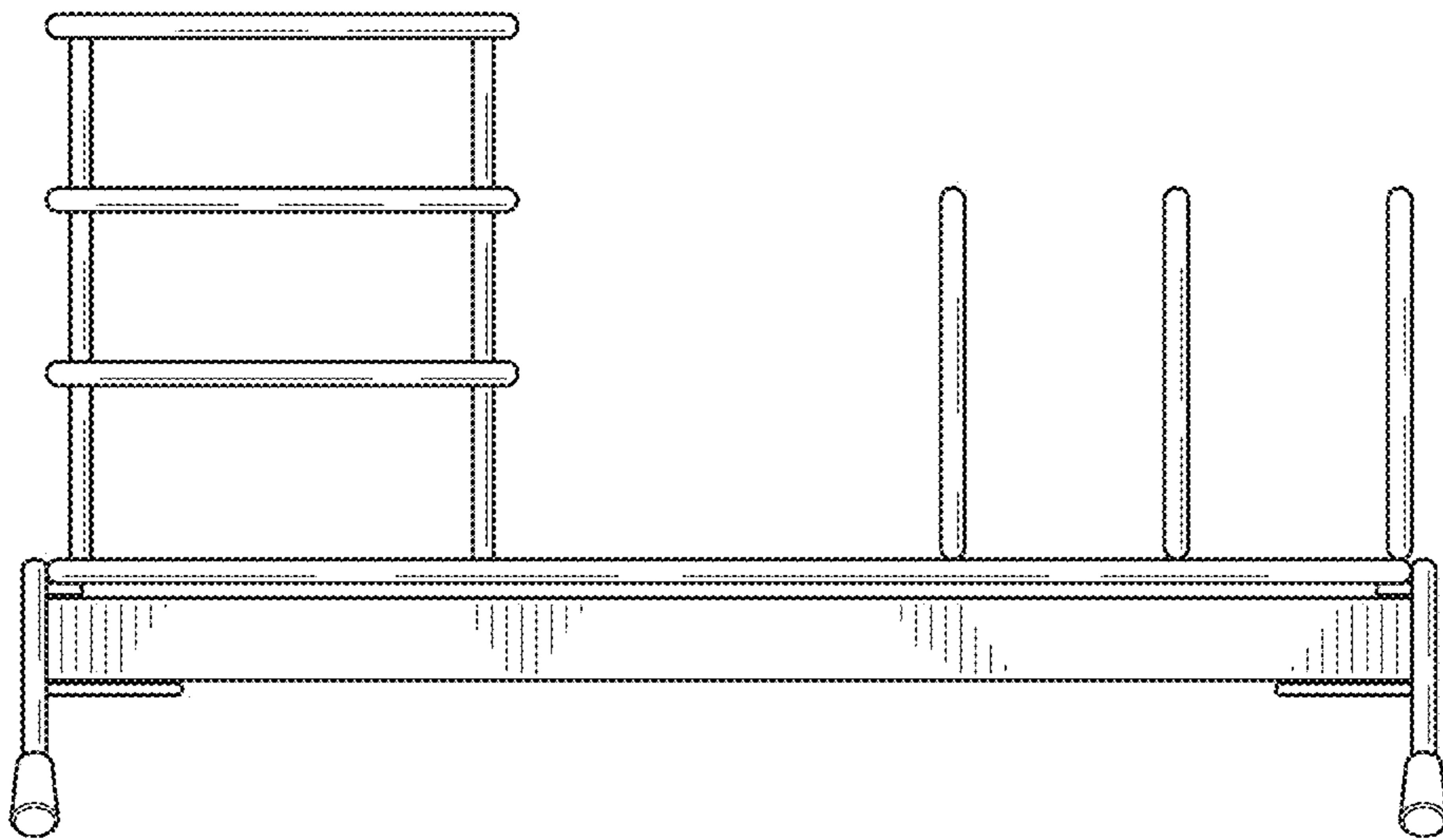


FIG. 5

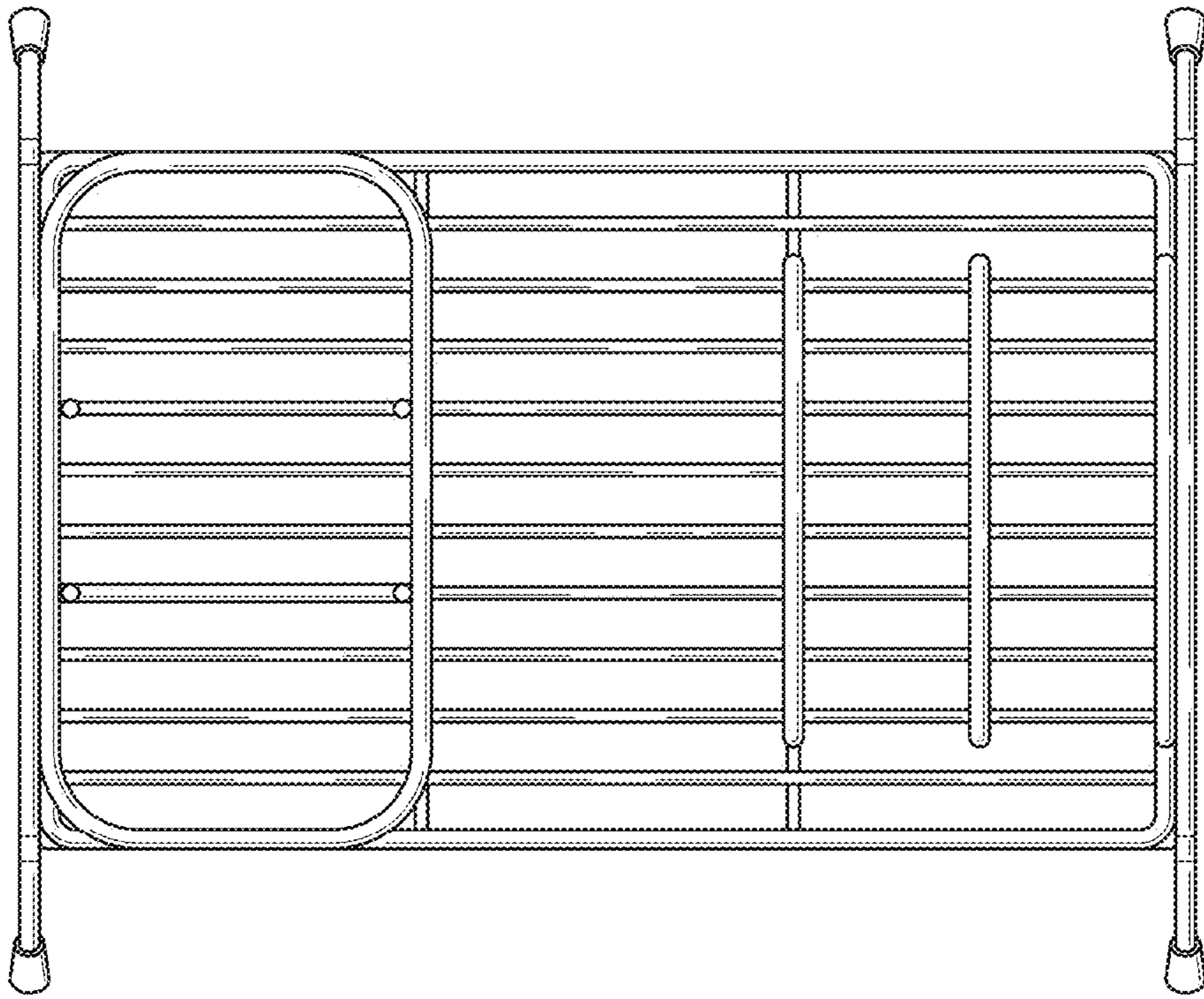


FIG. 6

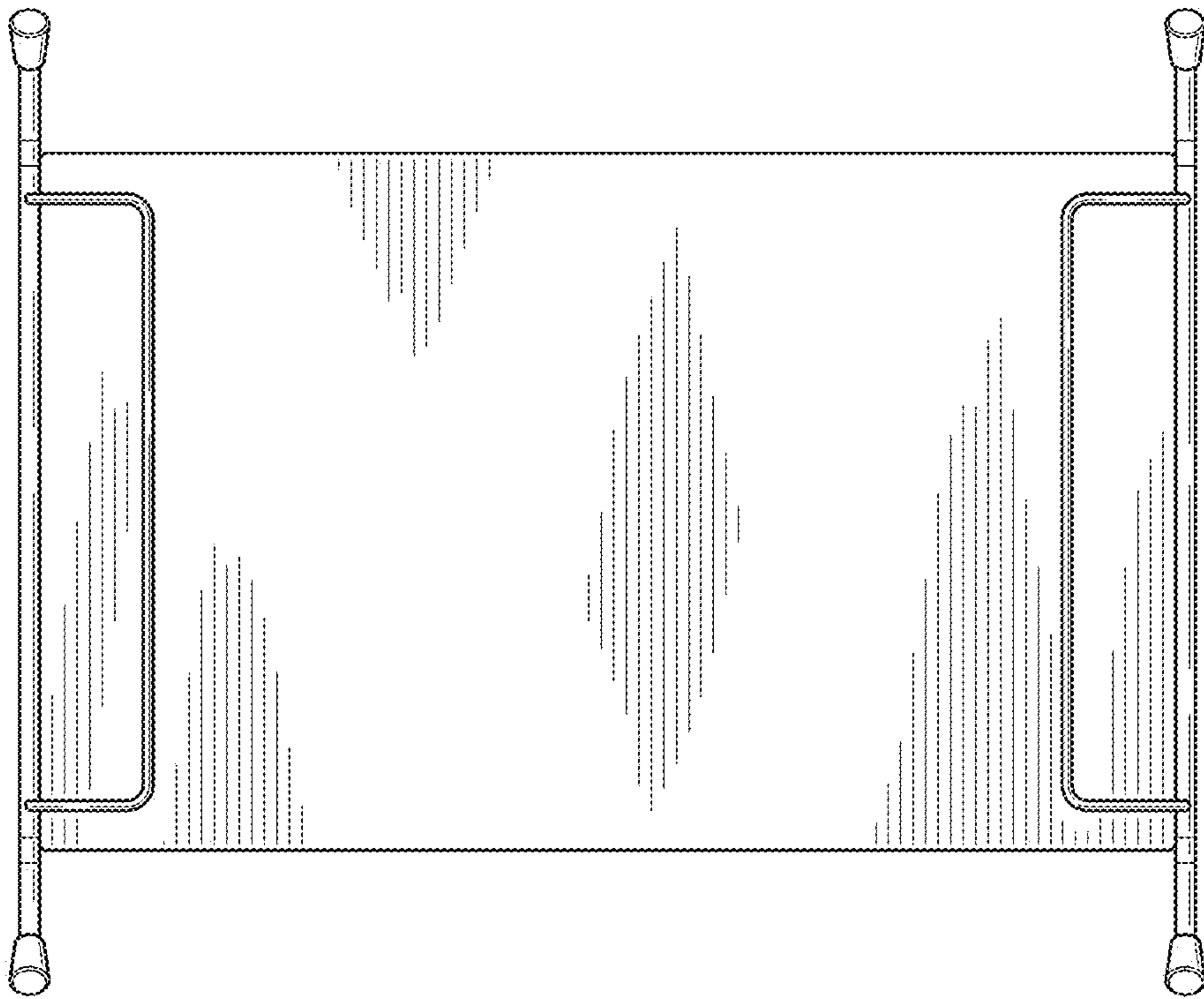


FIG. 7