



US00D720580S

(12) **United States Design Patent**  
**Puruganan**

(10) **Patent No.:** **US D720,580 S**  
(45) **Date of Patent:** **\*\* Jan. 6, 2015**

(54) **KITCHENWARE ORGANIZER**  
(71) Applicant: **Andre Puruganan**, Hayward, CA (US)  
(72) Inventor: **Andre Puruganan**, Hayward, CA (US)  
(\*\*) Term: **14 Years**  
(21) Appl. No.: **29/457,772**

(22) Filed: **Jun. 13, 2013**  
(51) **LOC (10) Cl.** ..... **07-06**  
(52) **U.S. Cl.**  
USPC ..... **D7/704; D7/600.1**  
(58) **Field of Classification Search**  
USPC ..... D7/631-634, 704, 600.1-600.4, 590,  
D7/592, 596, 701, 602, 702, 705, 637, 638,  
D7/641; D6/673, 675.2, 675.5, 676.5,  
D6/677.5, 678.4, 680.3, 329, 677, 677.1,  
D6/677.2; D19/90, 86, 75, 84, 85, 92, 95;  
D32/55; D30/121, 128, 129, 131, 133;  
D3/20, 26, 210, 229, 257, 258, 328,  
D3/304, 306; 211/41.1-41.4, 11, 126.9,  
211/133.5, 85.4, 70.7, 71.01, 74; 119/51.5  
See application file for complete search history.

(56) **References Cited**

**U.S. PATENT DOCUMENTS**

1,559,695	A *	11/1925	Hatch	206/202
1,631,725	A *	6/1927	Halvorsen	211/85.31
2,049,884	A *	8/1936	Wurster et al.	220/486
2,550,355	A *	4/1951	James	211/74
2,584,301	A *	2/1952	Sinclair	119/61.53
D198,349	S *	6/1964	Saunders	D6/552
D202,665	S *	10/1965	Petrone et al.	D3/309
D267,841	S *	2/1983	Leslie	D7/704
D288,053	S *	2/1987	Maza et al.	D7/704
4,718,402	A *	1/1988	Fordyce	126/337 R
D294,272	S *	2/1988	Morris	D20/19
D302,756	S *	8/1989	Trine	D30/133
D341,463	S *	11/1993	Booth	D3/306

D348,633	S *	7/1994	Emalfarb et al.	D11/156
D349,212	S *	8/1994	Lynch	D7/505
D430,441	S *	9/2000	Rosenberg	D6/566
D433,958	S *	11/2000	Rosenberg	D6/513
D469,810	S *	2/2003	Joss et al.	D19/75
D485,705	S	1/2004	Goodman et al.	
D565,805	S *	4/2008	Modi et al.	D30/133
D568,004	S *	4/2008	Tiemann	D30/133
D661,929	S *	6/2012	Purcell et al.	D6/525
D697,379	S *	1/2014	Puruganan	D7/673

**OTHER PUBLICATIONS**

[http://www.firepitsite.com/img/fire\\_pit\\_wood\\_rack\\_w1859.jpg](http://www.firepitsite.com/img/fire_pit_wood_rack_w1859.jpg).  
<http://visionintl.in/wp-content/themes/parallelus-traject/includes/timthumb.php?src=/wp-content/uploads/2012/03/EJS-8104-Round-Spice-Rack-with-Stand-Case-Pack-12-sets.jpg&w=593&h=199&z=1>.  
<http://www.jstemperedglass.com/images/2012030810003348842835w1000h1000usl/tea-table-glass.jpg>.

\* cited by examiner

*Primary Examiner* — Ian Simmons  
*Assistant Examiner* — Shannon Morgan  
(74) *Attorney, Agent, or Firm* — Raj Abhyanker, P.C.

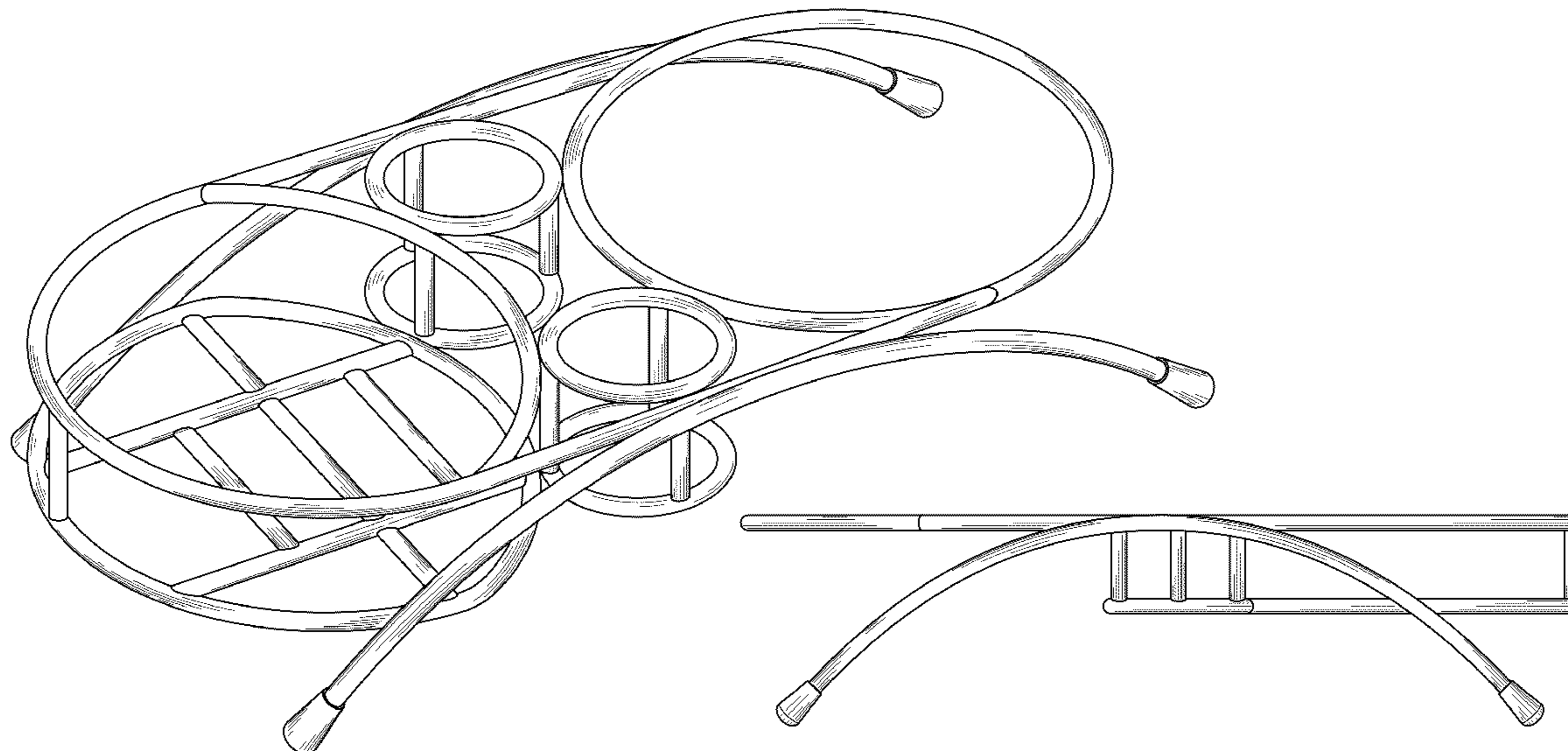
(57) **CLAIM**

The ornamental design for a kitchenware organizer, as shown and described.

**DESCRIPTION**

FIG. 1 is a top, right perspective view of a kitchenware organizer showing my new design;  
FIG. 2 is a front elevational view thereof;  
FIG. 3 is a rear elevational view thereof;  
FIG. 4 is a left side elevational view thereof;  
FIG. 5 is a right side elevational view thereof;  
FIG. 6 is a top plan view thereof; and,  
FIG. 7 is a bottom plan view thereof.

**1 Claim, 4 Drawing Sheets**



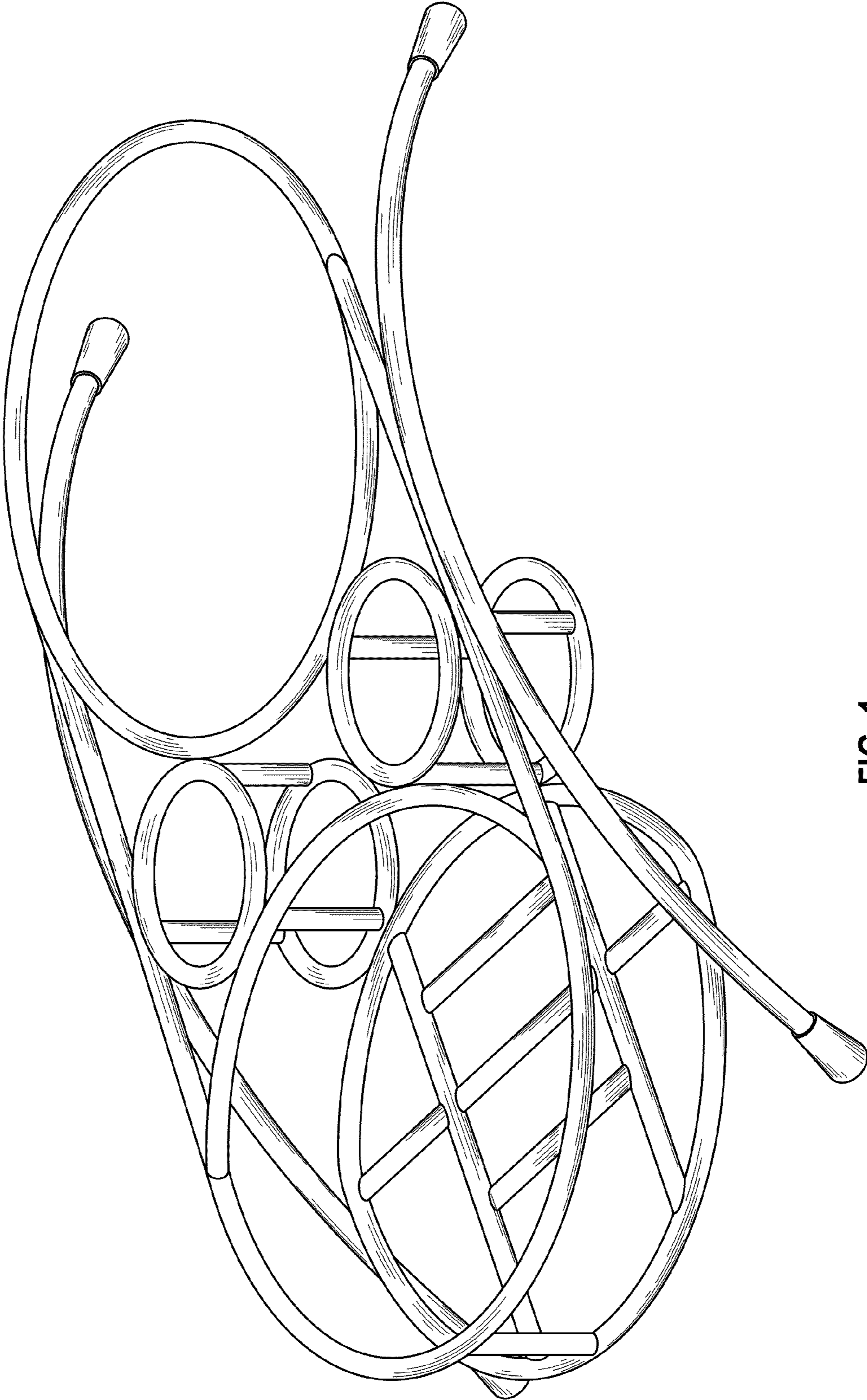


FIG. 1

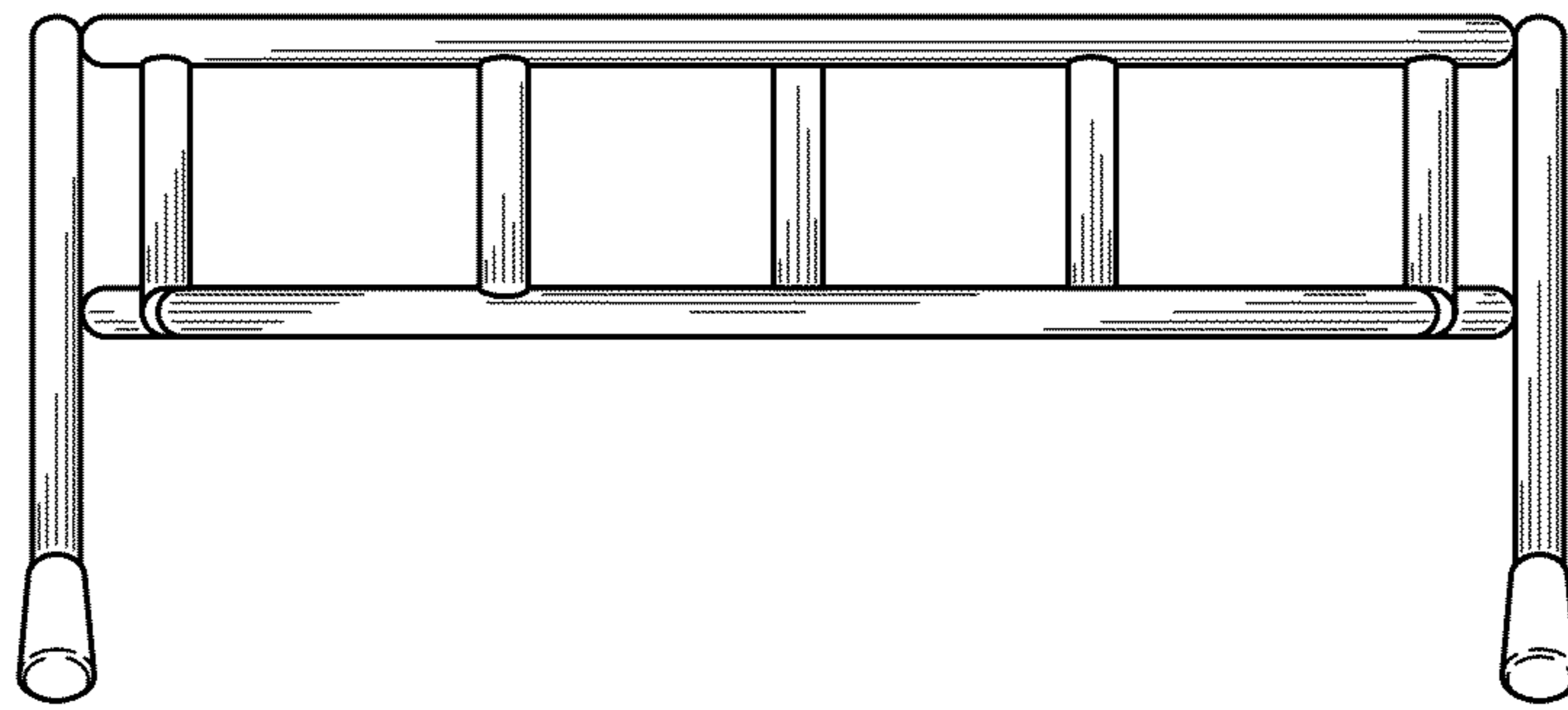


FIG. 2

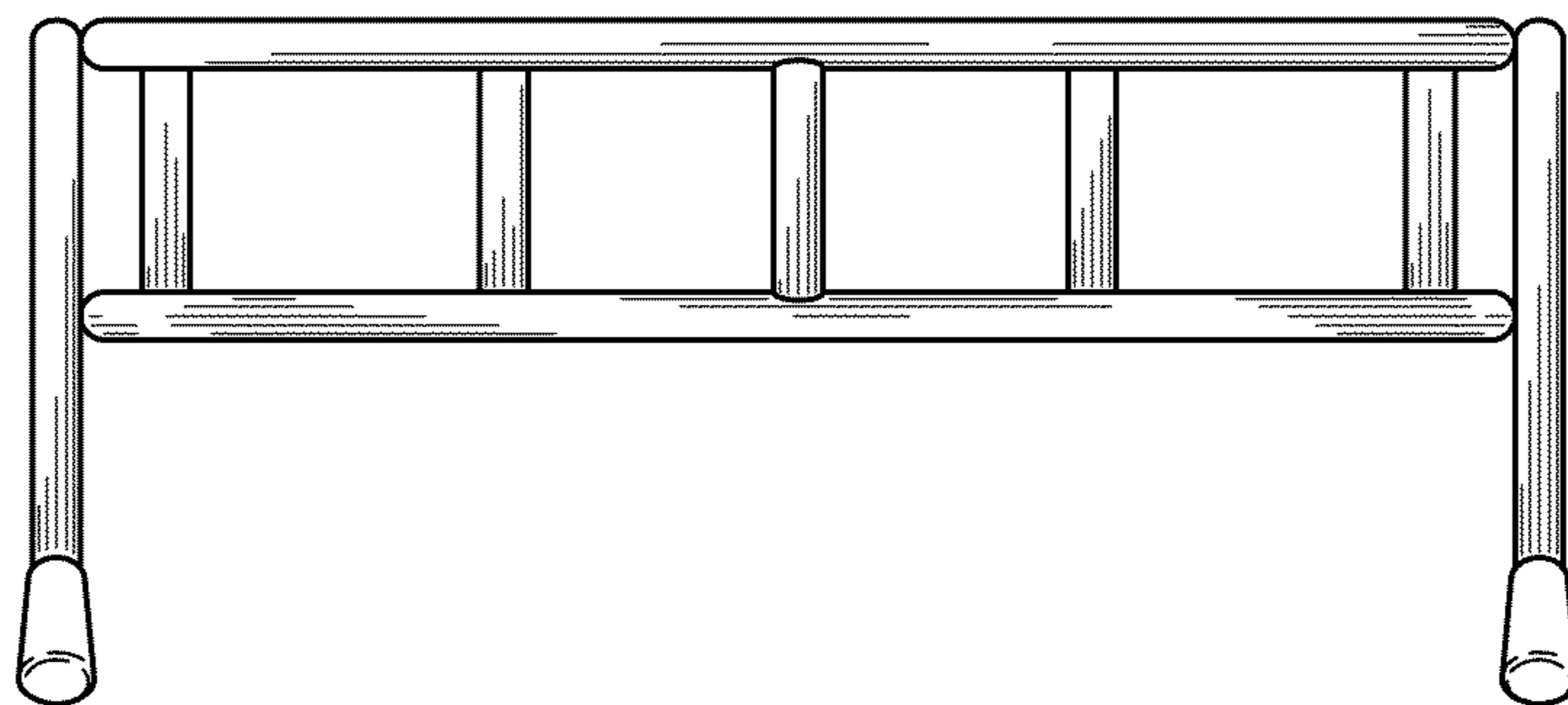


FIG. 3

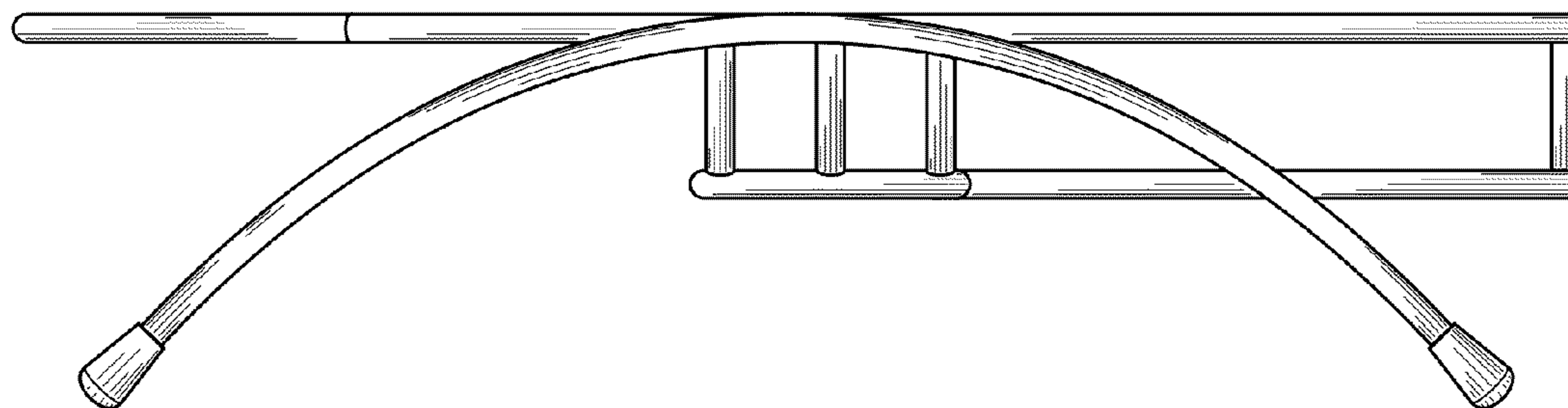


FIG. 4

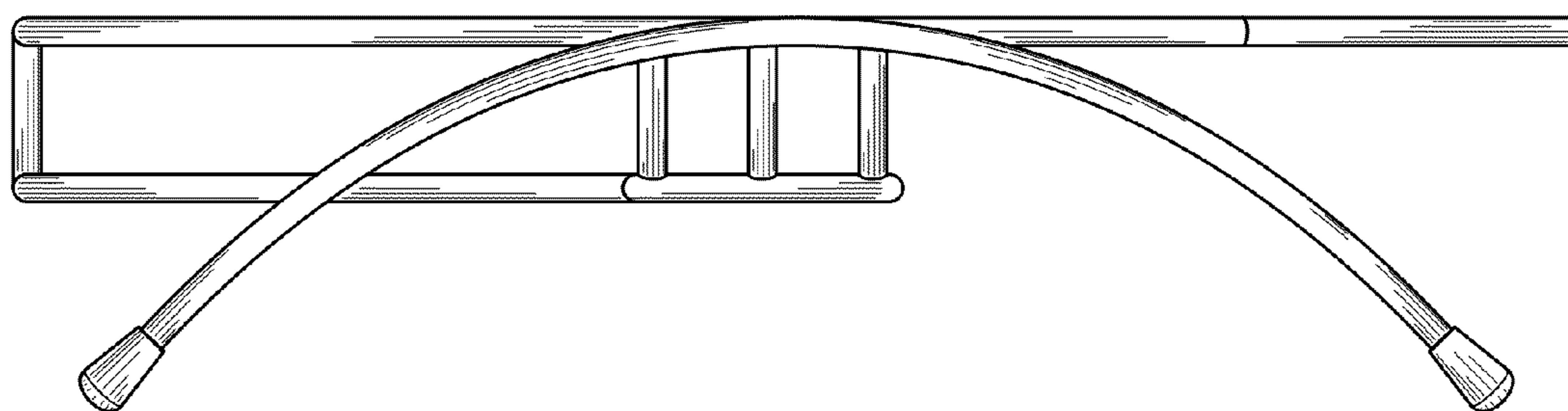


FIG. 5

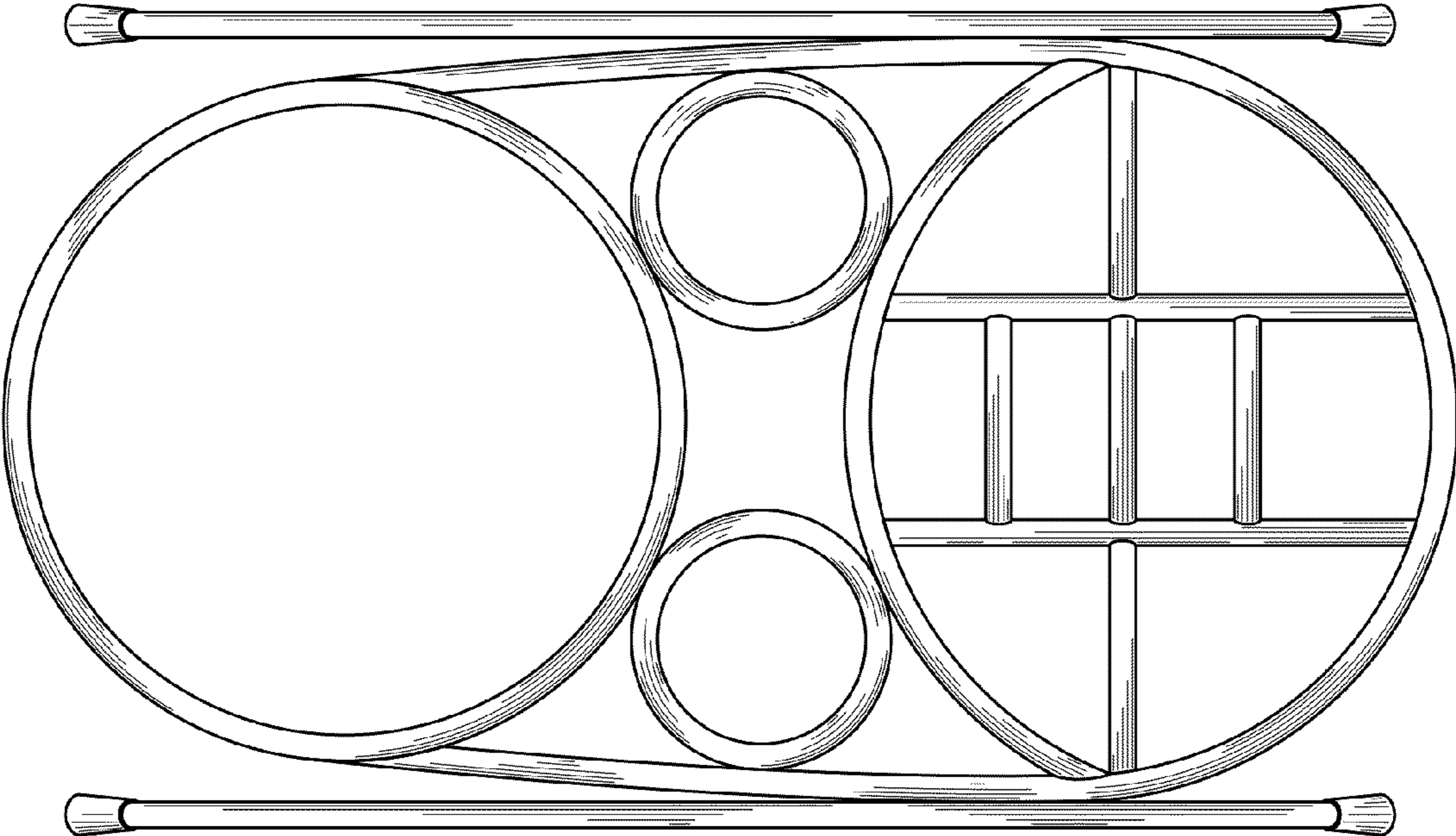


FIG. 6

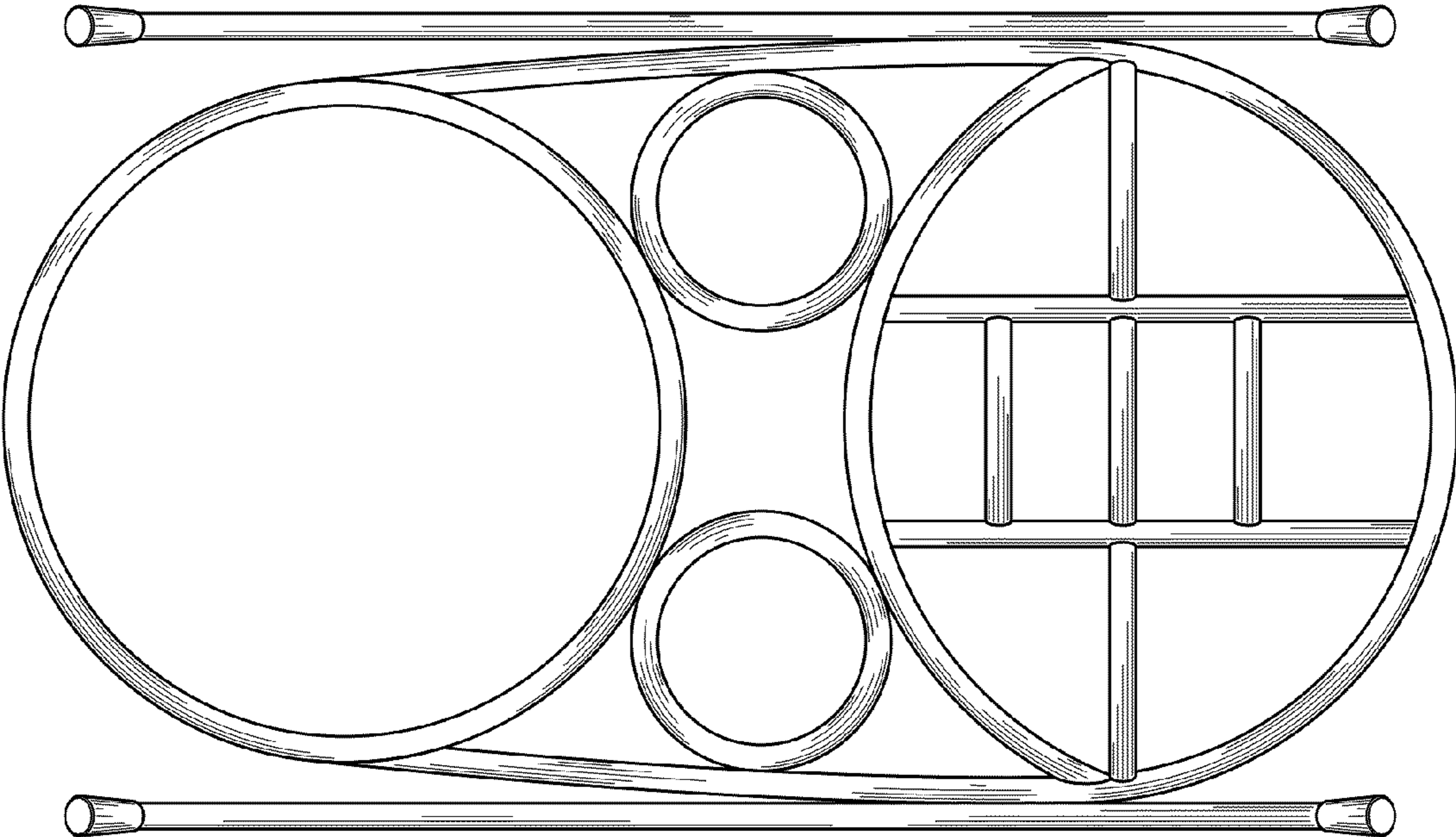


FIG. 7