



US00D720578S

(12) **United States Design Patent**
Evans et al.

(10) **Patent No.:** **US D720,578 S**

(45) **Date of Patent:** **** Jan. 6, 2015**

(54) **DUO CARVE**

(71) Applicant: **Joseph Joseph Ltd.**, London (GB)

(72) Inventors: **David Evans**, Cambridge (GB); **Ashley May**, Cambridge (GB)

(73) Assignee: **Joseph Joseph Ltd.**, London (GB)

(**) Term: **14 Years**

(21) Appl. No.: **29/462,592**

(22) Filed: **Aug. 6, 2013**

(30) **Foreign Application Priority Data**

Mar. 28, 2013 (EM) 002211268-0002

(51) **LOC (10) Cl.** **07-03**

(52) **U.S. Cl.**
USPC **D7/643**; D7/642; D7/645; D7/649

(58) **Field of Classification Search**
CPC A22C 25/17; A47G 21/06; A47G 21/065;
A47J 17/02; A61B 17/3211; A61B 17/3213;
B21D 53/64; B26B 1/00; B26B 1/08; B26B
1/10; B26B 3/00; B26B 3/02; B26B 3/03;
B26B 3/04; B26B 3/06; B26B 5/00; B26B
5/001; B26B 5/007; B26B 7/00; B26B 7/005;
B26B 9/00; B26B 9/02; B26B 11/00; B26B
11/006; B26B 17/00; B26B 17/006; B67B
7/38
USPC D7/393-395, 401.2, 642-652, 693,
D7/695-696; D8/34, 93, 97-100, 107,
D8/300, 303, 321; D22/117-118; 30/136,
30/142, 147-149, 278, 329, 340-345,
30/408; 83/574; 452/129

See application file for complete search history.

(56) **References Cited**

U.S. PATENT DOCUMENTS

720,202	A	*	2/1903	White	30/408
D42,622	S	*	6/1912	Gafnowitz	D7/643
D162,777	S	*	4/1951	Berger et al.	D7/650
D173,124	S	*	9/1954	Niblack	D7/650
D180,306	S	*	5/1957	Wagner	D7/652
2,822,845	A	*	2/1958	Wiley	83/574
D189,885	S	*	3/1961	Gerson	D8/34
3,333,295	A	*	8/1967	Spets	452/129
3,805,386	A	*	4/1974	de Mestral	30/278
D296,577	S	*	7/1988	Schandua	D22/118
D306,675	S	*	3/1990	Stiggers	D7/695
D461,998	S	*	8/2002	Sylva et al.	D7/650
D643,264	S	*	8/2011	Spiegel	D7/650

* cited by examiner

Primary Examiner — Ricky Pham

(74) *Attorney, Agent, or Firm* — Millen, White, Zelano & Branigan, P.C.

(57) **CLAIM**

The ornamental design for a duo carve, as shown and described.

DESCRIPTION

FIG. 1 is a perspective view of the duo carve showing my new design.

FIG. 2 is a front view thereof.

FIG. 3 is back view thereof.

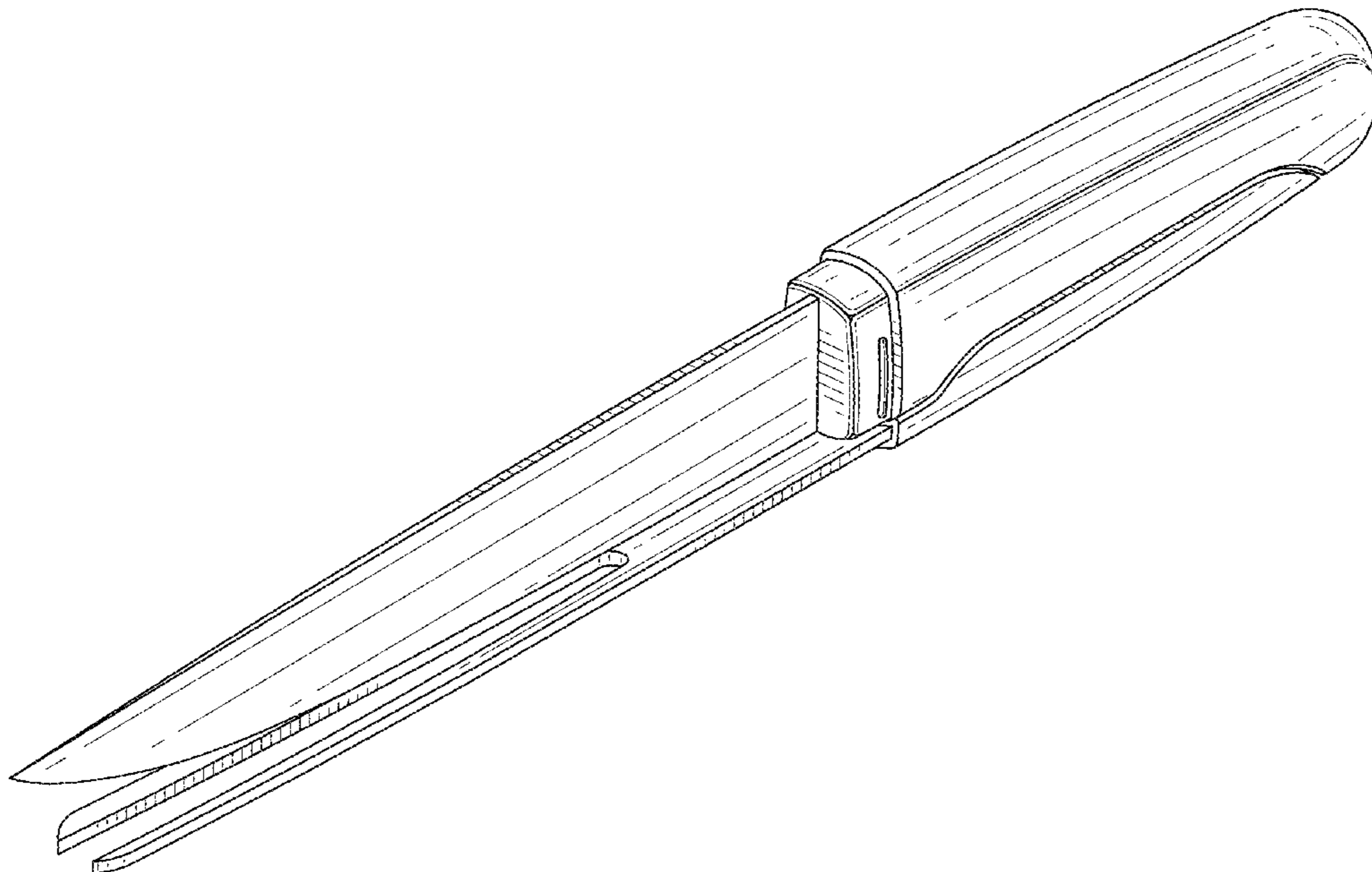
FIG. 4 is a top view thereof.

FIG. 5 is bottom view thereof.

FIG. 6 is a side view thereof; and,

FIG. 7 is another side view thereof.

1 Claim, 4 Drawing Sheets



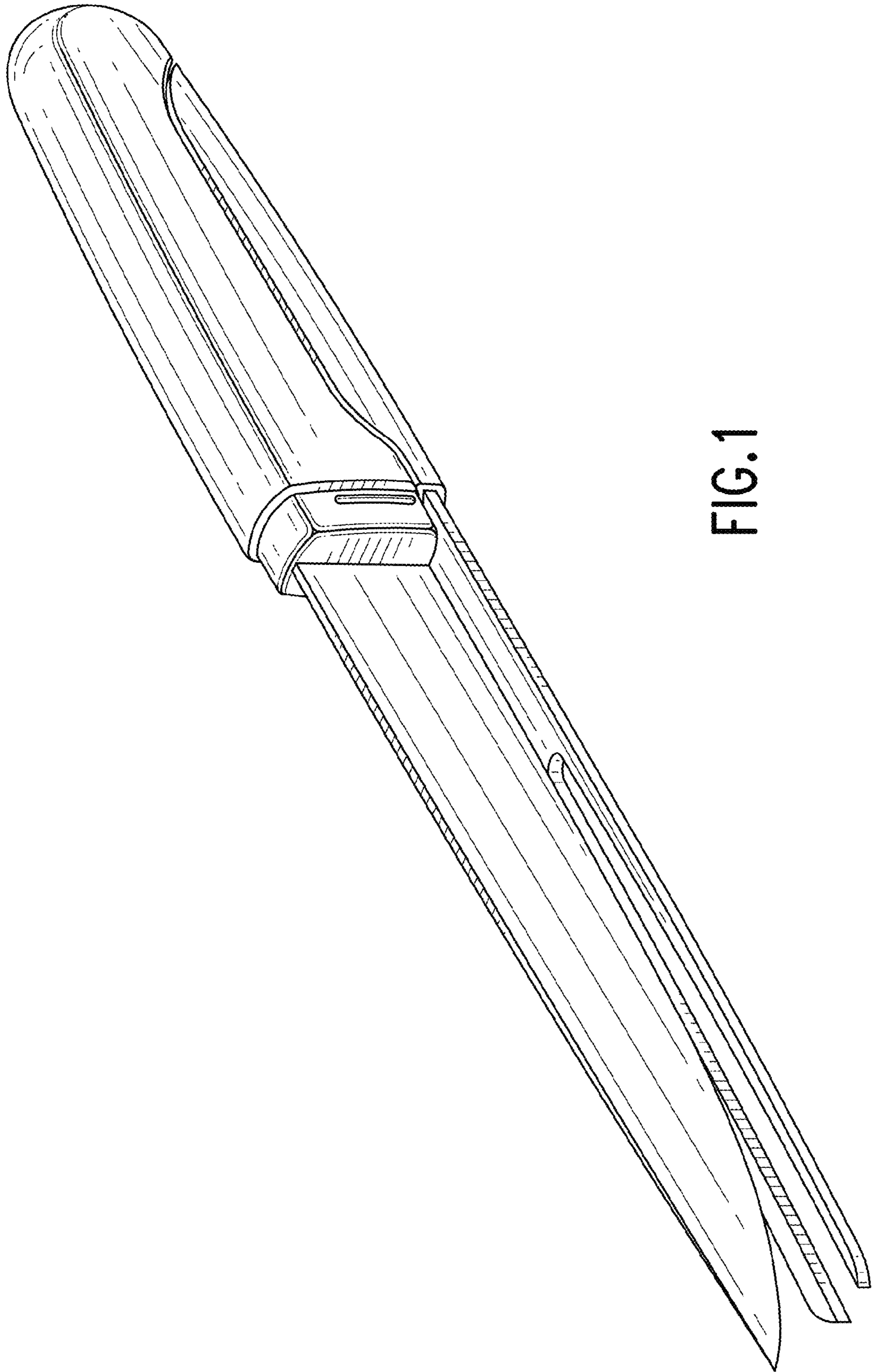


FIG.1

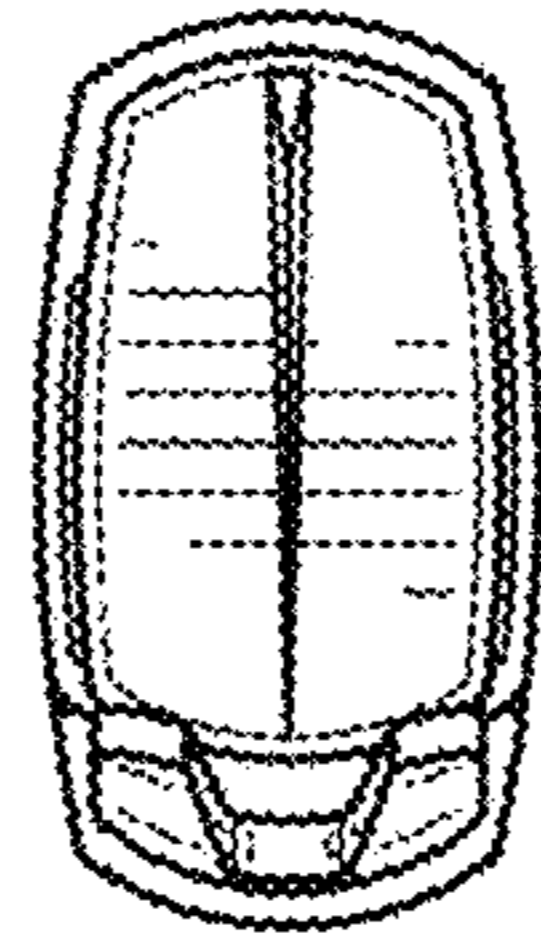


FIG. 2

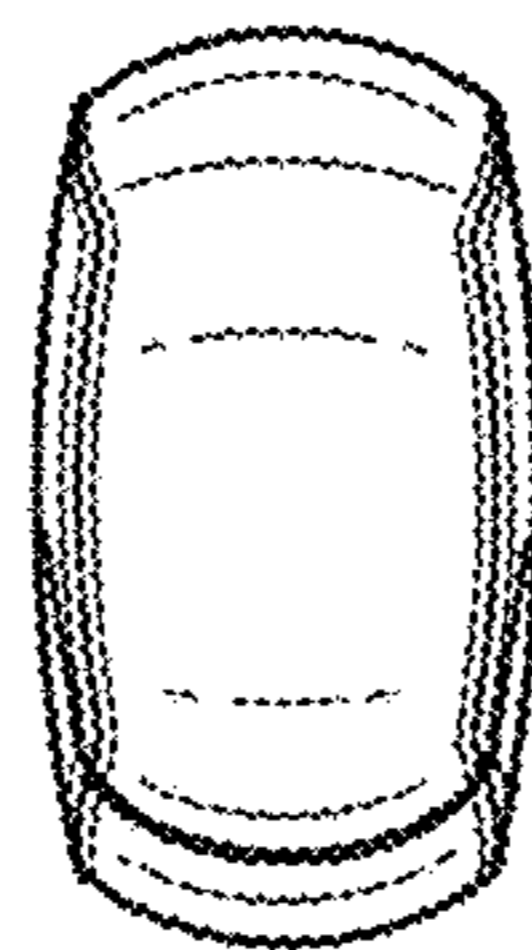


FIG. 3

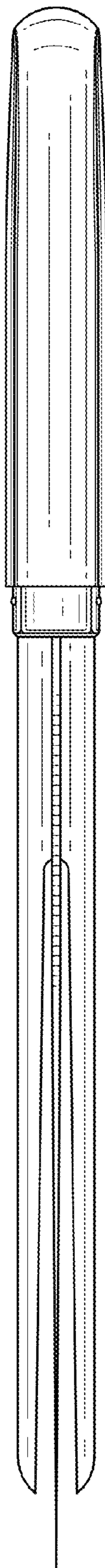


FIG. 4

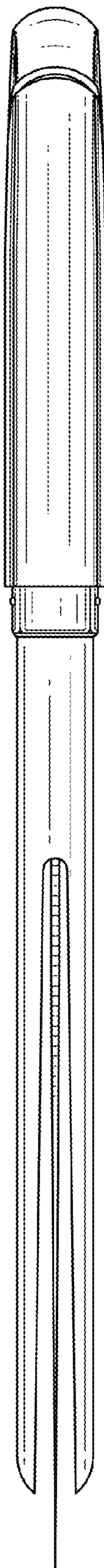


FIG. 5

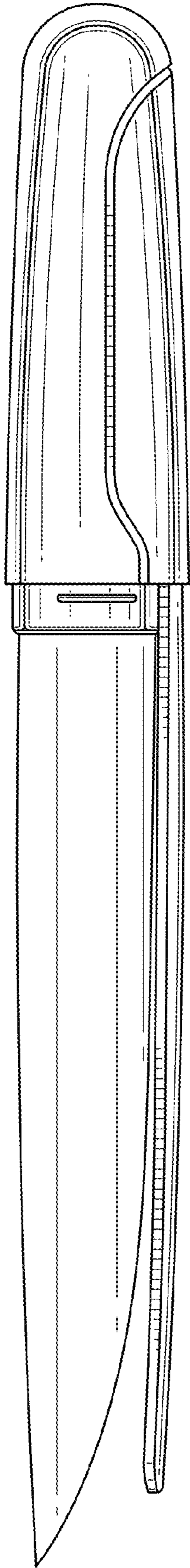


FIG. 6

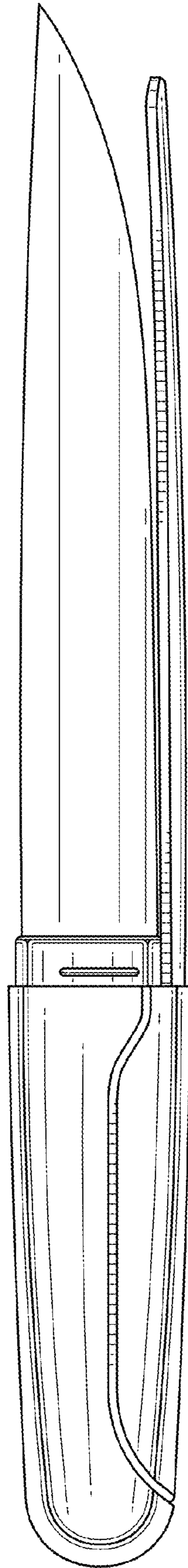


FIG. 7