



(12) **United States Design Patent**
Goodman et al.

(10) **Patent No.:** **US D720,575 S**
(45) **Date of Patent:** **** Jan. 6, 2015**

(54) **CONDIMENT CADDY**

(71) Applicant: **Spectrum Diversified Designs, Inc.**,
Streetsboro, OH (US)

(72) Inventors: **Sheldon H. Goodman**, Solon, OH (US);
Phaysouk Xayoiphonh, Akron, OH
(US); **Jennifer Case**, Middleburg
Heights, OH (US)

(73) Assignee: **Spectrum Diversified Designs, Inc.**,
Streetsboro, OH (US)

(**) Term: **14 Years**

(21) Appl. No.: **29/447,181**

(22) Filed: **Mar. 1, 2013**

(51) **LOC (10) Cl.** **07-06**

(52) **U.S. Cl.**
USPC **D7/600**

(58) **Field of Classification Search**

CPC .. B65D 71/0003; B65D 71/0011; B65D 7/20;
B65D 7/26; A47K 5/00; A47K 5/02; A47K
5/03; A47K 5/04; A47K 10/00; A47K 10/02;
A47K 10/16; A47K 2005/00; A47K 3/281;
A47G 21/14; A47G 21/16; A47G 21/18;
A47G 21/145; A47G 21/167; A47G 21/181;
A47G 21/184; A47G 23/00; A47G 23/02;
A47G 23/03; A47G 23/06; A47G 23/0208;
A47G 23/0241; A47G 23/0258; A47G
23/0266; A47G 23/025; A47G 23/0316;
A47G 23/0616; A47G 23/0625; A47G
23/0641; A47J 47/00; A47J 47/01; A47J
47/16; A47J 47/20; A47J 47/14
USPC D7/600, 590, 591, 592, 600.1–600.4,
D7/601, 602, 500, 505, 550.1, 553.2,
D7/553.3, 554.3, 631–634, 704, 596, 701,
D7/702, 637, 638, 641; D6/315, 512, 513,
D6/514, 515, 524, 525, 567, 574, 675.2,
D6/675.5, 676.5, 677.5, 678.4, 680.3,
D6/677.2, 526, 527, 534, 535, 537, 542,
D6/552, 329, 519, 528; D19/90, 86, 75,
D19/84, 85, 92, 95; D3/20, 26, 210, 229,

D3/257, 258, 328, 304, 306; D32/55, 65,
D32/53; 220/485, 486, 488, 491, 495;
211/41.1–41.4, 11, 133.5, 85.4, 69.1,
211/70.7, 85.31, 126.1, 126.2, 126.3, 126.7,
211/126.8, 126.9, 71.01, 74; 206/513, 202,
206/174, 171

See application file for complete search history.

(56) **References Cited**

U.S. PATENT DOCUMENTS

313,129 A * 3/1885 Tipney 220/486
1,283,389 A * 10/1918 Wills et al. 220/6

(Continued)

OTHER PUBLICATIONS

Condiment Caddy Mesh Silver—Amazon, [online], reviewed on
Apr. 28, 2011, retrieved on Aug. 20, 2014. Retrieved from, <URL:
[http://www.amazon.com/Design-Ideas-Condiment-Caddy-Silver/
product-reviews/B000V9IXNG/ref=cm_cr_pr_btm_link_next_
2?ie=UTF8& . . .](http://www.amazon.com/Design-Ideas-Condiment-Caddy-Silver/product-reviews/B000V9IXNG/ref=cm_cr_pr_btm_link_next_2?ie=UTF8&...)>, 1 page.*

(Continued)

Primary Examiner — Ian Simmons

Assistant Examiner — Shannon Morgan

(74) *Attorney, Agent, or Firm* — Benesch Friedlander
Coplan & Aronoff LLP

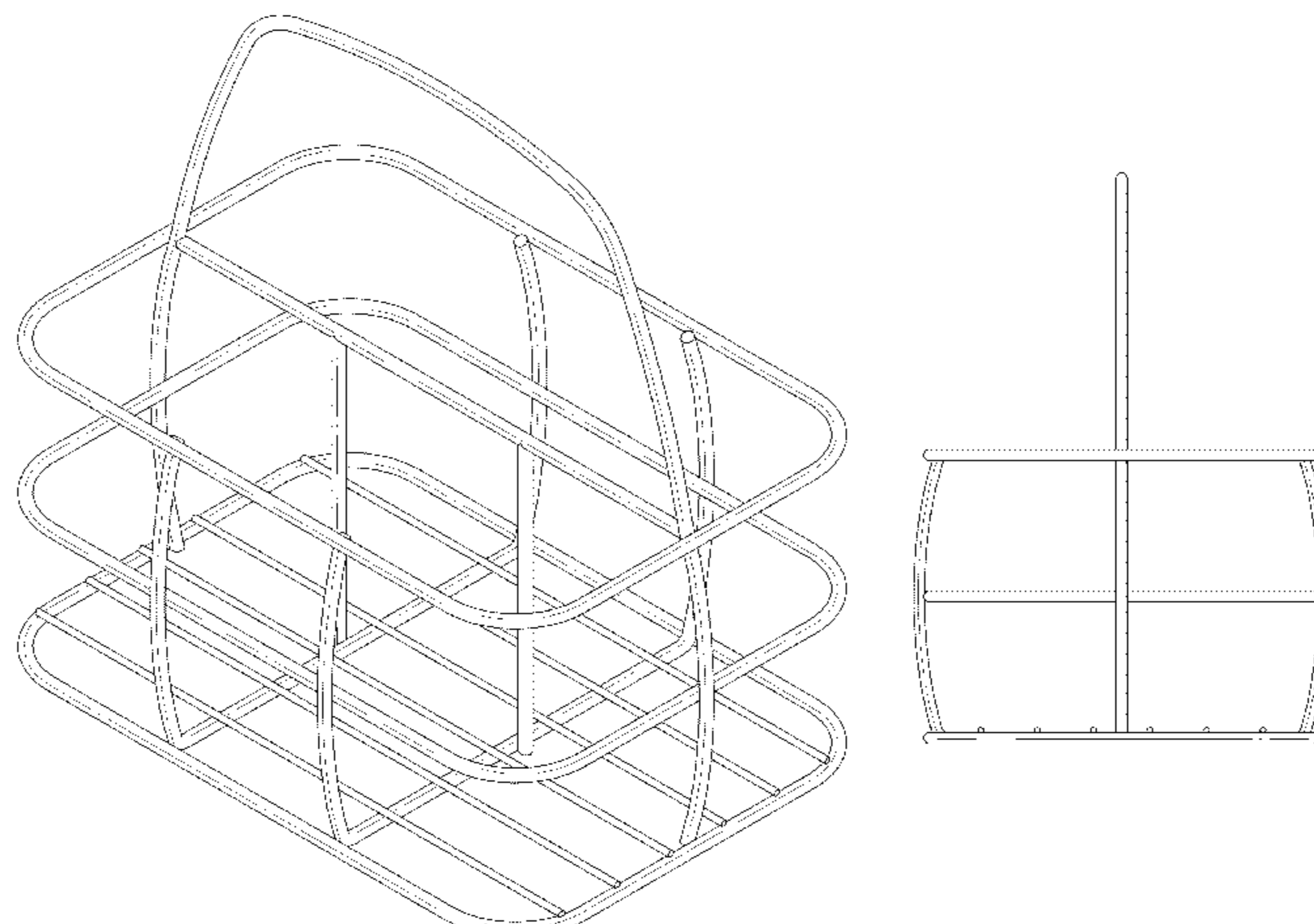
(57) **CLAIM**

The ornamental design for a condiment caddy, as shown and
described.

DESCRIPTION

FIG. 1 is a top, front perspective view of a condiment caddy
showing our new design;
FIG. 2 is a front elevational view thereof;
FIG. 3 is a side elevational view thereof;
FIG. 4 is a top plan view thereof; and,
FIG. 5 is a bottom plan view thereof.

1 Claim, 3 Drawing Sheets



(56)

References Cited

U.S. PATENT DOCUMENTS

1,421,705 A * 7/1922 Melish 220/7
 1,559,695 A * 11/1925 Hatch 206/202
 2,293,646 A * 8/1942 Haas et al. 220/6
 2,314,143 A * 3/1943 Hendricks, Jr. et al. 206/163
 2,333,954 A * 11/1943 Rocker et al. 206/435
 2,353,846 A * 7/1944 Power 220/6
 2,396,003 A * 3/1946 Goldman 220/511
 2,398,166 A * 4/1946 Struensee 220/6
 2,404,699 A * 7/1946 Edgerton 206/174
 2,419,413 A * 4/1947 McCalla 206/142
 2,420,603 A * 5/1947 Lee 206/171
 2,467,696 A * 4/1949 Powell 206/202
 2,599,787 A * 6/1952 Schmidt 206/202
 2,616,601 A * 11/1952 Schwarz 206/202
 2,689,072 A * 9/1954 Dechar 206/171
 2,697,540 A * 12/1954 Malliaris 206/202

2,784,870 A * 3/1957 Jones 206/174
 2,809,767 A * 10/1957 Michalsky 206/174
 2,896,815 A * 7/1959 Longan 206/202
 2,916,185 A * 12/1959 Skulavik 206/174
 2,967,641 A * 1/1961 Versack 206/174
 D202,665 S * 10/1965 Petrose et al. D3/309
 5,150,784 A * 9/1992 Sayad 206/202
 D341,463 S * 11/1993 Booth D3/306
 D343,712 S * 1/1994 Linder D6/513
 D393,387 S * 4/1998 Gregor et al. D6/513
 6,354,455 B1 * 3/2002 Chen 220/489
 D667,632 S * 9/2012 Goodman et al. D3/306

OTHER PUBLICATIONS

Gameday Tailgate Tips—Condiment Caddy, [online], published on Oct. 18, 2011, retrieved on Aug. 20, 2014. Retrieved from, <URL: <http://wenderly.com/2011/10/18/game-day-tailgate-tips/>>, 1 page.*

* cited by examiner

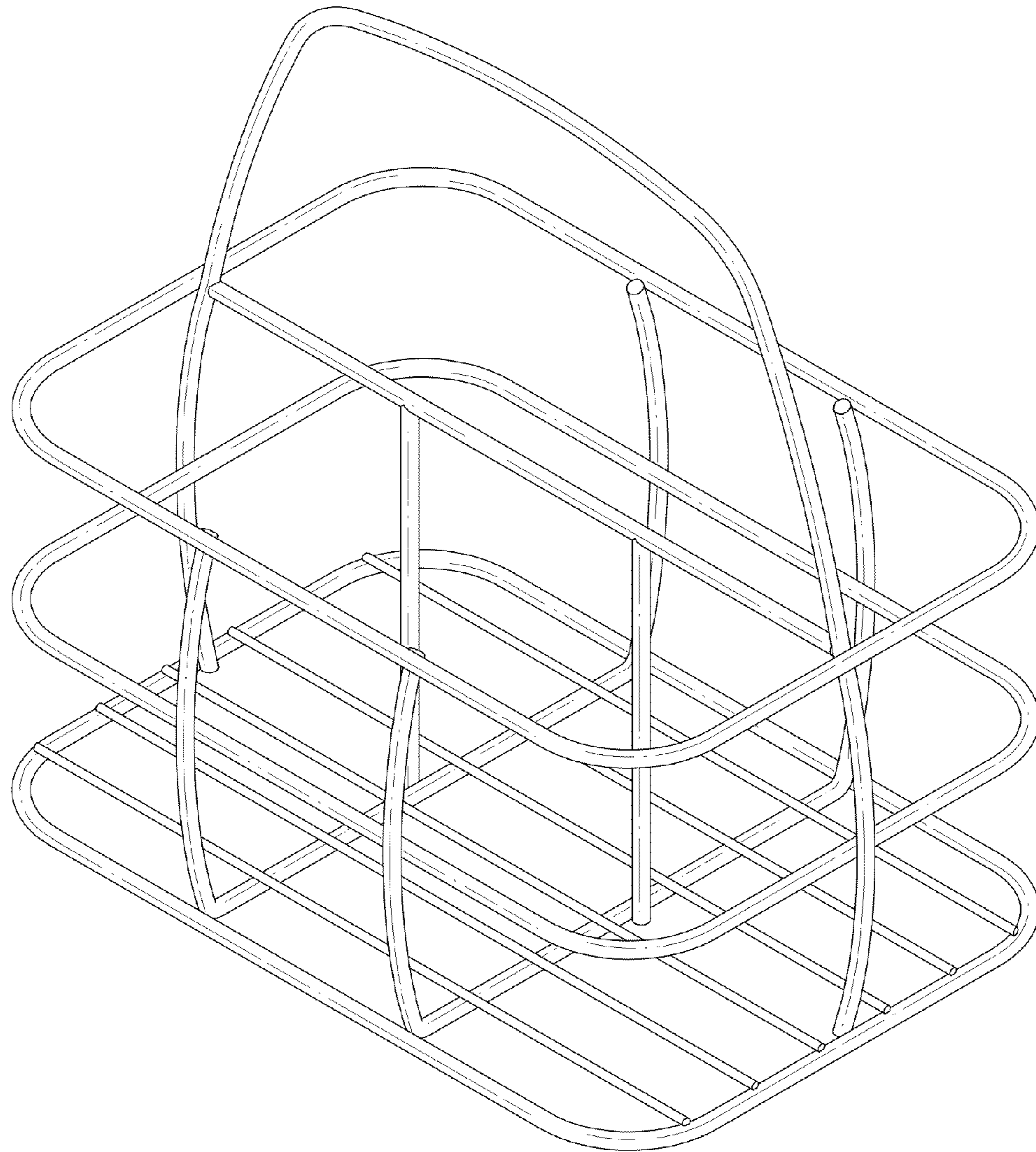


FIG. 1

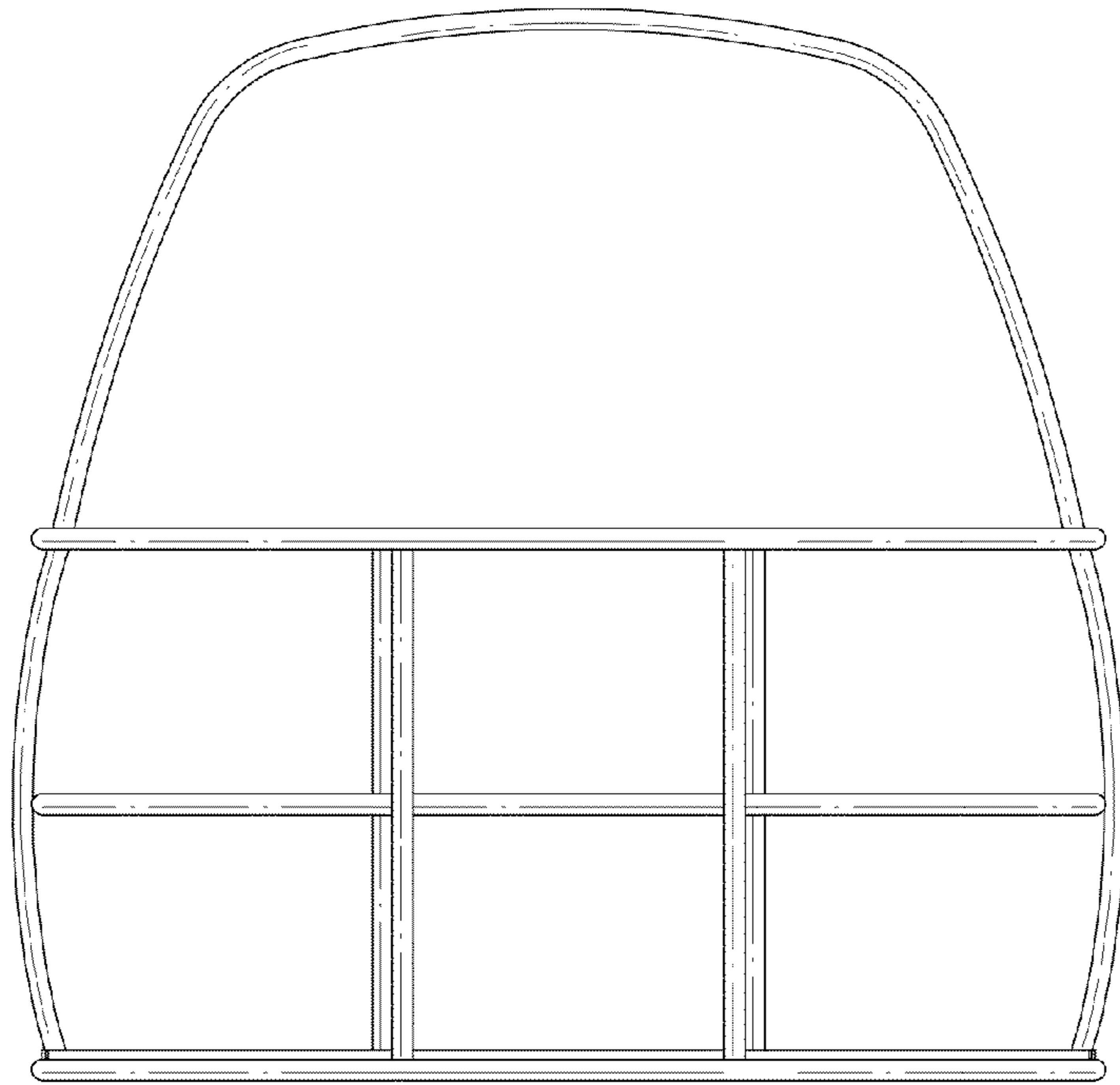


FIG. 2

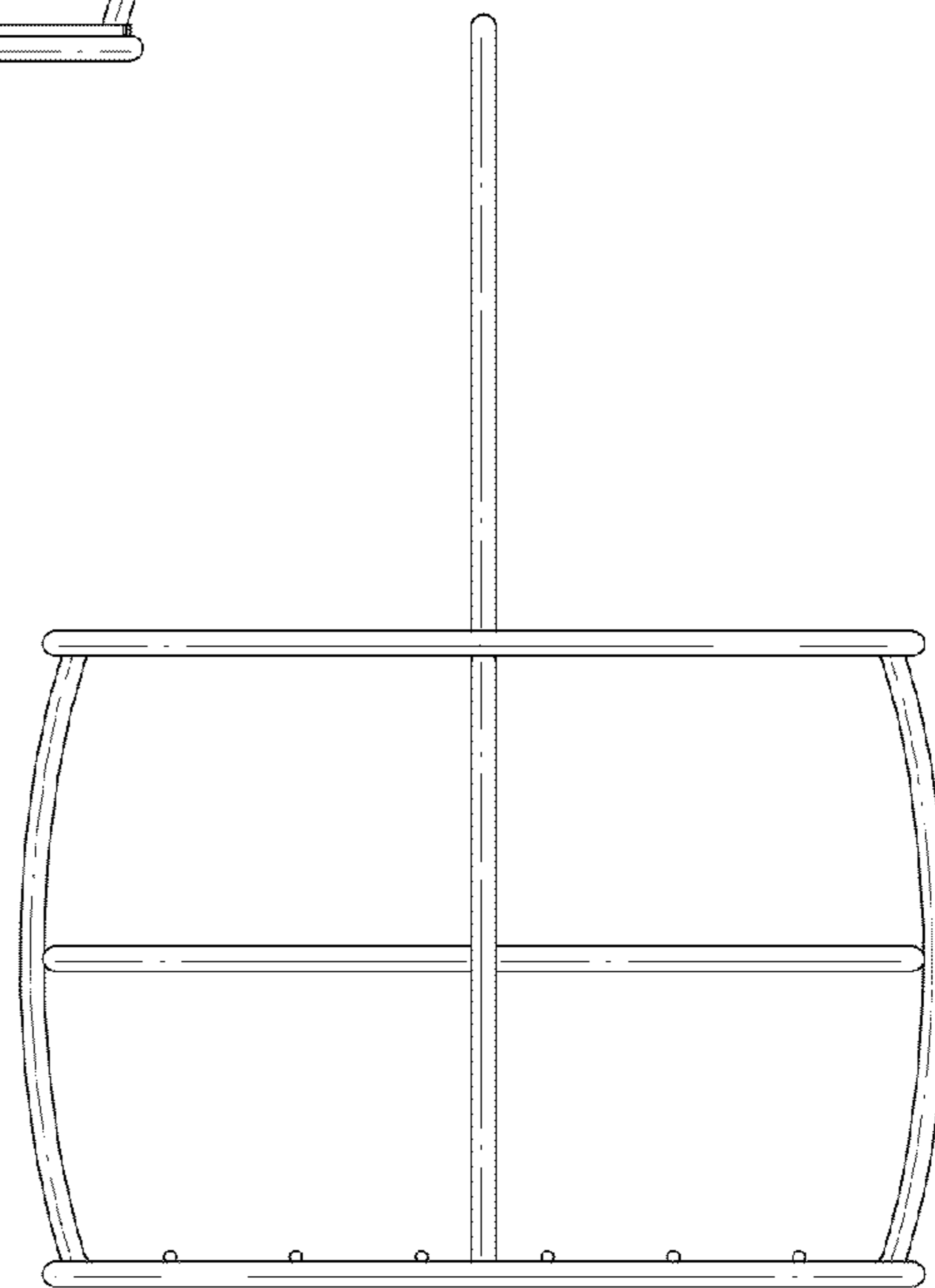


FIG. 3

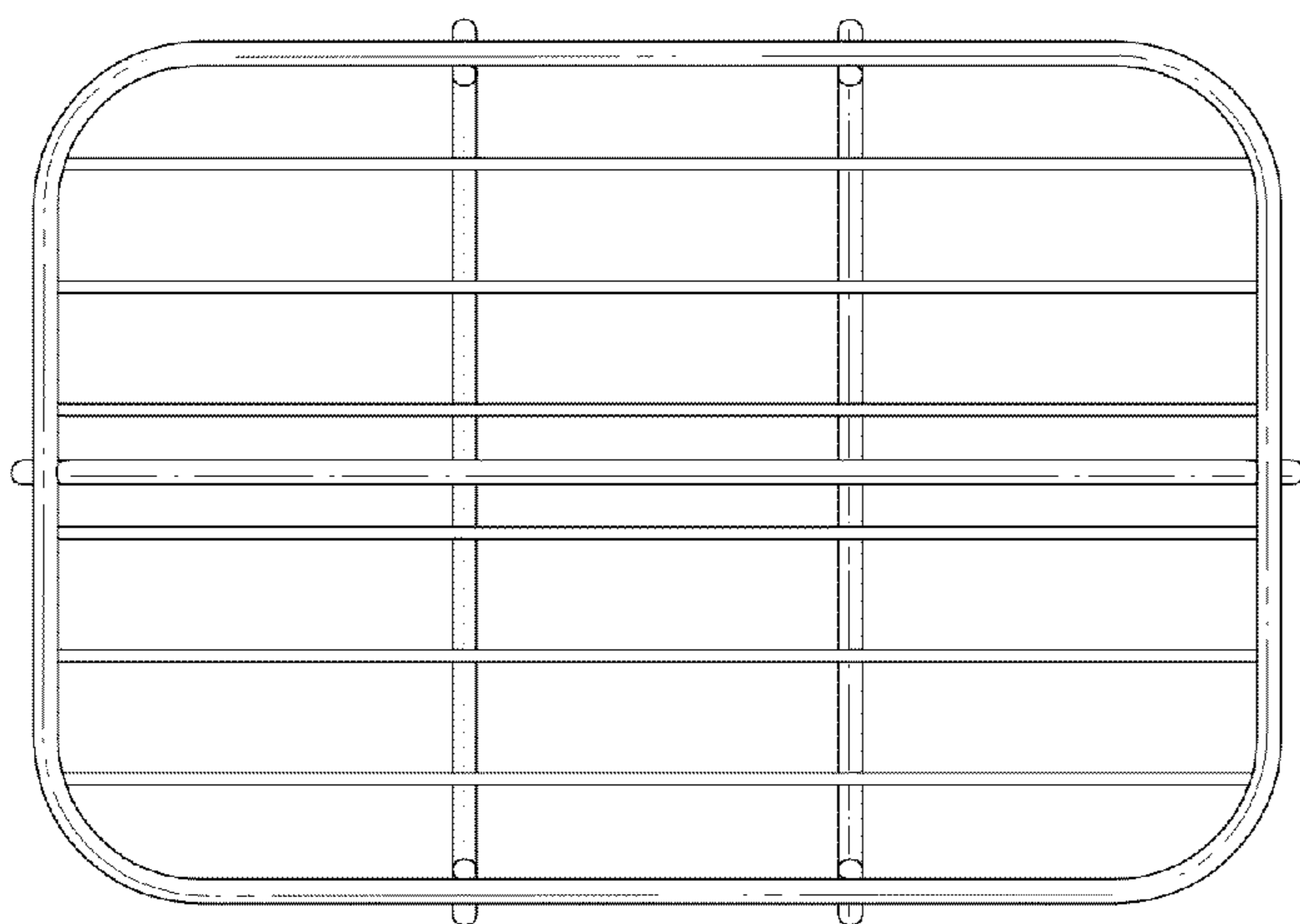


FIG. 4

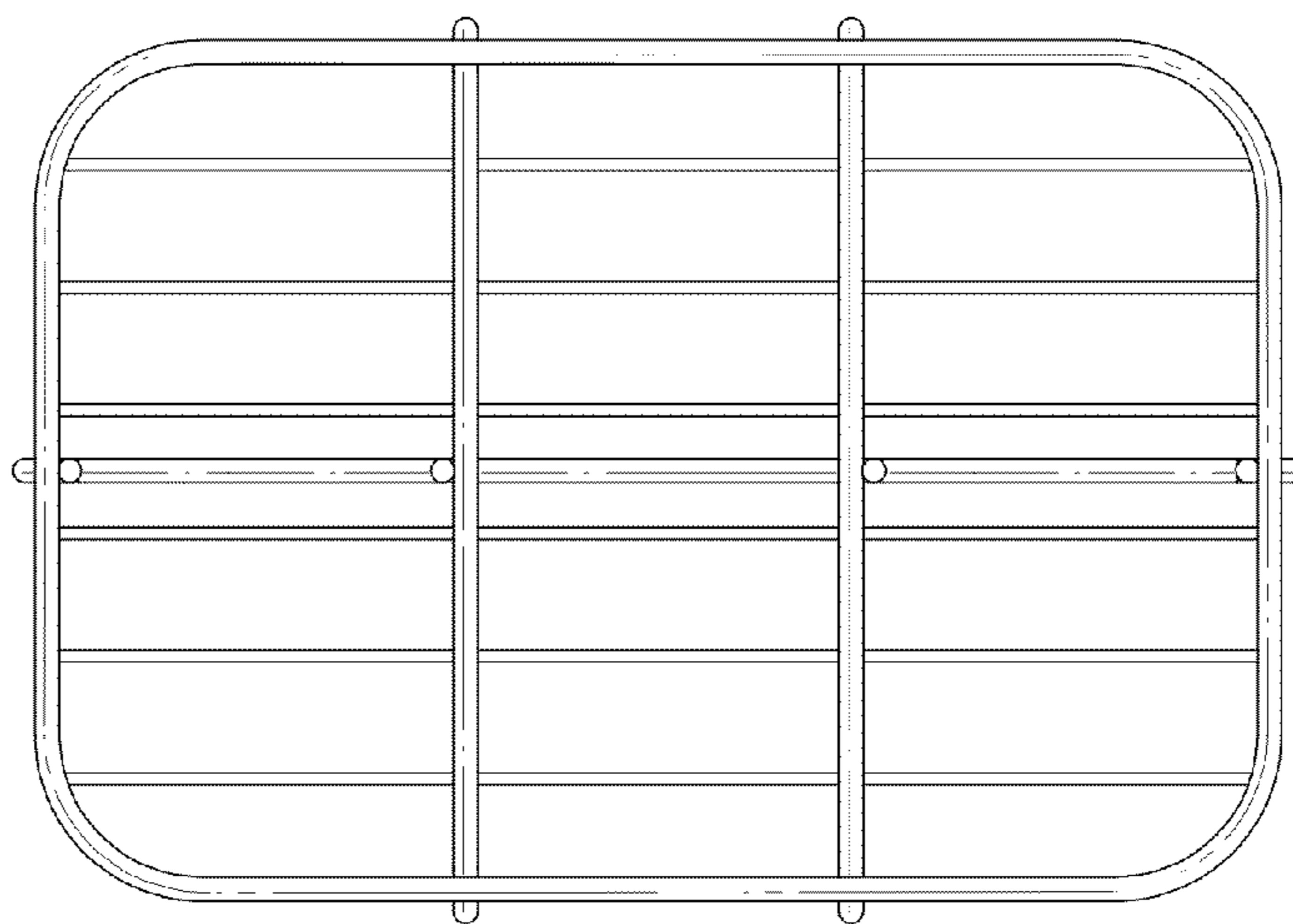


FIG. 5