



US00D720573S

(12) **United States Design Patent**
Pola et al.

(10) **Patent No.:** **US D720,573 S**
(45) **Date of Patent:** **** Jan. 6, 2015**

- (54) **ATTACHMENT FOR A SHOTGLASS**
- (71) Applicants: **Richard Pola**, Manhattan Beach, CA
(US); **Adrian Miranda**, Bellflower, CA
(US)
- (72) Inventors: **Richard Pola**, Manhattan Beach, CA
(US); **Adrian Miranda**, Bellflower, CA
(US)
- (**) Term: **14 Years**

8,061,545	B2 *	11/2011	Roth et al.	220/23.4
8,307,966	B2 *	11/2012	Cummins	220/751
8,443,996	B2 *	5/2013	Ciarrocchi, Jr.	220/23.4
D705,046	S *	5/2014	Ifko	D8/394
8,827,104	B2 *	9/2014	Hickox	220/23.83
2003/0146220	A1 *	8/2003	Kaura	220/751
2007/0205199	A1 *	9/2007	Wothers	220/506
2007/0241105	A1 *	10/2007	Nielsen	220/23.4
2009/0114649	A1 *	5/2009	Fraser et al.	220/23.83
2010/0187242	A1 *	7/2010	Lynch et al.	220/751
2012/0234845	A1 *	9/2012	Miller	220/751
2012/0261410	A1 *	10/2012	DuHaime	220/23.83
2014/0008362	A1 *	1/2014	Zuckerman et al.	220/23.83

- (21) Appl. No.: **29/451,877**
- (22) Filed: **Apr. 10, 2013**
- (51) **LOC (10) Cl.** **07-01**
- (52) **U.S. Cl.**
USPC **D7/396.2**
- (58) **Field of Classification Search**
USPC D7/396.2, 392-393, 396.3, 401.1, 620,
D7/600.1; 220/506, 23.4, 23.83, 751;
D9/455; D8/384, 394
See application file for complete search history.

OTHER PUBLICATIONS

Pola, et. al., U.S. Appl. No. 61/763,447, filed Feb. 11, 2013.

* cited by examiner

Primary Examiner — Susan Bennett Hattan

Assistant Examiner — Brett Miller

(74) *Attorney, Agent, or Firm* — Law Office of David Hong

(57) **CLAIM**

The ornamental design for an attachment for a shotglass, as shown and described.

(56) **References Cited**

U.S. PATENT DOCUMENTS

1,762,331	A *	6/1930	Greist	220/23.4
1,948,932	A *	2/1934	McMickle	220/23.83
D199,085	S *	9/1964	Eriksson	D8/384
D207,870	S *	6/1967	Laurini	D8/384
D373,930	S *	9/1996	Gruneisen, III	D7/396.2
D382,483	S *	8/1997	Flasch	D7/620
6,076,700	A *	6/2000	Manges	220/751
D479,129	S *	9/2003	Waugh	D9/455
D479,994	S *	9/2003	Cendejas	D9/432
D498,974	S *	11/2004	Hsieh	D7/396.2
D569,184	S *	5/2008	Dickinson	D7/520
D625,150	S *	10/2010	Ciarrocchi, Jr.	D7/600.1
D641,614	S *	7/2011	Pontaoe	D8/394

DESCRIPTION

FIG. 1 is a perspective view of my new design for an attachment for a shotglass;
 FIG. 2 is a first side elevational view thereof, the opposite side view being a mirror image;
 FIG. 3 is a third side elevational view thereof.
 FIG. 4 is a top view thereof; and,
 FIG. 5 is a bottom view thereof.
 The broken lines shown in the drawing views are included for the purpose of showing environmental structure that forms no part of the claimed design.

1 Claim, 2 Drawing Sheets

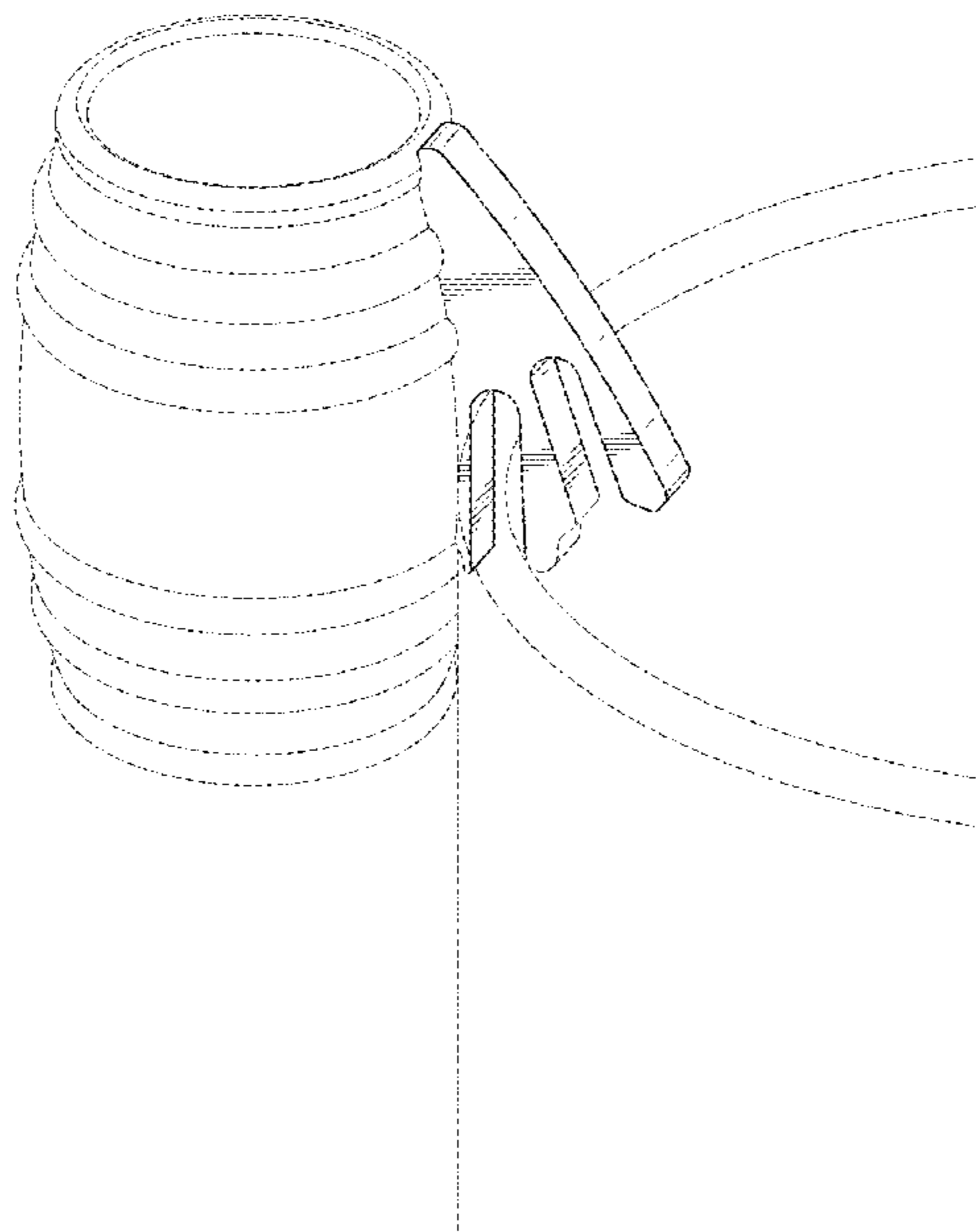
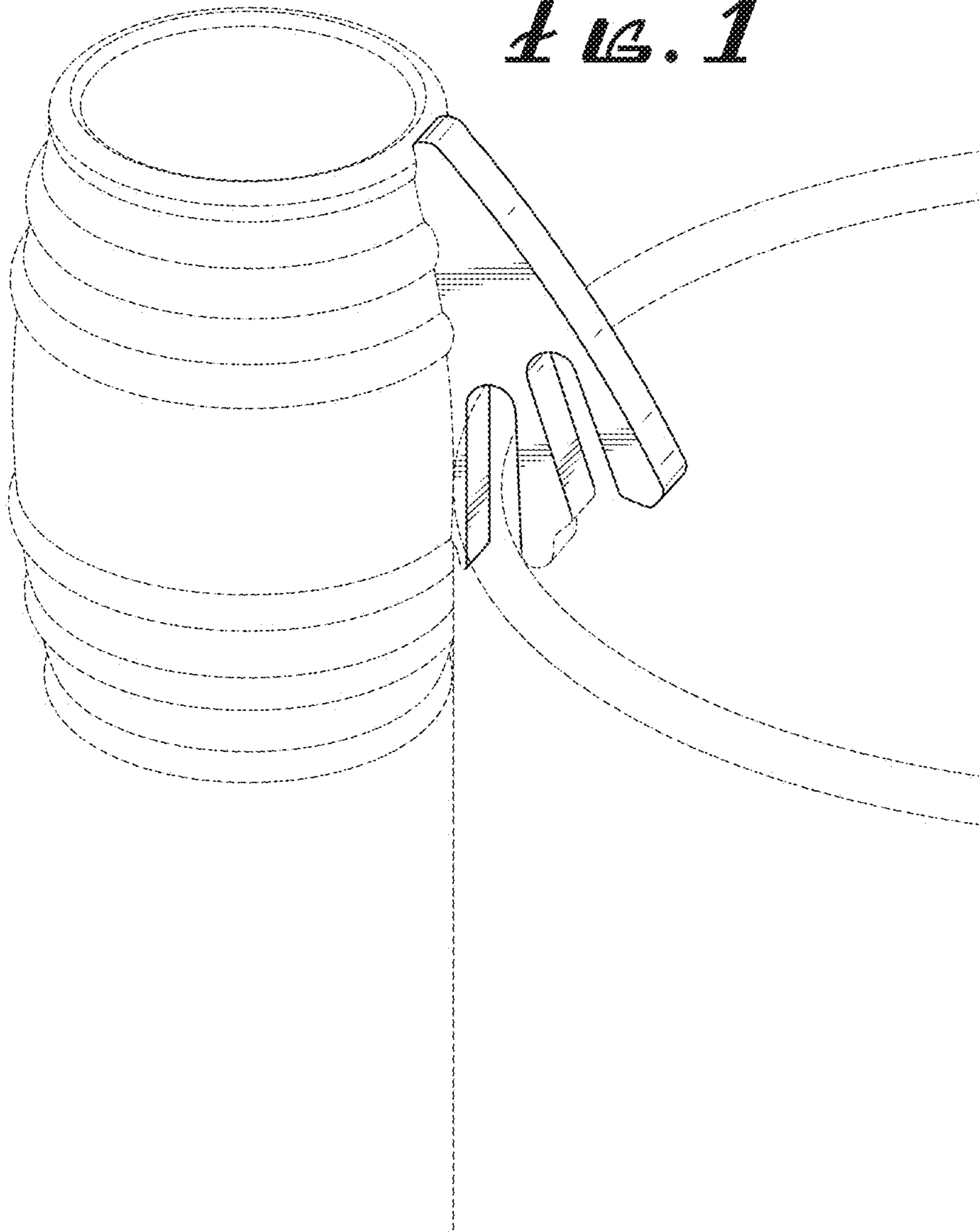


FIG. 1



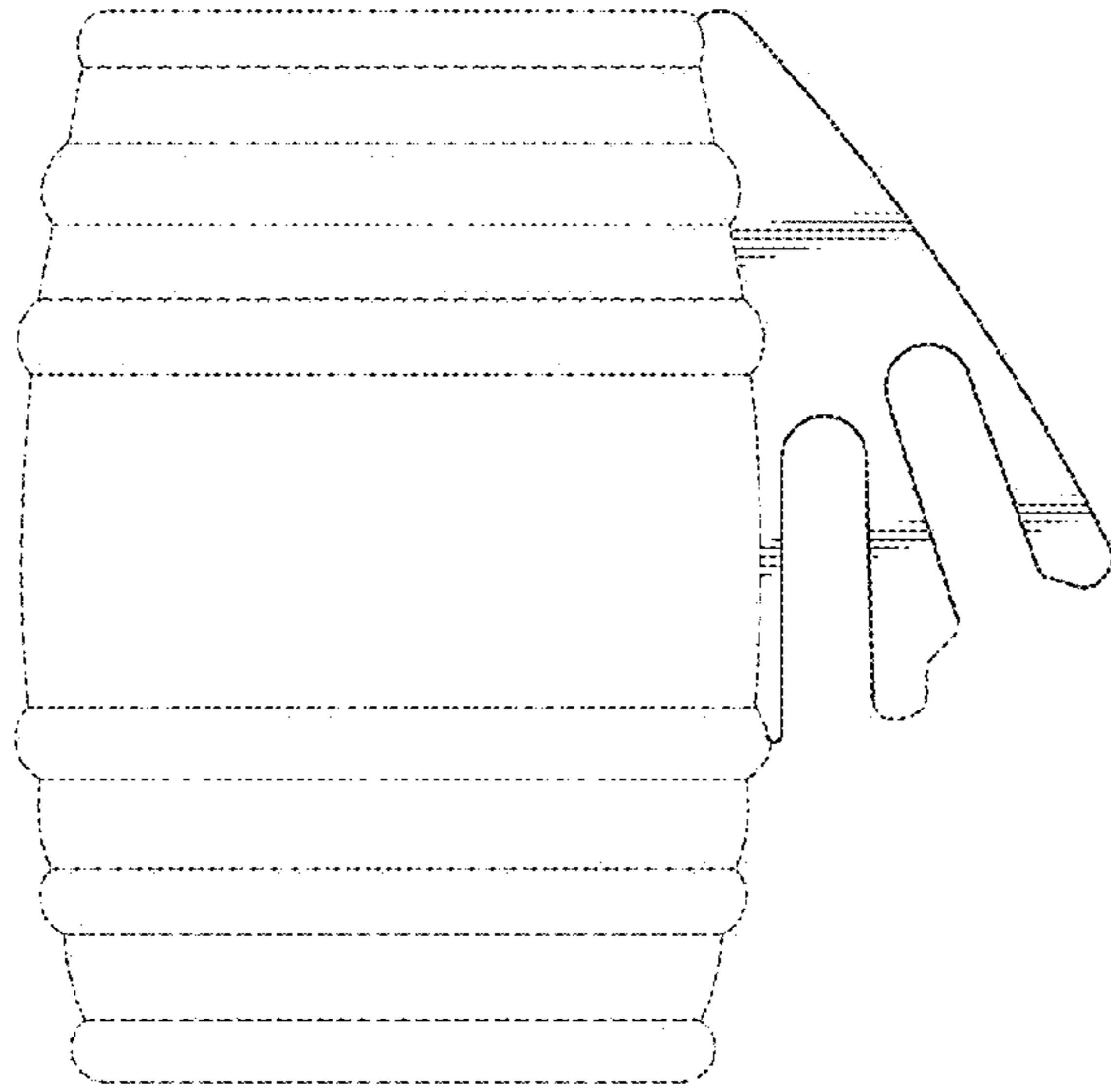


FIG. 2

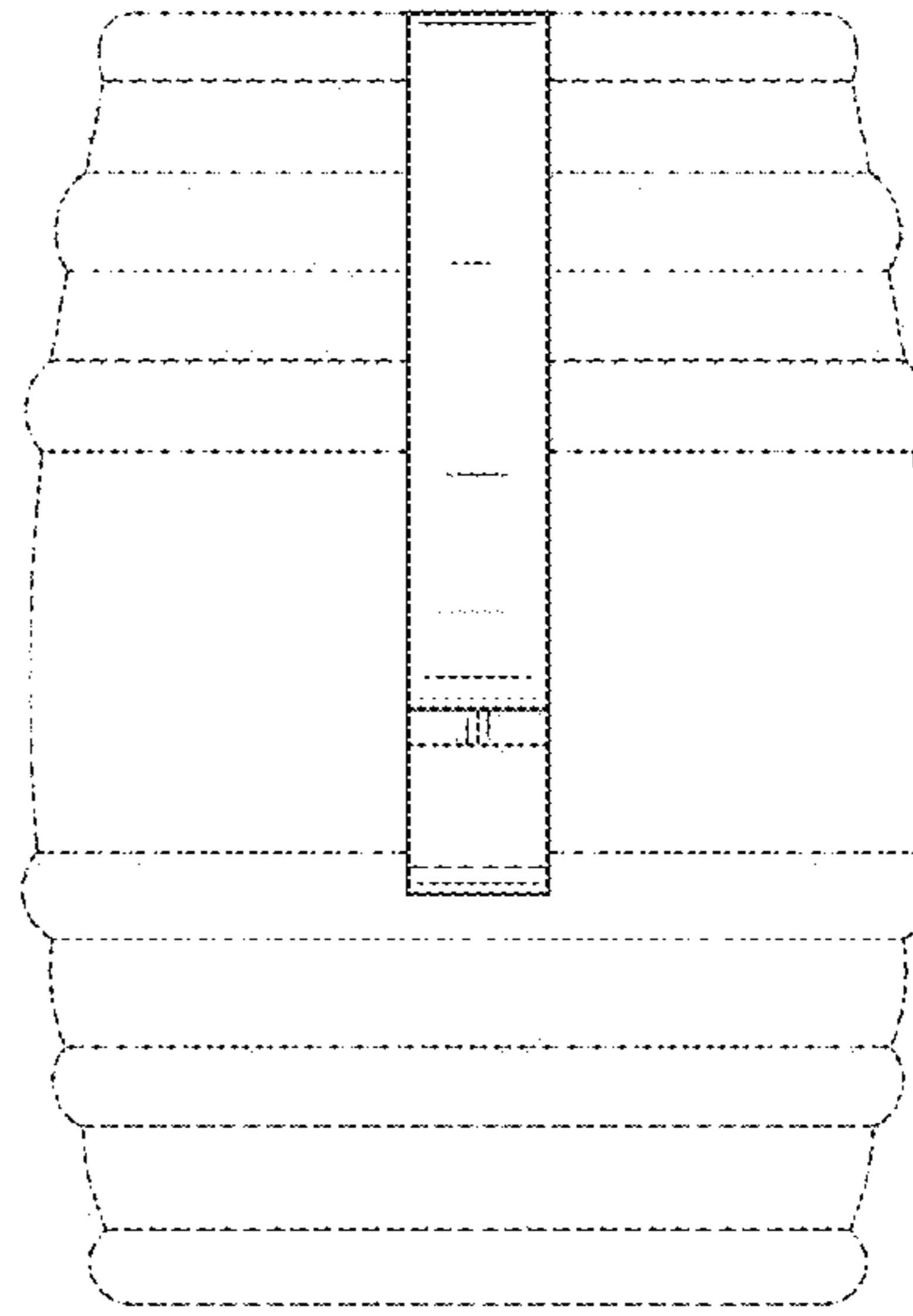


FIG. 3

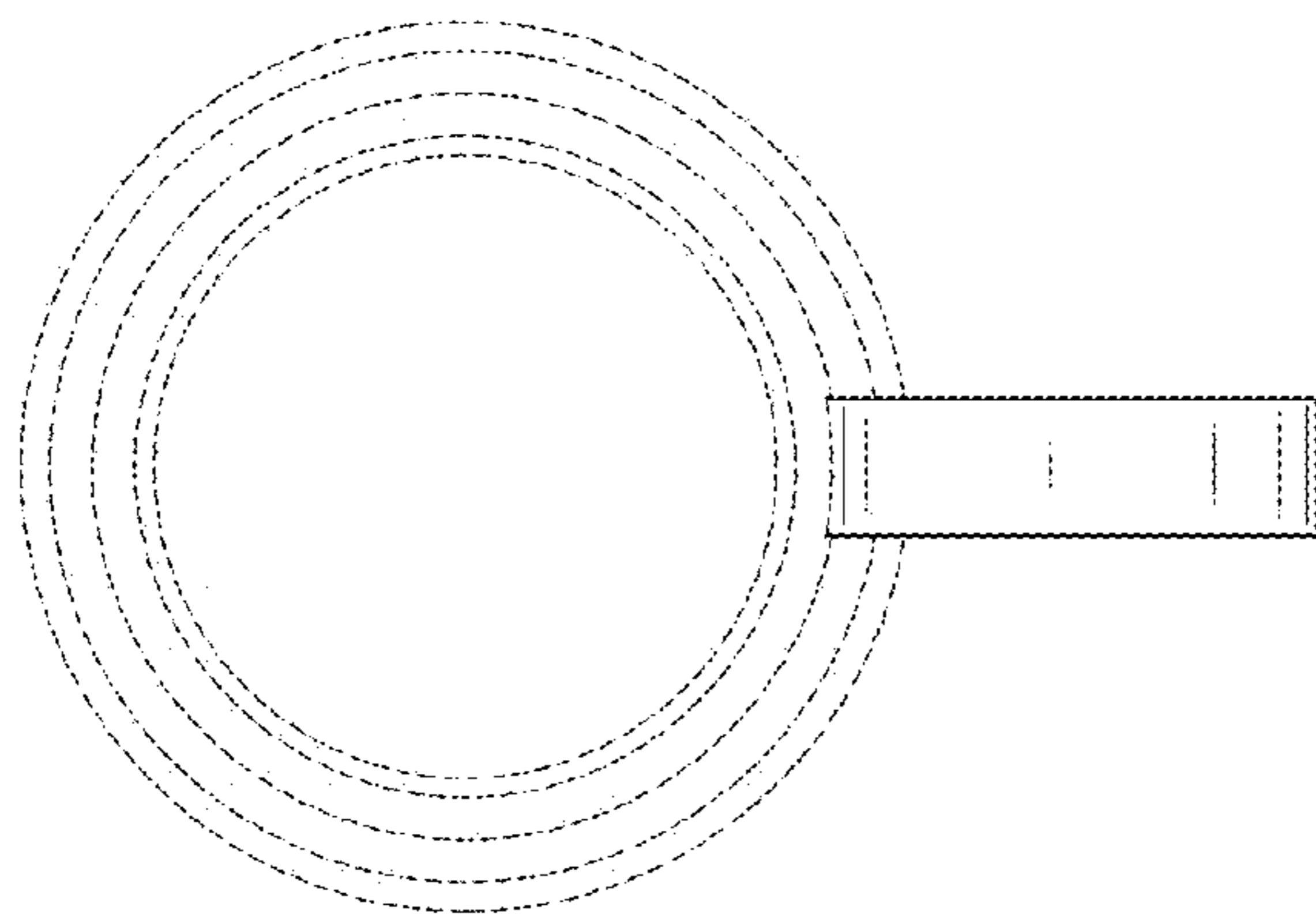


FIG. 4

FIG. 5

