



US00D720572S

(12) **United States Design Patent**
Dodane

(10) **Patent No.:** **US D720,572 S**
(45) **Date of Patent:** **** Jan. 6, 2015**

(54) **REMOVABLE HANDLE FOR COOKWARE**

(71) Applicant: **Paul Dodane**, Fesches le Chatel (FR)

(72) Inventor: **Paul Dodane**, Fesches le Chatel (FR)

(73) Assignee: **Cristel**, Fesches le Chatel (FR)

(**) Term: **14 Years**

(21) Appl. No.: **29/456,349**

(22) Filed: **May 30, 2013**

(30) **Foreign Application Priority Data**

Dec. 27, 2012 (EM) 001356026-0002

(51) **LOC (10) Cl.** **07-02**

(52) **U.S. Cl.**
USPC **D7/395**

(58) **Field of Classification Search**
USPC D7/354-361, 393-395; D4/138, 129;
16/430, 431, 110.1, 407;
220/573.1-573.5, 752, 753, 755, 756,
220/759, 771, 912; 294/34
See application file for complete search history.

(56) **References Cited**

U.S. PATENT DOCUMENTS

D200,489 S * 3/1965 Munson et al. D7/395
D384,243 S * 9/1997 Nicollet D7/395

6,250,493 B1 * 6/2001 Kwan 220/759
D498,117 S * 11/2004 Lorthioir D7/395
D584,104 S * 1/2009 Munari D7/393
7,478,735 B2 * 1/2009 Lorthioir et al. 220/759
7,481,330 B2 * 1/2009 Lorthioir et al. 220/759
D613,992 S * 4/2010 Seo D7/395
7,883,129 B2 * 2/2011 Jung et al. 294/34
8,235,245 B2 * 8/2012 Lorthioir 220/759
8,365,948 B2 * 2/2013 Lorthioir 220/759
8,402,610 B2 * 3/2013 Boes 16/425
D686,451 S * 7/2013 Hasuike D7/395
D702,491 S * 4/2014 Lo D7/395

* cited by examiner

Primary Examiner — Cynthia M Chin

(74) *Attorney, Agent, or Firm* — Egbert Law Offices, PLLC

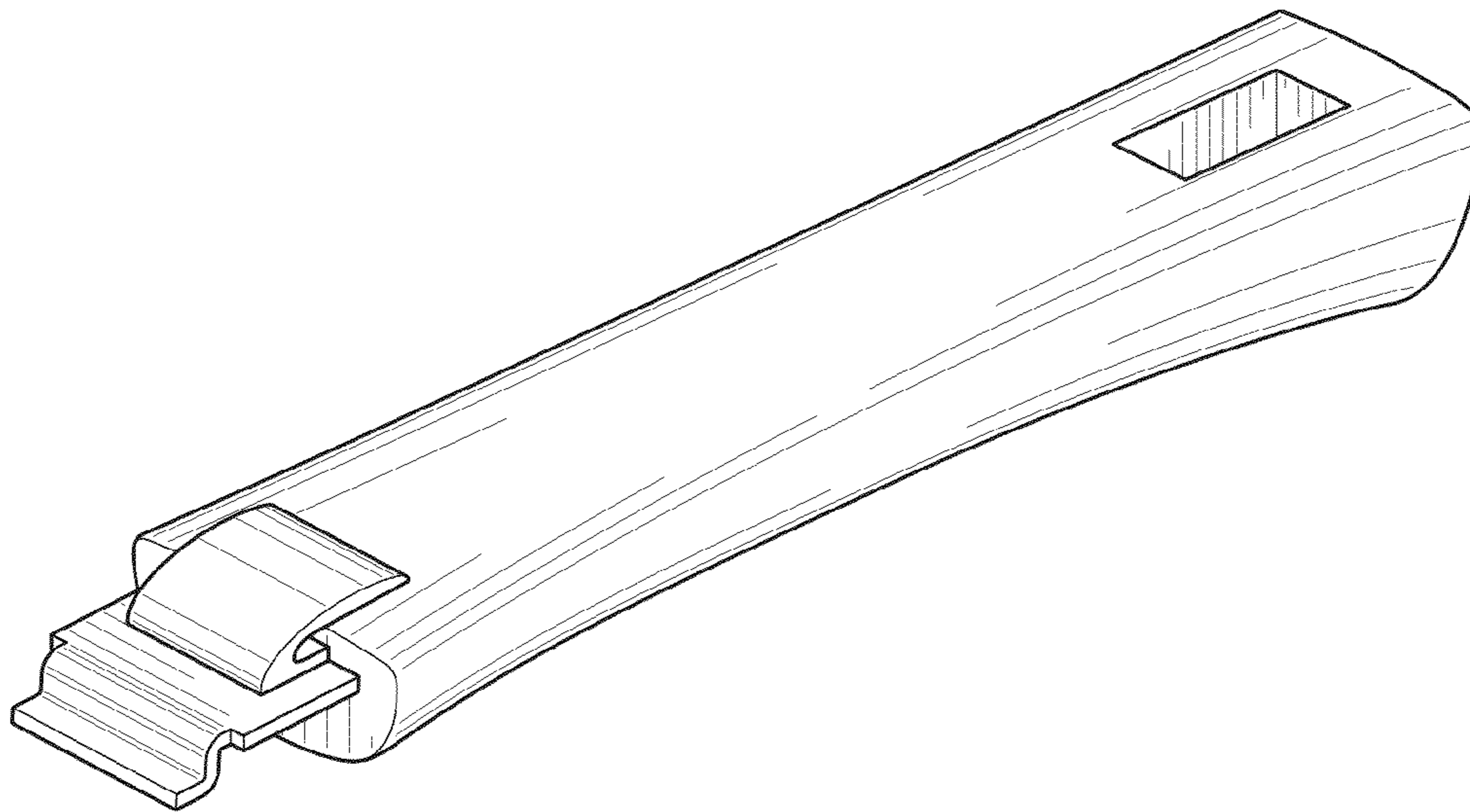
(57) **CLAIM**

The ornamental design for a removable handle for cookware, as shown and described.

DESCRIPTION

FIG. 1 is an upper perspective view of the removable handle for cookware showing my new design.
FIG. 2 is a top plan view thereof;
FIG. 3 is a bottom plan view thereof;
FIG. 4 is a side view thereof;
FIG. 5 is an opposite side view thereof;
FIG. 6 is front elevation view thereof; and,
FIG. 7 is a rear elevation view thereof.
The features shown in broken lines form no part of the claimed design.

1 Claim, 2 Drawing Sheets



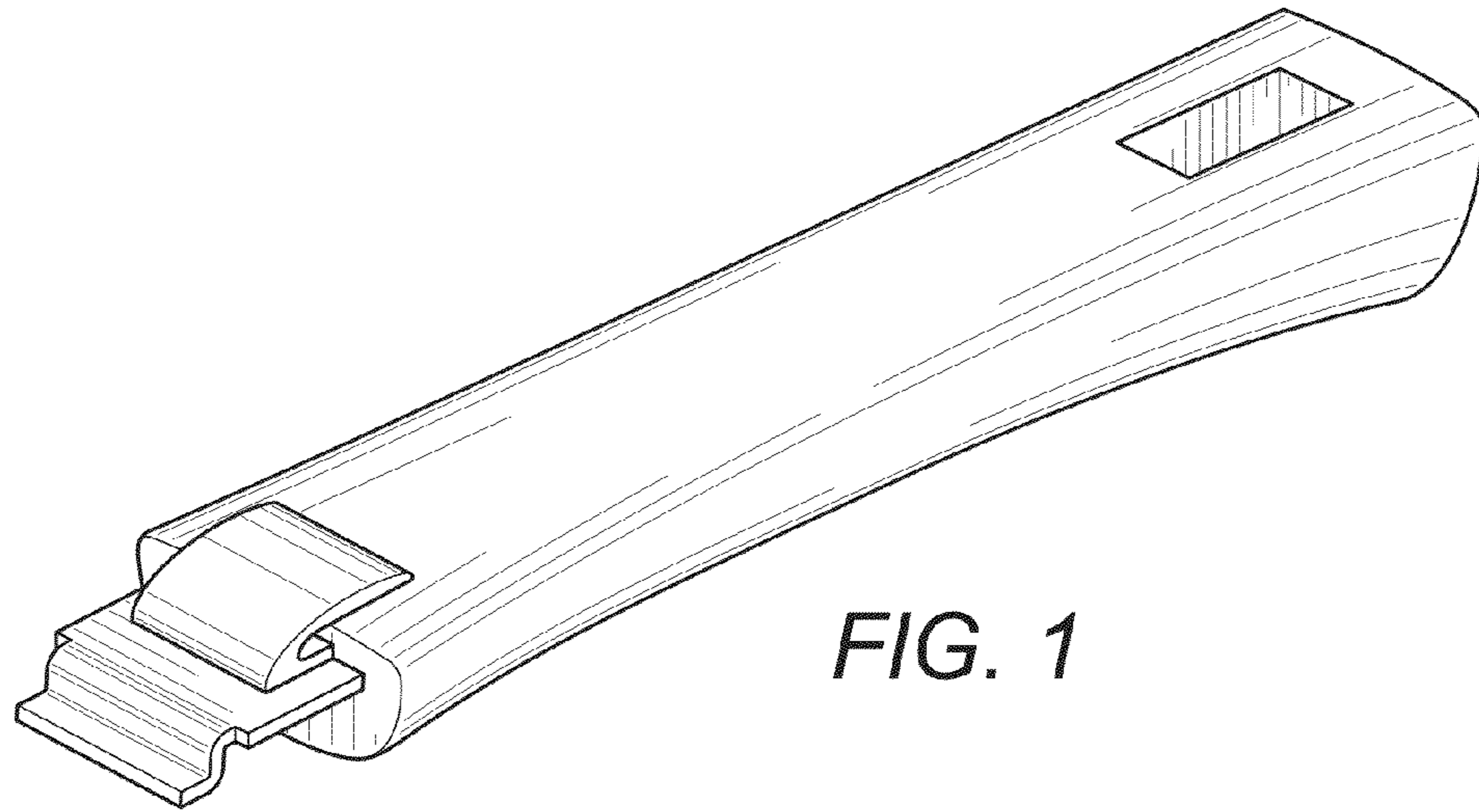


FIG. 1

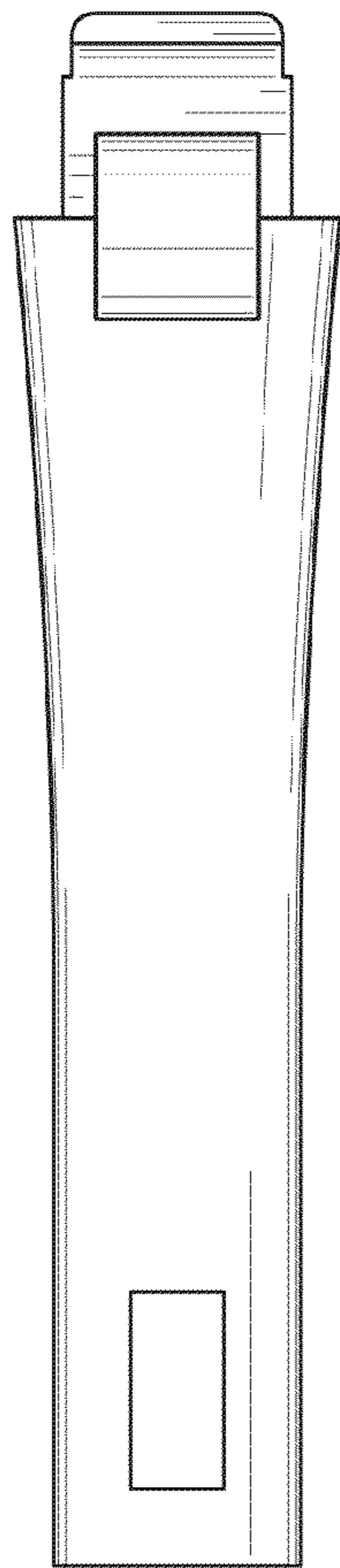


FIG. 2

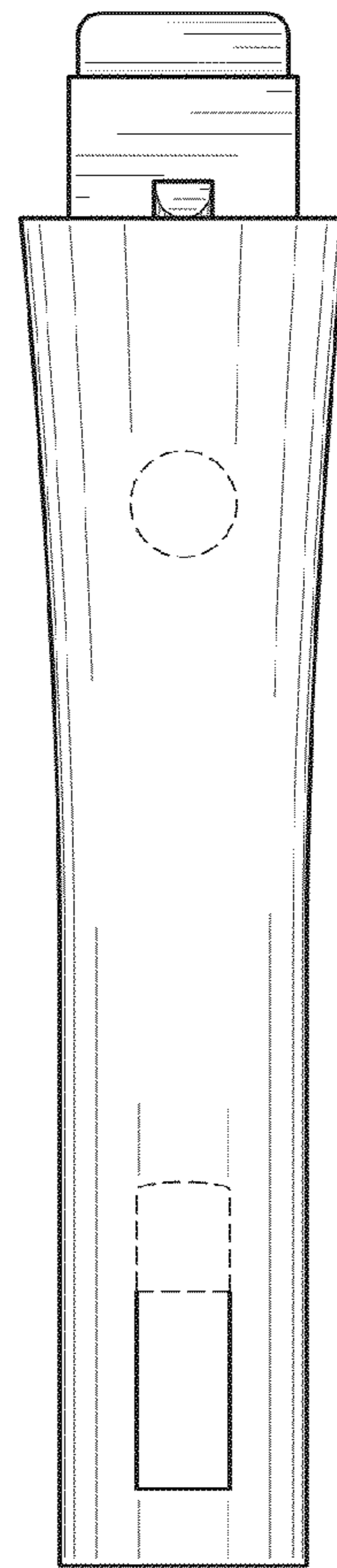


FIG. 3



FIG. 4

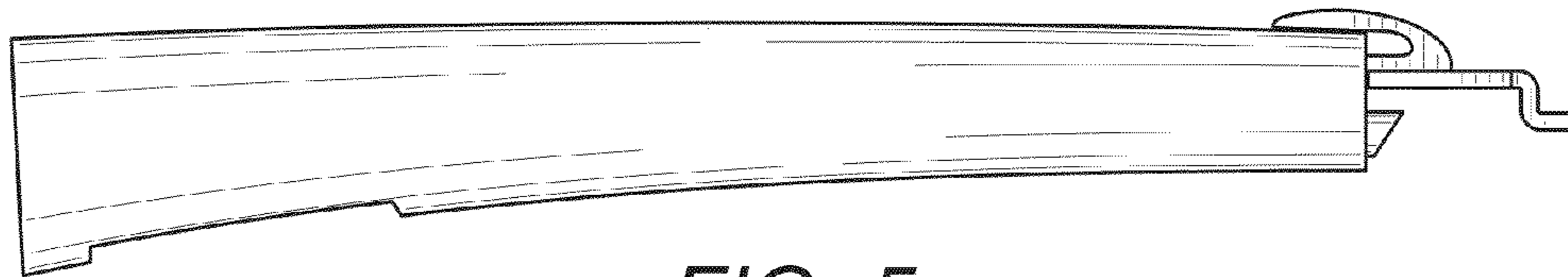


FIG. 5

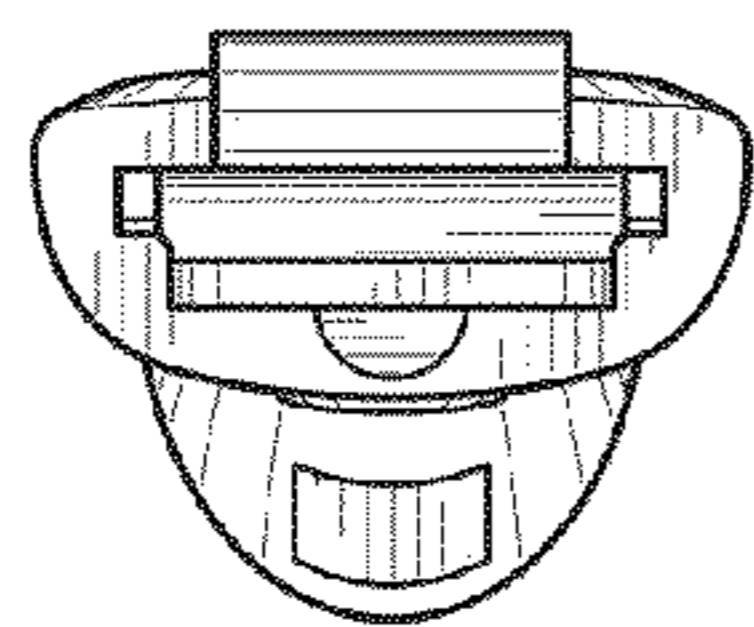


FIG. 6

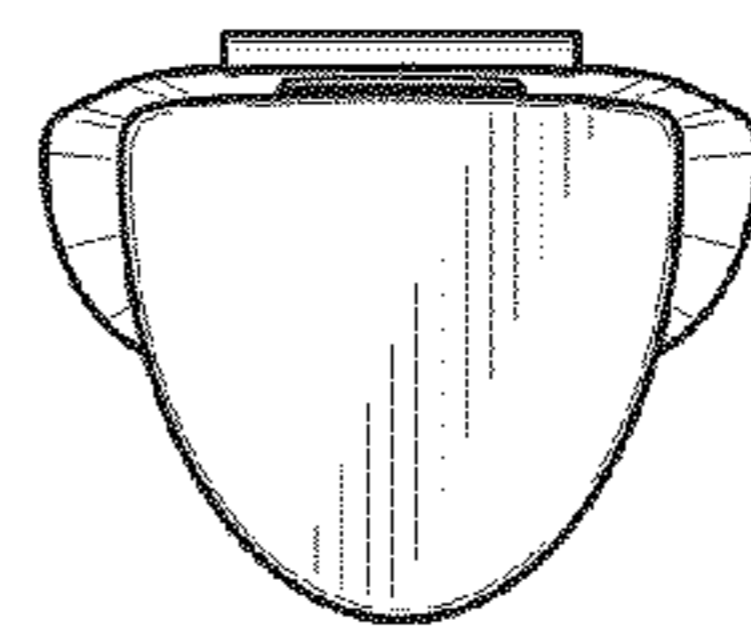


FIG. 7