



US00D720570S

(12) **United States Design Patent**
Inada

(10) **Patent No.:** **US D720,570 S**

(45) **Date of Patent:** **** Jan. 6, 2015**

(54) **BARBECUE GRILL**

(71) Applicant: **Iwatani Corporation**, Osaka (JP)

(72) Inventor: **Kenichiro Inada**, Osaka (JP)

(73) Assignee: **Iwatani Corporation**, Osaka (JP)

(**) Term: **14 Years**

(21) Appl. No.: **29/481,786**

(22) Filed: **Feb. 10, 2014**

(30) **Foreign Application Priority Data**

Sep. 11, 2013 (JP) 2013-20990

(51) **LOC (10) Cl.** **07-02**

(52) **U.S. Cl.**
USPC **D7/334**

(58) **Field of Classification Search**
USPC D7/332, 334-337, 402-406; 126/25 R,
126/25 A, 25 AA, 9 R, 38, 41 R, 40, 50, 276;
99/449

See application file for complete search history.

(56) **References Cited**

U.S. PATENT DOCUMENTS

4,210,118 A * 7/1980 Davis et al. 126/25 R
D451,751 S * 12/2001 Stewart et al. D7/334
6,422,230 B1 * 7/2002 Stewart et al. 126/25 R
D562,628 S * 2/2008 Henley et al. D7/402

D568,671 S * 5/2008 Cheng D7/337
D615,799 S * 5/2010 Best et al. D7/337
D623,004 S * 9/2010 Groth et al. D7/334
D636,628 S * 4/2011 Chung D7/334
7,958,882 B1 * 6/2011 Sgourides 126/9 R
D658,927 S * 5/2012 Mohr D7/335
D658,928 S * 5/2012 Mohr D7/335
8,316,837 B2 * 11/2012 Malumyan 126/25 R
D680,365 S * 4/2013 Chung D7/334
D680,366 S * 4/2013 Chung D7/334
2005/0252504 A1 * 11/2005 Cabrera et al. 126/50

* cited by examiner

Primary Examiner — Ruth McInroy

(74) *Attorney, Agent, or Firm* — Osha Liang LLP

(57) **CLAIM**

I claim the ornamental design for a barbecue grill, as shown and described.

DESCRIPTION

FIG. 1 is a perspective view of a barbecue grill showing my new design;

FIG. 2 is a front view thereof;

FIG. 3 is a rear view thereof;

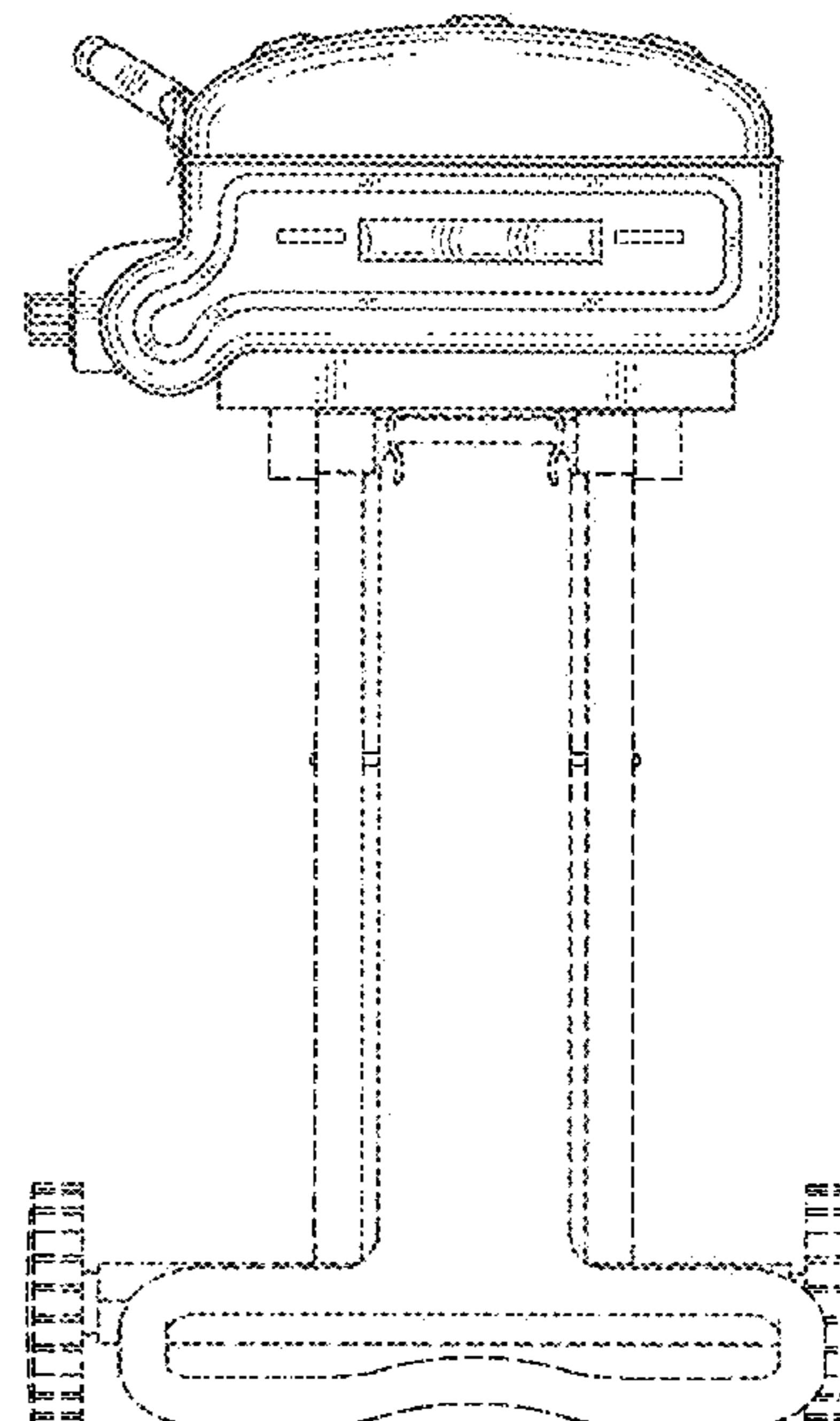
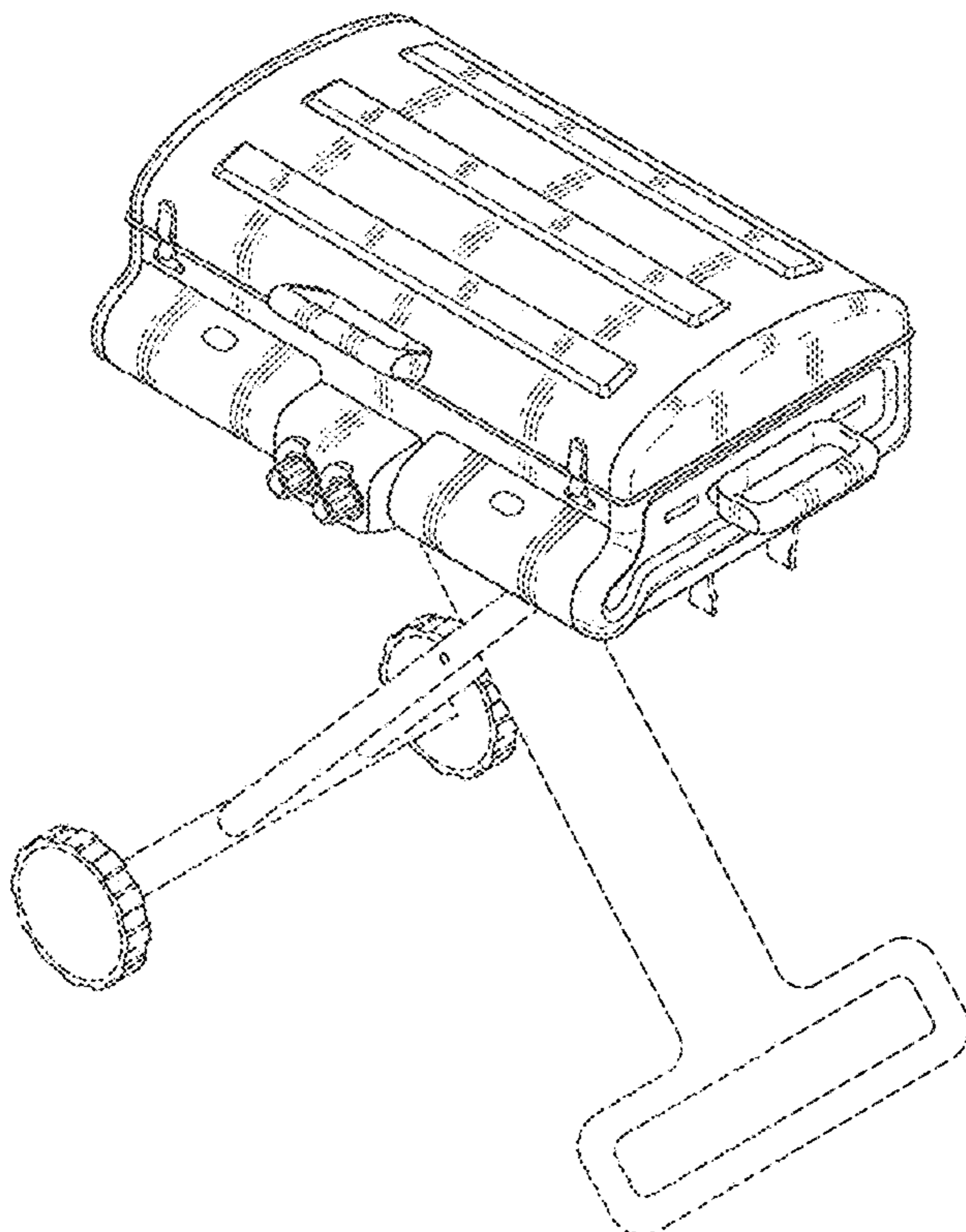
FIG. 4 is a left side view thereof;

FIG. 5 is a right side view thereof; and,

FIG. 6 is a top view thereof.

The elements shown in broken lines are for illustrative purposes only and form no part of the claimed invention.

1 Claim, 6 Drawing Sheets



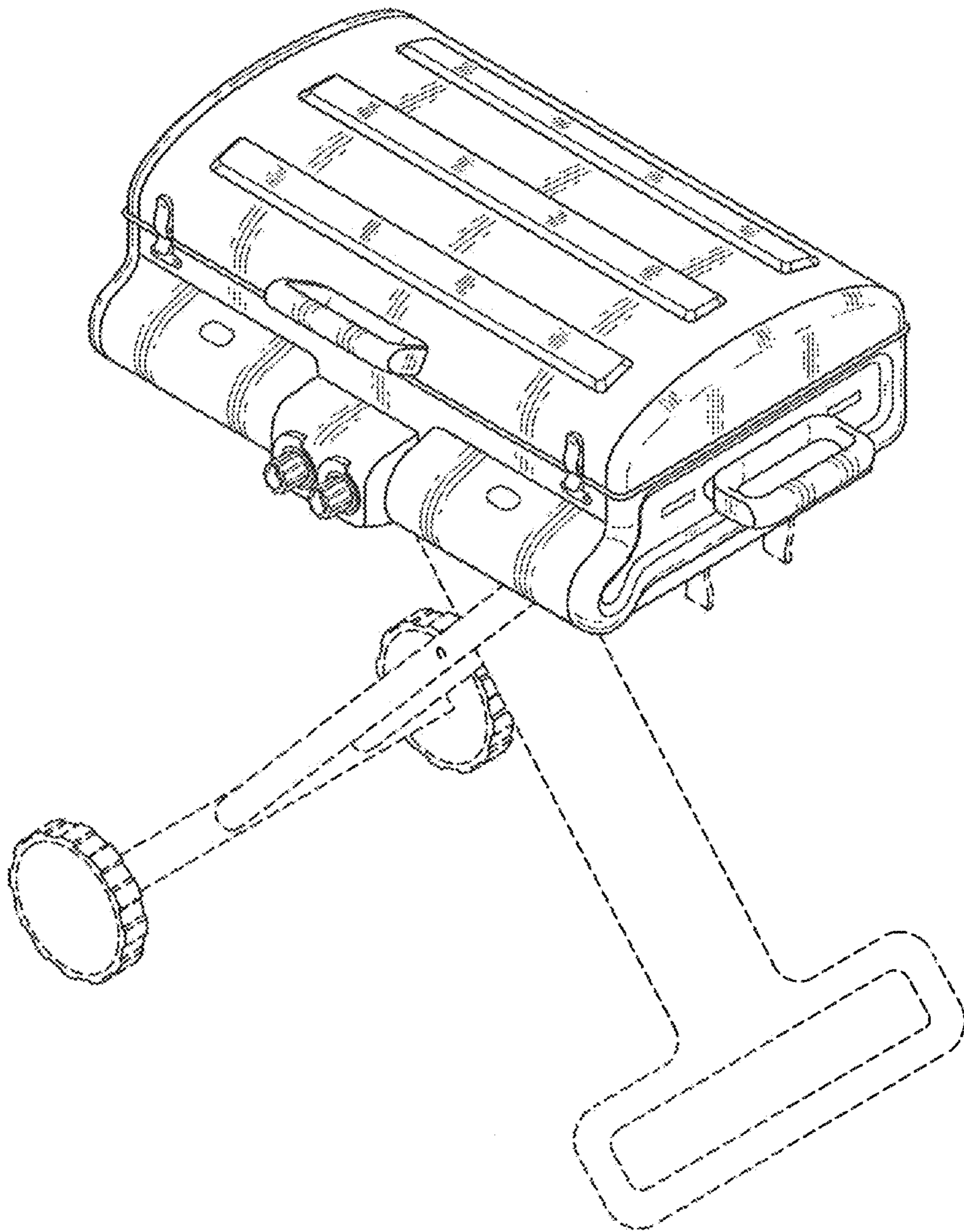


FIG. 1

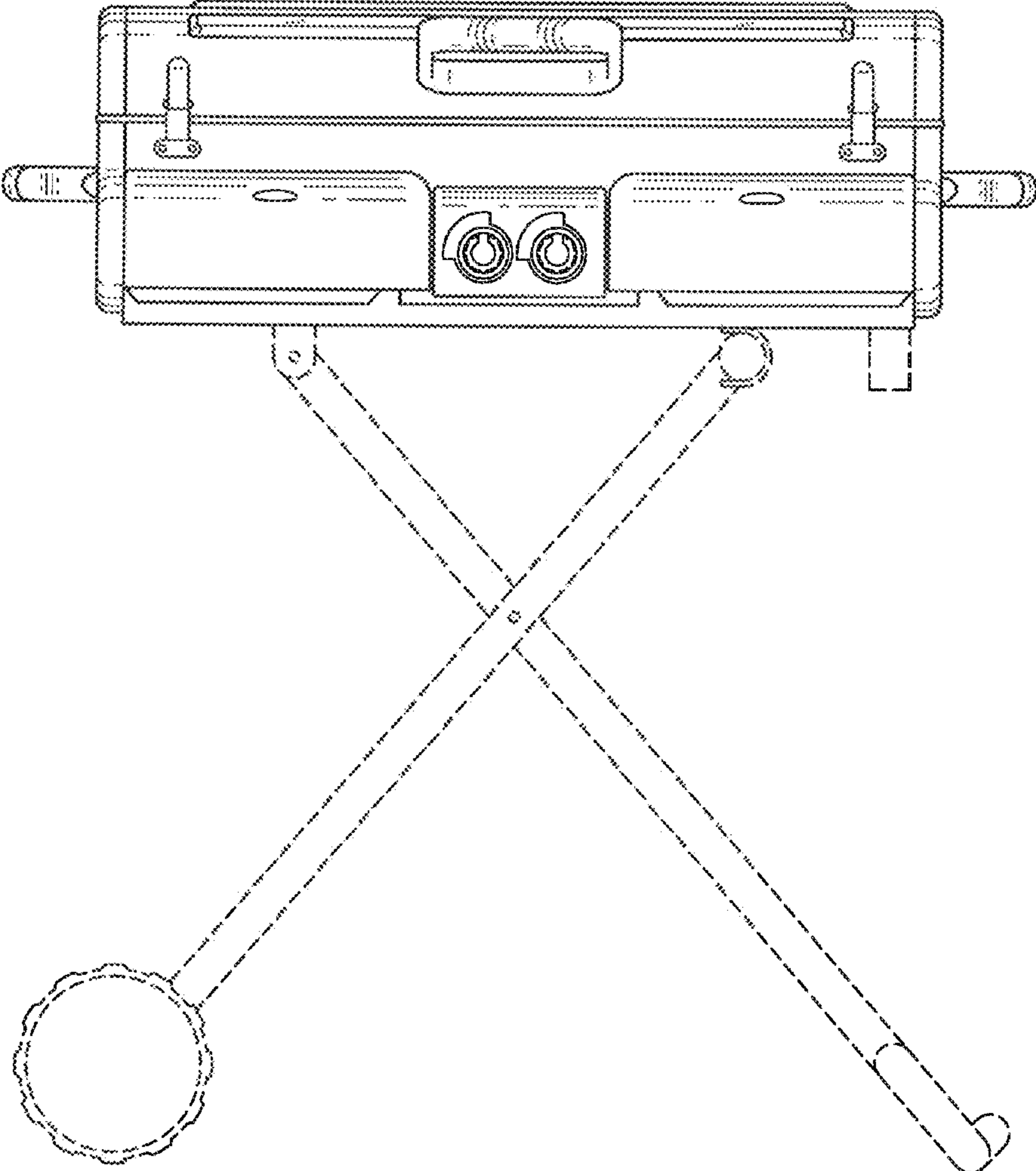


FIG. 2

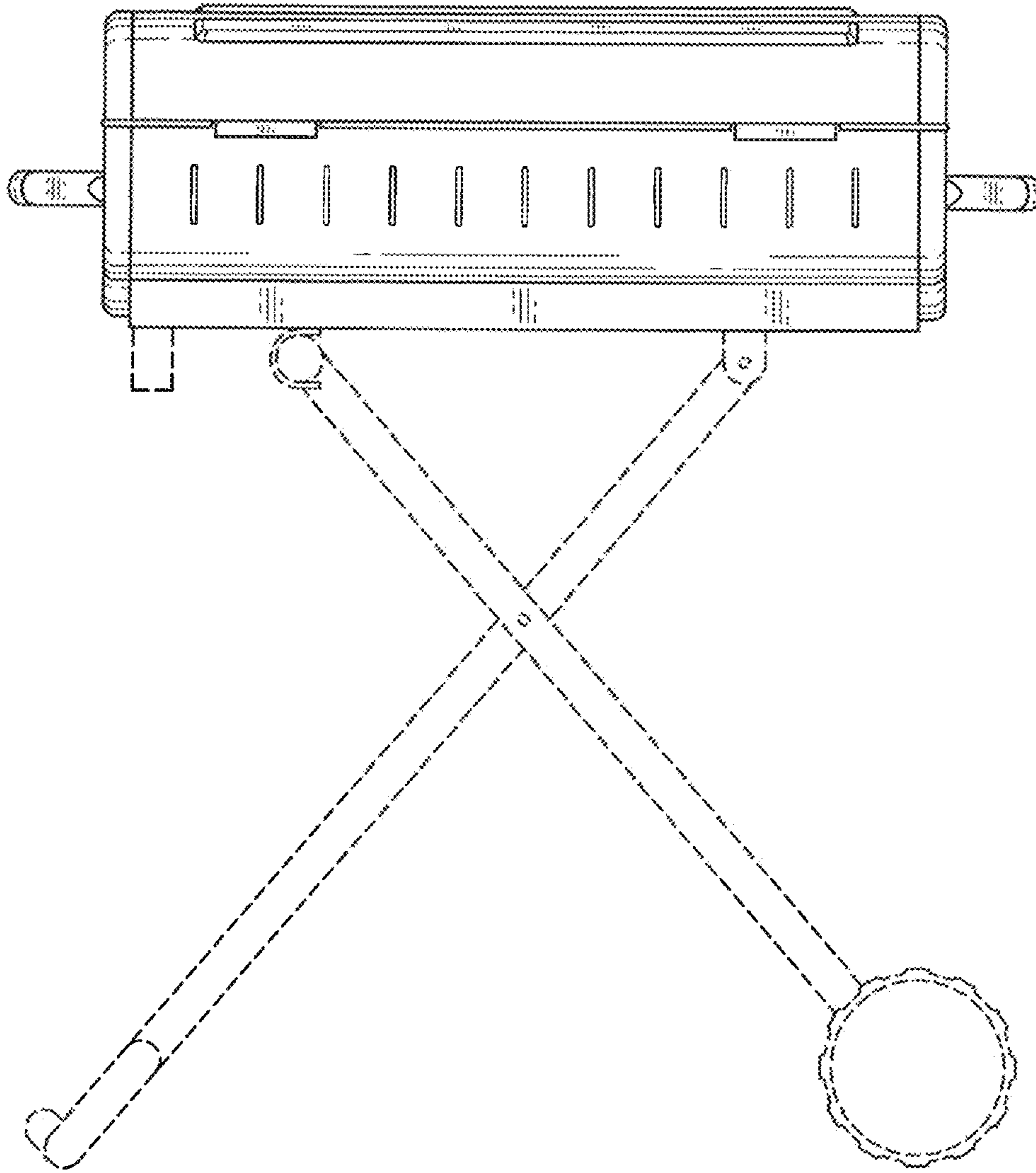


FIG. 3

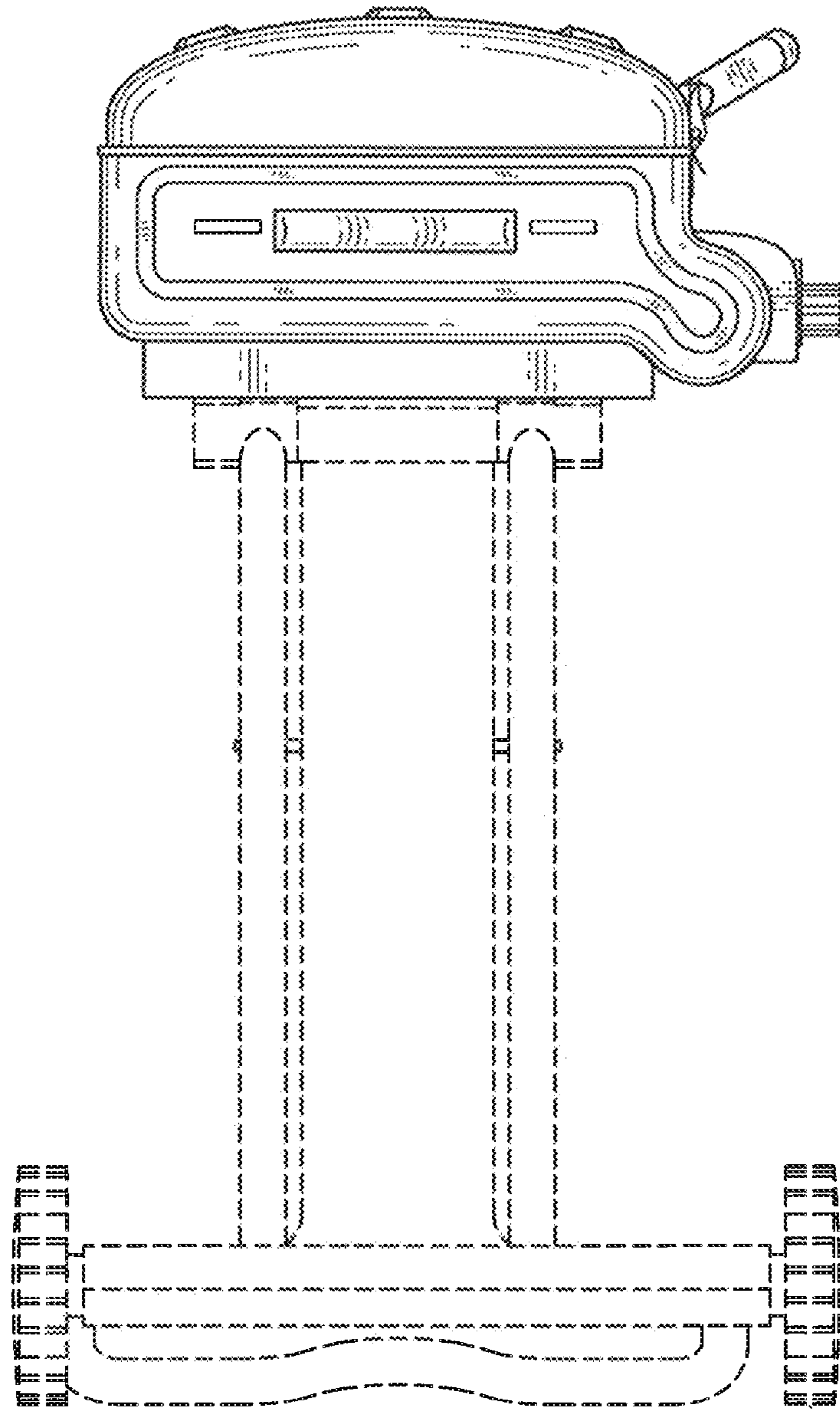


FIG. 4

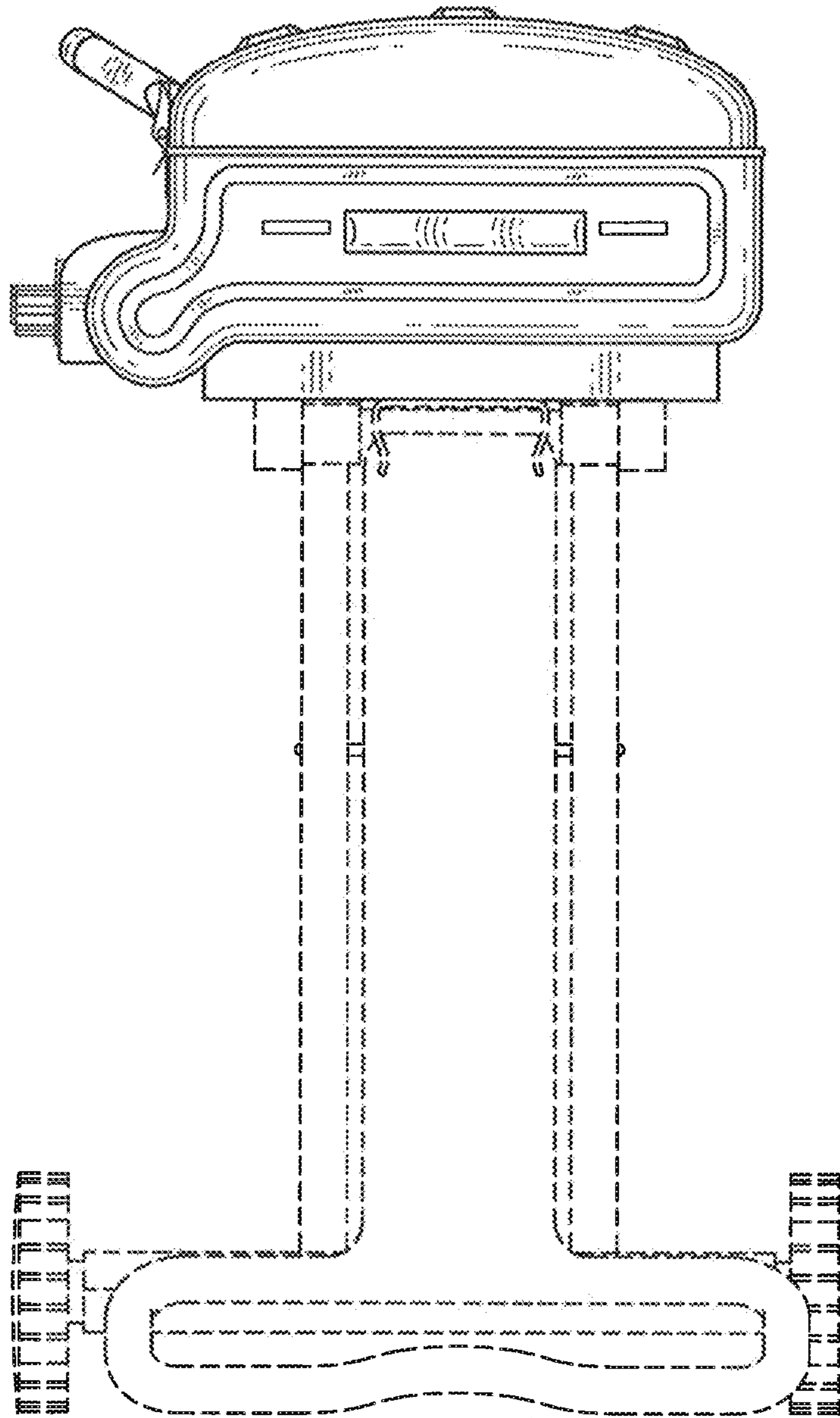


FIG. 5

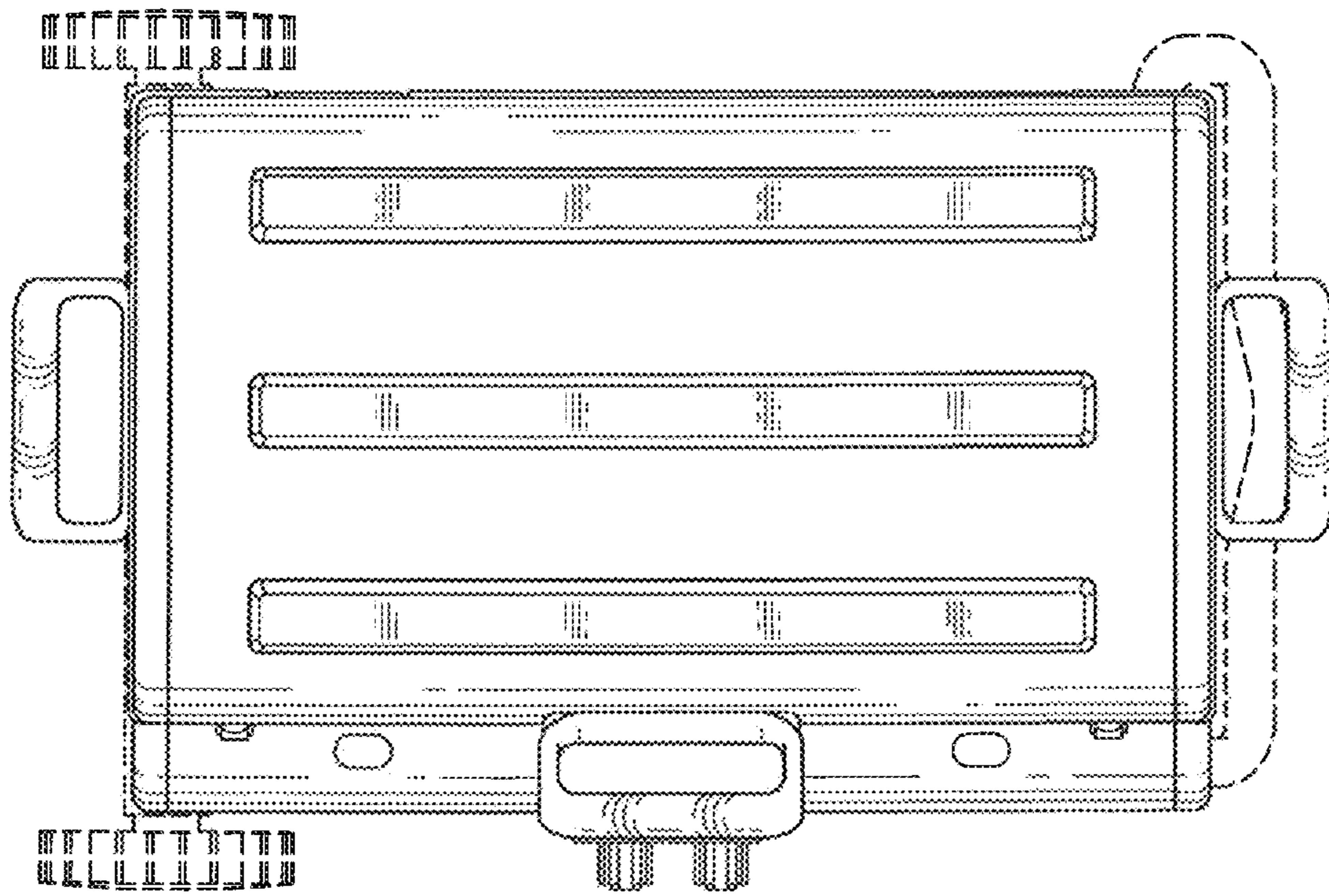


FIG. 6