



US00D720569S

(12) **United States Design Patent**
Hill

(10) **Patent No.:** **US D720,569 S**
(45) **Date of Patent:** **** Jan. 6, 2015**

(54) **GARDEN OVEN**

(71) Applicant: **Garth Australia Pty Ltd**, Melbourne,
Victoria (AU)

(72) Inventor: **Gavin Hill**, Epping (AU)

(73) Assignee: **Garth Australia Pty Ltd** (AU)

(**) Term: **14 Years**

(21) Appl. No.: **29/446,899**

(22) Filed: **Feb. 28, 2013**

(30) **Foreign Application Priority Data**

Aug. 29, 2012 (AU) 14269/2012

(51) **LOC (10) Cl.** **07-02**

(52) **U.S. Cl.**
USPC **D7/334**

(58) **Field of Classification Search**

CPC A21B 1/00; A21B 1/52; A47J 33/00;
A47J 36/26; A47J 36/36; A47J 37/04; A47J
37/07-37/079; A47J 37/0682; A47J
2037/0777; F24B 1/18; F24B 1/20; F24B
1/22; F24B 1/24; F24B 1/26; F24B 1/182;
F24B 1/202; F24B 1/205; F24B 1/207;
F24C 1/16; F24C 3/008; F24C 3/027; F24C
3/085; F24C 3/087; F24C 3/14; F24C 5/20;
F24C 11/00; F24C 15/10

USPC D7/332-337, 402-408
See application file for complete search history.

(56) **References Cited**

U.S. PATENT DOCUMENTS

702,999 A * 6/1902 Richards 126/506
D222,569 S * 11/1971 Ford D7/333

D228,609 S * 10/1973 Tarsitano, Jr. D7/333
D267,769 S * 2/1983 Pope D7/332
D272,885 S * 3/1984 Famiglietti D7/333
D301,107 S * 5/1989 Rocco D7/332
D329,960 S * 10/1992 Reynolds D7/334
5,279,214 A * 1/1994 Lamendola 99/445
5,284,125 A * 2/1994 Hunziker 126/25 R
5,347,977 A * 9/1994 Lehtikoinen et al. 126/19 R
D396,166 S * 7/1998 Pavlich D7/333
6,070,572 A * 6/2000 Casagrande 126/506
6,581,513 B1 * 6/2003 Prado Alvarez 99/482
6,615,818 B1 * 9/2003 Jimka et al. 126/8
D480,258 S * 10/2003 Gordon D7/333
6,748,939 B1 * 6/2004 Gober 126/25 R
D493,328 S * 7/2004 Wood D7/332
D539,071 S * 3/2007 O'Brien D7/333
D571,601 S * 6/2008 Kolar D7/333
7,856,971 B2 * 12/2010 Amaral 126/25 A

(Continued)

Primary Examiner — Ruth McInroy

(74) *Attorney, Agent, or Firm* — Kilpatrick Townsend &
Stockton LLP

(57) **CLAIM**

The ornamental design for a garden oven, as shown and
described.

DESCRIPTION

FIG. 1 is a perspective view of a garden oven showing my new
design.

FIG. 2 is a front view of the garden oven of FIG. 1.

FIG. 3 is a rear view of the garden oven of FIG. 1.

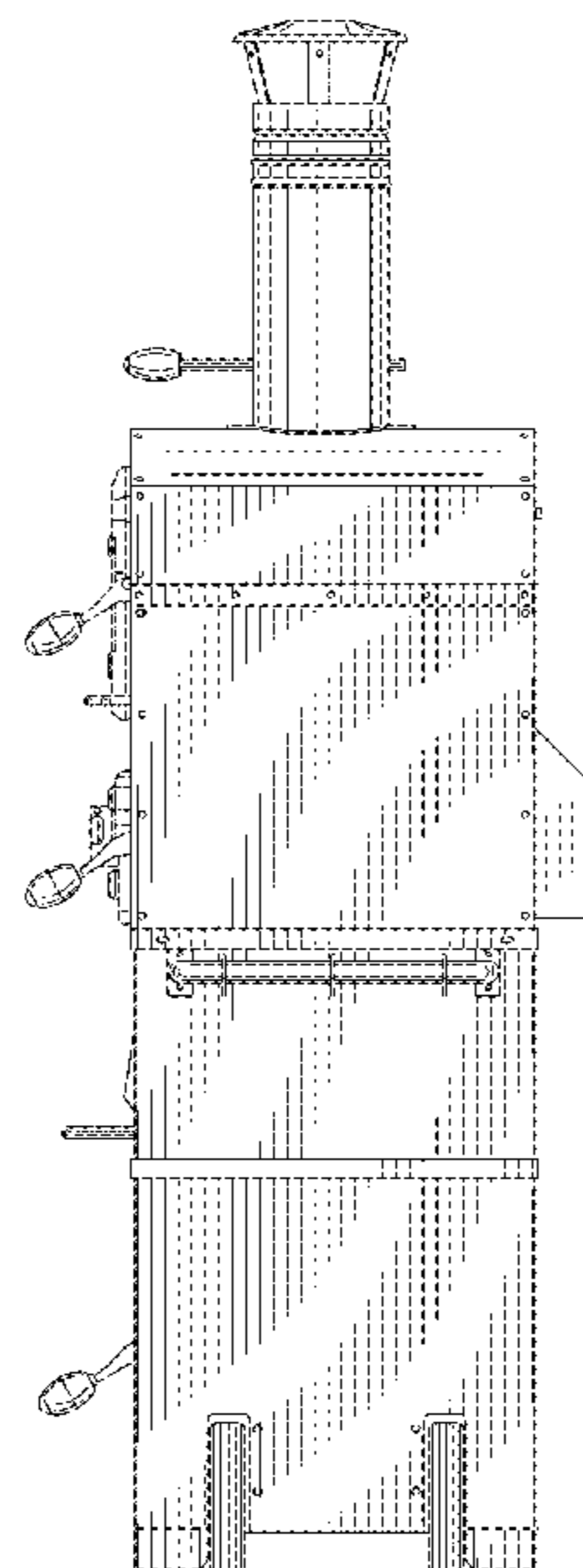
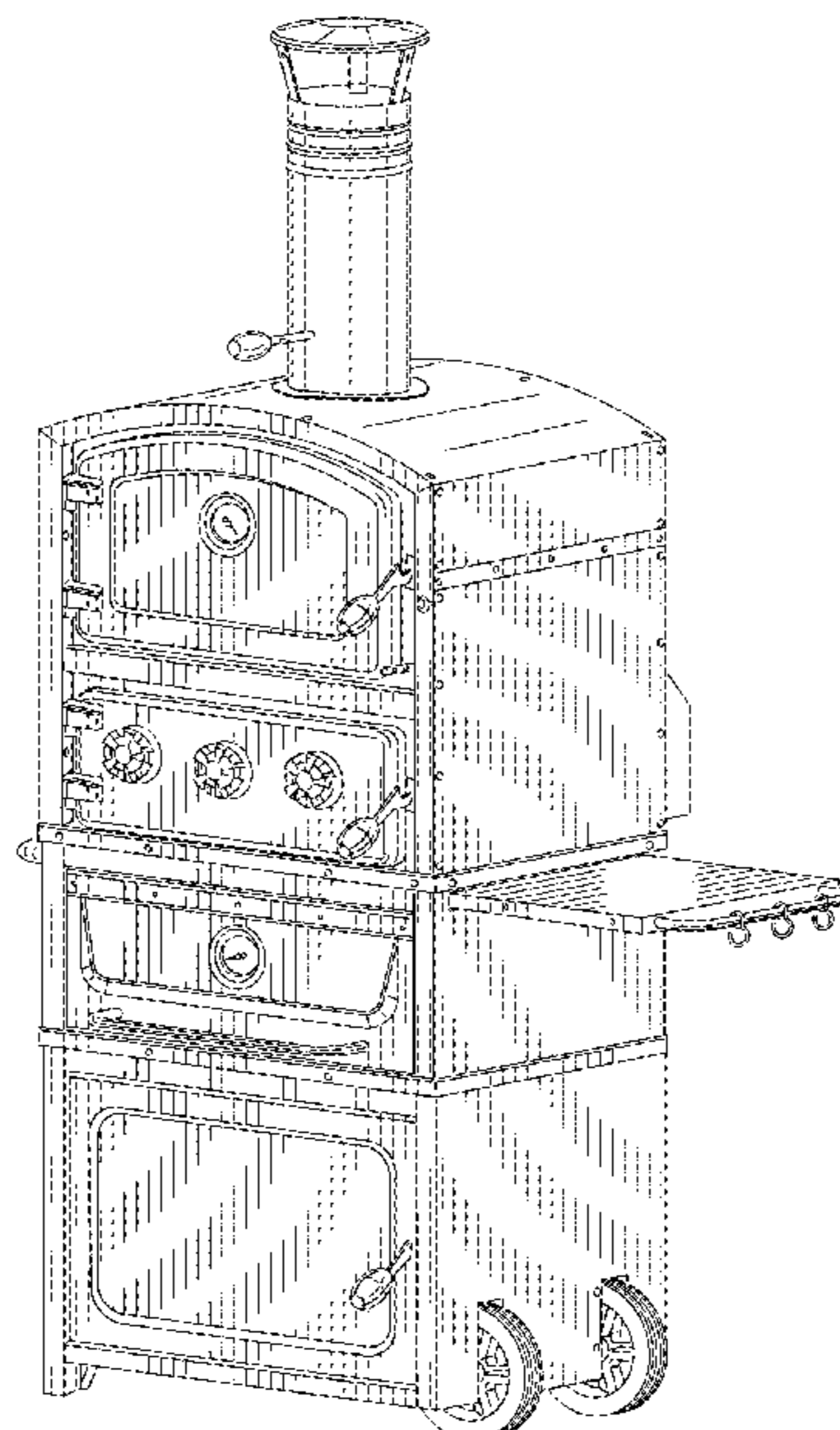
FIG. 4 is a left side view of the garden oven of FIG. 1.

FIG. 5 is a right side view of the garden oven of FIG. 1.

FIG. 6 is a top view of the garden oven of FIG. 1; and,

FIG. 7 is a bottom view of the garden oven of FIG. 1.

1 Claim, 7 Drawing Sheets



US D720,569 S

Page 2

(56)

References Cited

U.S. PATENT DOCUMENTS

8,061,348 B1 *	11/2011	Rodriguez	126/506
2001/0035176 A1 *	11/2001	Bush, III	126/25 R
2007/0221191 A1 *	9/2007	O'Brien et al.	126/25 R
D637,860 S *	5/2011	Petty	D7/333

* cited by examiner

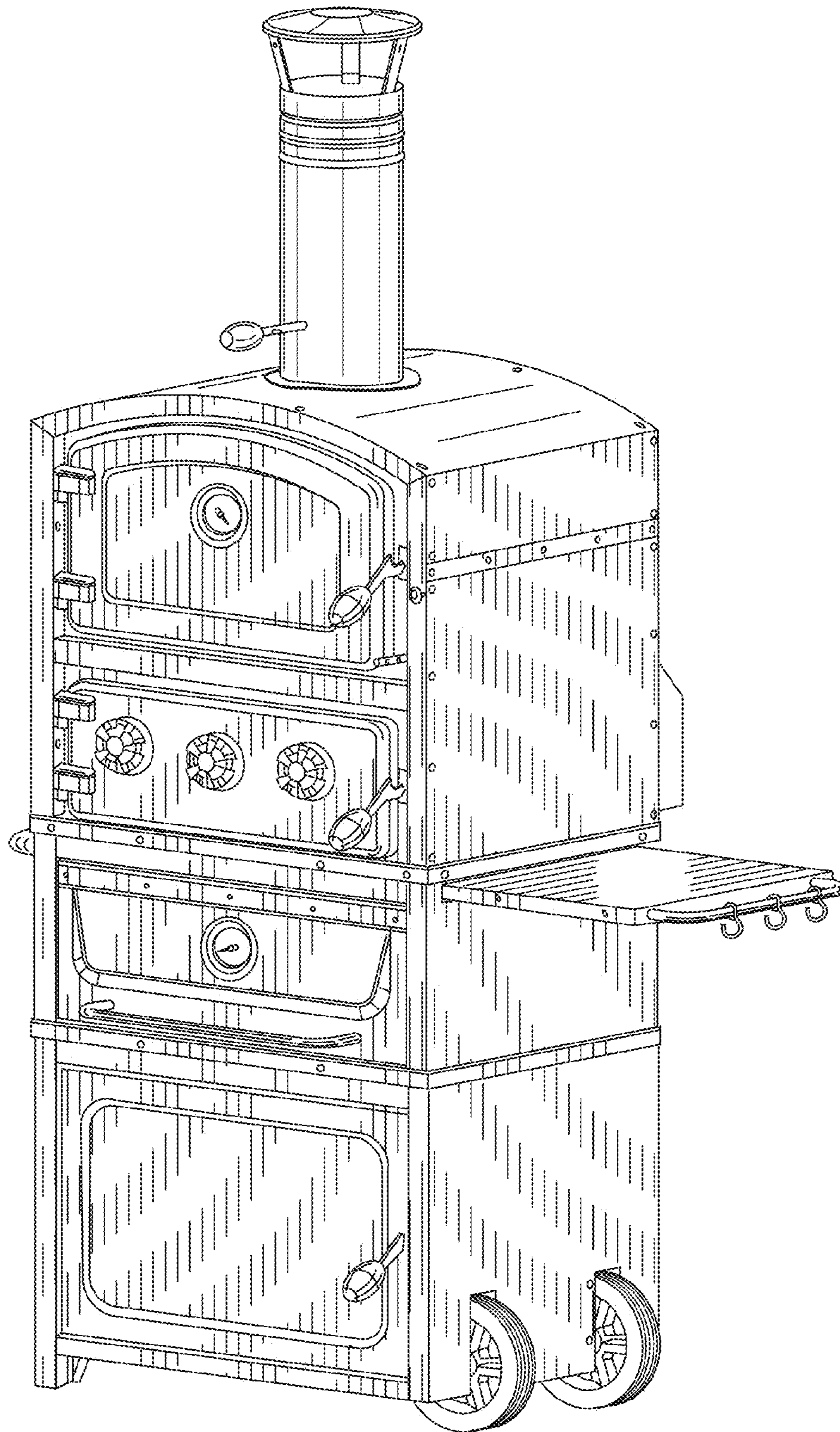


Fig.1

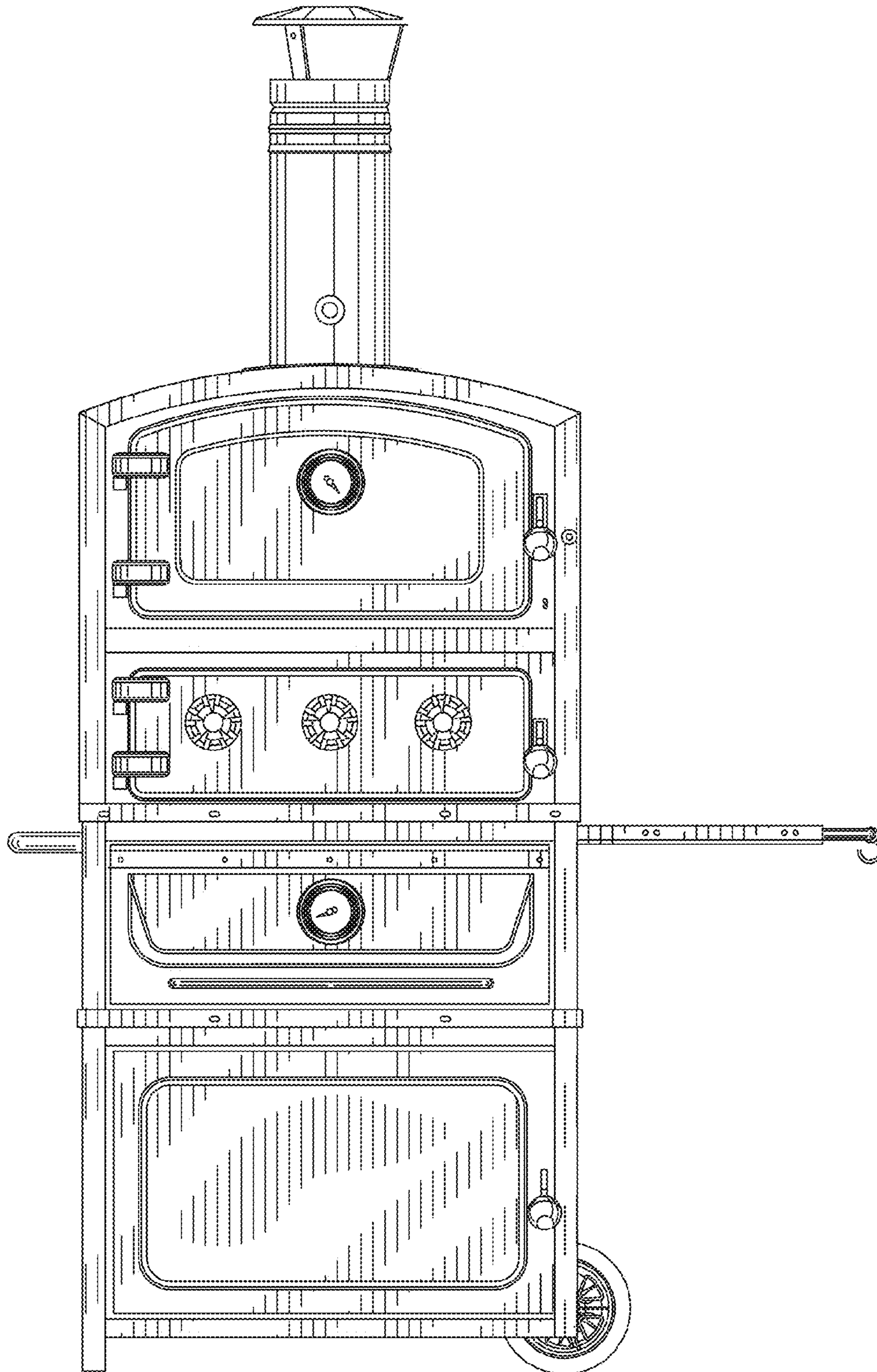


Fig. 2

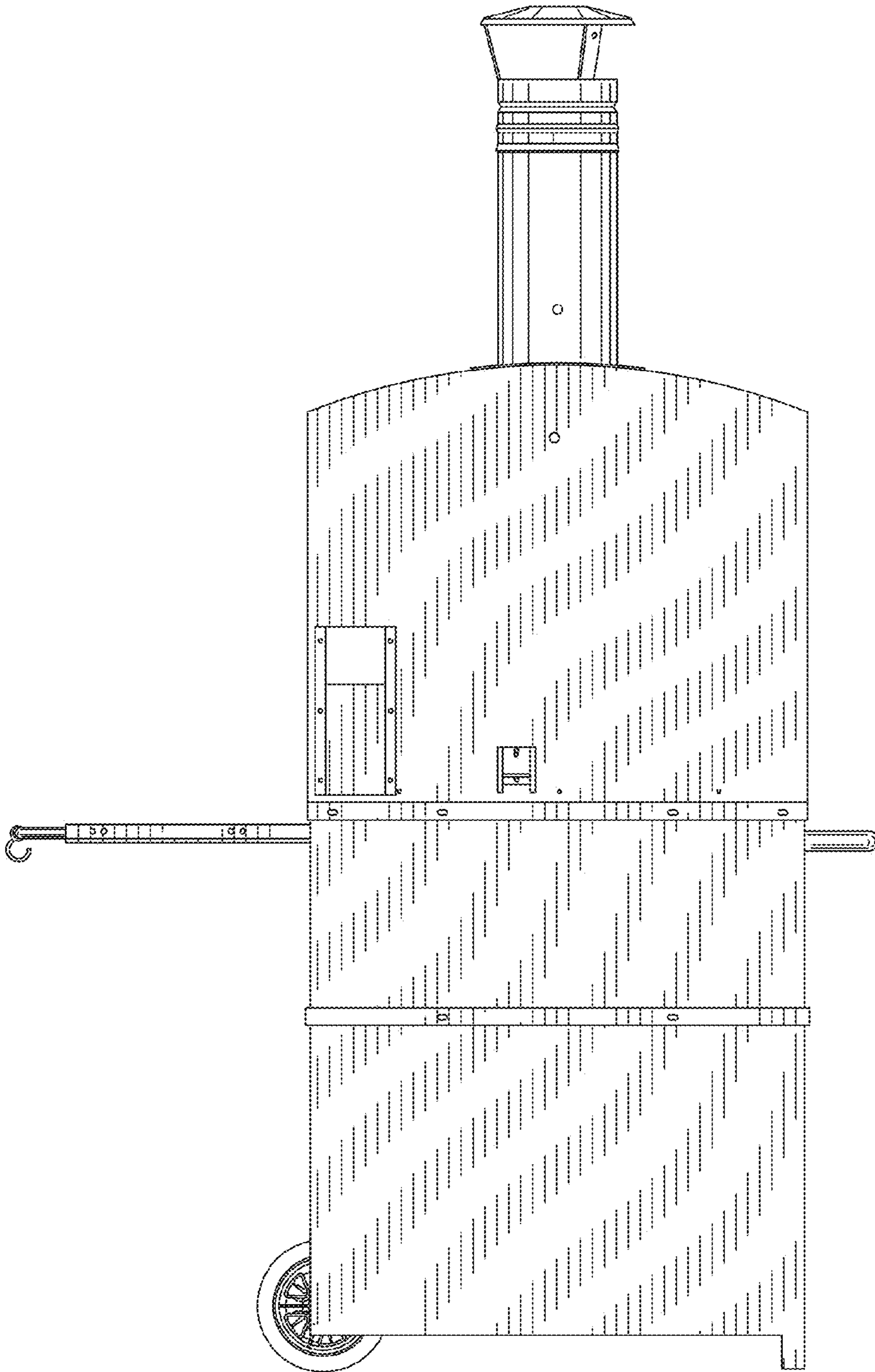


Fig. 3

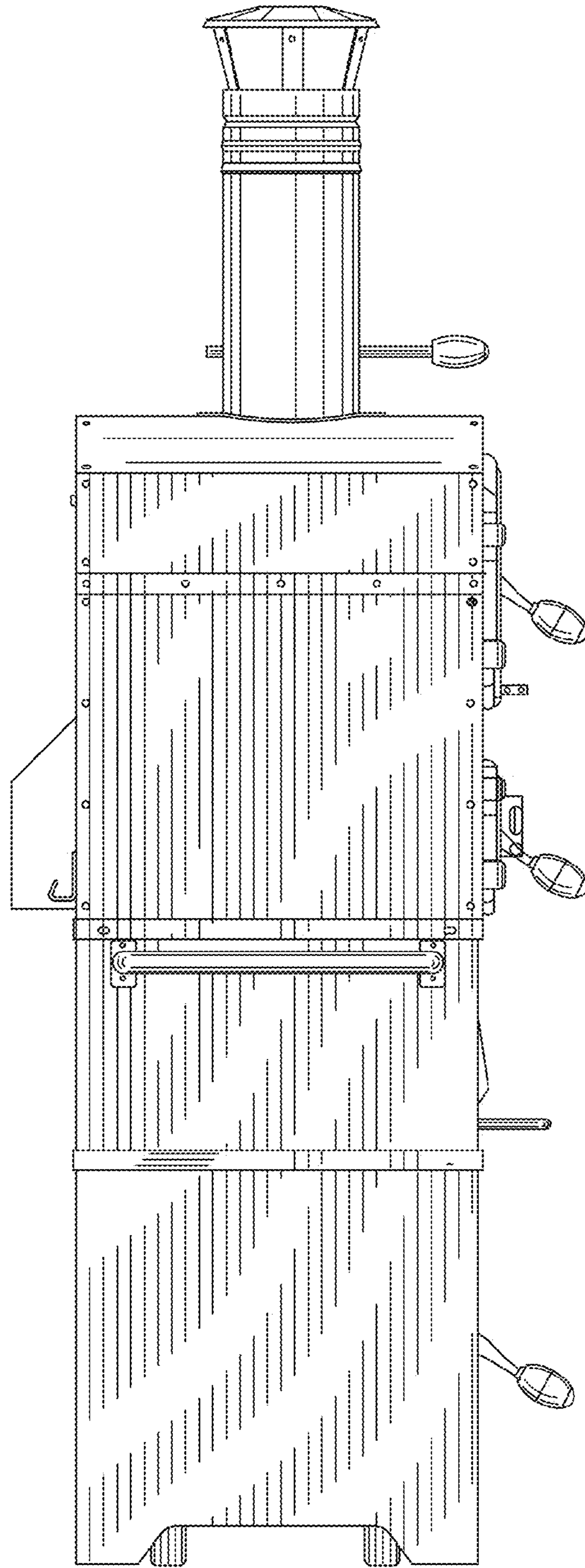


Fig. 4

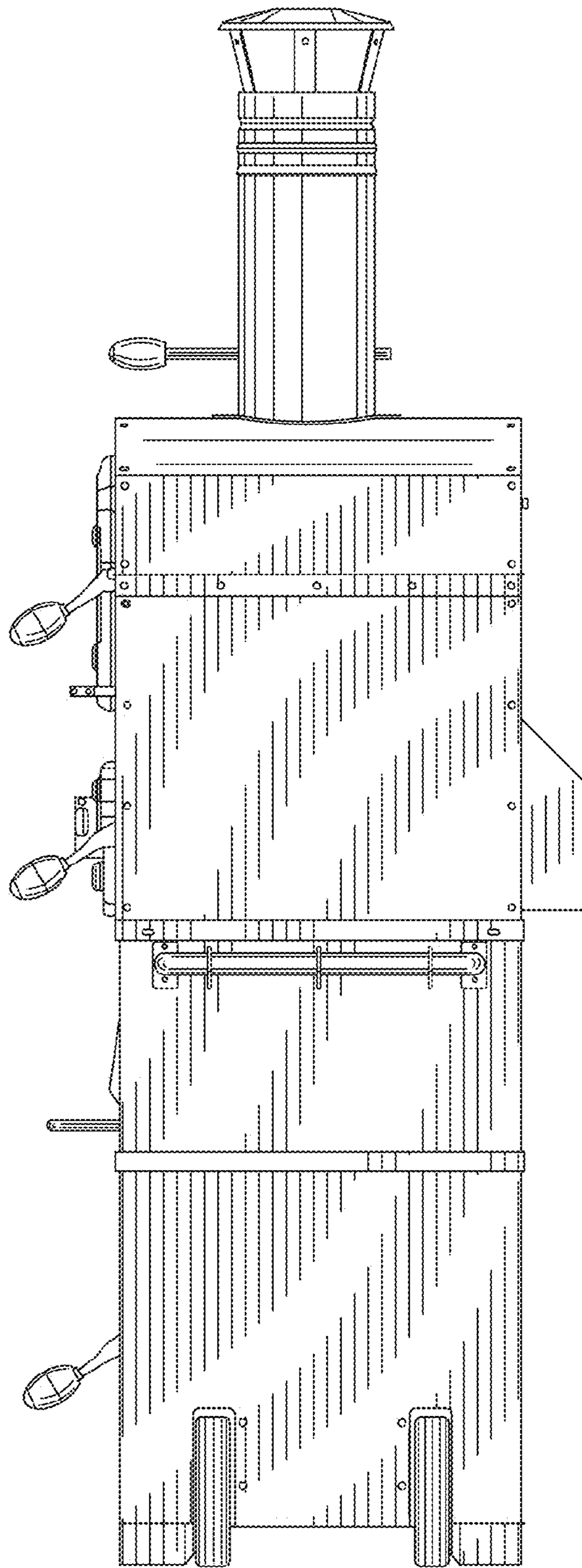


Fig. 5

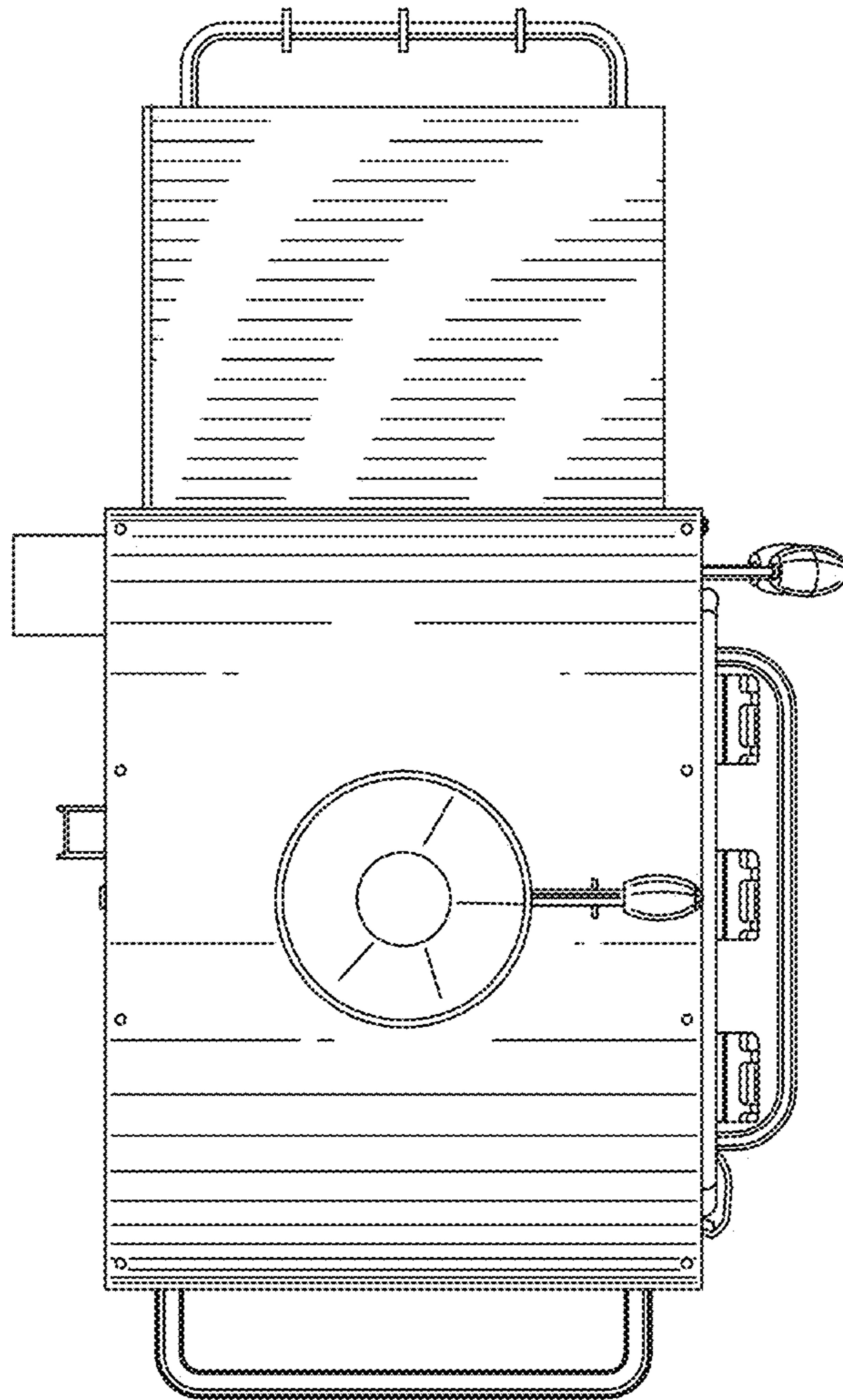


Fig. 6

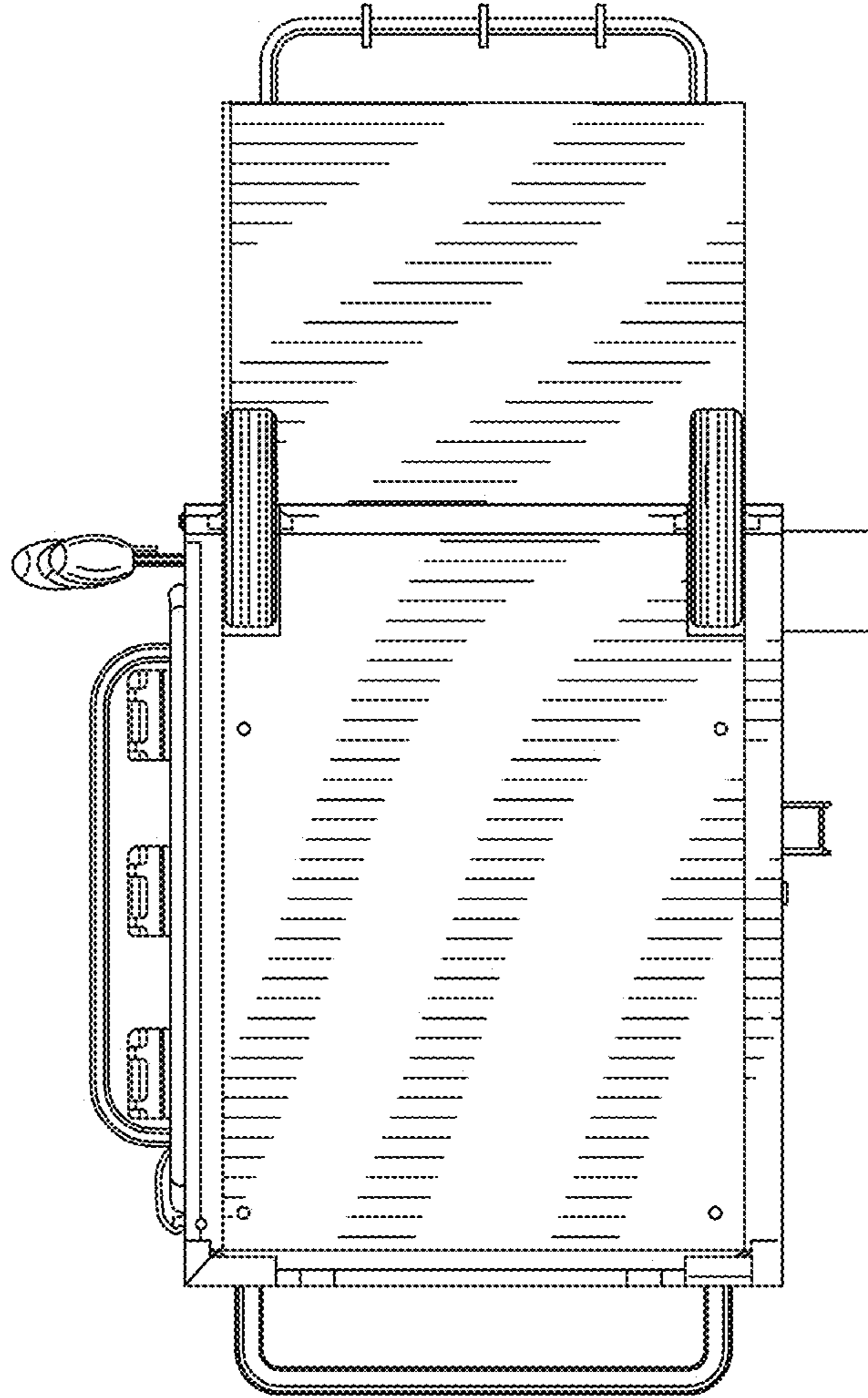


Fig. 7