



US00D720568S

(12) **United States Design Patent**
Klein

(10) **Patent No.:** **US D720,568 S**

(45) **Date of Patent:** **** Jan. 6, 2015**

(54) **DISPENSER TOWER**

(71) Applicant: **Benjamin Klein**, University Heights,
OH (US)

(72) Inventor: **Benjamin Klein**, University Heights,
OH (US)

(**) Term: **14 Years**

(21) Appl. No.: **29/462,503**

(22) Filed: **Aug. 5, 2013**

(51) **LOC (10) Cl.** **07-01**

(52) **U.S. Cl.**
USPC **D7/308; D7/307; D7/397**

(58) **Field of Classification Search**
CPC B67D 3/00
USPC D7/309-311, 306-308, 300, 397;
99/293, 323.1; D6/544; 222/105, 185.1
See application file for complete search history.

(56) **References Cited**

U.S. PATENT DOCUMENTS

D226,994 S *	5/1973	Bradley	D7/308
D238,721 S *	2/1976	Buffington	D7/308
D301,193 S	5/1989	Schechter et al.		
D305,857 S	2/1990	Schechter et al.		
D333,405 S *	2/1993	Moyer et al.	D7/308
D390,059 S *	2/1998	Saito	D7/308
D411,935 S *	7/1999	Roundtree	D7/307
5,996,842 A	12/1999	Riley et al.		
D675,472 S *	2/2013	Strayle	D7/309

D682,597 S	5/2013	Bingul et al.		
D704,493 S *	5/2014	Tollefson et al.	D7/307
D706,567 S *	6/2014	Strayle	D7/309
2013/0087580 A1	4/2013	Stein et al.		

OTHER PUBLICATIONS

Bing.com image search (www.bing.com/images/search?q=beer+towers&qpv=beer+towers&form-igre), 10 pages, Jun. 20, 2013.

* cited by examiner

Primary Examiner — Marianne Pandozzi

(74) *Attorney, Agent, or Firm* — Fay Sharpe LLP

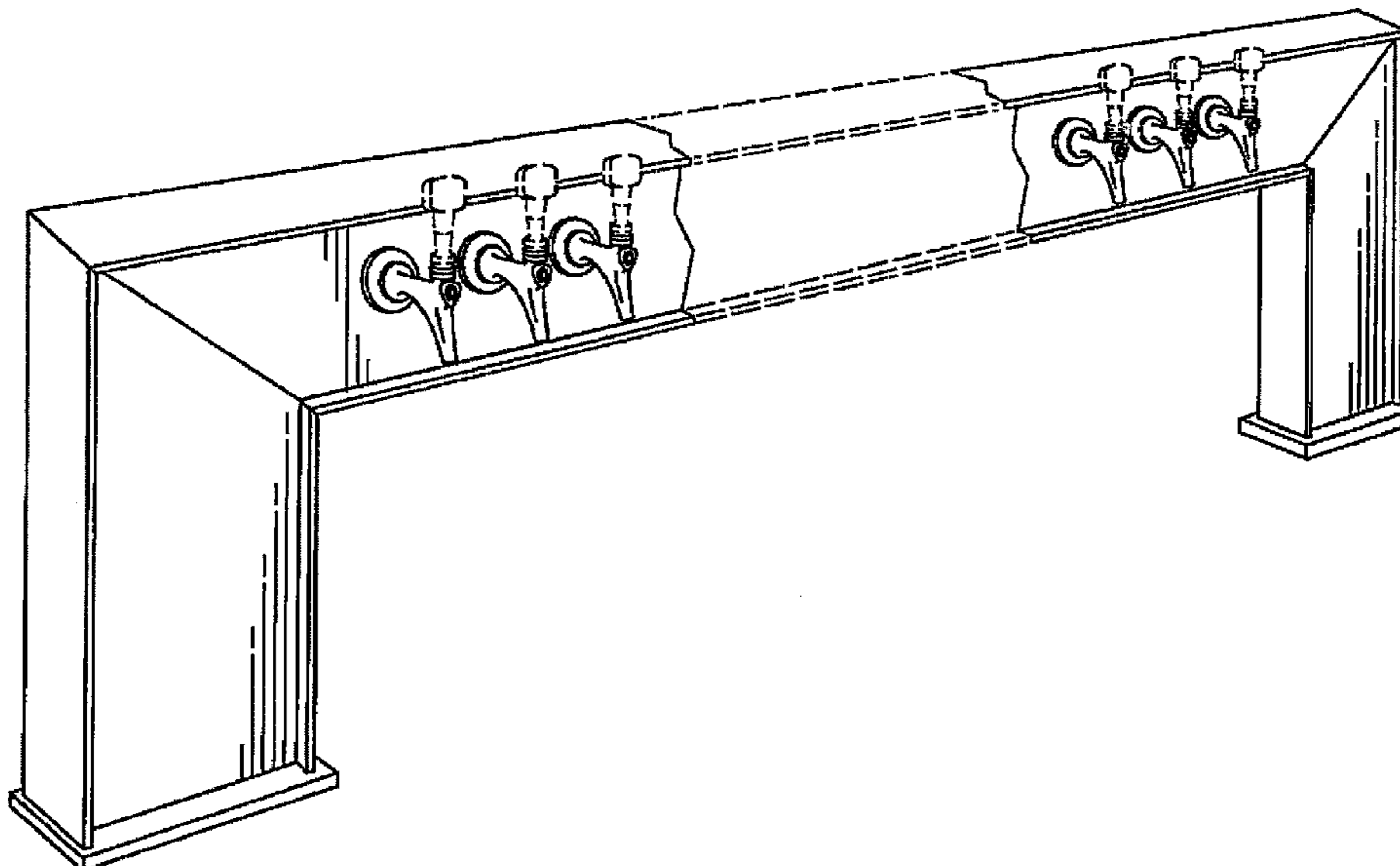
(57) **CLAIM**

The ornamental design for a dispenser tower, as shown and described.

DESCRIPTION

FIG. 1 is a perspective view of a dispenser tower showing my new design;
FIG. 2 is a front elevational view thereof;
FIG. 3 is a top plan view thereof;
FIG. 4 is a rear elevational view thereof;
FIG. 5 is a bottom plan view thereof; and,
FIG. 6 is a right end elevational view thereof, with a left end elevational view being a mirror image thereof.
The parts shown in broken lines in FIGS. 1-6 form no part of the claimed design.
The breakaway lines in the drawings indicate no specific length.

1 Claim, 3 Drawing Sheets



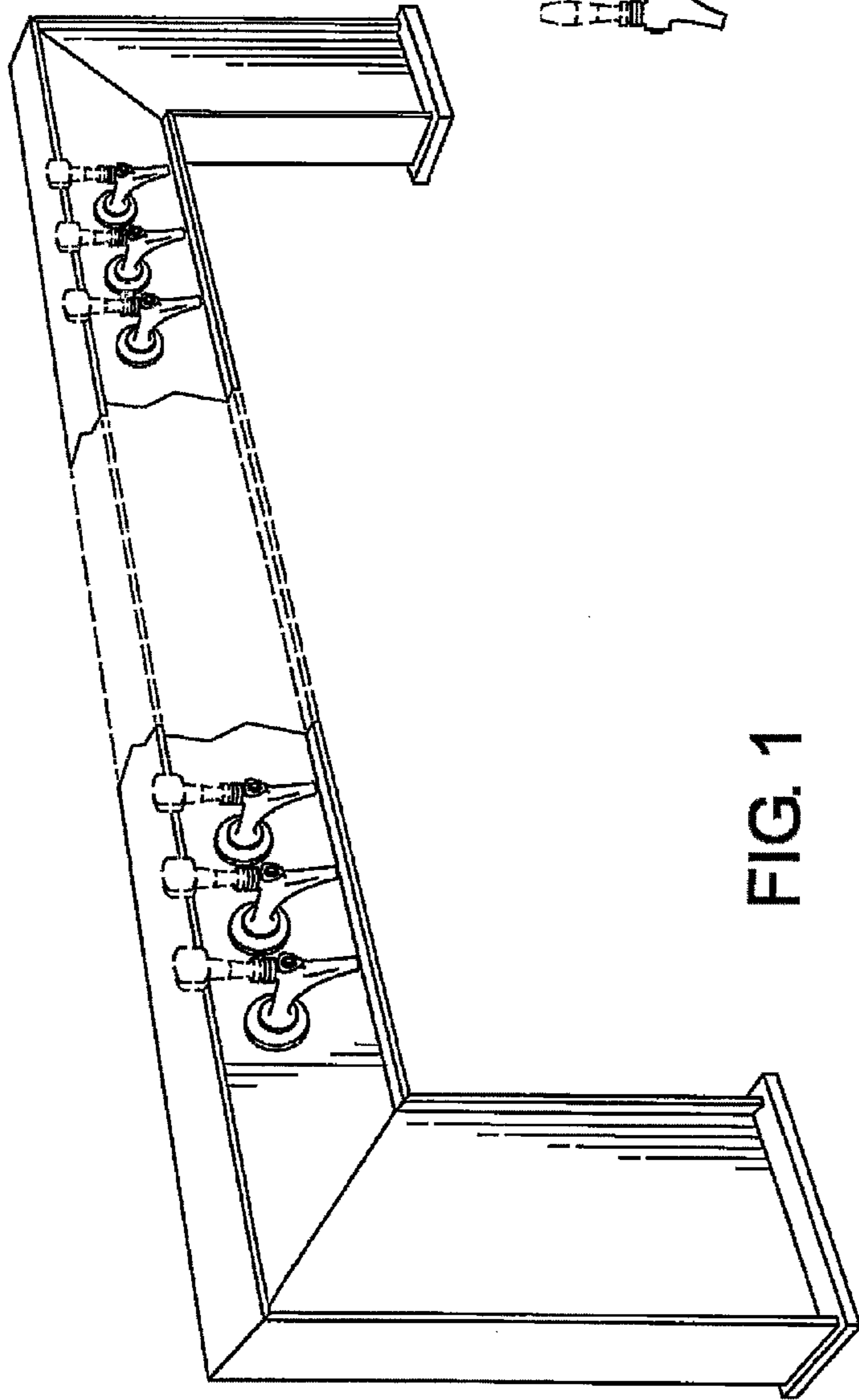


FIG. 1

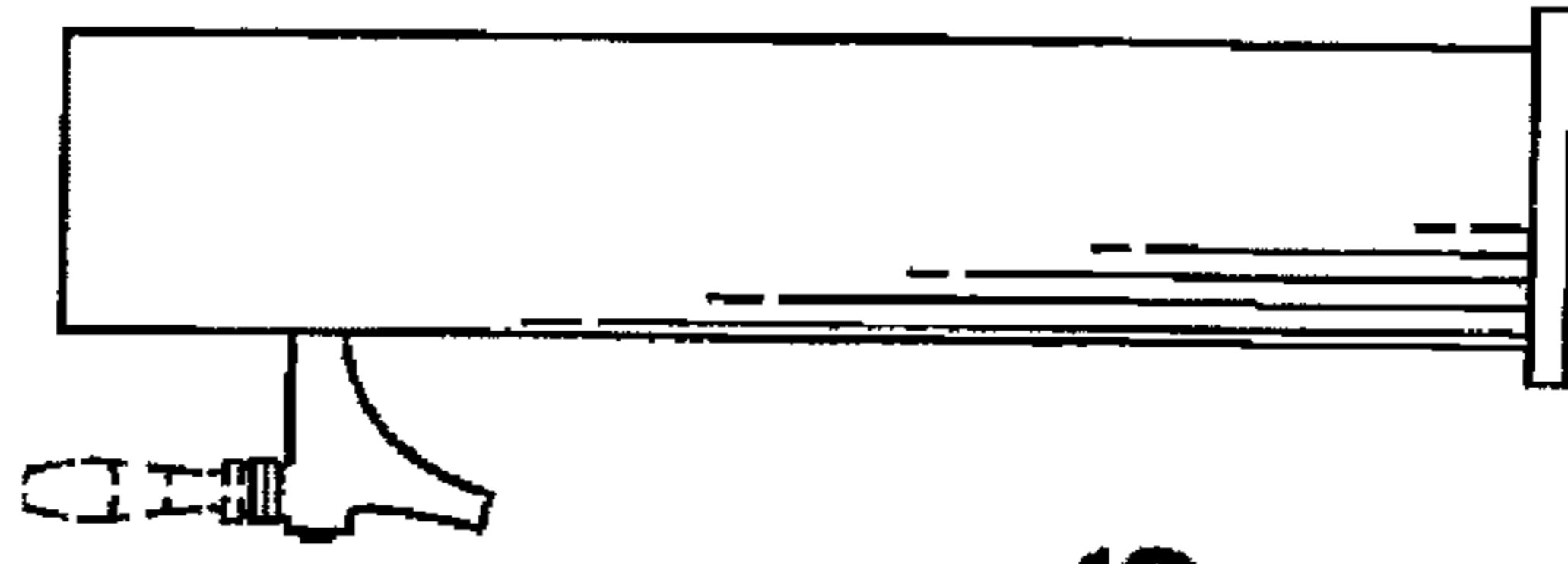


FIG. 6

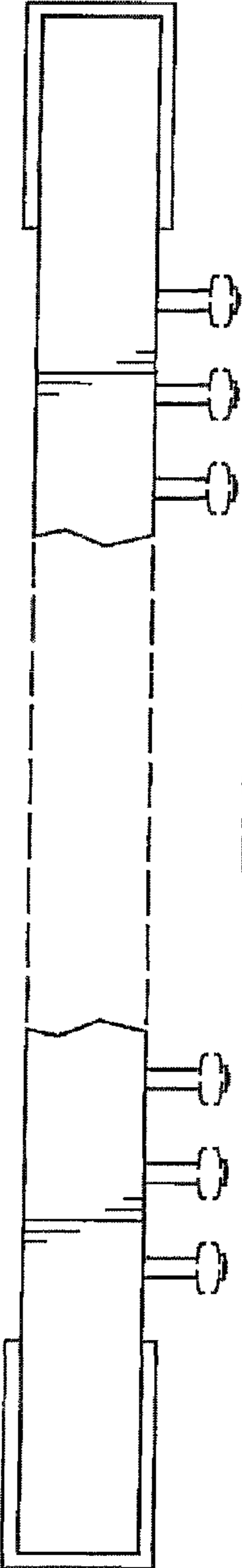


FIG. 3

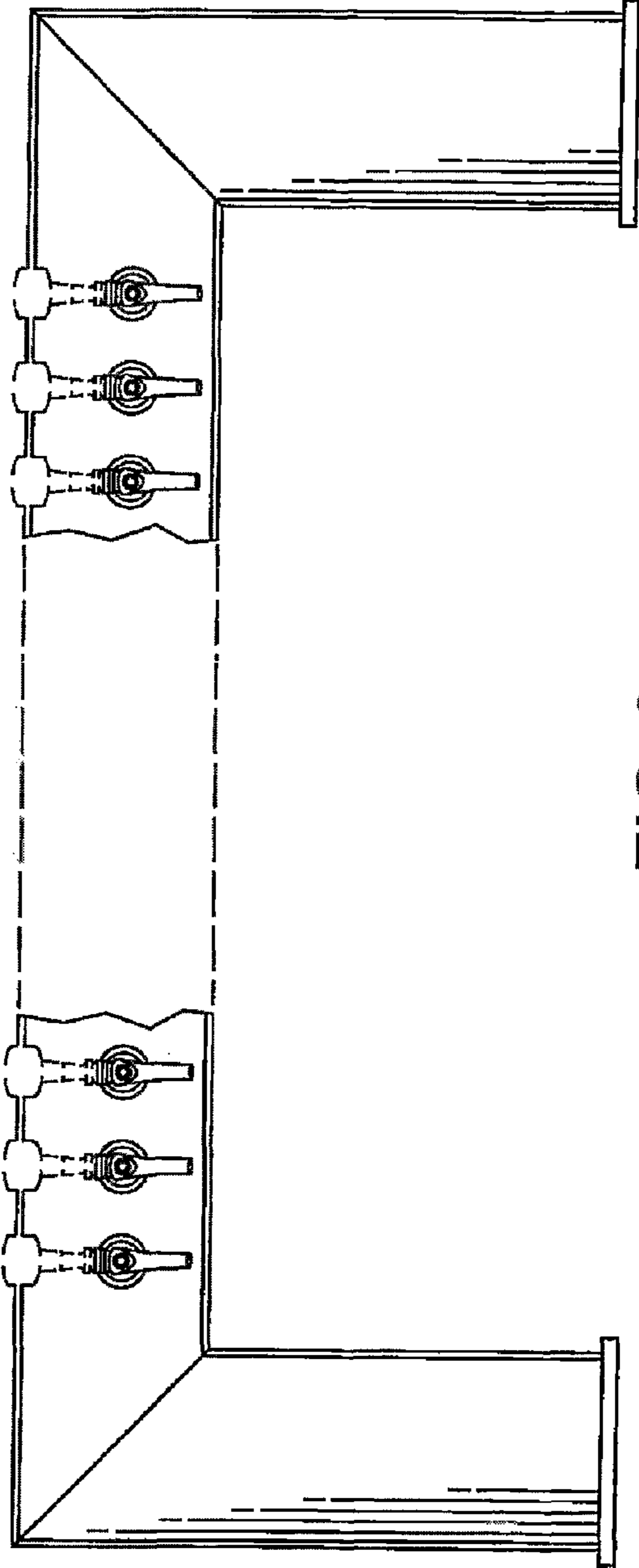


FIG. 2



FIG. 5

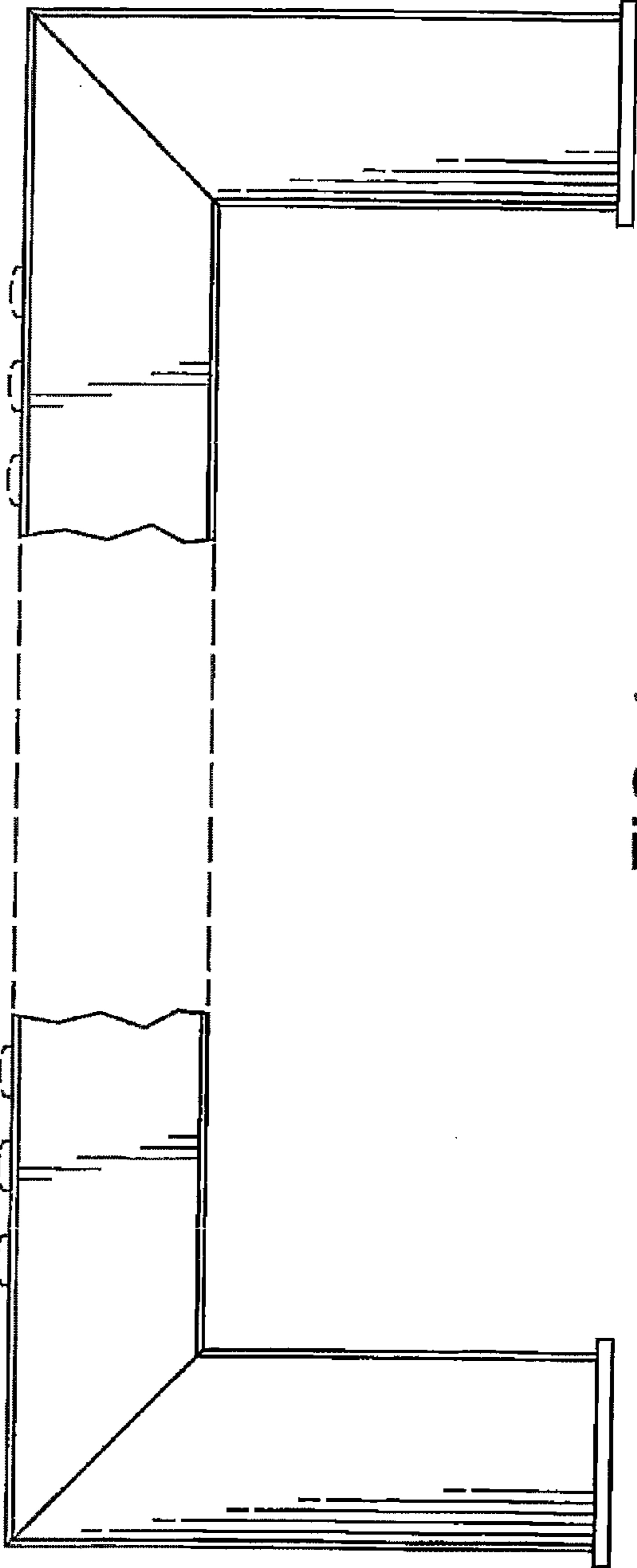


FIG. 4