



US00D720567S

(12) **United States Design Patent**  
**Cauwood et al.**

(10) **Patent No.:** **US D720,567 S**

(45) **Date of Patent:** **\*\* Jan. 6, 2015**

(54) **BEVERAGE MACHINE**

(71) Applicant: **Green Mountain Coffee Roasters, Inc.**,  
Waterbury, VT (US)

(72) Inventors: **Peter David Cauwood**, Cambridge  
(GB); **Iain James Sabberton**,  
Cambridge (GB); **Matthew John**  
**Maitland**, Cambridge (GB); **Keith Paul**  
**Thompson**, Cambridge (GB)

(73) Assignee: **Keurig Green Mountain, Inc.**,  
Waterbury, VT (US)

(\*\*) Term: **14 Years**

(21) Appl. No.: **29/466,333**

(22) Filed: **Sep. 6, 2013**

(51) **LOC (10) Cl.** ..... **07-01**

(52) **U.S. Cl.**  
USPC ..... **D7/306; D7/311**

(58) **Field of Classification Search**  
USPC ..... D7/306-311, 301, 300, 326, 386, 399,  
D7/397; 99/281, 305, 307; 141/247;  
222/129.1, 129.3, 145.6; D24/197;  
426/115

See application file for complete search history.

(56) **References Cited**

**U.S. PATENT DOCUMENTS**

D184,606 S \* 3/1959 Cramer et al. .... D7/309  
D195,663 S \* 7/1963 Schmaus ..... D7/308

D239,758 S \* 5/1976 Claxton et al. .... D7/309  
4,644,856 A \* 2/1987 Borgmann ..... 99/295  
D339,953 S \* 10/1993 Bunn et al. .... D7/309  
D365,961 S \* 1/1996 Cortese ..... D7/309  
D387,245 S \* 12/1997 Hippen et al. .... D7/379  
D403,551 S \* 1/1999 Seiffert ..... D7/309  
6,173,117 B1 \* 1/2001 Clubb ..... 392/442  
D465,120 S \* 11/2002 Bouhuys et al. .... D7/309  
D541,097 S \* 4/2007 Leverrier ..... D7/307  
D582,714 S \* 12/2008 Hensel ..... D7/309  
D604,985 S \* 12/2009 Taylor et al. .... D7/309  
D630,880 S \* 1/2011 Zimmermann ..... D7/309

\* cited by examiner

*Primary Examiner* — Marianne Pandozzi

(74) *Attorney, Agent, or Firm* — Wolf, Greenfield & Sacks,  
P.C.

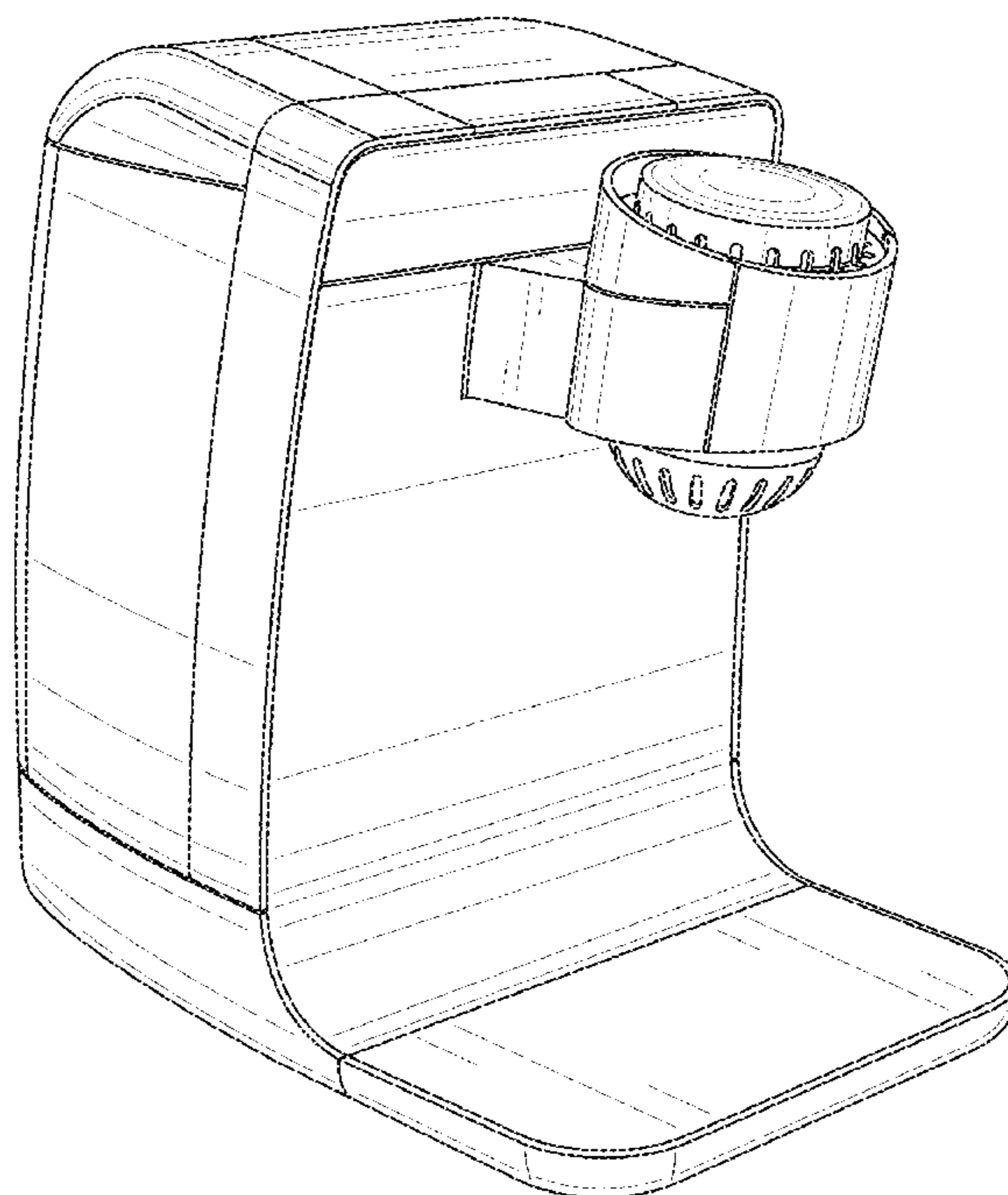
(57) **CLAIM**

The ornamental design for a beverage machine, as shown and  
described.

**DESCRIPTION**

FIG. 1 is a front perspective view of the beverage machine;  
FIG. 2 is a front view of the FIG. 1 embodiment;  
FIG. 3 is a right side view of the FIG. 1 embodiment;  
FIG. 4 is a top view of the FIG. 1 embodiment;  
FIG. 5 is a rear view of the FIG. 1 embodiment;  
FIG. 6 is a rear perspective view of the FIG. 1 embodiment;  
and,  
FIG. 7 is a left side view of the FIG. 1 embodiment.

**1 Claim, 7 Drawing Sheets**



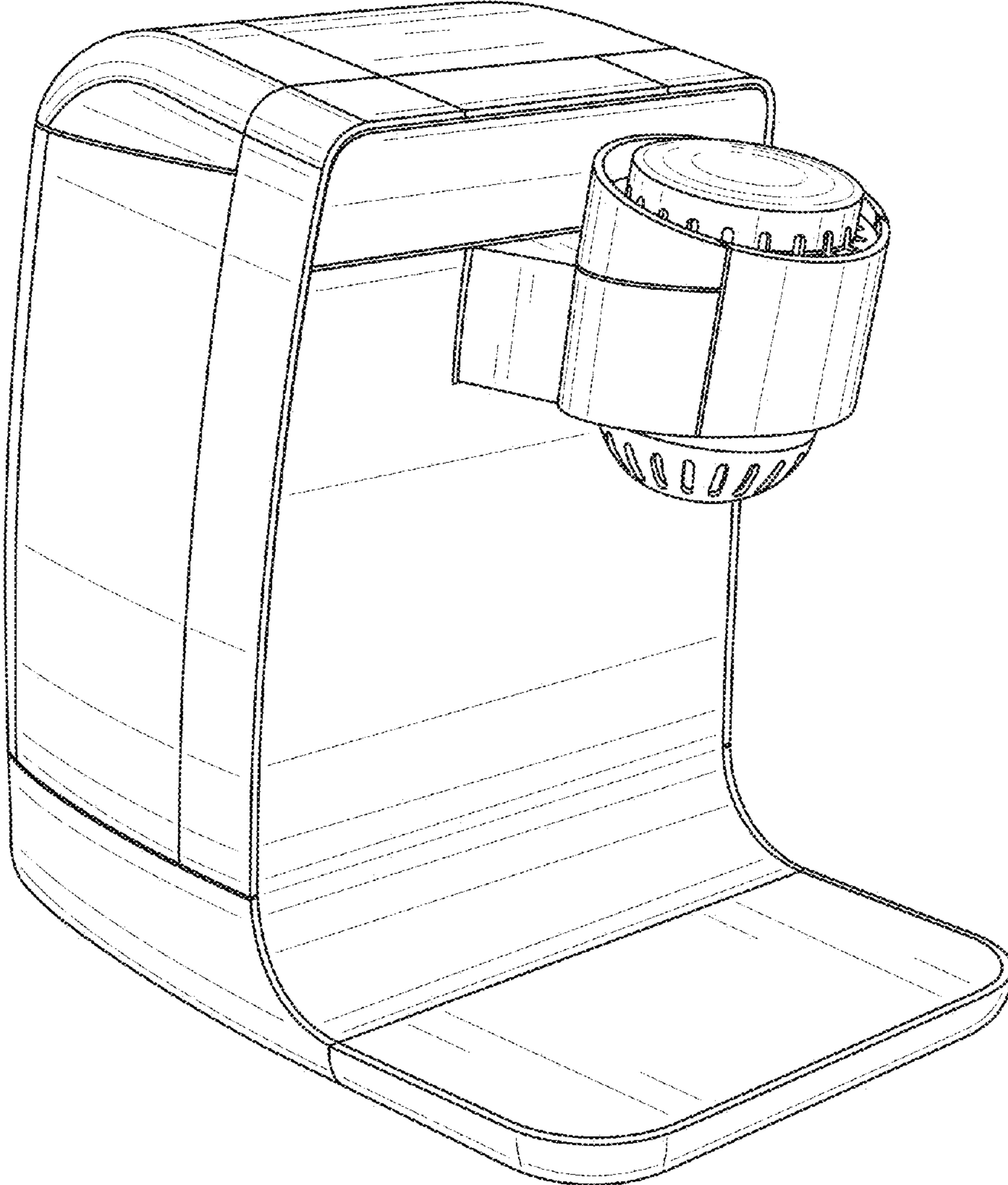


FIG. 1

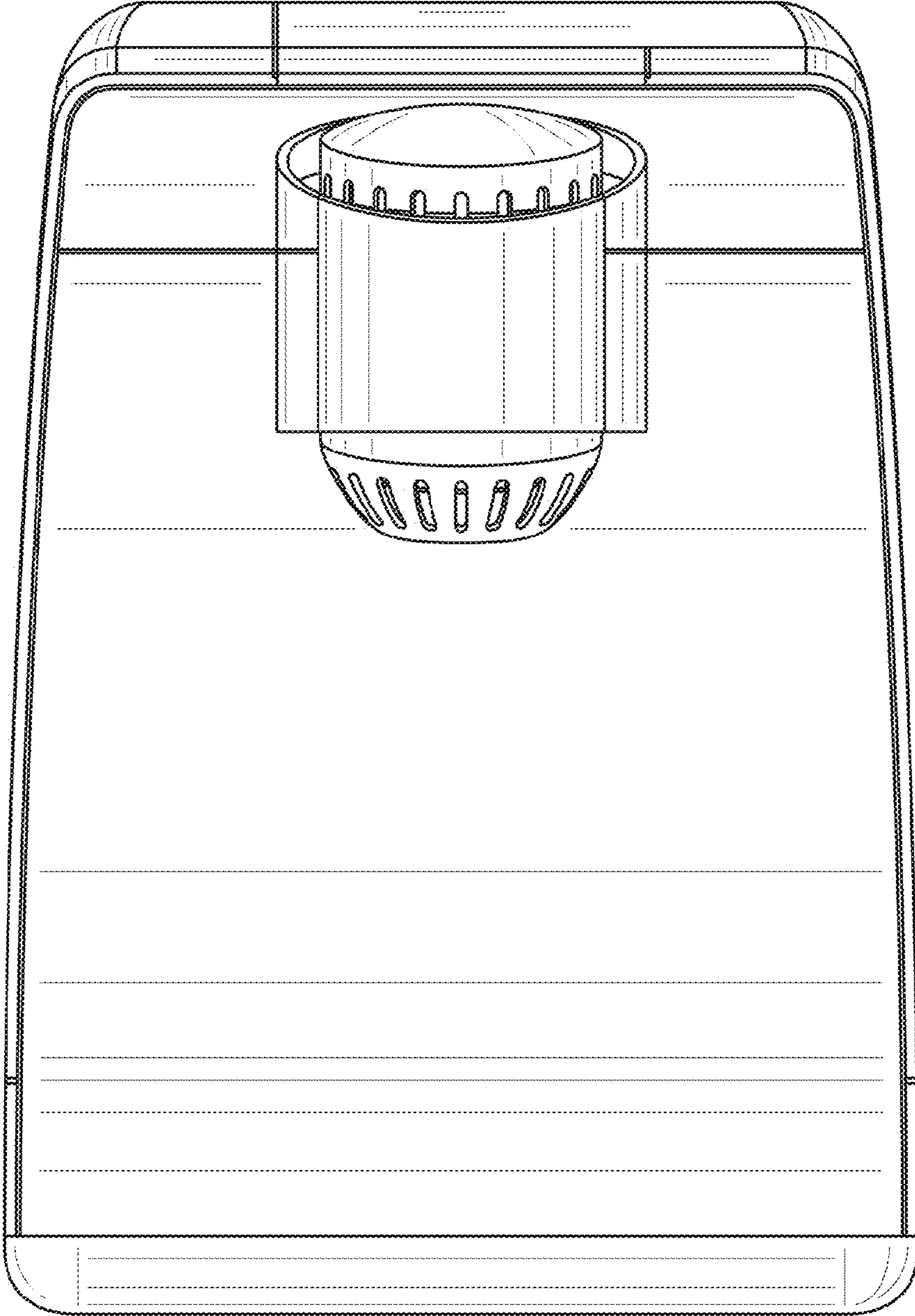


FIG. 2

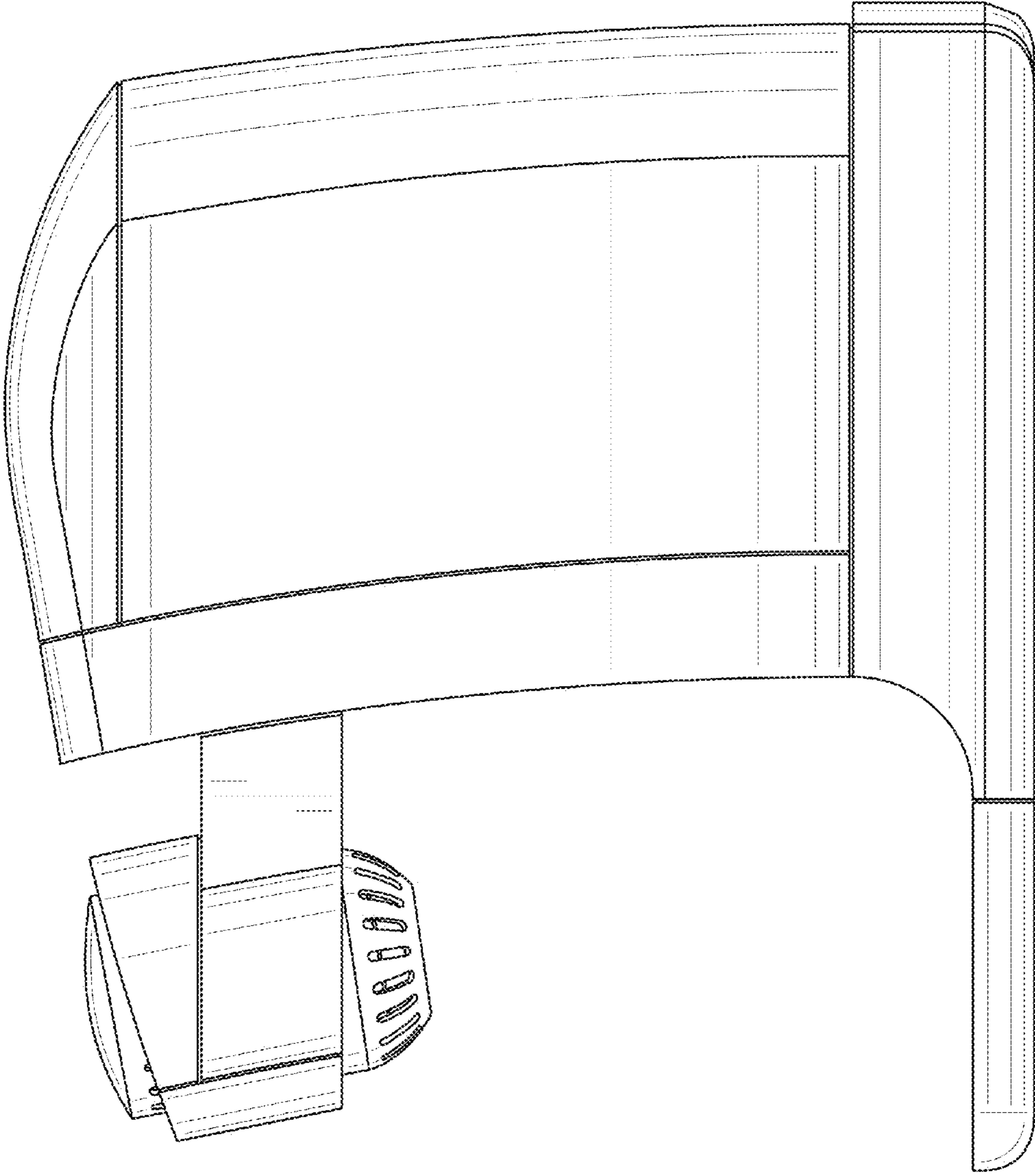


FIG. 3



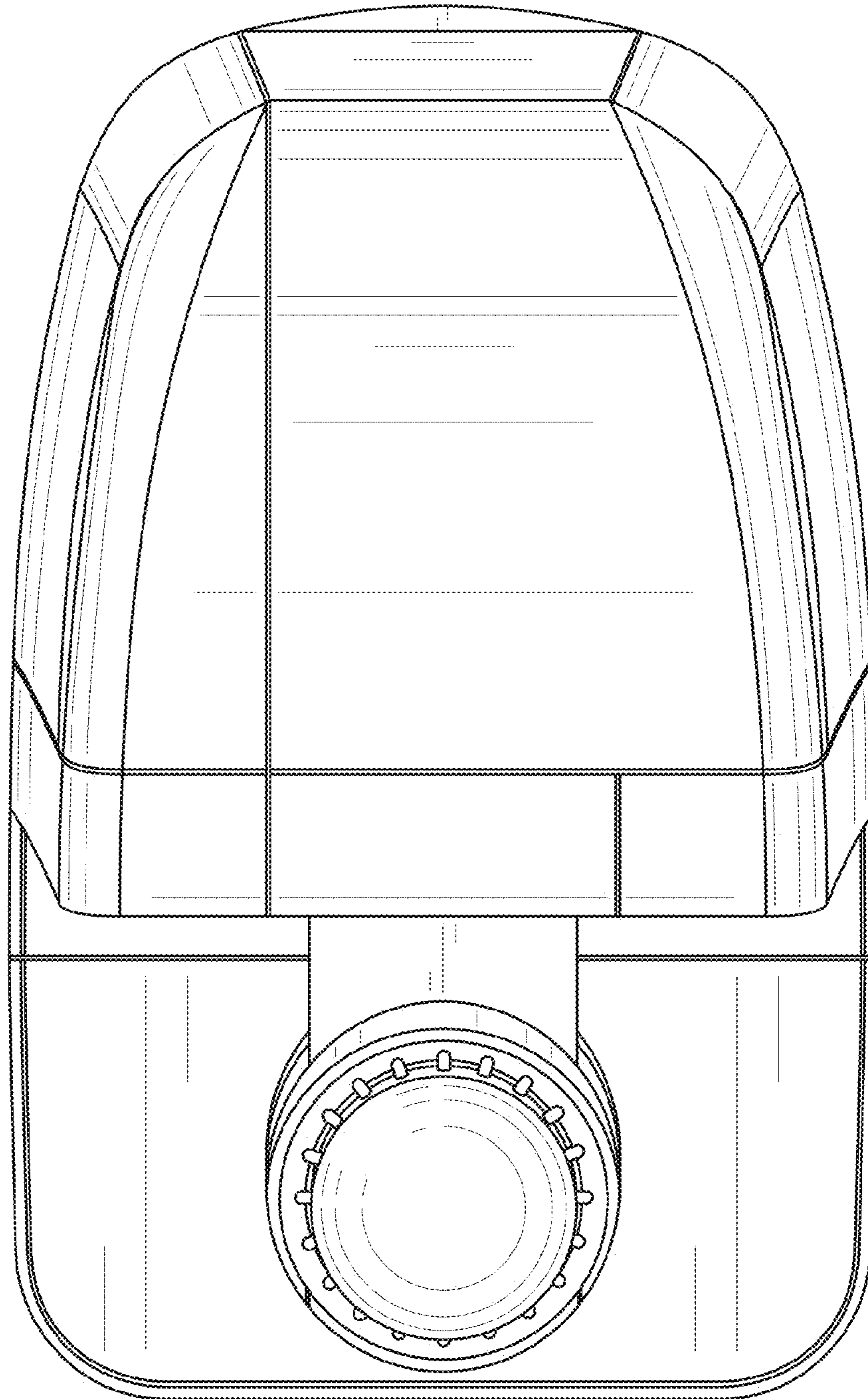


FIG. 4

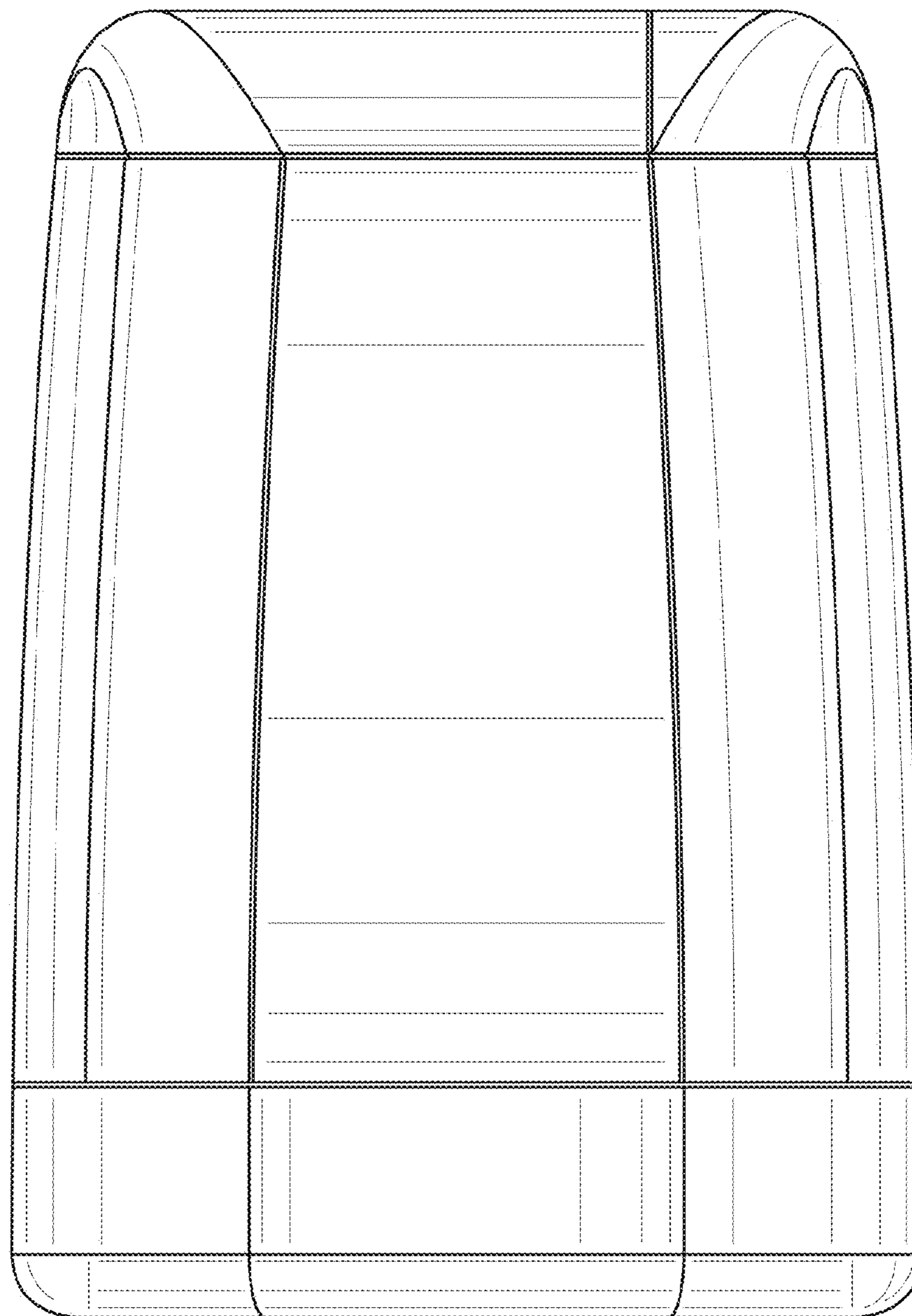


FIG. 5

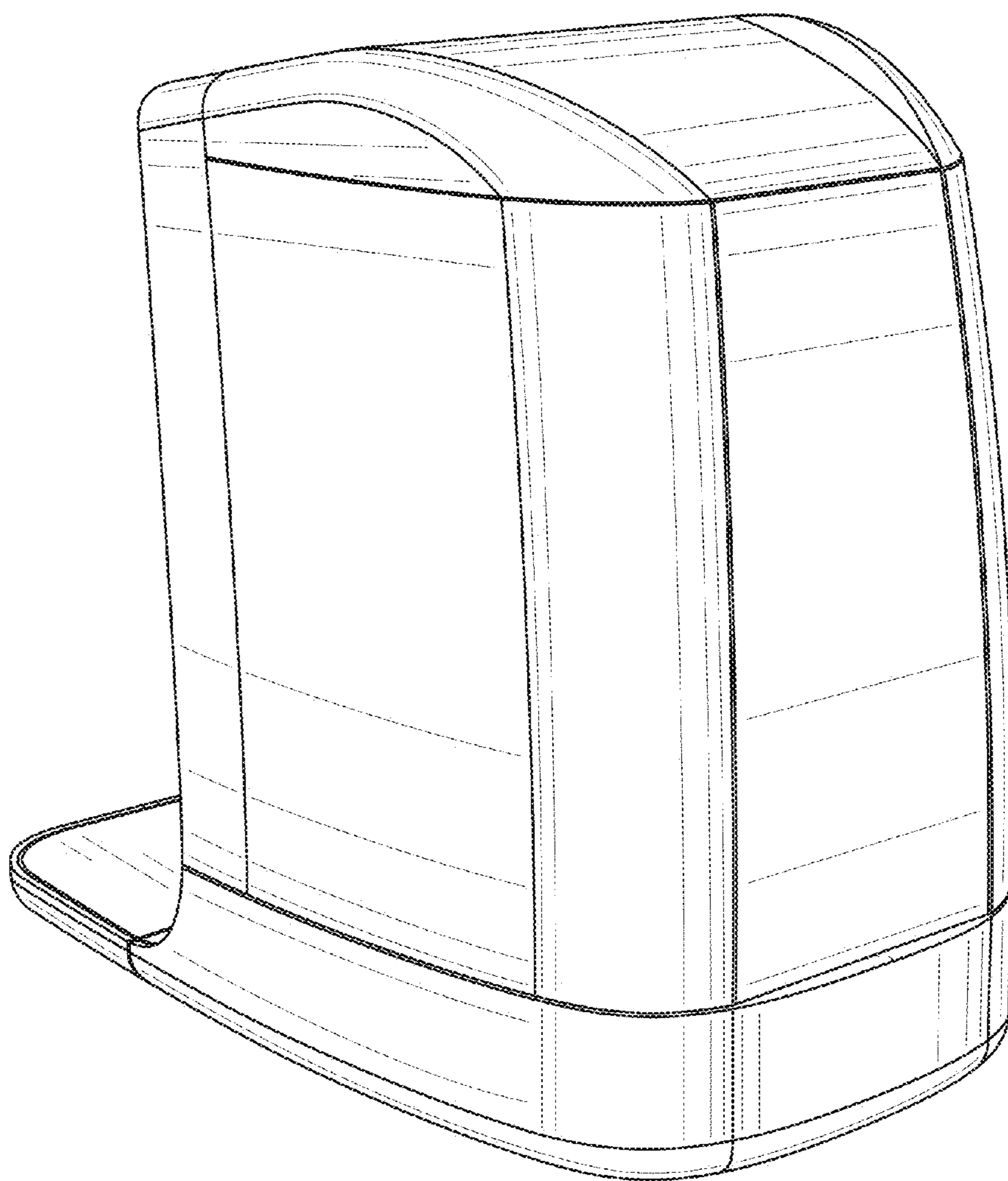


FIG. 6

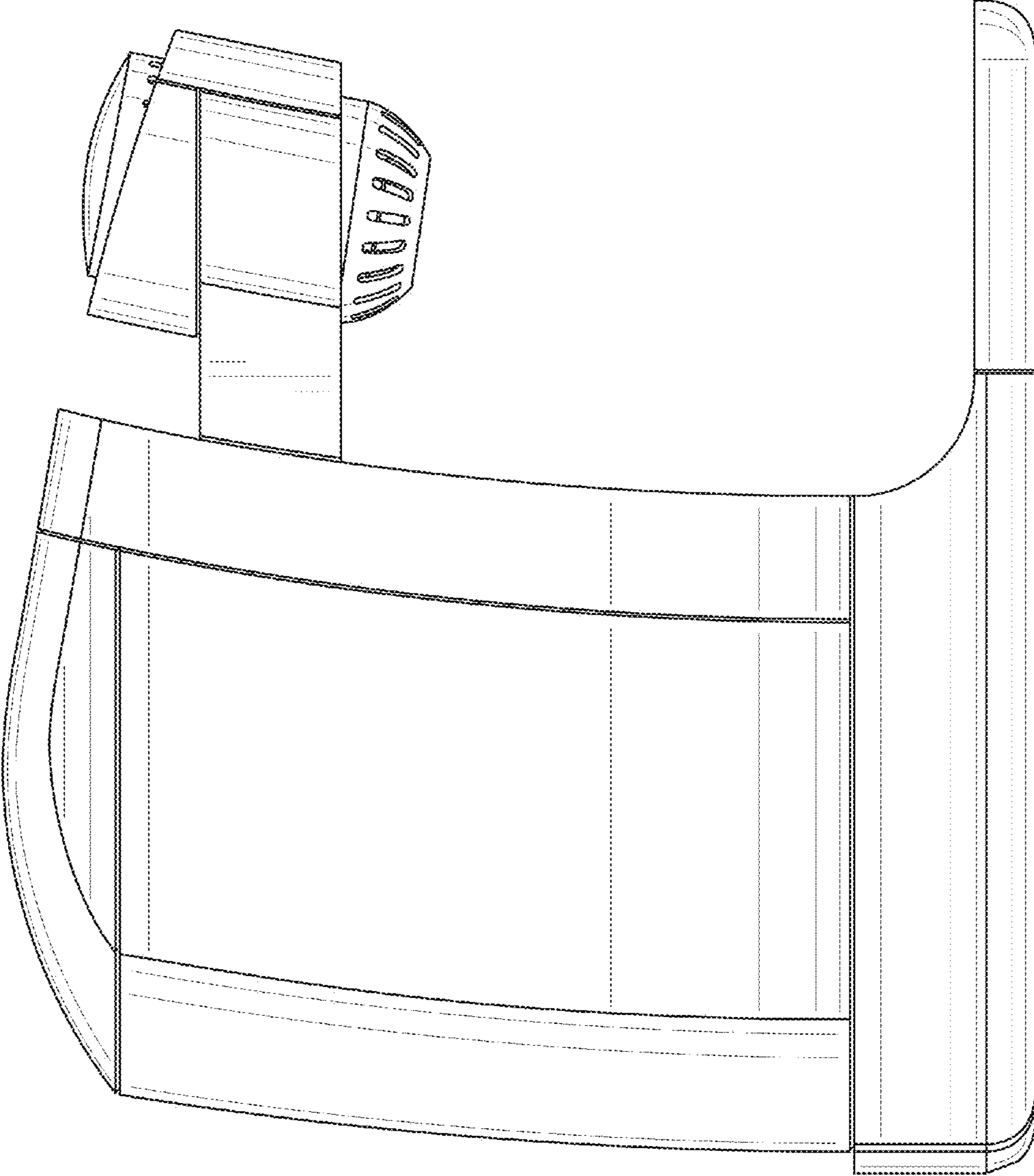


FIG. 7