

US00D720566S

(12) **United States Design Patent**  
**Giraldez**

(10) **Patent No.:** **US D720,566 S**  
(45) **Date of Patent:** **\*\* Jan. 6, 2015**

- (54) **COCKTAIL SHAKER**
  - (71) Applicant: **Brandon Giraldez**, Marina Del Rey, CA (US)
  - (72) Inventor: **Brandon Giraldez**, Marina Del Rey, CA (US)
  - (\*\*) Term: **14 Years**
  - (21) Appl. No.: **29/472,981**
  - (22) Filed: **Nov. 18, 2013**
  - (51) **LOC (10) Cl.** ..... **07-01**
  - (52) **U.S. Cl.**  
USPC ..... **D7/300.1; D7/510; D7/517; D9/623; D9/616**
  - (58) **Field of Classification Search**  
USPC ..... **D7/520, 517, 300.1, 515, 510, 511, 301, D7/302, 900, 901, 303; D9/614, 616, 618, D9/621, 623, 627, 622, 619; 220/903, 703; 215/387, 228**
- See application file for complete search history.

- D309,405 S \* 7/1990 Pierotti ..... D7/594
- D327,817 S \* 7/1992 Paullin ..... D7/515
- D330,857 S \* 11/1992 Kidd ..... D9/451
- D379,023 S \* 4/1997 August ..... D99/37
- D379,149 S \* 5/1997 Powell et al. .... D9/451
- 6,029,855 A \* 2/2000 Adams ..... 222/78
- D422,459 S \* 4/2000 Webb et al. .... D7/625
- D471,060 S \* 3/2003 Salsman ..... D7/392.1
- D483,982 S \* 12/2003 Irvine ..... D7/300.1
- D507,181 S \* 7/2005 Malik ..... D9/451
- D510,497 S \* 10/2005 Hou ..... D7/300.1
- D520,654 S \* 5/2006 Freeman et al. .... D26/16
- D604,984 S \* 12/2009 Kalamaras ..... D7/300.1
- D616,169 S \* 5/2010 Wolford et al. .... D34/4
- D619,408 S \* 7/2010 Hughes et al. .... D7/301
- D629,648 S \* 12/2010 McDonald ..... D7/398
- D654,752 S \* 2/2012 Krasner ..... D7/300.1
- D661,535 S \* 6/2012 Hughes et al. .... D7/301
- D661,537 S \* 6/2012 Hughes et al. .... D7/301
- D663,575 S \* 7/2012 Carroll et al. .... D7/392.1
- D673,811 S \* 1/2013 Roudybush ..... D7/510
- D694,116 S \* 11/2013 Spivey ..... D9/623
- 8,701,907 B1 \* 4/2014 Mallicoat ..... 215/228
- D710,651 S \* 8/2014 Obioha ..... D7/515

\* cited by examiner

*Primary Examiner* — Marianne Pandozzi  
(74) *Attorney, Agent, or Firm* — Michael N. Cohen; Cohen IP Law Group P.C.

(56) **References Cited**

U.S. PATENT DOCUMENTS

- D99,333 S \* 4/1936 Rowse ..... D9/623
- D150,854 S \* 9/1948 Herrera, Jr. .... D9/616
- D152,634 S \* 2/1949 Mayfield ..... D9/619
- D216,674 S \* 3/1970 Saji ..... D9/616
- D216,867 S \* 3/1970 Aslin ..... D9/619
- D217,122 S \* 4/1970 Segesman ..... D9/619
- D217,123 S \* 4/1970 Segesman ..... D9/619
- D217,124 S \* 4/1970 Segesman ..... D9/619
- D217,125 S \* 4/1970 Segesman ..... D9/619
- D217,126 S \* 4/1970 Lammert ..... D9/619
- D217,127 S \* 4/1970 Lammert ..... D9/619
- D265,043 S \* 6/1982 Wei ..... D7/300.1
- D282,339 S \* 1/1986 Wei ..... D7/606
- D289,610 S \* 5/1987 Neyer ..... D9/632
- 4,867,214 A \* 9/1989 Fuller ..... 428/35.8
- D309,404 S \* 7/1990 Pierotti ..... D7/594

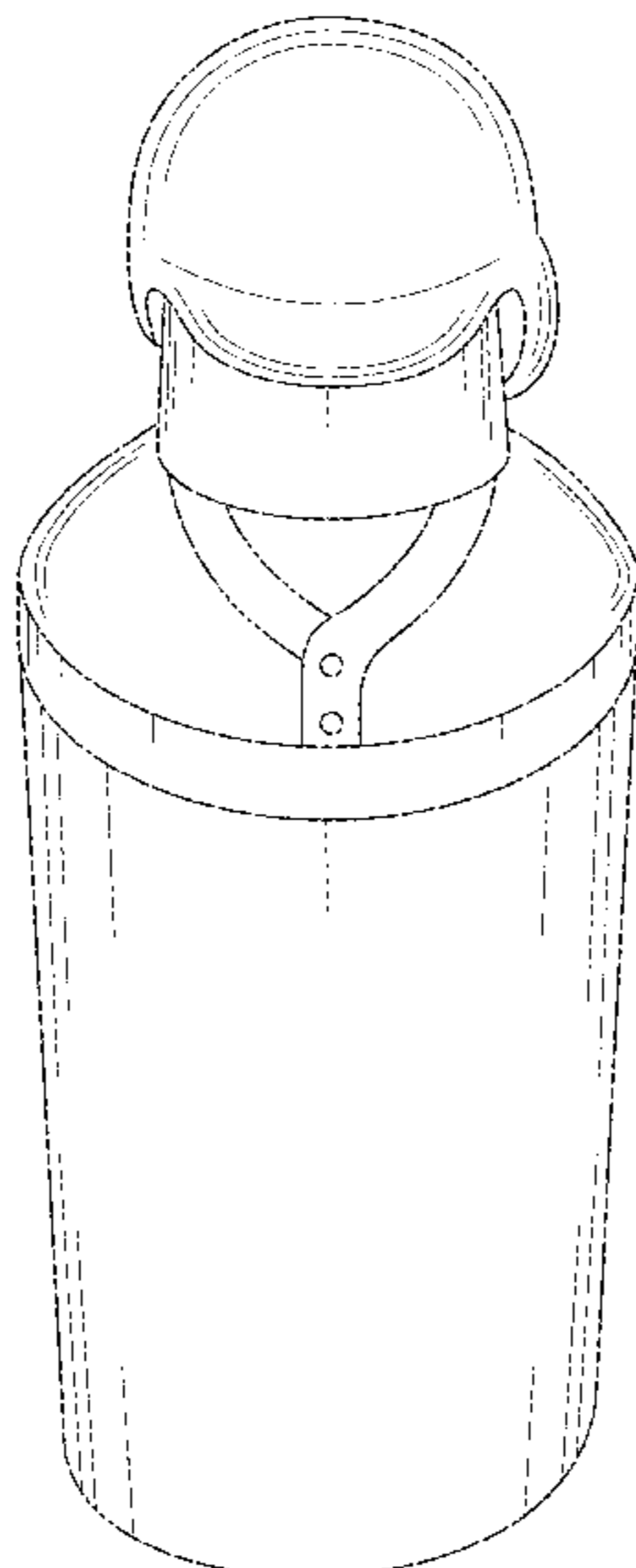
(57) **CLAIM**

I claim the ornamental design for the cocktail shaker, as shown and described.

**DESCRIPTION**

FIG. 1 is a front perspective view of the cocktail shaker;  
FIG. 2 is a front view of FIG. 1;  
FIG. 3 is a back view of FIG. 1;  
FIG. 4 is a right side view of FIG. 1;  
FIG. 5 is a left side view of FIG. 1;  
FIG. 6 is a top view of FIG. 1; and,  
FIG. 7 is a bottom view of FIG. 1.

**1 Claim, 6 Drawing Sheets**



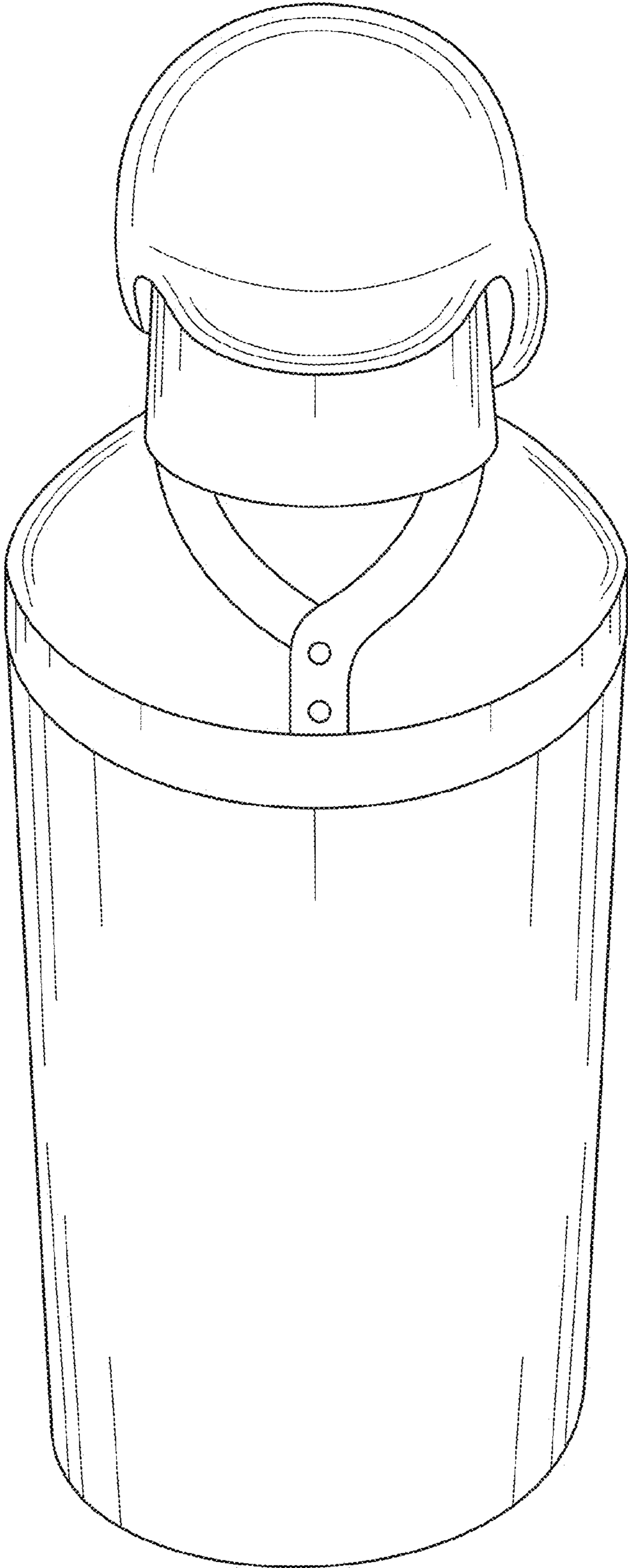


FIG. 1

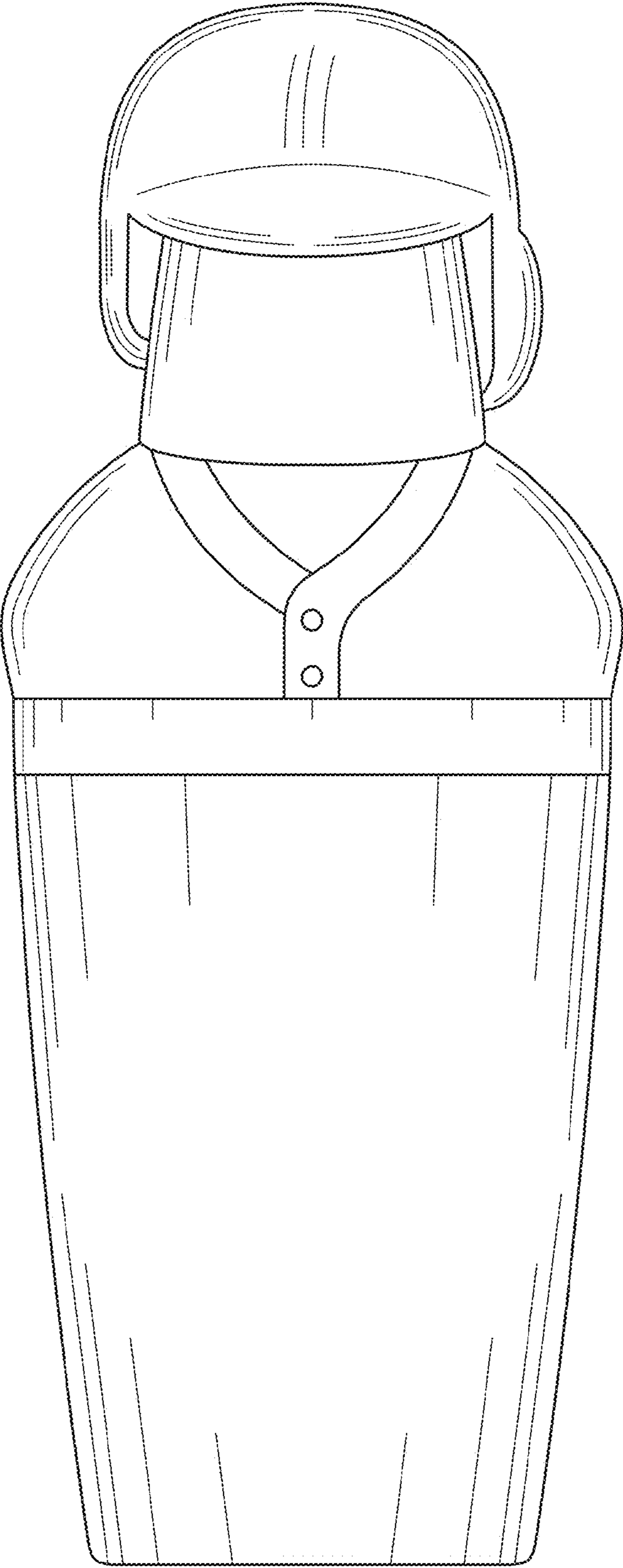


FIG. 2

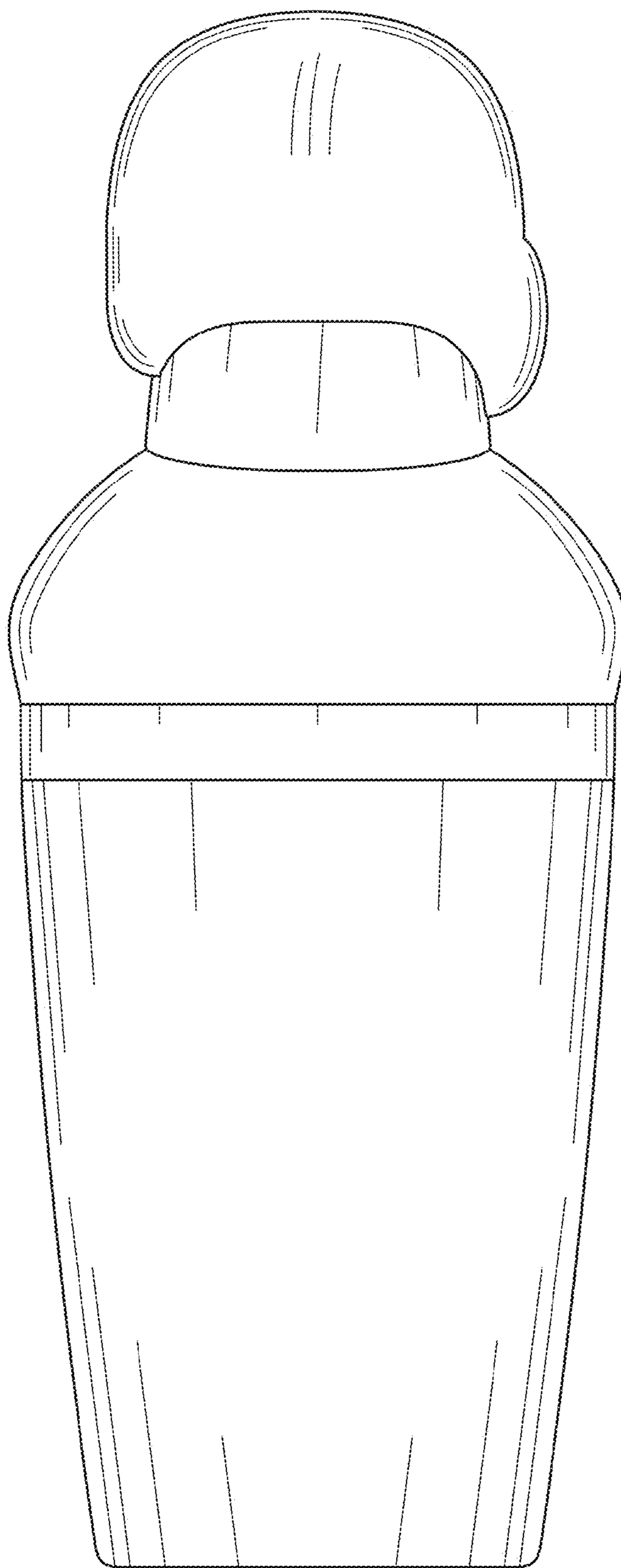


FIG. 3

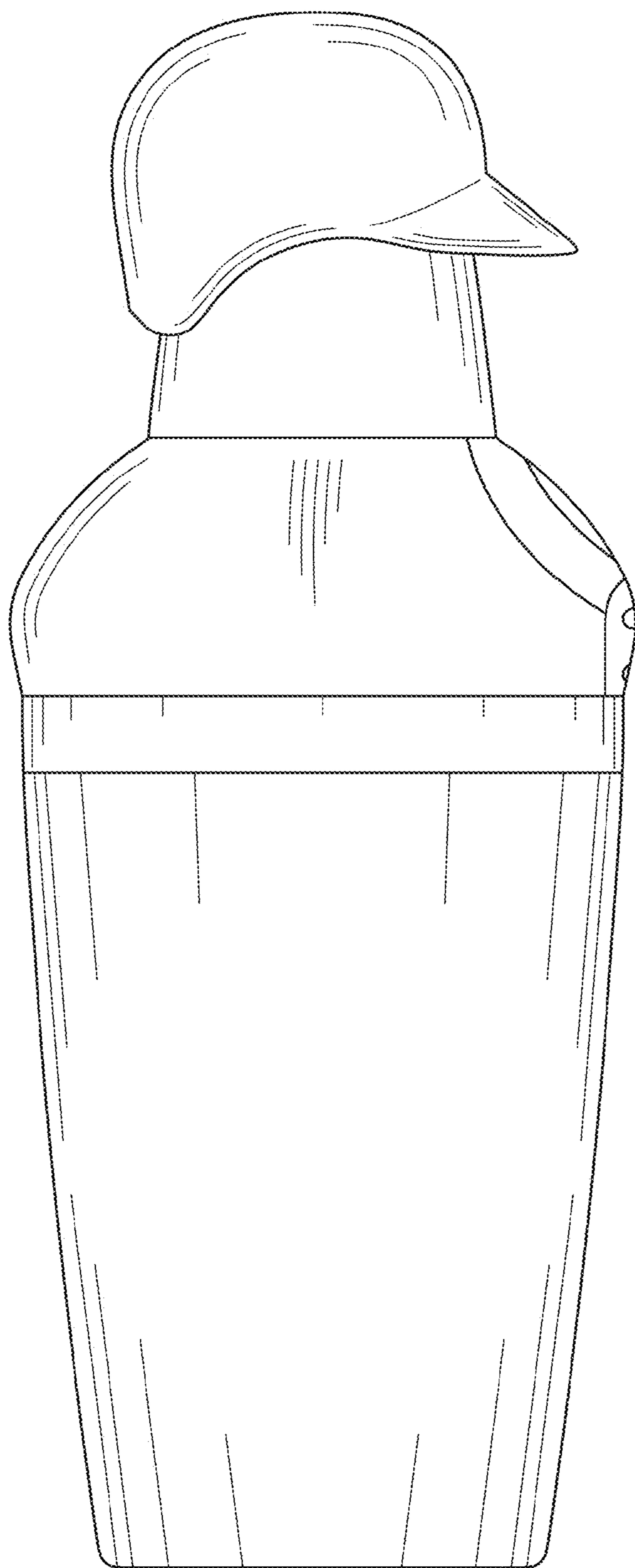


FIG. 4

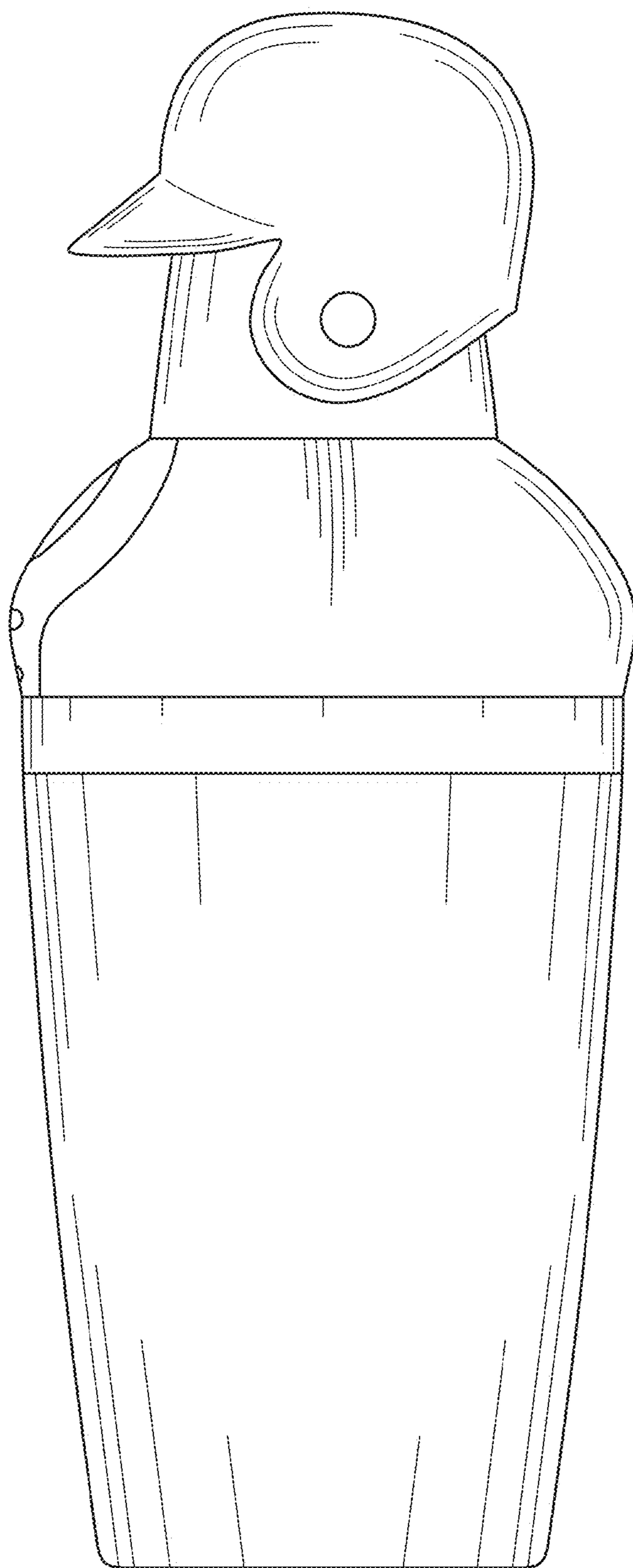


FIG. 5

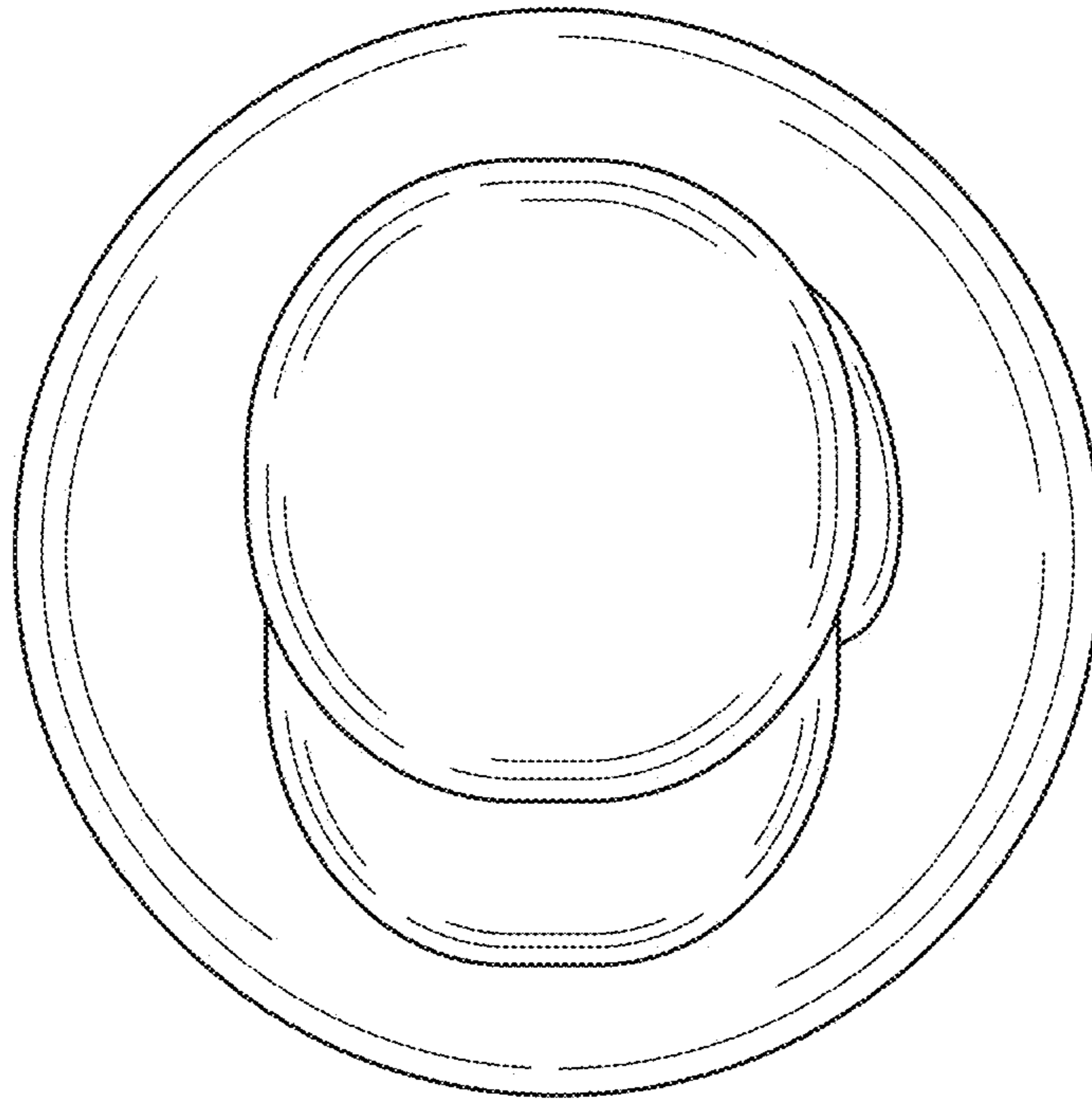


FIG. 6

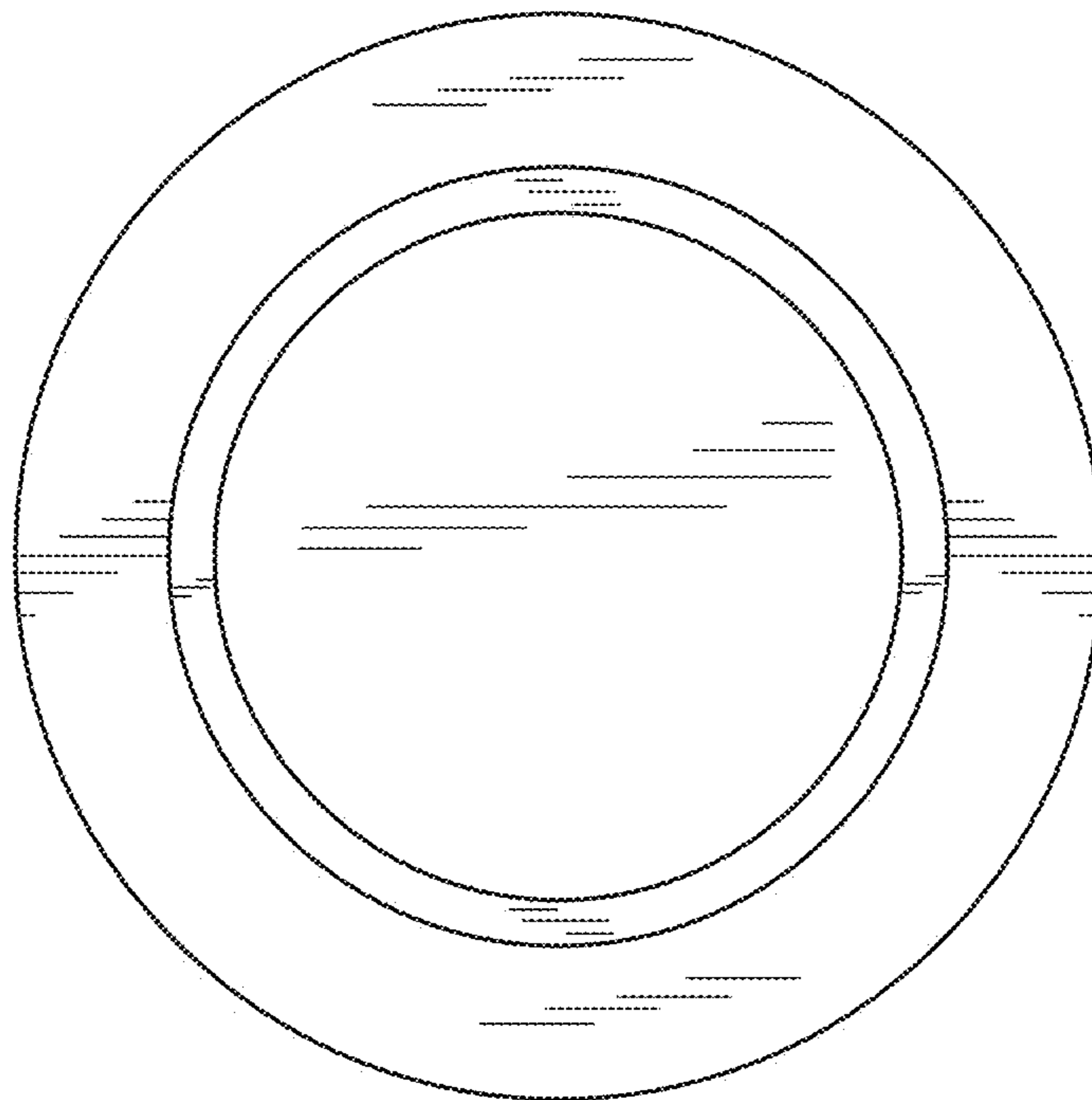


FIG. 7