



US00D720564S

(12) **United States Design Patent**  
**Buller**

(10) **Patent No.:** **US D720,564 S**

(45) **Date of Patent:** **\*\* Jan. 6, 2015**

(54) **GAME CONTROLLER STAND**

(71) Applicant: **Jonathan Blake Buller**, Temecula, CA  
(US)

(72) Inventor: **Jonathan Blake Buller**, Temecula, CA  
(US)

(\*\*) Term: **14 Years**

(21) Appl. No.: **29/482,005**

(22) Filed: **Feb. 12, 2014**

(51) **LOC (10) Cl.** ..... **06-06**

(52) **U.S. Cl.**  
USPC ..... **D6/682**

(58) **Field of Classification Search**  
USPC ..... D6/407, 449-450, 456, 459, 466-467,  
D6/468, 469, 475-476, 479, 672, 673,  
D6/682; D14/251, 253; 211/13.1,  
211/85.1-85.2, 85.6, 26.1, 36-39, 40, 41.1,  
211/41.12, 85, 85.18, 164, 119.003

See application file for complete search history.

(56) **References Cited**

**U.S. PATENT DOCUMENTS**

D252,899 S	9/1979	Campbell	
D273,165 S	3/1984	Sternberg	
D278,102 S	3/1985	Wagner, Jr.	
D281,657 S	12/1985	Roczey	
D287,365 S *	12/1986	Judd	D14/447
D316,347 S	4/1991	Getto	
D320,027 S	9/1991	Mintz et al.	
D330,147 S *	10/1992	Garber	D7/619.1
D332,360 S	1/1993	Golds	
D337,762 S	7/1993	Crane	
D338,453 S	8/1993	Martin	
D351,147 S	10/1994	Hill	
D361,452 S	8/1995	Neylon	
D363,619 S	10/1995	Karnaze	
D368,605 S	4/1996	Lechleiter	

D371,220 S *	6/1996	Behrens	D28/38
D391,098 S	2/1998	Northrop	
D411,824 S *	7/1999	Wilson et al.	D13/108
D435,253 S *	12/2000	Oden et al.	D14/253
D468,305 S *	1/2003	Ma et al.	D14/253
D469,073 S *	1/2003	Muenschler et al.	D14/149
D489,412 S *	5/2004	Hsu	D19/75
D501,191 S *	1/2005	Siebke	D14/149
D501,617 S	2/2005	Katz	
D502,913 S *	3/2005	Fukami et al.	D13/108
D510,208 S *	10/2005	Klimas	D6/466
D523,809 S *	6/2006	Roth et al.	D13/108
D529,440 S *	10/2006	Lodato et al.	D13/108
D532,746 S *	11/2006	Meyers et al.	D13/108
D540,802 S *	4/2007	Hussaini et al.	D14/434

(Continued)

*Primary Examiner* — Kelley Donnelly

(74) *Attorney, Agent, or Firm* — Kirk A. Buhler; Buhler & Associates

(57) **CLAIM**

The ornamental design for a game controller stand, as shown and described.

**DESCRIPTION**

FIG. 1 is a top perspective view for a game controller stand with the support tab open showing my new design;

FIG. 2 is a left side view with the support tab open, the right side view being a mirror image thereof;

FIG. 3 is a right side view with the support tab closed, the left side view being a mirror image thereof;

FIG. 4 is a front side view with the support tab open thereof;

FIG. 5 is a top side view with the support tab open thereof;

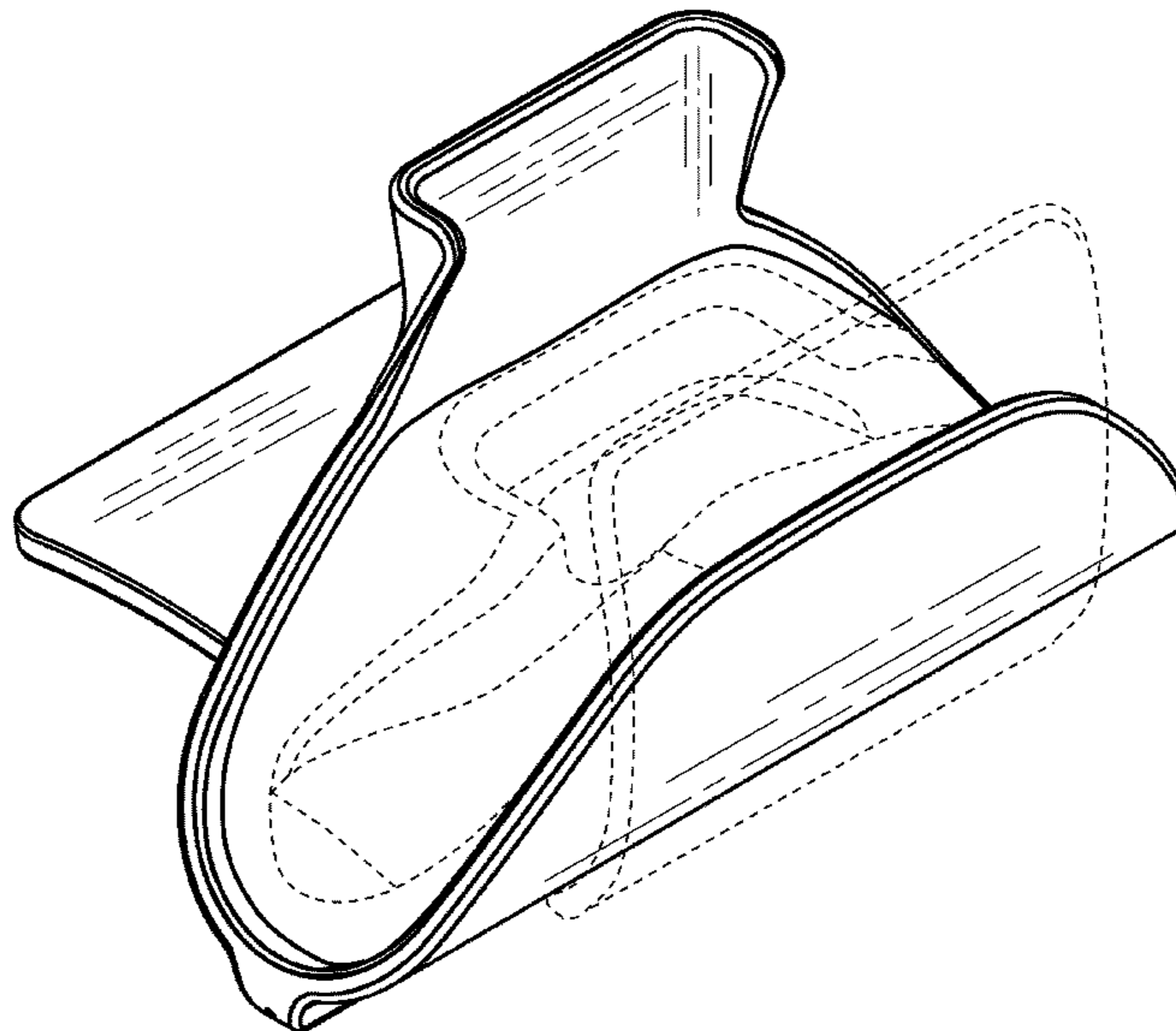
FIG. 6 is a bottom side view with the support tab open thereof;

and,

FIG. 7 is a rear side view with the support tab open thereof.

The broken lines in FIGS. 1 through 5 and 7 are for the purpose of illustrating the environment of the article only and forms no part of the claimed design.

**1 Claim, 5 Drawing Sheets**



(56)

**References Cited**

U.S. PATENT DOCUMENTS

D545,319 S *	6/2007	Griffin .....	D14/434	D636,395 S *	4/2011	Anderson et al. ....	D14/434
D549,707 S *	8/2007	Depay .....	D14/434	7,942,747 B2	5/2011	Cole	
D568,809 S *	5/2008	Izumo et al. ....	D13/108	D647,525 S *	10/2011	Seto .....	D14/434
D574,375 S *	8/2008	Prest et al. ....	D14/253	D647,881 S *	11/2011	Warner .....	D14/217
D615,491 S *	5/2010	Emminger .....	D13/108	D652,795 S *	1/2012	Attanasio .....	D13/118
D626,558 S *	11/2010	Julien .....	D14/434	D666,025 S *	8/2012	Cobbett et al. ....	D6/466
D634,708 S *	3/2011	Cowan et al. ....	D13/108	D674,381 S *	1/2013	Ma .....	D14/253
				D675,323 S *	1/2013	Spainhower .....	D24/180
				D702,064 S *	4/2014	Ho .....	D6/682.4

\* cited by examiner

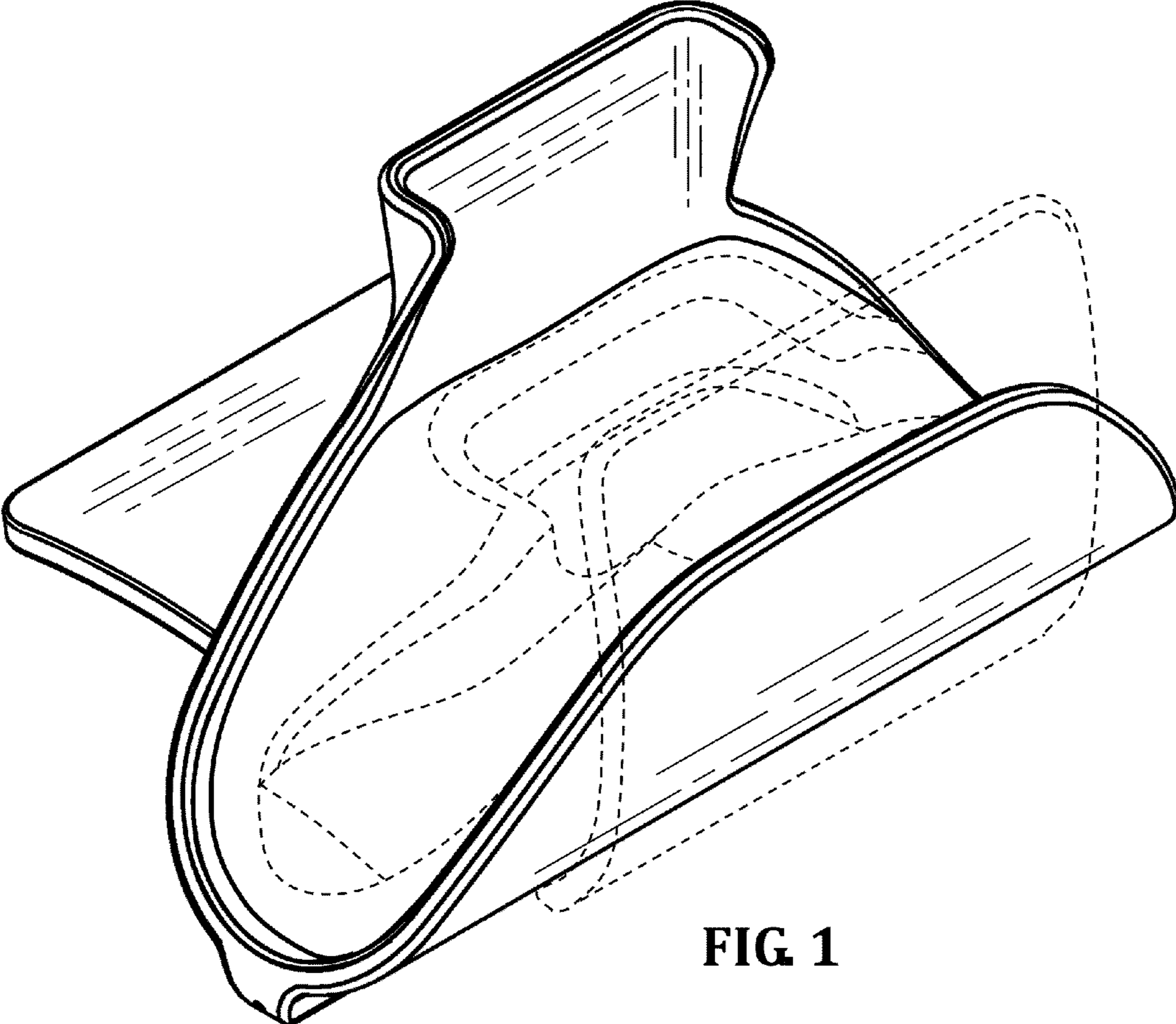
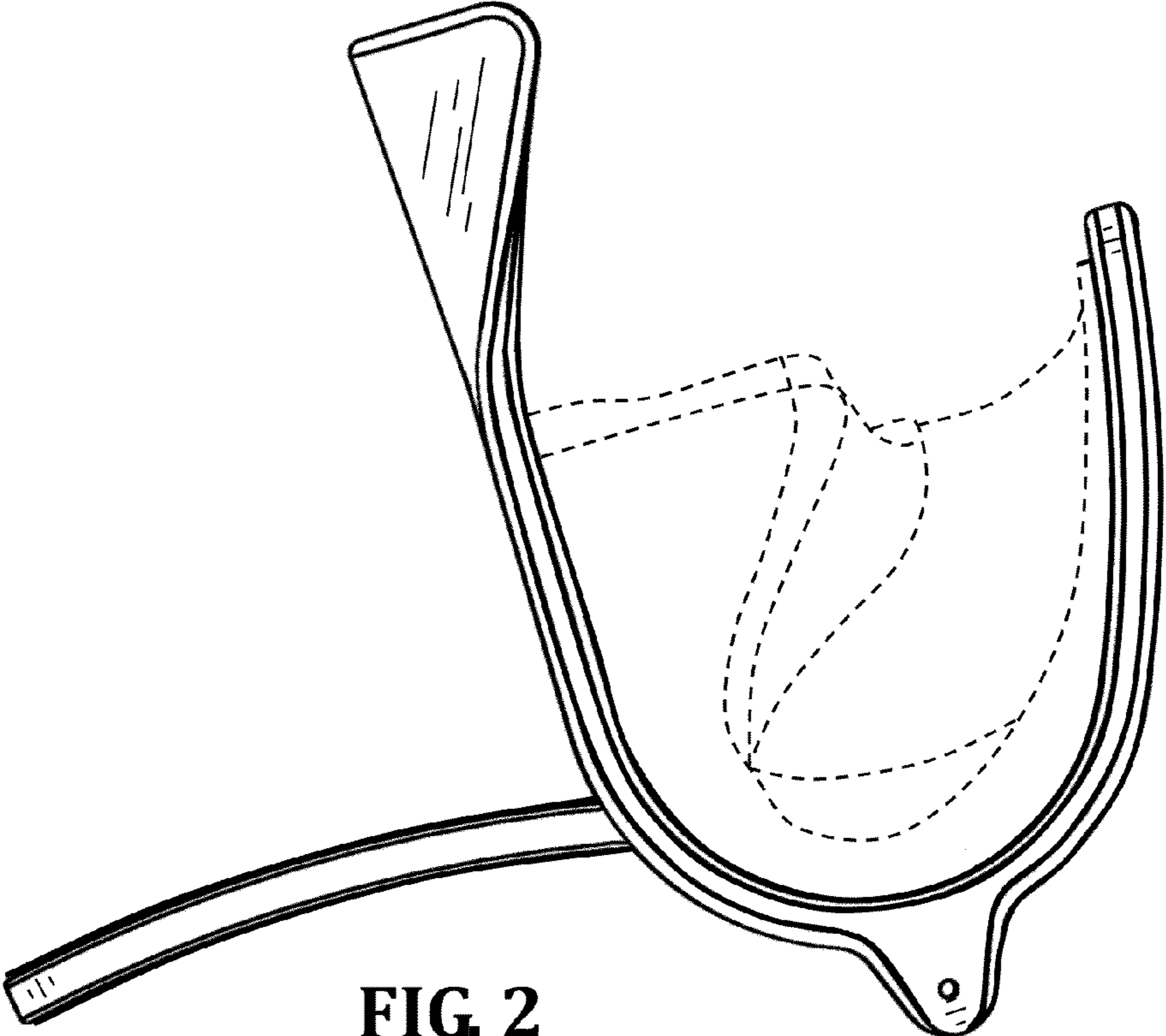
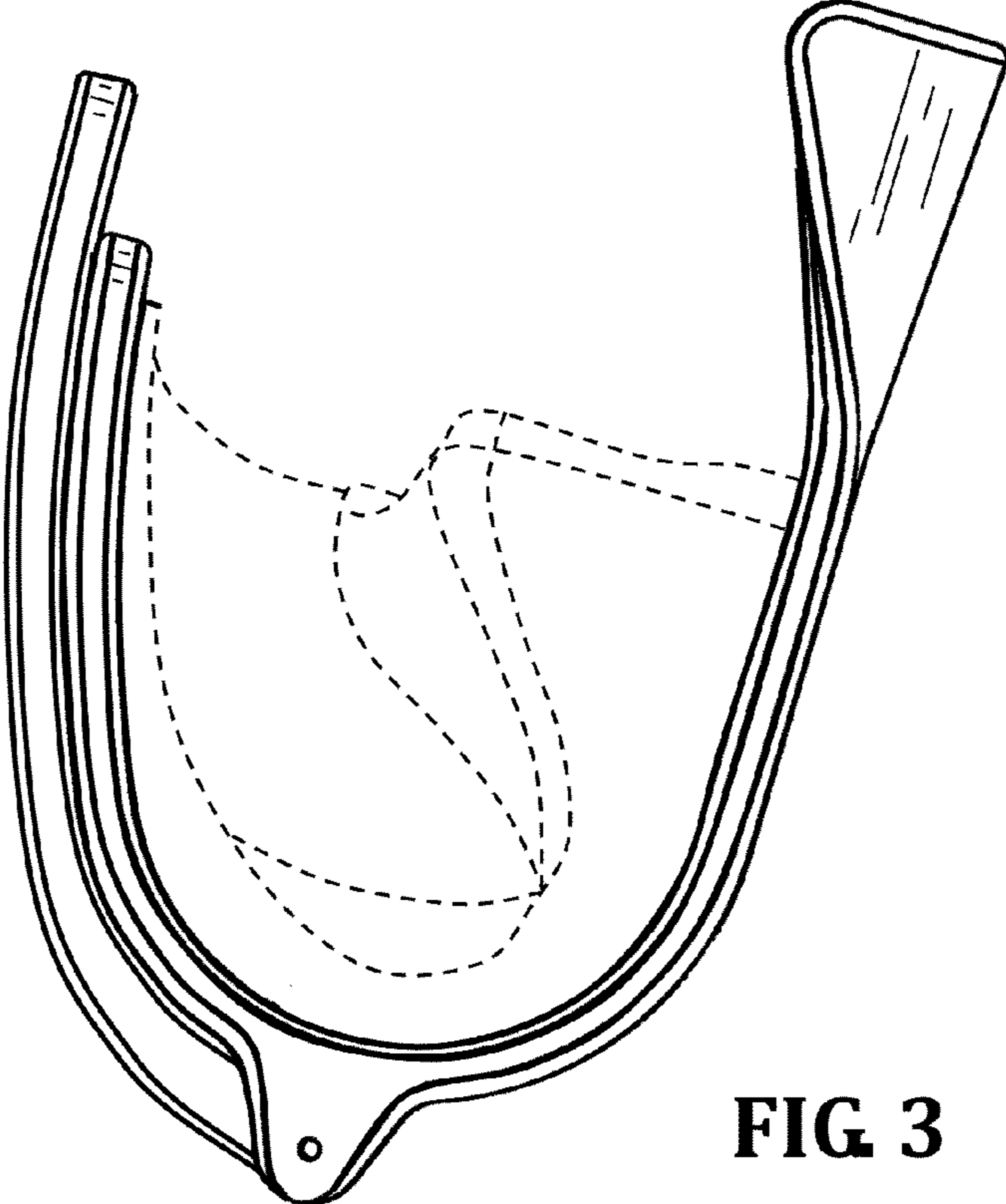


FIG 1



**FIG 2**



**FIG 3**

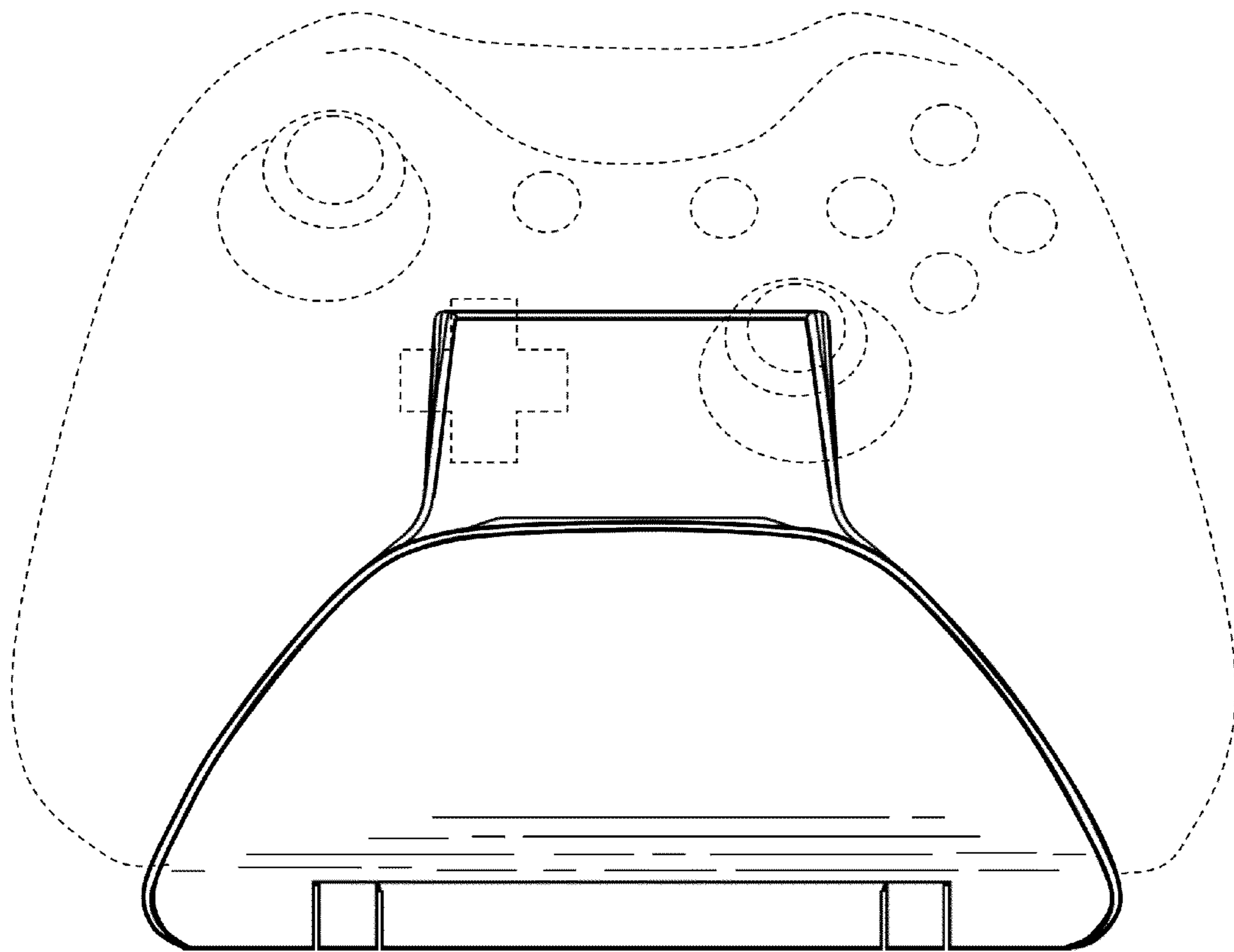
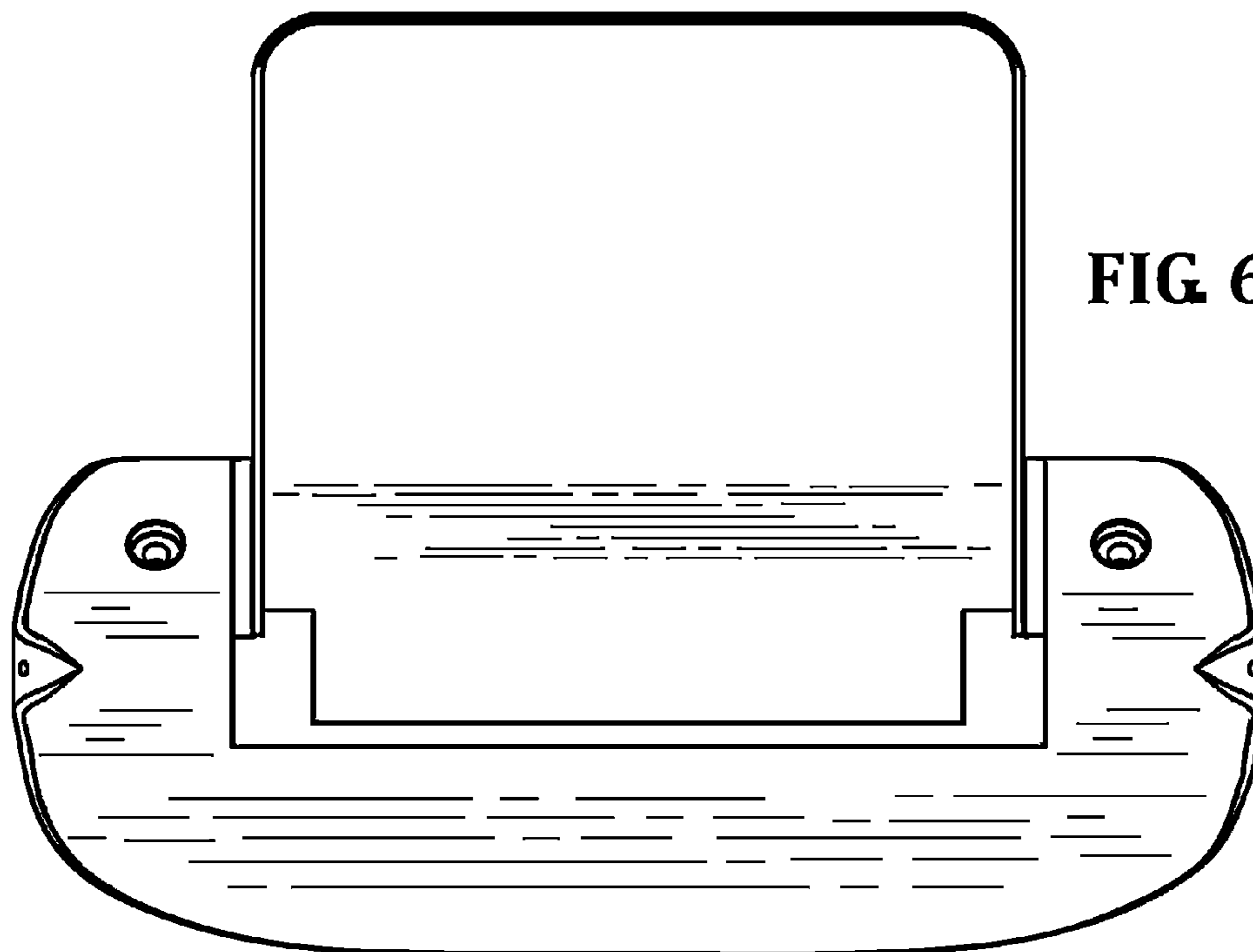
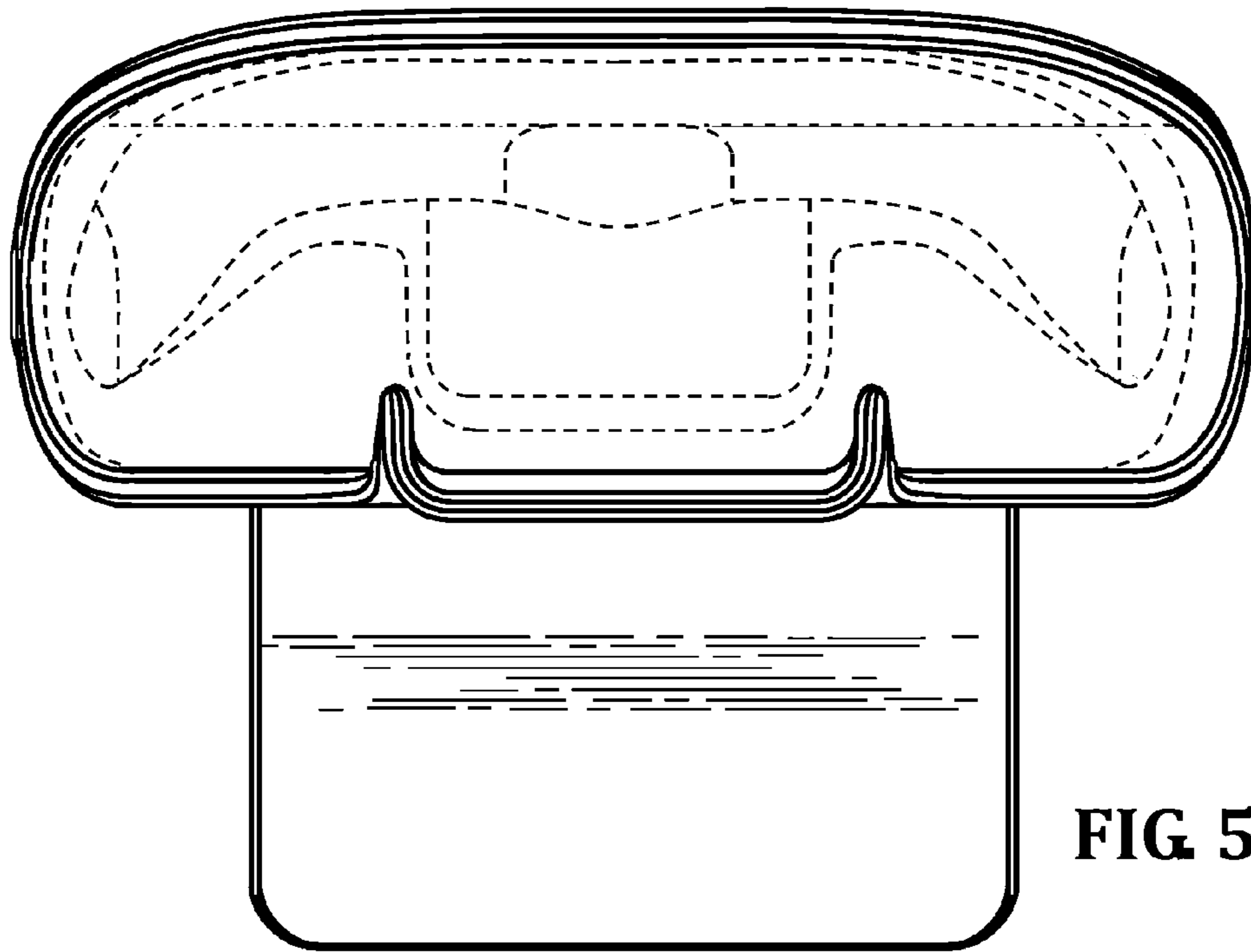


FIG. 4



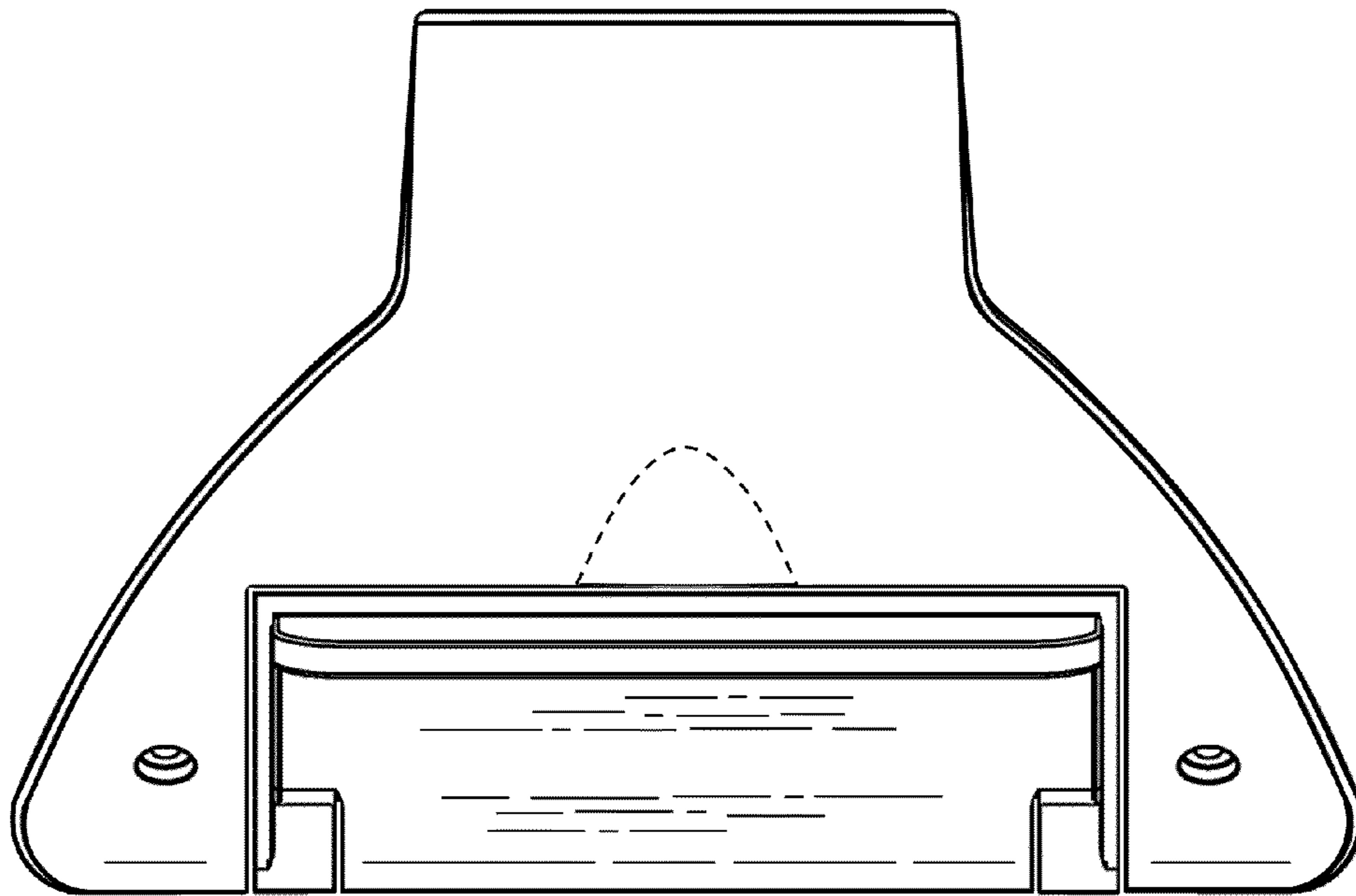


FIG 7