



US00D720559S

(12) **United States Design Patent**  
**Pitti**

(10) **Patent No.:** **US D720,559 S**  
(45) **Date of Patent:** **\*\* Jan. 6, 2015**

(54) **MEMORABILIA HOME PLATE DISPLAY CASE**

(71) Applicant: **Anthony Pitti**, Shirley, NY (US)

(72) Inventor: **Anthony Pitti**, Shirley, NY (US)

(\*\*) Term: **14 Years**

(21) Appl. No.: **29/442,039**

(22) Filed: **Nov. 19, 2012**

(51) **LOC (10) Cl.** ..... **06-04**

(52) **U.S. Cl.**  
USPC ..... **D6/661**

(58) **Field of Classification Search**  
USPC ..... D3/238; D6/332, 396, 552, 553,  
D6/556-570, 652, 661, 661.1; D7/551.1;  
D11/81; D19/90; D21/780; 206/315.9;  
211/85.2, 95, 163; 312/125, 138.1,  
312/204, 217, 224, 234, 245, 257.1, 265.3,  
312/265.6, 293.2

See application file for complete search history.

(56) **References Cited**

**U.S. PATENT DOCUMENTS**

D57,968 S	5/1921	Goodale	
D141,503 S	6/1945	Preis	
D192,526 S	4/1962	Hyatt et al.	
3,134,484 A	5/1964	Cox et al.	
D252,938 S	9/1979	Binderup	
D257,310 S	10/1980	Cosmopulos	
4,350,249 A	9/1982	Caston	
D284,824 S	7/1986	Marshall	
4,848,562 A	7/1989	Liu	
D318,198 S *	7/1991	Francetic	D6/470
D322,758 S	12/1991	Haire	
D338,596 S *	8/1993	Cafarella et al.	D7/551.1
D339,259 S *	9/1993	Kocon	D6/552
D346,520 S	5/1994	Barfield	
D363,184 S	10/1995	Elhage	
D363,193 S	10/1995	Rostkowski, Jr.	
D366,798 S	2/1996	Messersmith	
D386,925 S	12/1997	Hogan	

6,016,910 A *	1/2000	Rodearmel	206/315.9
D425,352 S *	5/2000	Paskan	D6/552
D430,755 S *	9/2000	Simmons	D6/470
D431,950 S	10/2000	Richardson	
D462,091 S *	8/2002	Lowder	D19/90
D462,832 S	9/2002	Lowder	
D478,953 S *	8/2003	Nobriga	D21/780
D479,077 S	9/2003	Ginsburg	

(Continued)

*Primary Examiner* — Ricky Pham

(74) *Attorney, Agent, or Firm* — Alfred M. Walker

(57) **CLAIM**

The ornamental design for a memorabilia home plate display case, as shown and described.

**DESCRIPTION**

FIG. 1 is an overall perspective view of the memorabilia home plate display case, showing commemorative pins displayed herein;

FIG. 2 is a front elevation view thereof;

FIGS. 3 and 4 are top and bottom views thereof, respectively;

FIG. 5 is a rear view;

FIGS. 6 and 7 are left and right side elevation views thereof, respectively;

FIG. 8 is an alternate embodiment for the memorabilia home plate display case, showing commemorative pins displayed therein;

FIG. 9 is a front elevation view of the alternate embodiment; FIGS. 10 and 11 are top and bottom views thereof, respectively;

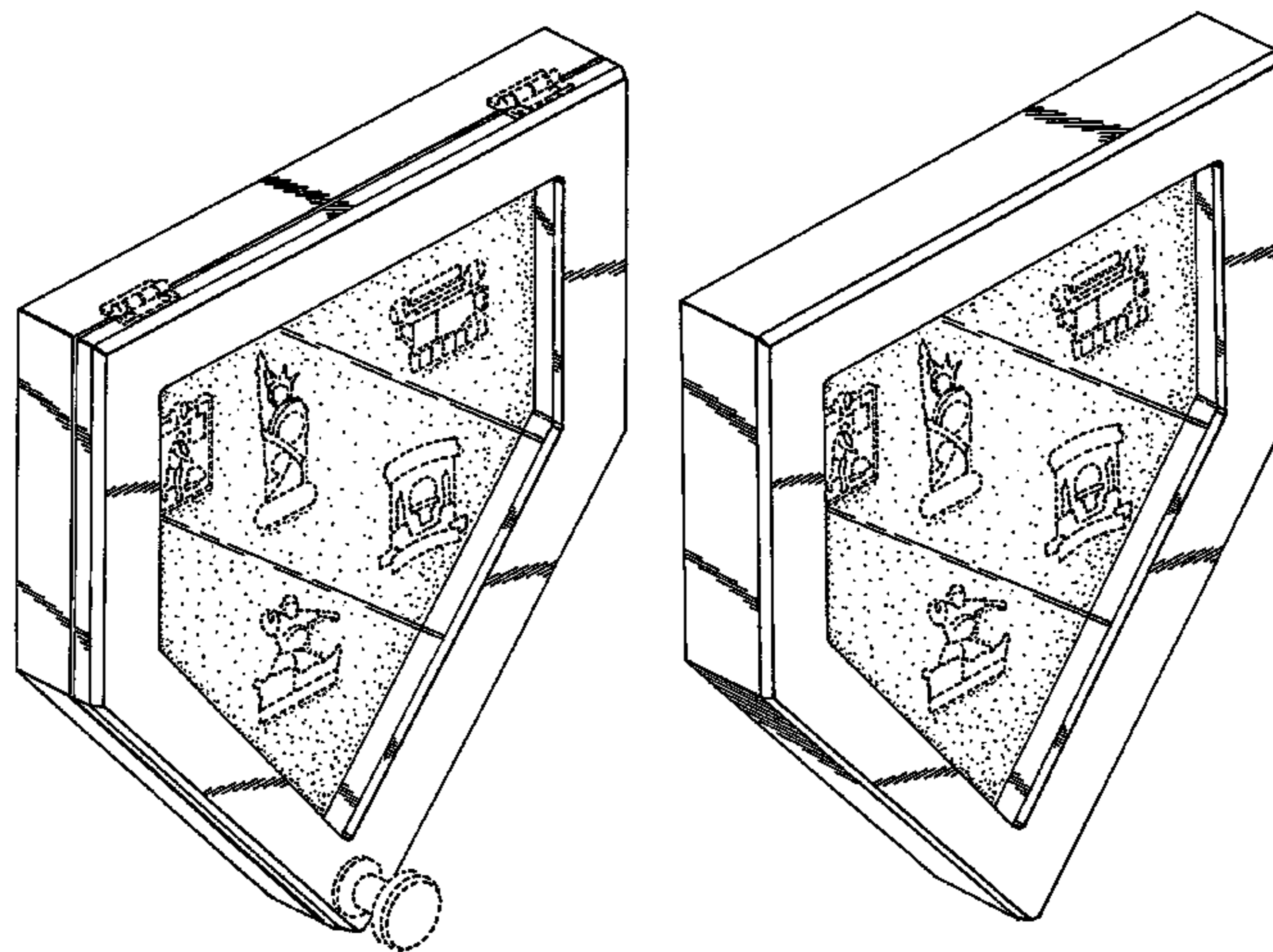
FIG. 12 is a rear view thereof of the alternate embodiment;

FIGS. 13 and 14 are left and right side elevation views respectively of the alternate embodiment; and,

FIG. 15 is a front elevation view of the alternate embodiment showing photographs and/or commemorative pins installed therein.

The handle, hinges, commemorative pins, photographs and wall mounts are shown for environmental purposes in dashed lines, and form no part of the claimed design.

**1 Claim, 7 Drawing Sheets**



(56)

**References Cited**

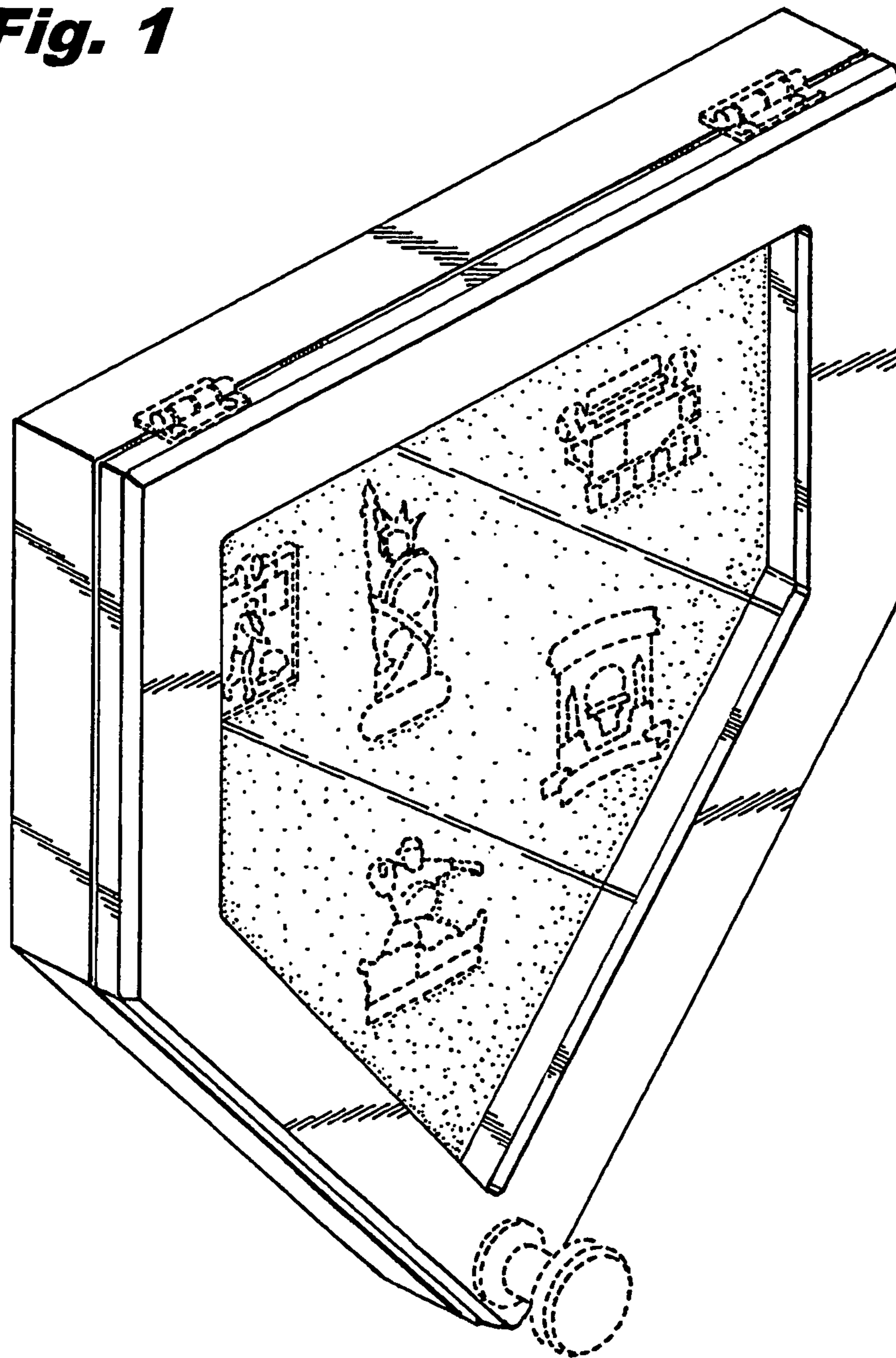
U.S. PATENT DOCUMENTS

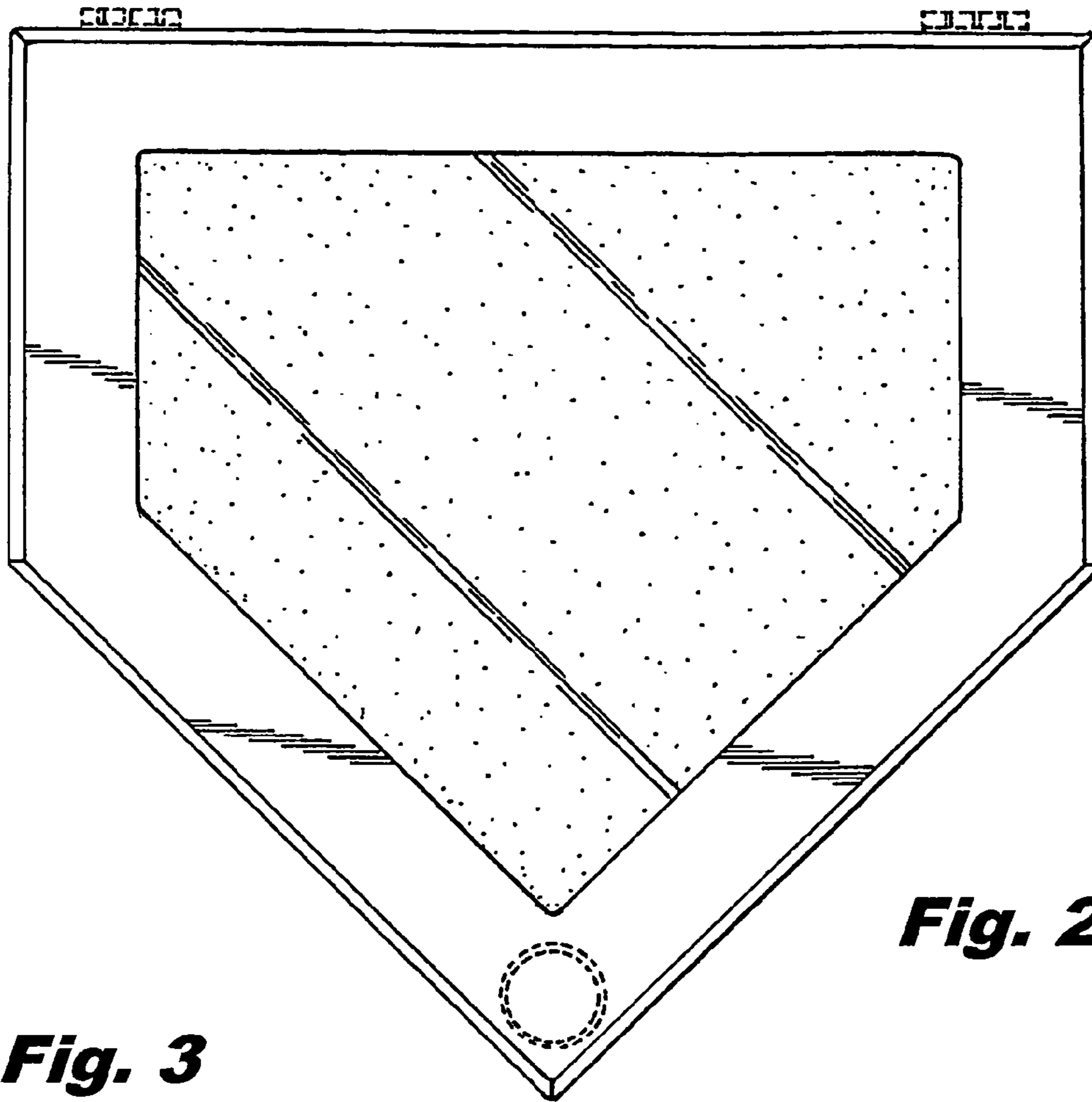
D528,180 S 9/2006 Rathbun  
D534,094 S \* 12/2006 Trainor et al. .... D11/81  
D534,232 S \* 12/2006 Rathbun ..... D21/780  
7,207,635 B2 \* 4/2007 Simmons ..... 312/125

D543,758 S 6/2007 Olivera  
7,731,023 B1 6/2010 Lesch  
D653,502 S 2/2012 Mitchell  
D675,820 S \* 2/2013 Campanella et al. .... D3/238  
D678,728 S \* 3/2013 Stevens ..... D7/551.1

\* cited by examiner

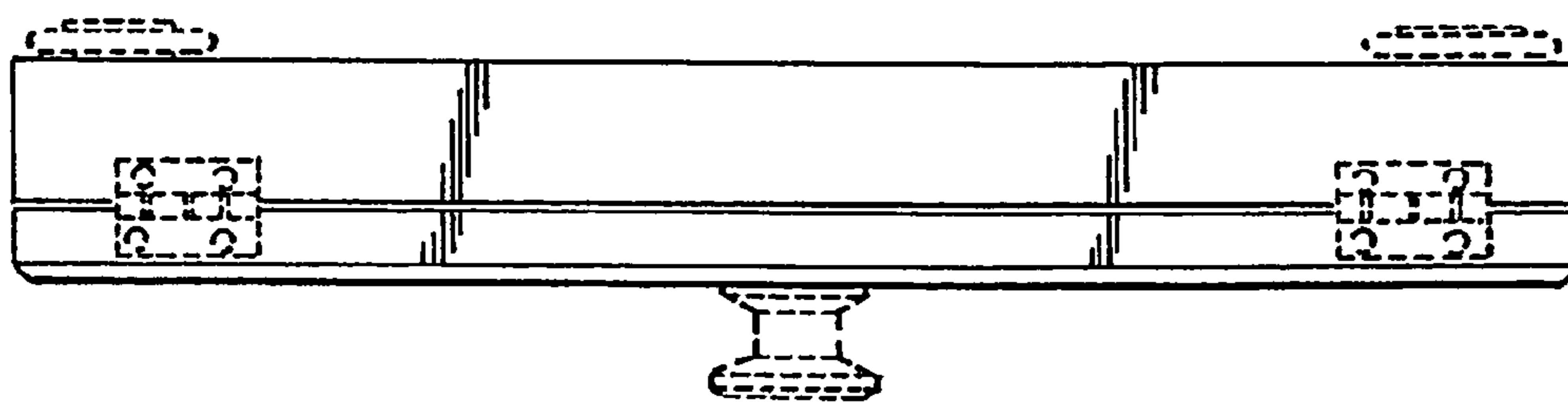
**Fig. 1**



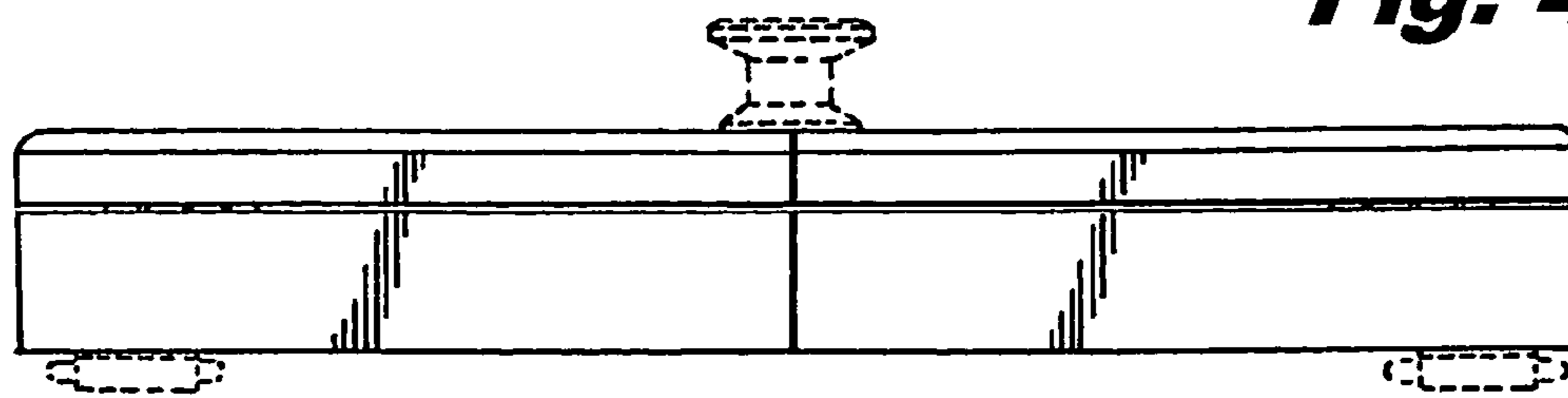


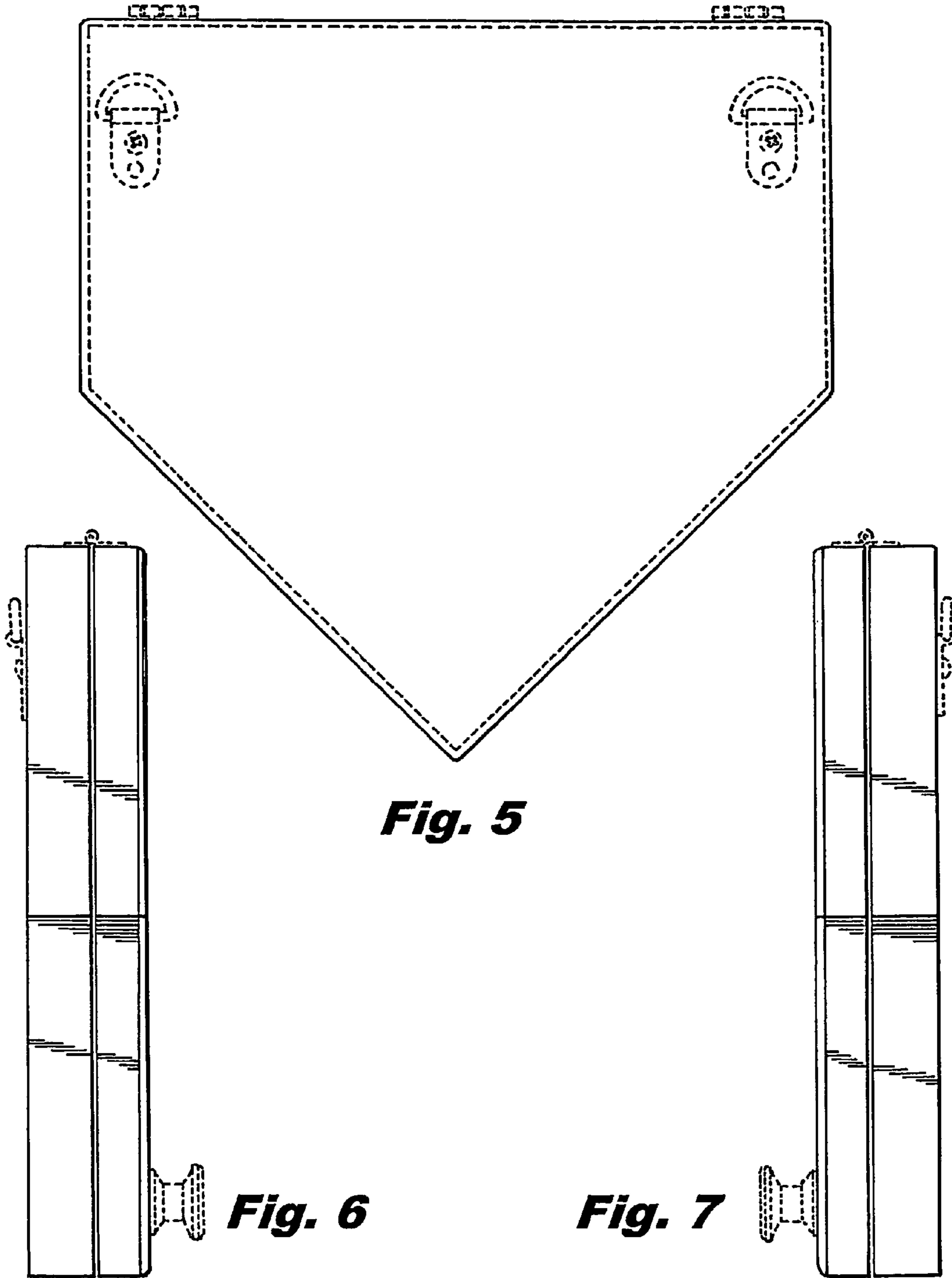
**Fig. 2**

**Fig. 3**

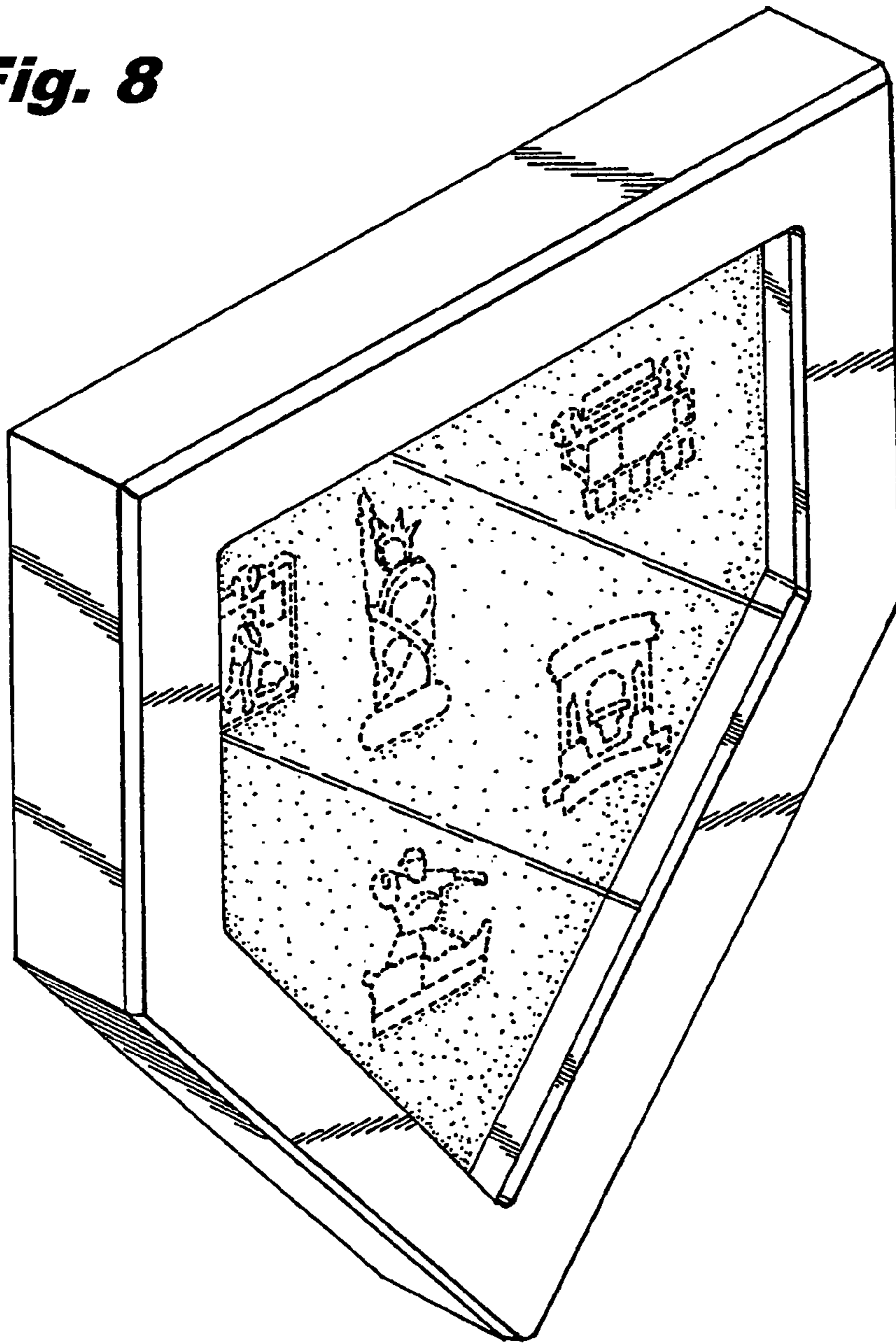


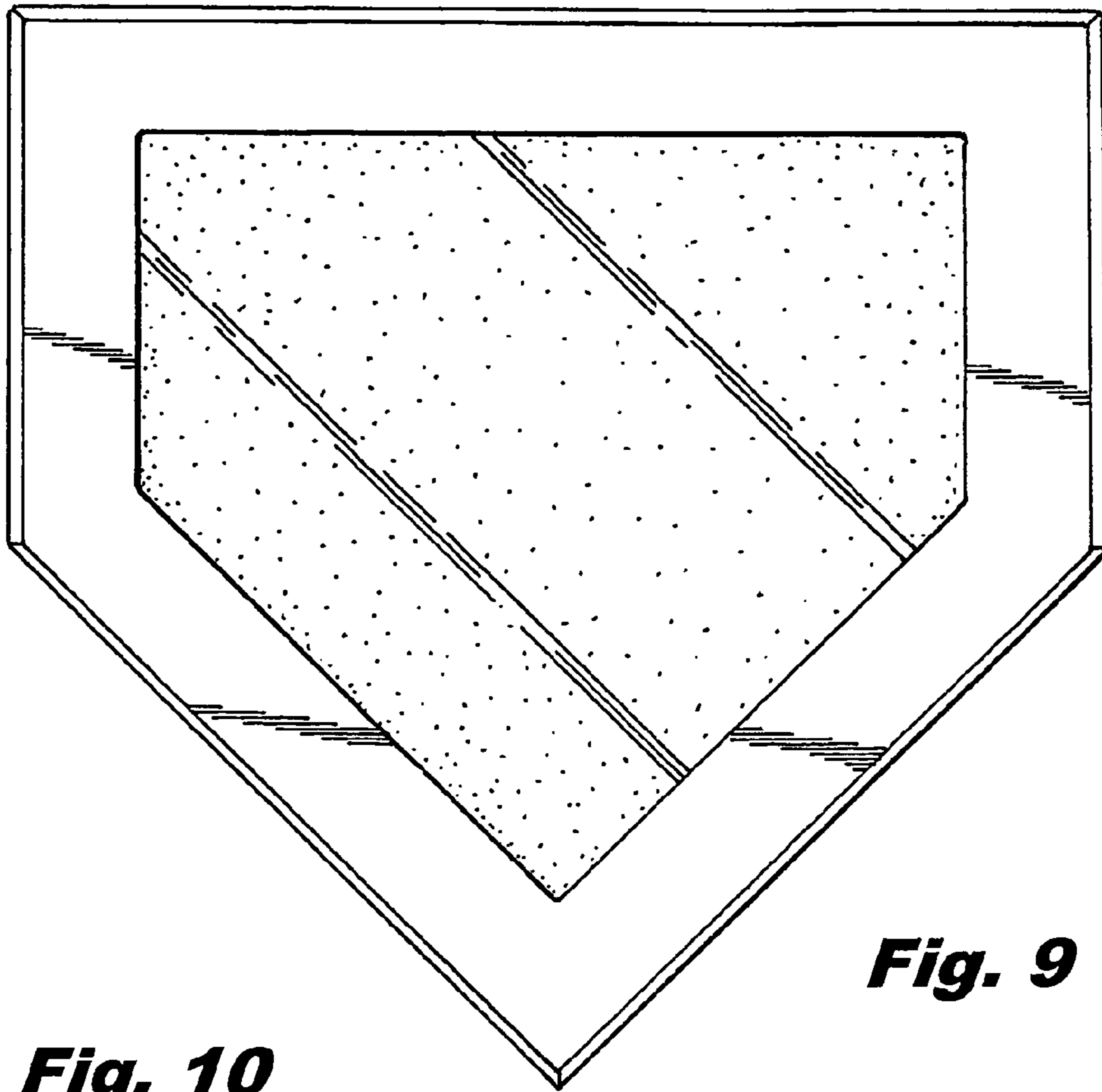
**Fig. 4**





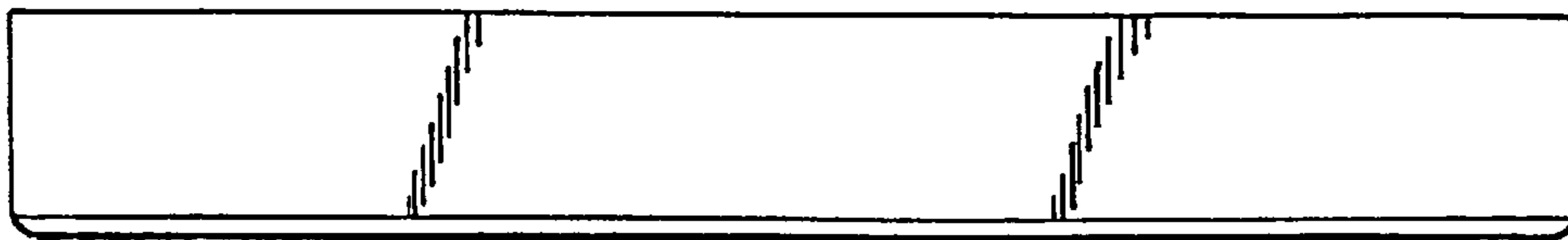
**Fig. 8**



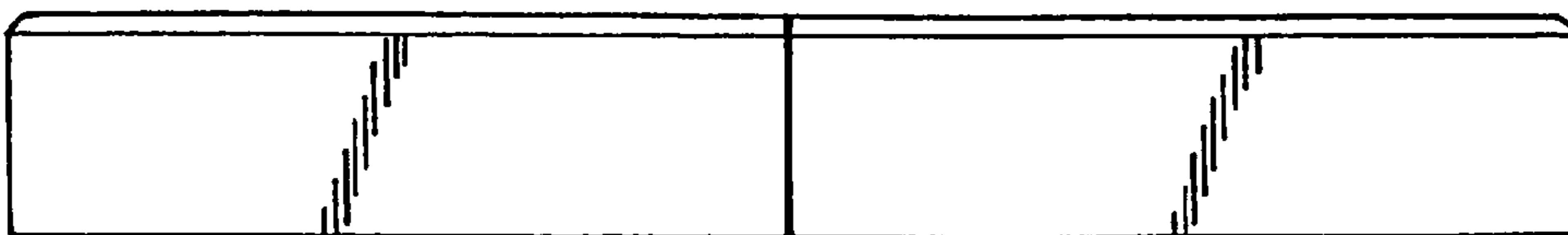


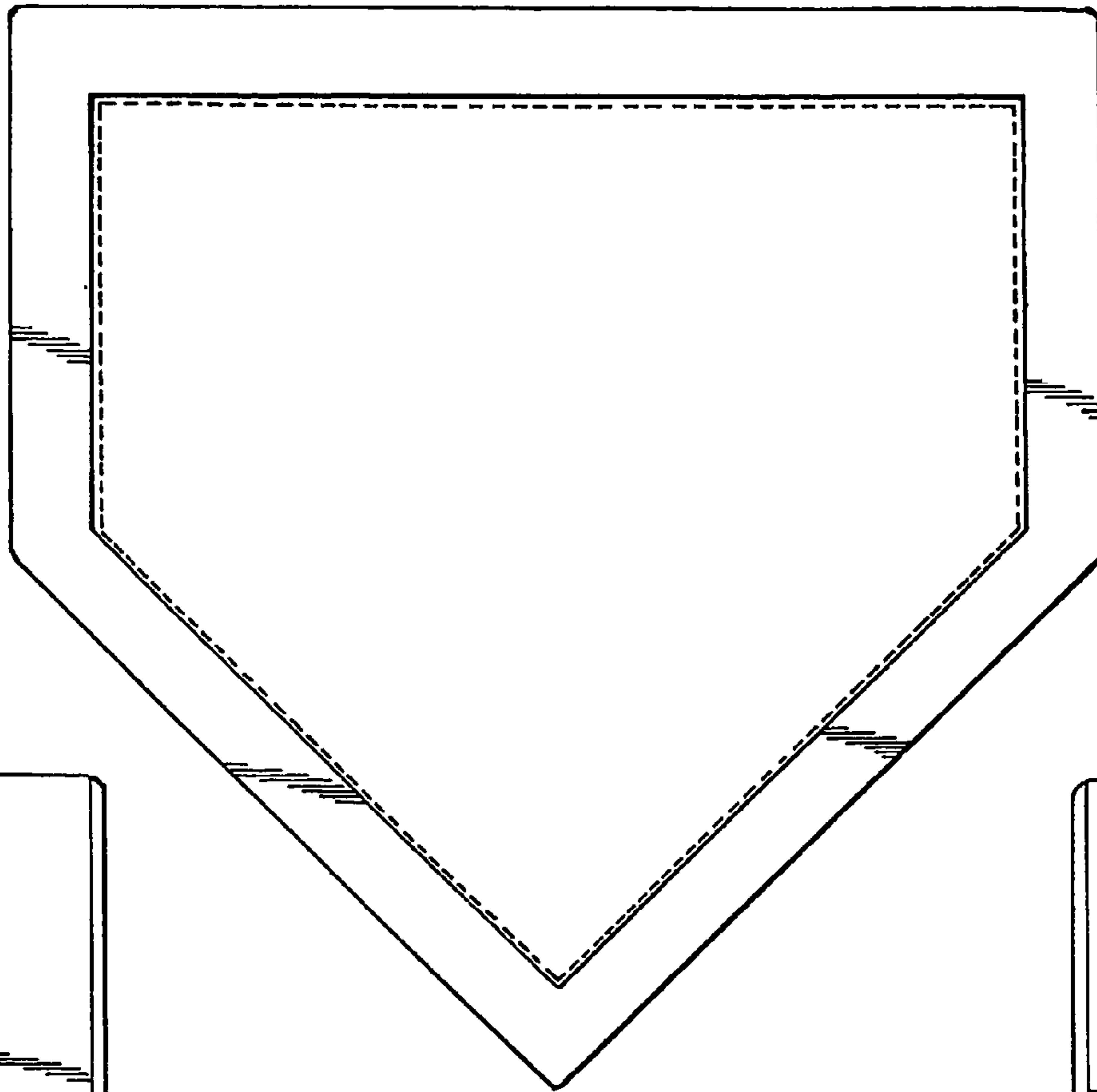
**Fig. 9**

**Fig. 10**

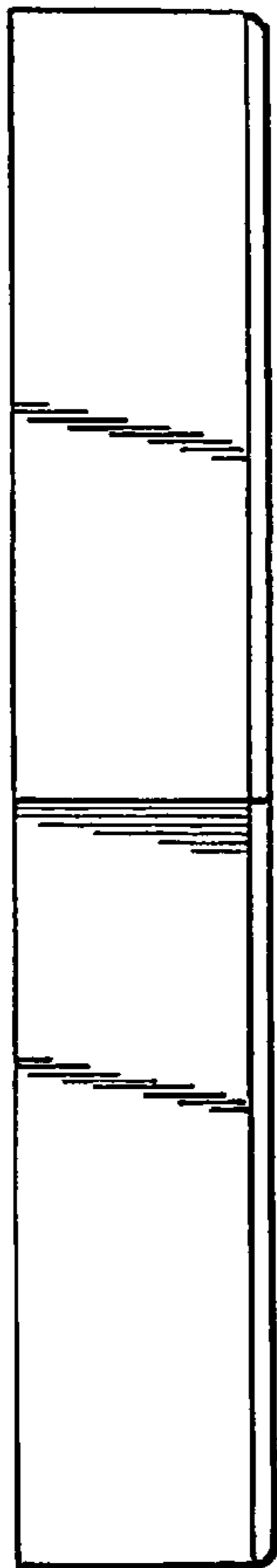


**Fig. 11**

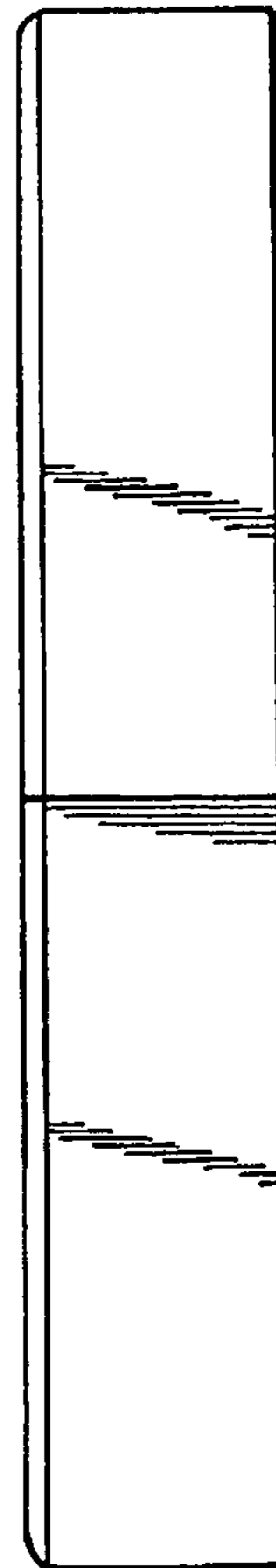




**Fig. 12**

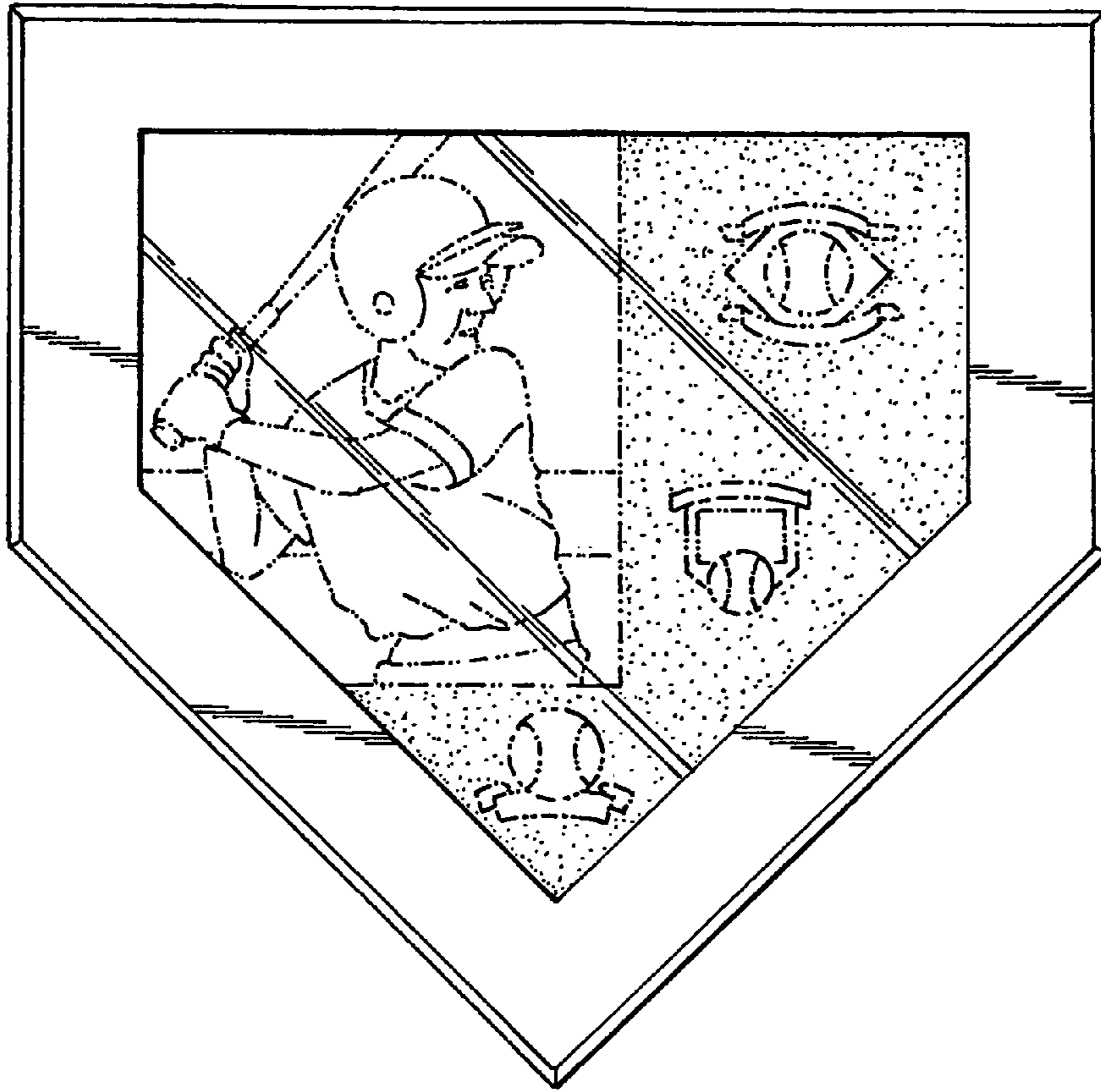


**Fig. 13**



**Fig. 14**





**Fig. 15**