

US00D720555S

(12) **United States Design Patent**
Nelson et al.

(10) **Patent No.:** **US D720,555 S**
(45) **Date of Patent:** **** Jan. 6, 2015**

(54) **VERTICAL HOLDER**
(71) Applicant: **Homer TLC, Inc.**, Wilmington, DE (US)
(72) Inventors: **Michael Nelson**, Peachtree City, GA (US); **Adam Green**, Atlanta, GA (US)

D604,081 S	11/2009	Nunes	D6/556
8,250,804 B2	8/2012	Chang	47/39
8,281,517 B2	10/2012	MacKenzie	47/83
8,371,473 B2	2/2013	Scribner et al.	220/751
8,479,444 B2	7/2013	Mesiara	47/83
2009/0173004 A1	7/2009	Weast	47/83

(73) Assignee: **Homer TLC, Inc.**, Wilmington, DE (US)

FOREIGN PATENT DOCUMENTS

EP	2 322 031	5/2011
EP	2 618 648	7/2013
JP	2013-518585	5/2013
WO	WO 2013/010216	1/2013

(**) Term: **14 Years**

OTHER PUBLICATIONS

(21) Appl. No.: **29/478,249**

Images of product (Garden Treasures "Vertical Garden with 4 Boxes" #0037038) that was available to the public prior to Jan. 2, 2014.

(22) Filed: **Jan. 2, 2014**

(51) **LOC (10) Cl.** **06-04**

* cited by examiner

(52) **U.S. Cl.**
USPC **D6/558**; D6/571

Primary Examiner — Brian N Vinson

(58) **Field of Classification Search**
USPC D6/512-514, 553, 556, 558, 567, 570, D6/571, 569; 211/10, 13.1, 85.4, 85.13, 211/71.01, 86.01, 87.01; 206/730, 734, 570
See application file for complete search history.

(74) *Attorney, Agent, or Firm* — Fulbright & Jaworski LLP

(57) **CLAIM**

The ornamental design for a vertical holder, as shown and described.

(56) **References Cited**

DESCRIPTION

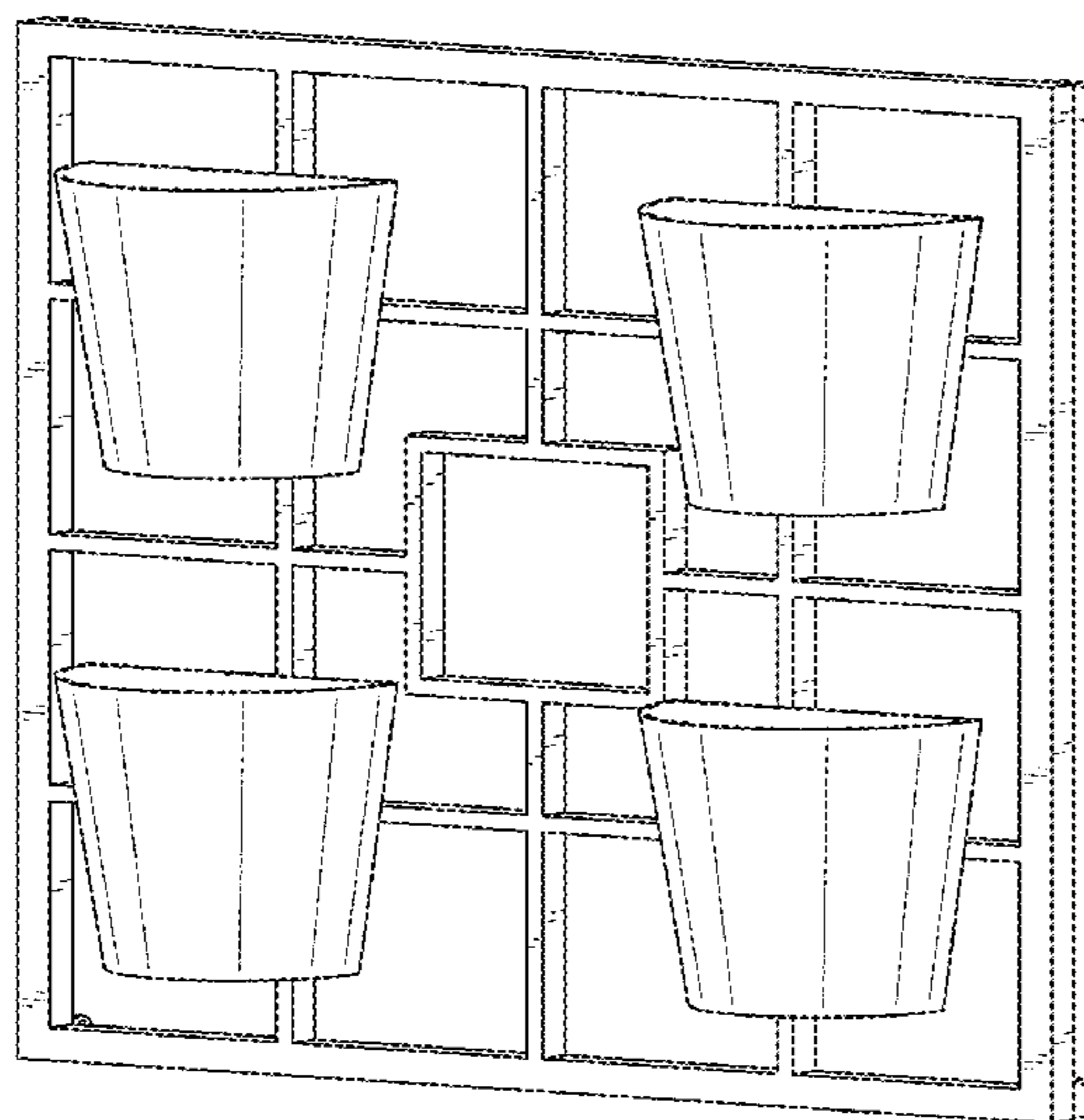
U.S. PATENT DOCUMENTS

248,519 A	10/1881	Snyder	47/41.01
D82,629 S	11/1930	Scott et al.	D6/558
D156,405 S	12/1949	Bu Gay	D6/556
D156,406 S	12/1949	Bu Gay	D6/556
4,380,136 A	4/1983	Karpisek	47/83
4,499,688 A	2/1985	Droll	47/83
D278,493 S *	4/1985	Brescia et al.	D6/570
D335,232 S *	5/1993	Whitlock	D6/570
D345,666 S	4/1994	Anderson	D6/556
D369,711 S *	5/1996	Kenney et al.	D6/570
D417,114 S	11/1999	Rehmert et al.	D6/556
D550,493 S *	9/2007	Coran	D6/570
D584,089 S	1/2009	Weiss	D6/556
D584,090 S	1/2009	Weiss	D6/556

FIG. 1 is a perspective view of our vertical holder;
FIG. 2 is front view thereof;
FIG. 3 is a back view thereof;
FIG. 4 is a left side view thereof;
FIG. 5 is a right side view thereof;
FIG. 6 is a top view thereof; and,
FIG. 7 is a bottom view thereof.

The dashed lines represent environmental structure and form no part of the claimed design. All other surface(s) or portion (s) of our invention not shown in the figures or otherwise described in the specification, such as the inside bottoms of the pots, form no part of the claimed design.

1 Claim, 5 Drawing Sheets



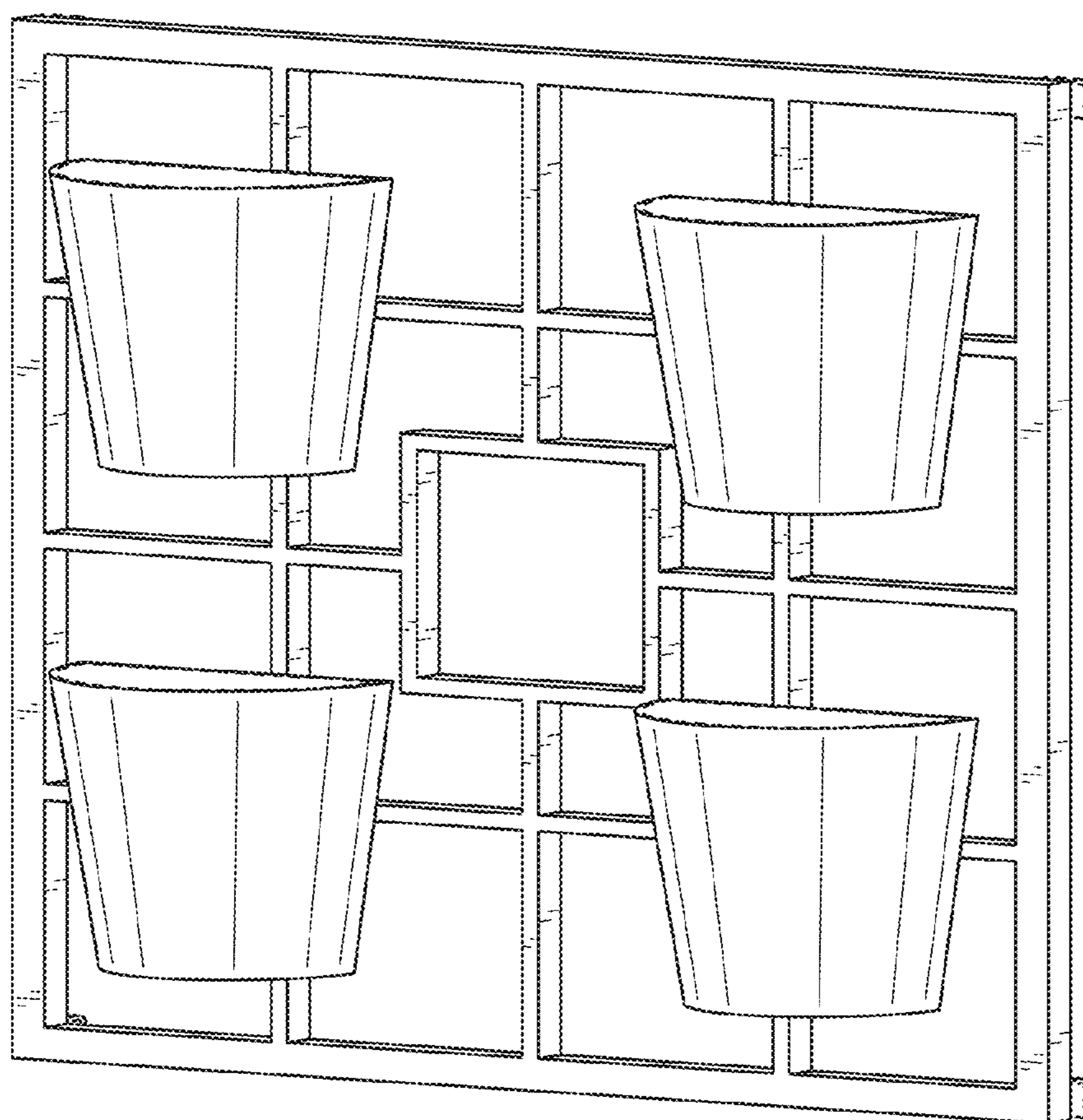


FIG. 1

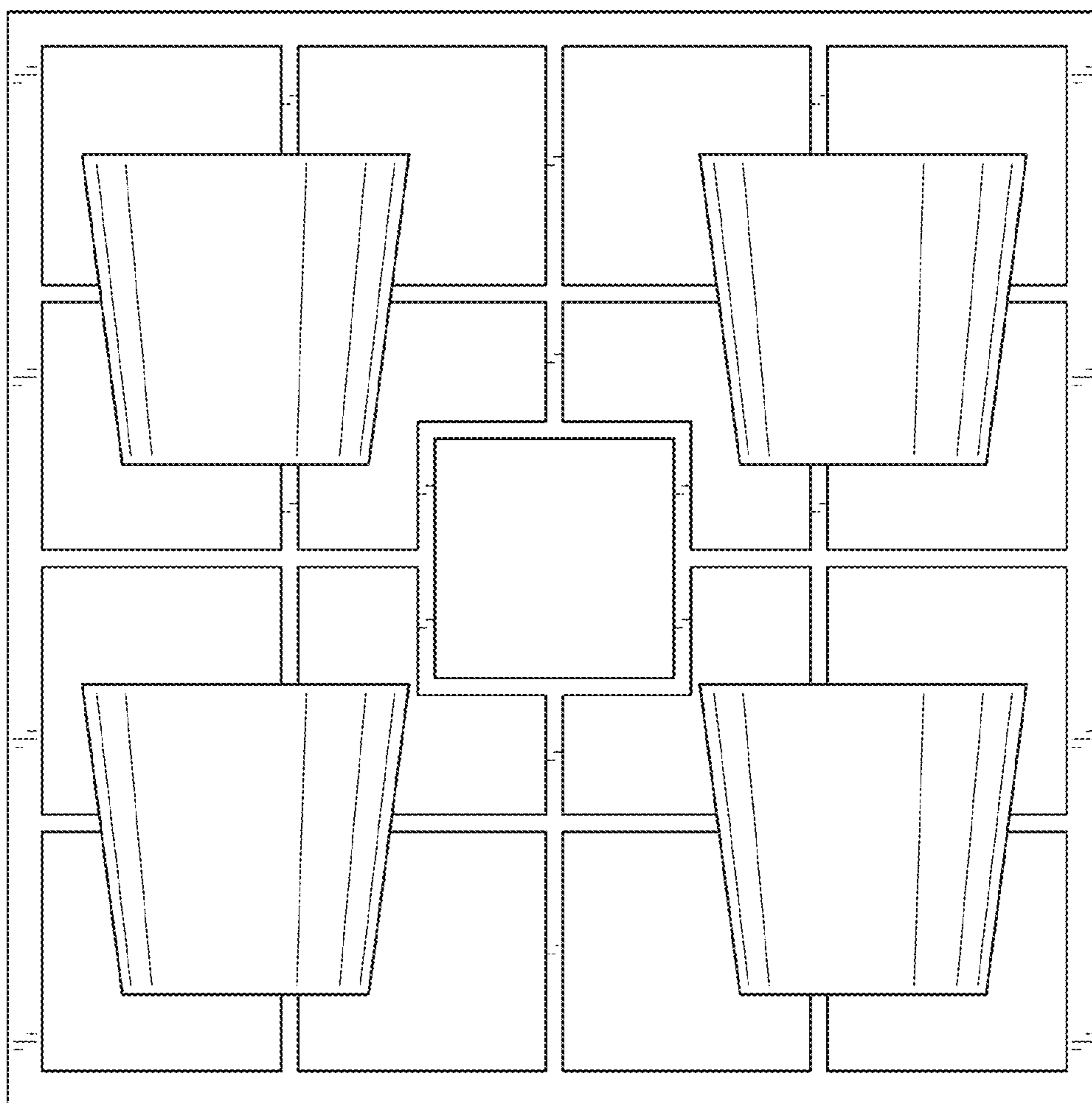


FIG. 2

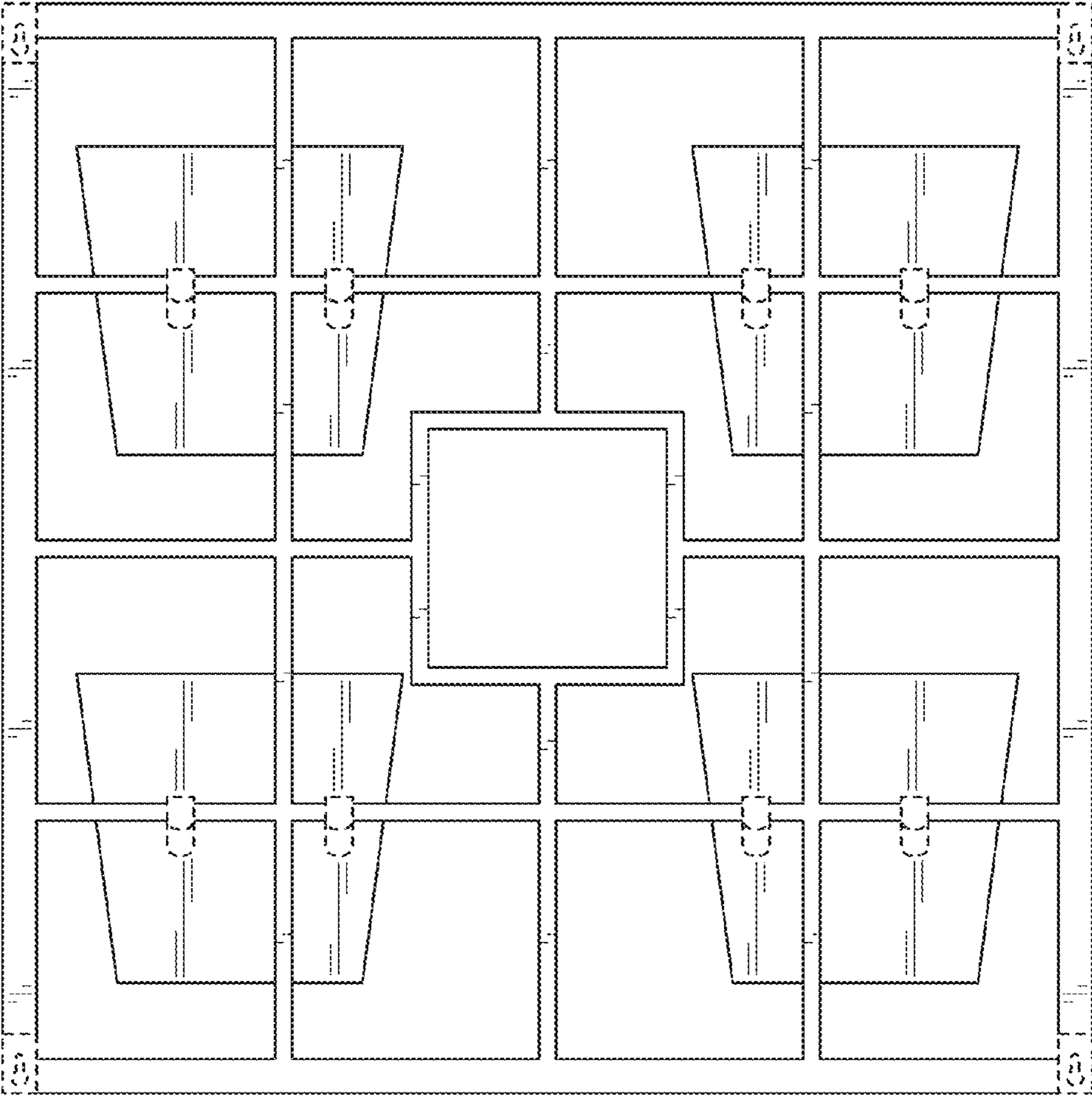


FIG. 3

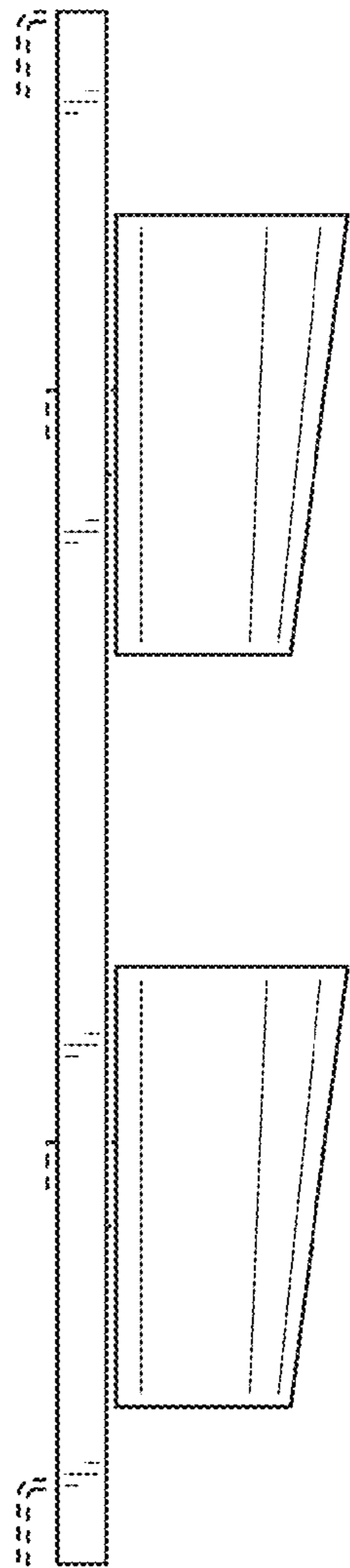


FIG. 4

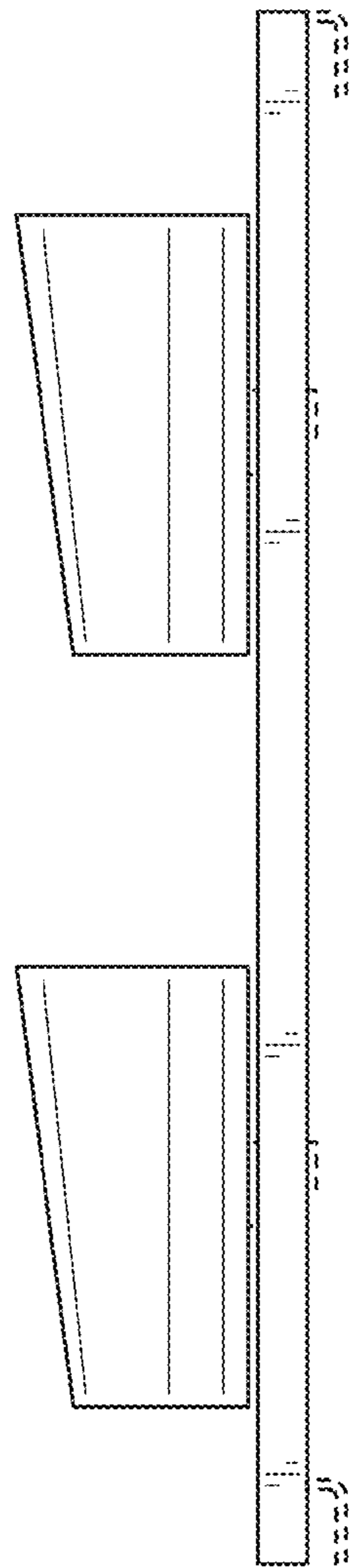


FIG. 5

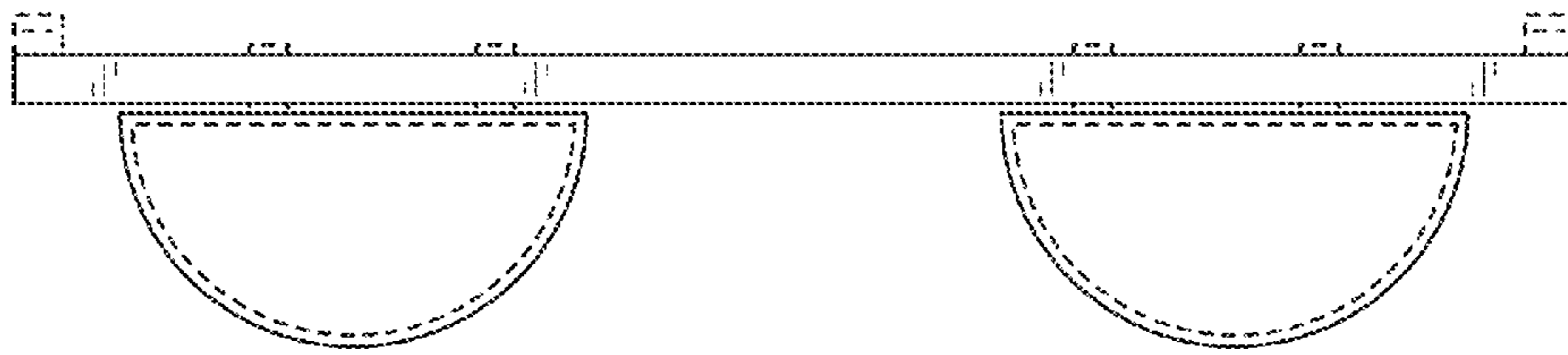


FIG. 6

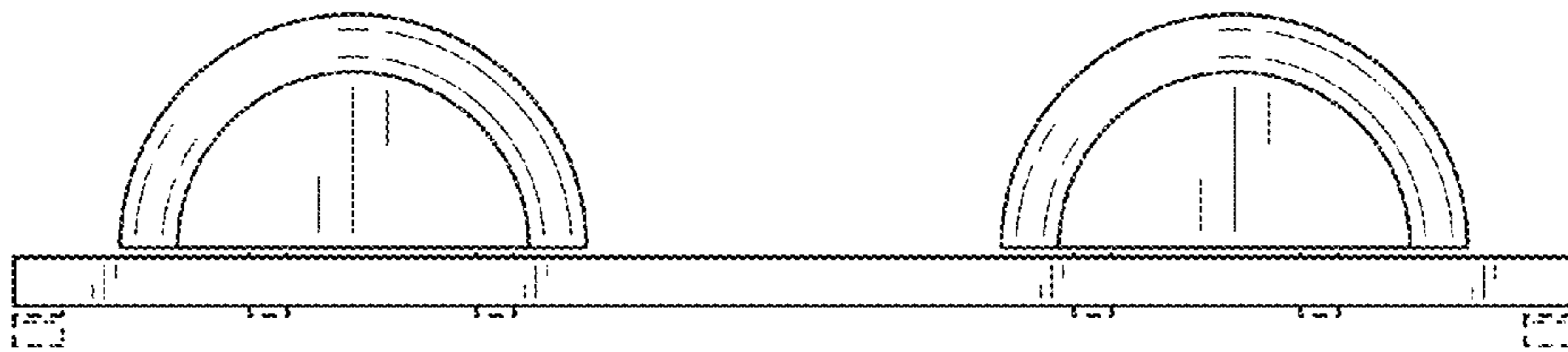


FIG. 7