



US00D720552S

(12) **United States Design Patent**
Grigaliunas

(10) **Patent No.:** **US D720,552 S**

(45) **Date of Patent:** **** Jan. 6, 2015**

(54) **BUNK BED**

(56) **References Cited**

(71) Applicant: **Darius Grigaliunas**, Vilnius (LT)

U.S. PATENT DOCUMENTS

(72) Inventor: **Darius Grigaliunas**, Vilnius (LT)

D349,199 S * 8/1994 Woodhams D6/393

D507,708 S * 7/2005 Jannetides D6/383

D677,072 S * 3/2013 Pegza D6/383

(**) Term: **14 Years**

* cited by examiner

(21) Appl. No.: **29/450,961**

Primary Examiner — Janice Seeger

(22) Filed: **Mar. 26, 2013**

(57) **CLAIM**
The ornamental design for a bunk bed, as shown.

(51) **LOC (10) Cl.** **06-02**

DESCRIPTION

(52) **U.S. Cl.**

USPC **D6/383**

(58) **Field of Classification Search**

CPC A47C 19/20; A47C 19/202

USPC D6/382, 383, 384, 389, 393, 394, 718,

D6/718.13, 718.14, 718.19, 718.2, 718.24;

5/53.1, 279.1, 280, 281, 2.1, 8.9, 9

See application file for complete search history.

FIG. 1 is a perspective view of a bunk bed showing my new design;

FIG. 2 is a front elevational view thereof;

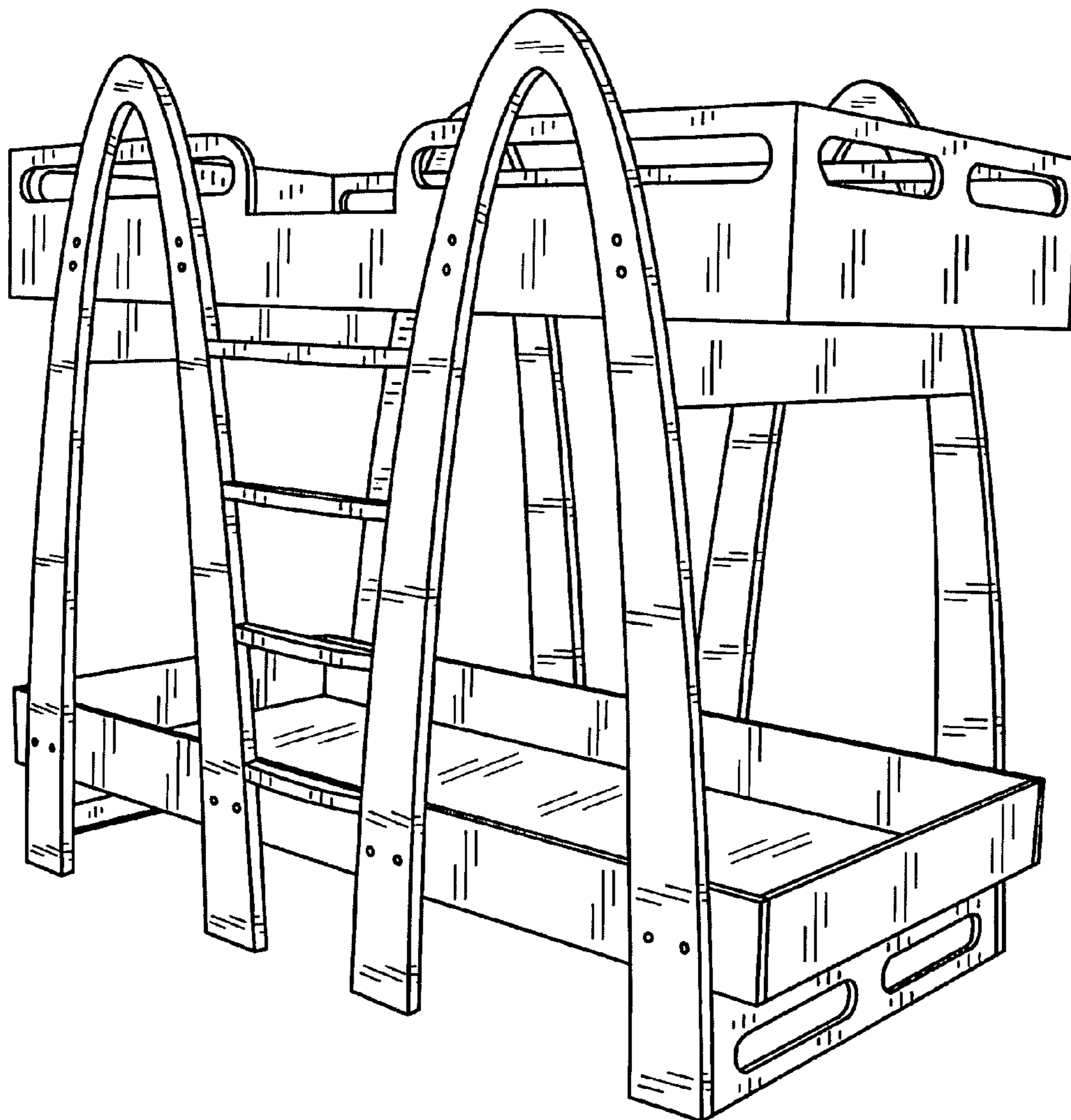
FIG. 3 is a rear elevational view thereof;

FIG. 4 is a left side elevational view thereof;

FIG. 5 is a right side elevational view thereof; and,

FIG. 6 is a top plan view thereof.

1 Claim, 6 Drawing Sheets



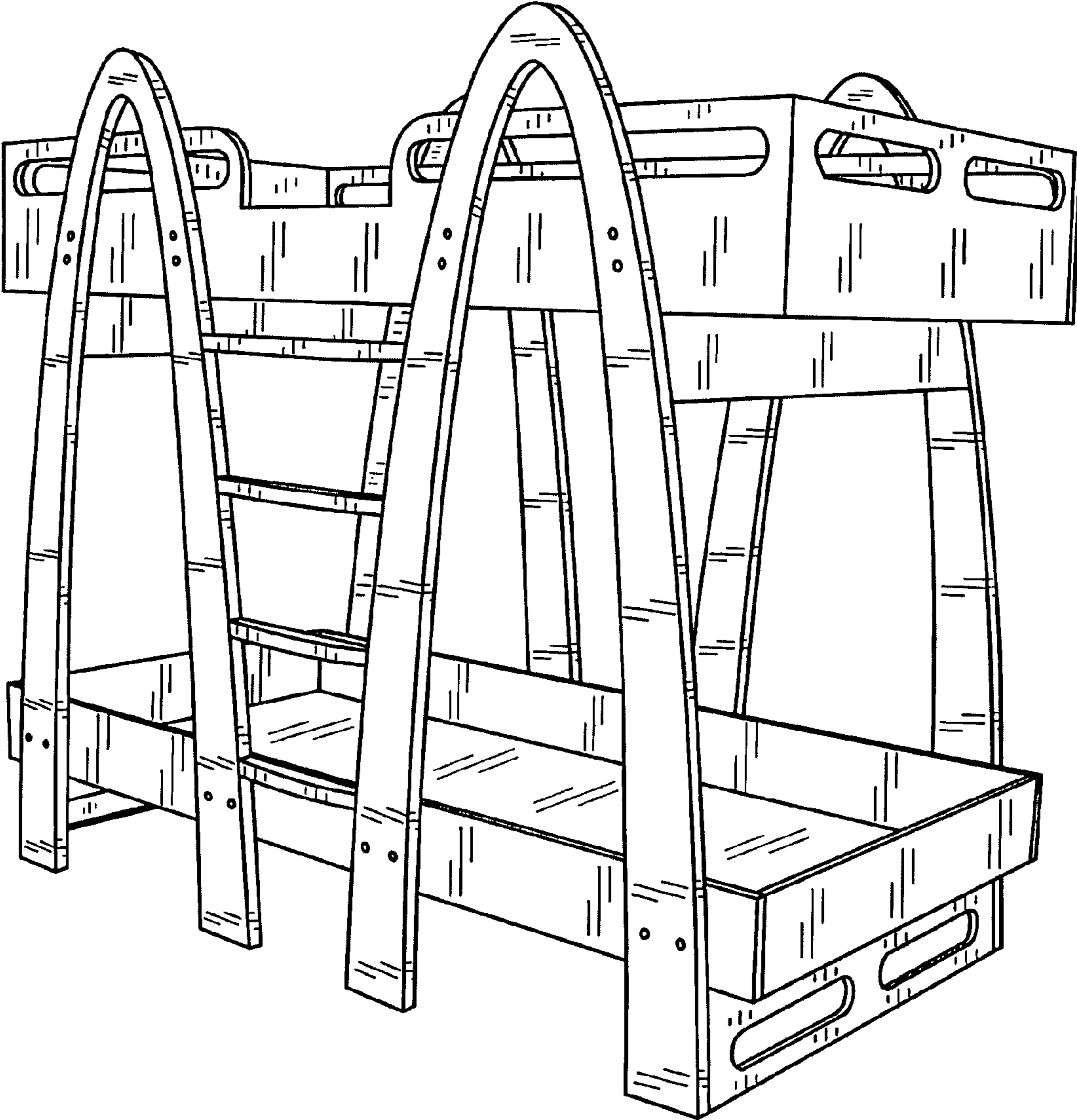


Fig. 1

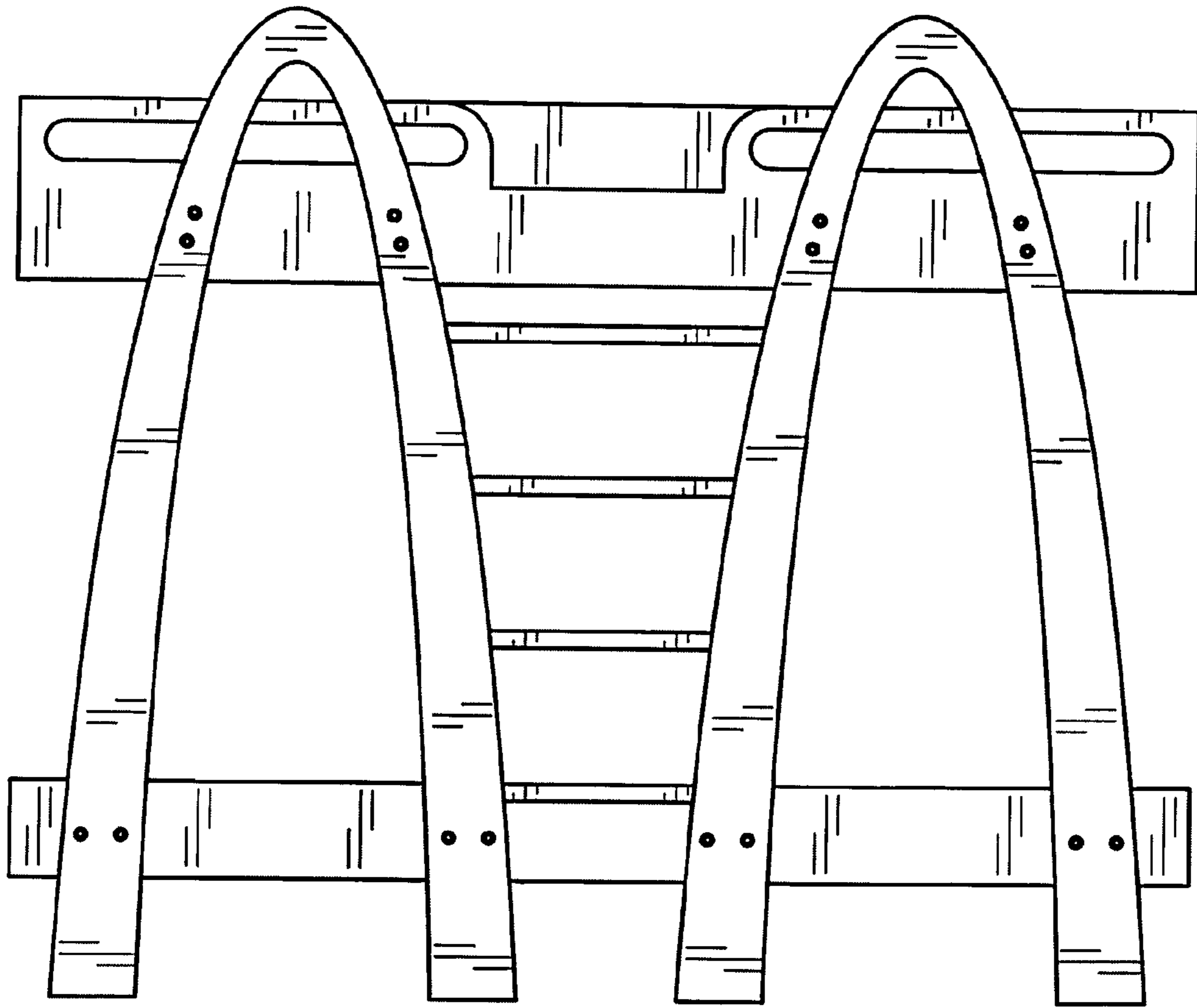


Fig. 2

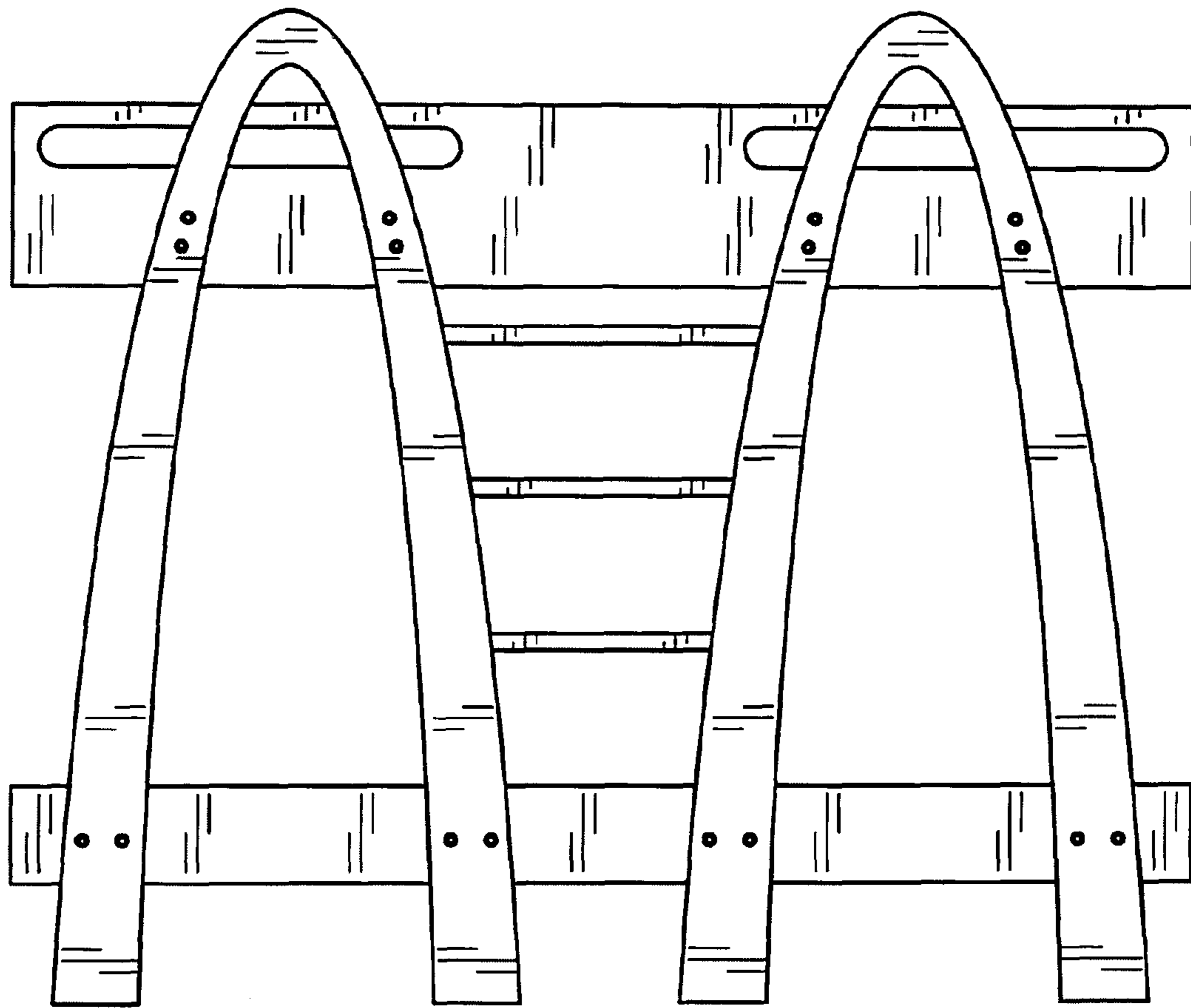


Fig. 3

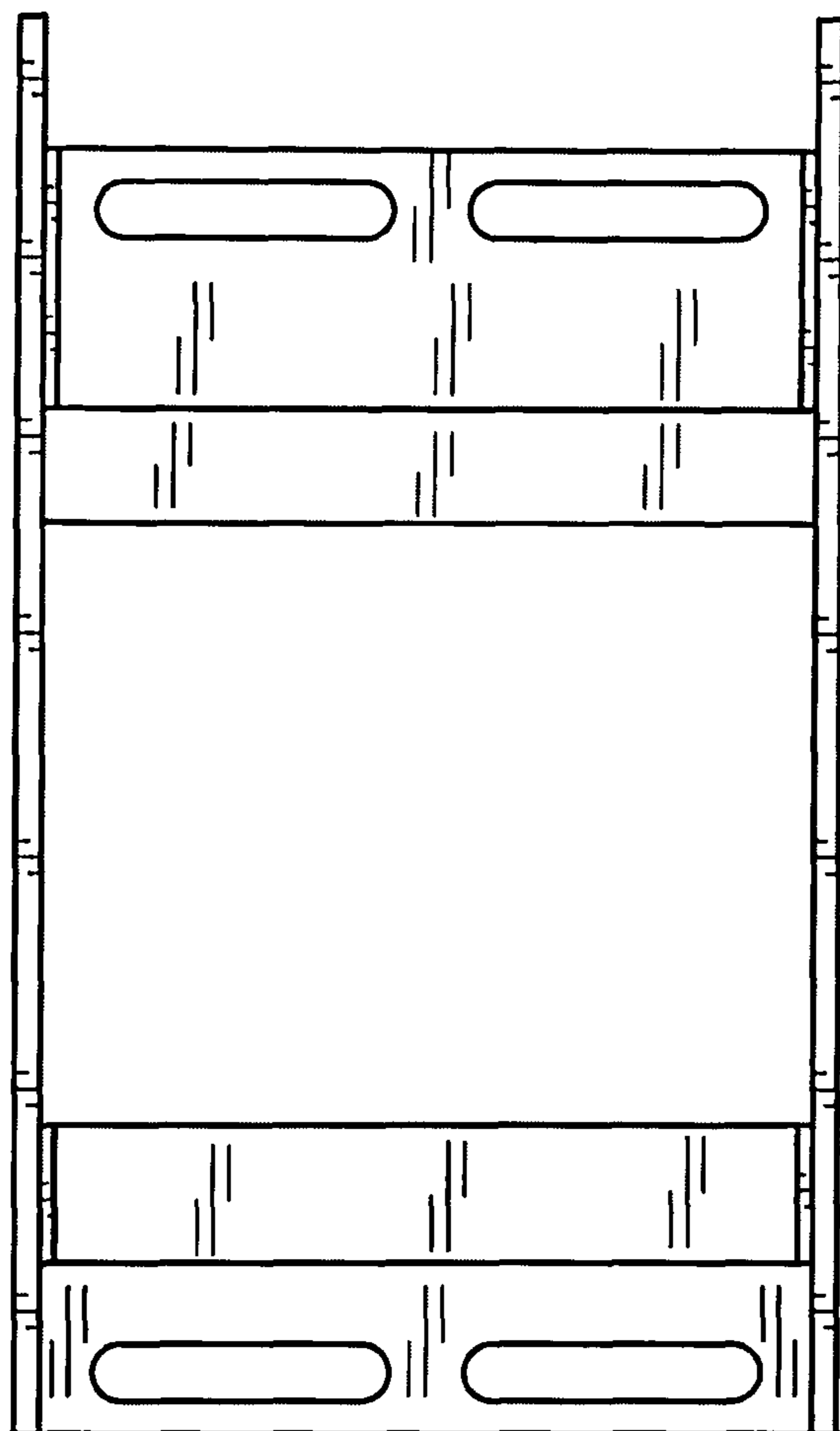


Fig. 4

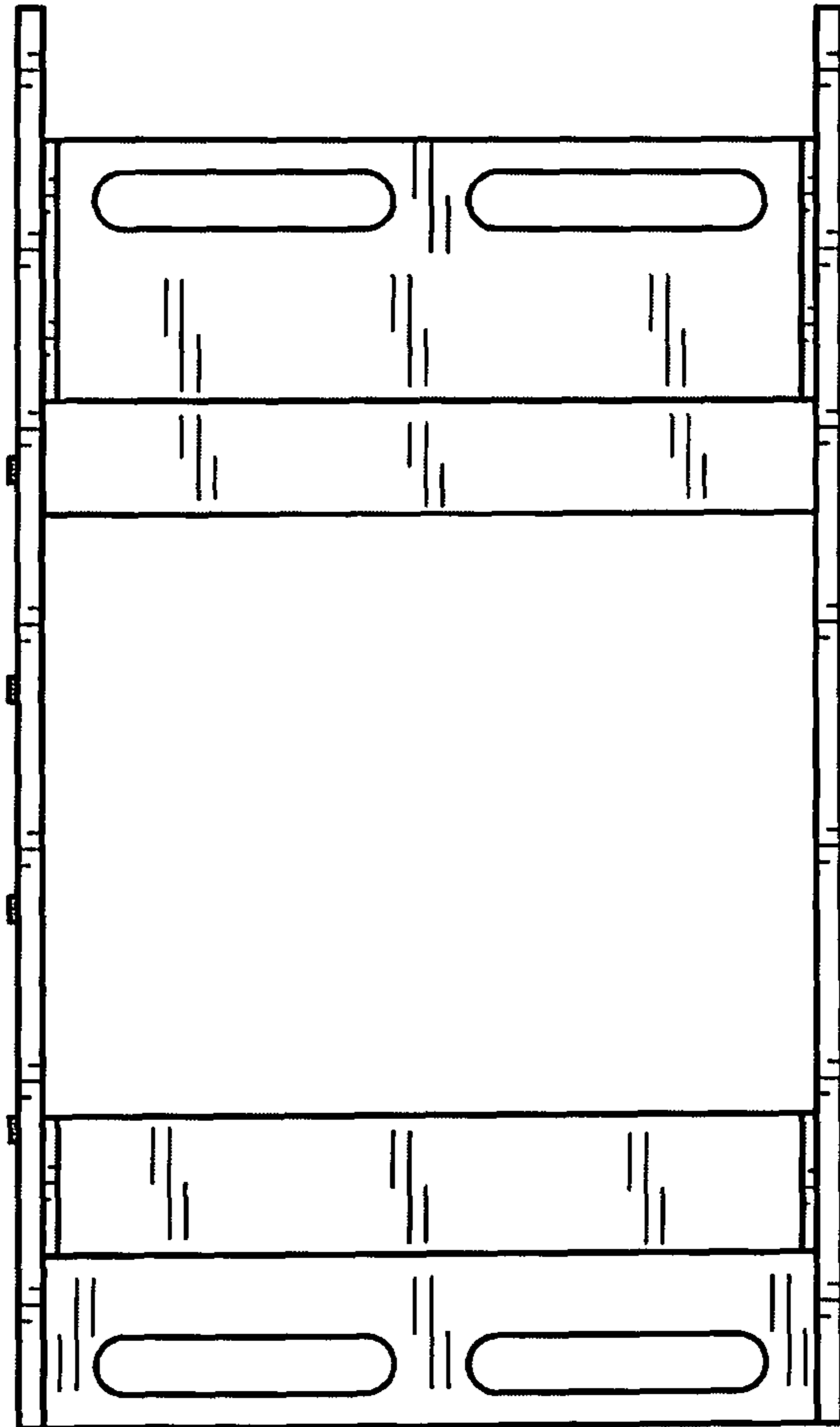


Fig. 5

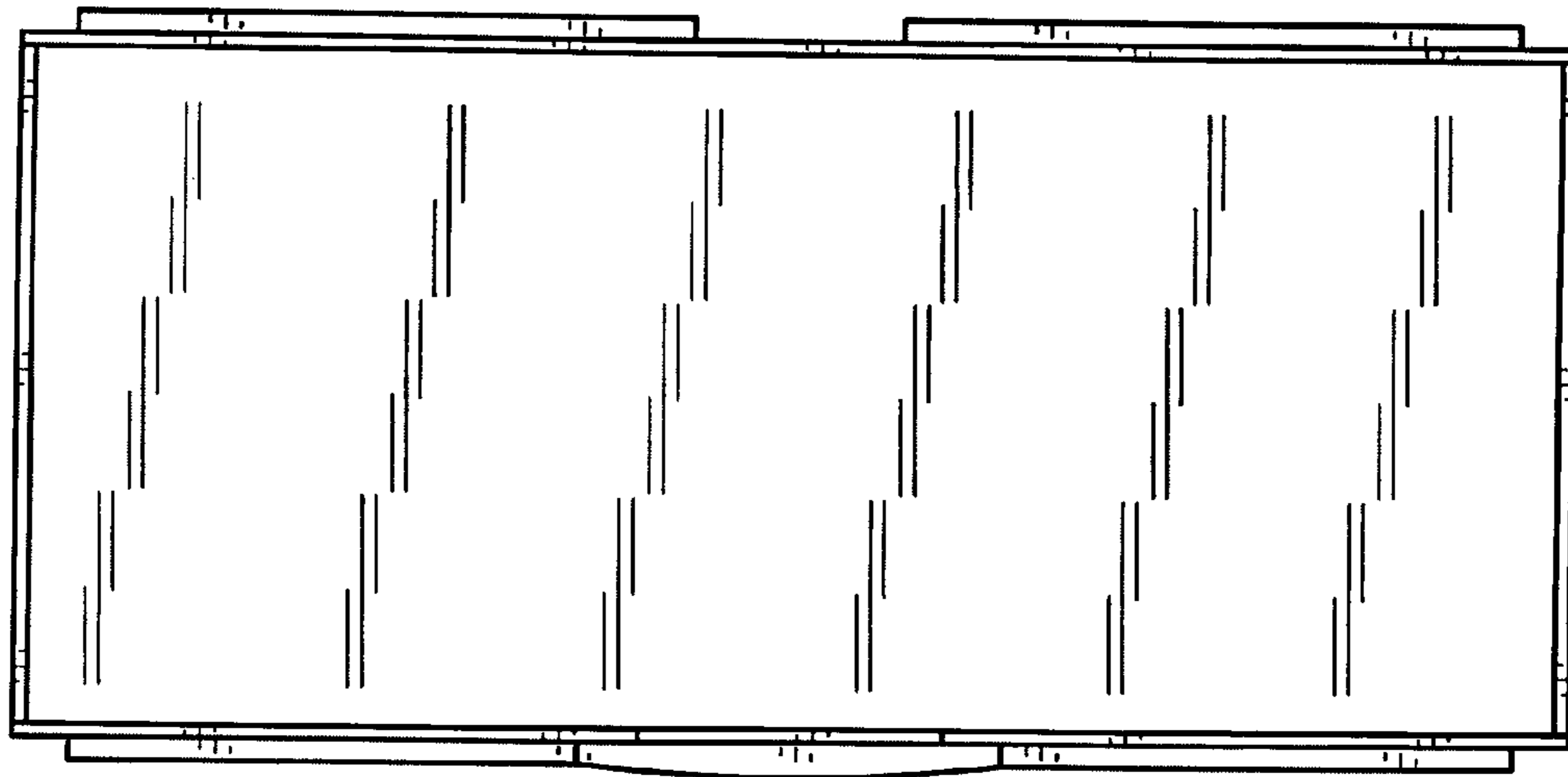


Fig. 6