



US00D720545S

(12) **United States Design Patent**
Kilpatrick et al.

(10) **Patent No.:** **US D720,545 S**
(45) **Date of Patent:** **** Jan. 6, 2015**

(54) **CLOTHES HANGER**

(71) Applicants: **Jennifer A Kilpatrick**, Woodridge, IL
(US); **Andy L Berger**, Woodridge, IL
(US)

(72) Inventors: **Jennifer A Kilpatrick**, Woodridge, IL
(US); **Andy L Berger**, Woodridge, IL
(US)

(**) Term: **14 Years**

(21) Appl. No.: **29/494,063**

(22) Filed: **Jun. 17, 2014**

(51) **LOC (10) Cl.** **06-08**

(52) **U.S. Cl.**
USPC **D6/317**

(58) **Field of Classification Search**
CPC A47G 25/28; A47G 25/32; A47G 25/743;
A47G 25/24; A47G 25/18; A47G 25/52;
A47G 25/70; A47G 29/08; A47G 29/00;
A47F 5/0006; A47F 7/00; A47F 7/19; A47F
7/0028
USPC D6/315-328; 223/85-98; 211/10, 13.1,
211/85.2, 87.01, 113

See application file for complete search history.

(56) **References Cited**

U.S. PATENT DOCUMENTS

D206,300	S	*	11/1966	Moses	D6/319
4,253,577	A	*	3/1981	Macfarlane	211/118
D320,699	S	*	10/1991	Beloe	D6/317
D363,185	S	*	10/1995	Thompson	D6/513
D409,004	S	*	5/1999	Bartholow	D6/317
D665,179	S	*	8/2012	Pelosi	D6/317
D688,473	S	*	8/2013	Cohen	D6/319
D704,458	S	*	5/2014	Berger	D6/315

* cited by examiner

Primary Examiner — Derrick Holland

Assistant Examiner — Lauren Calve

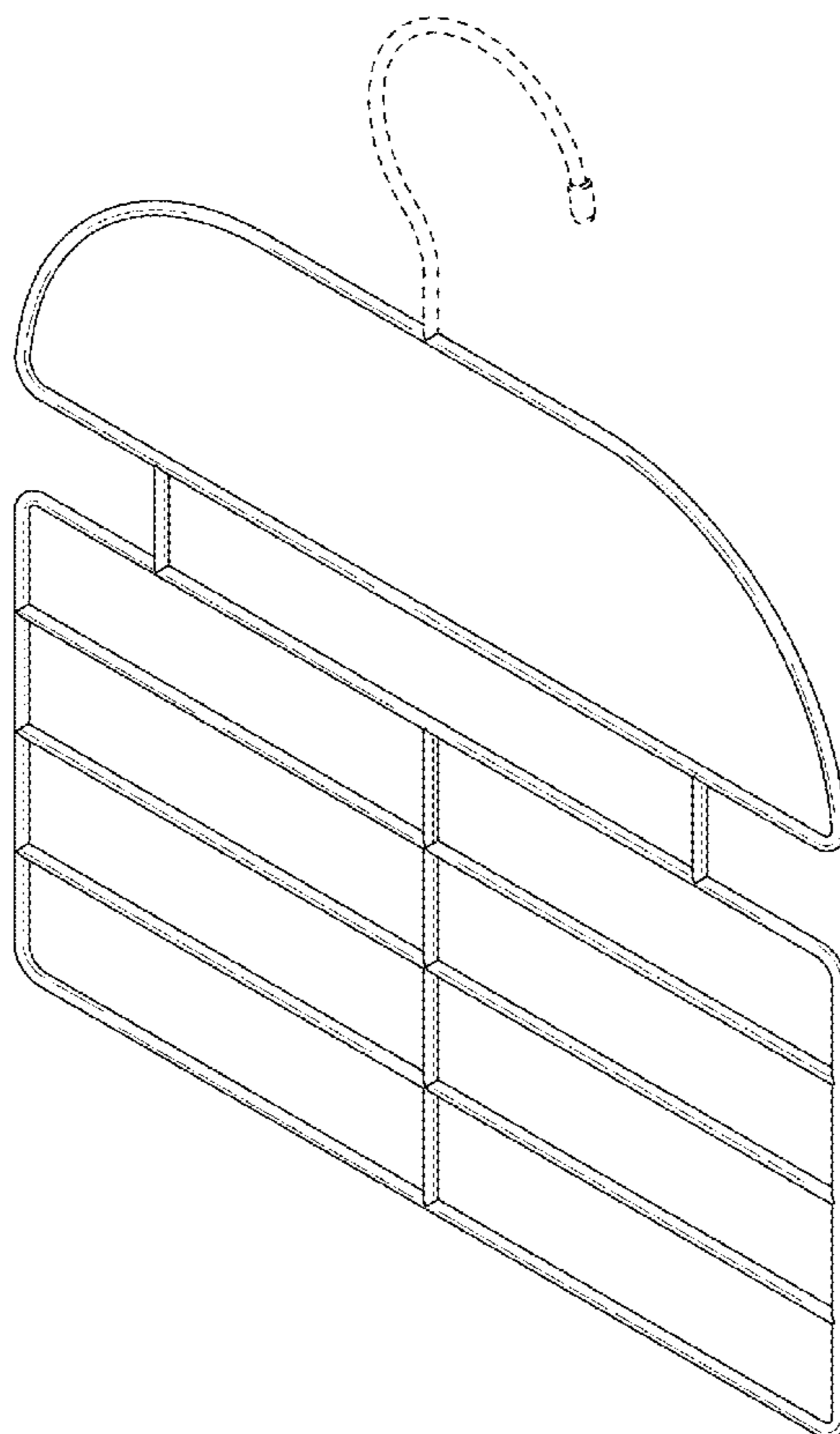
(57) **CLAIM**

The ornamental design for a clothes hanger, as shown and described.

DESCRIPTION

FIG. 1 is a perspective view of a clothes hanger;
FIG. 2 is a front elevational view thereof;
FIG. 3 is a rear elevational view thereof;
FIG. 4 is a right side elevational view thereof;
FIG. 5 is a left side elevational view thereof;
FIG. 6 is a top plan view thereof; and,
FIG. 7 is a bottom plan view thereof.
The broken lines shown represent unclaimed subject matter and form no part of the claimed design.

1 Claim, 7 Drawing Sheets



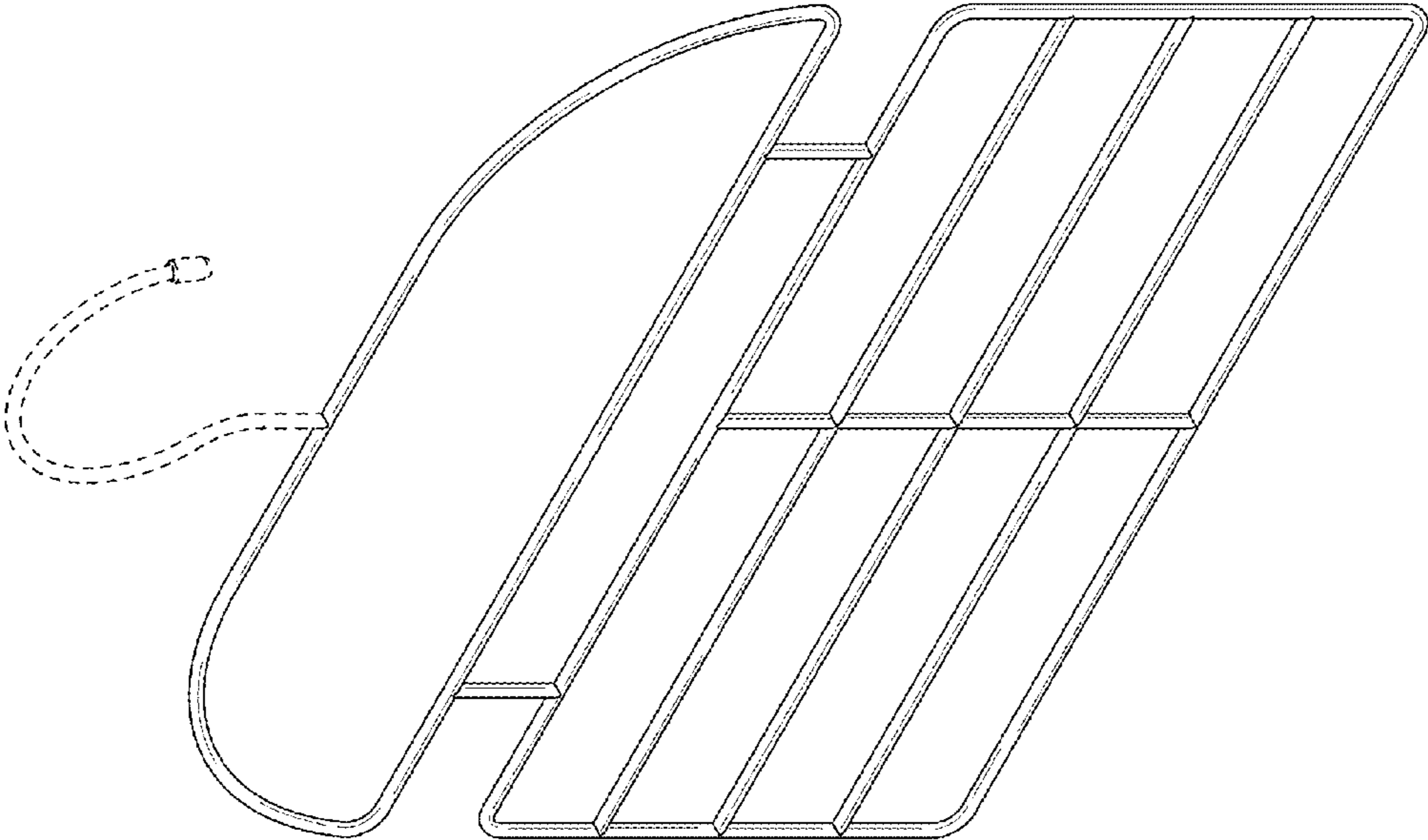


FIG. 1

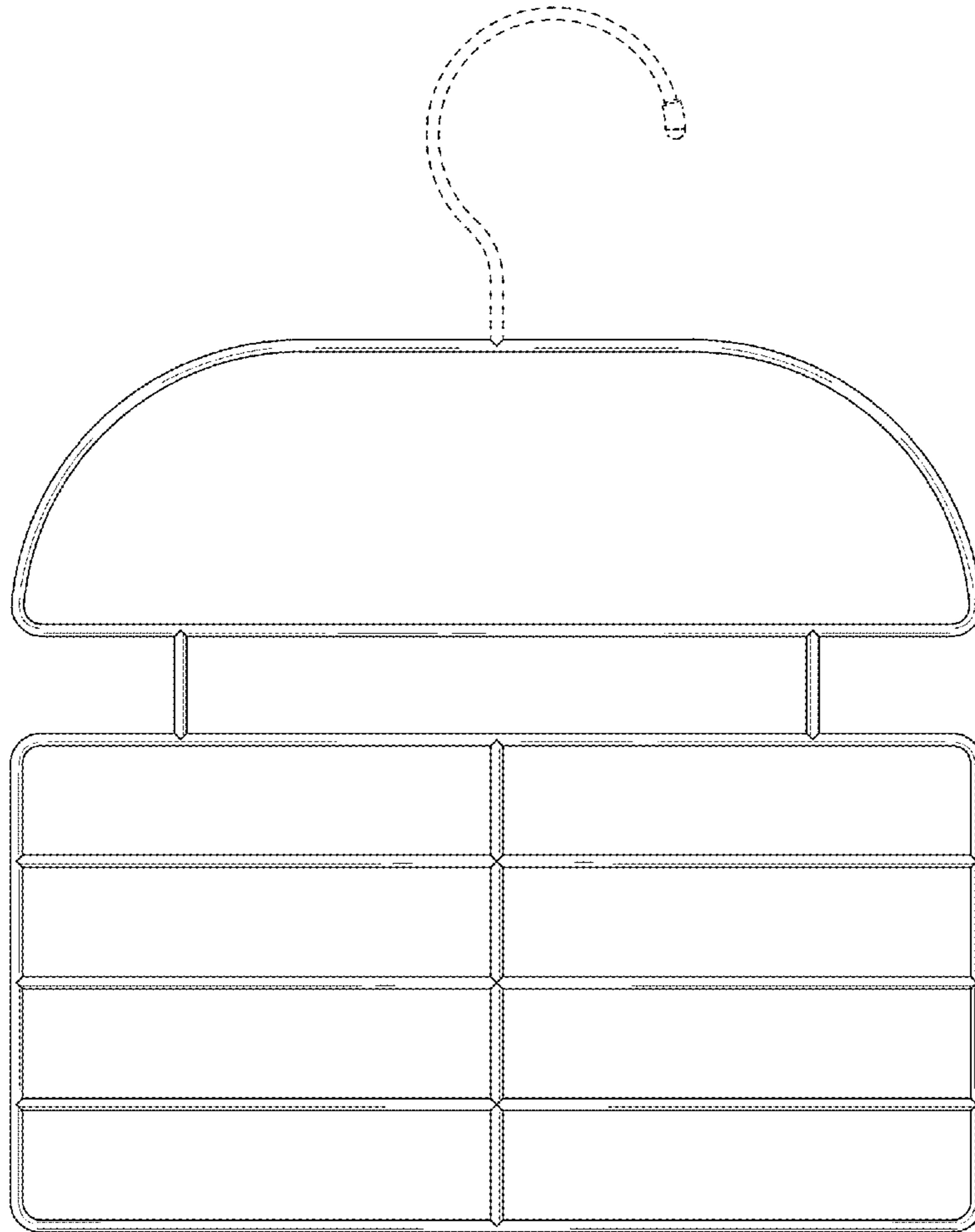


FIG. 2

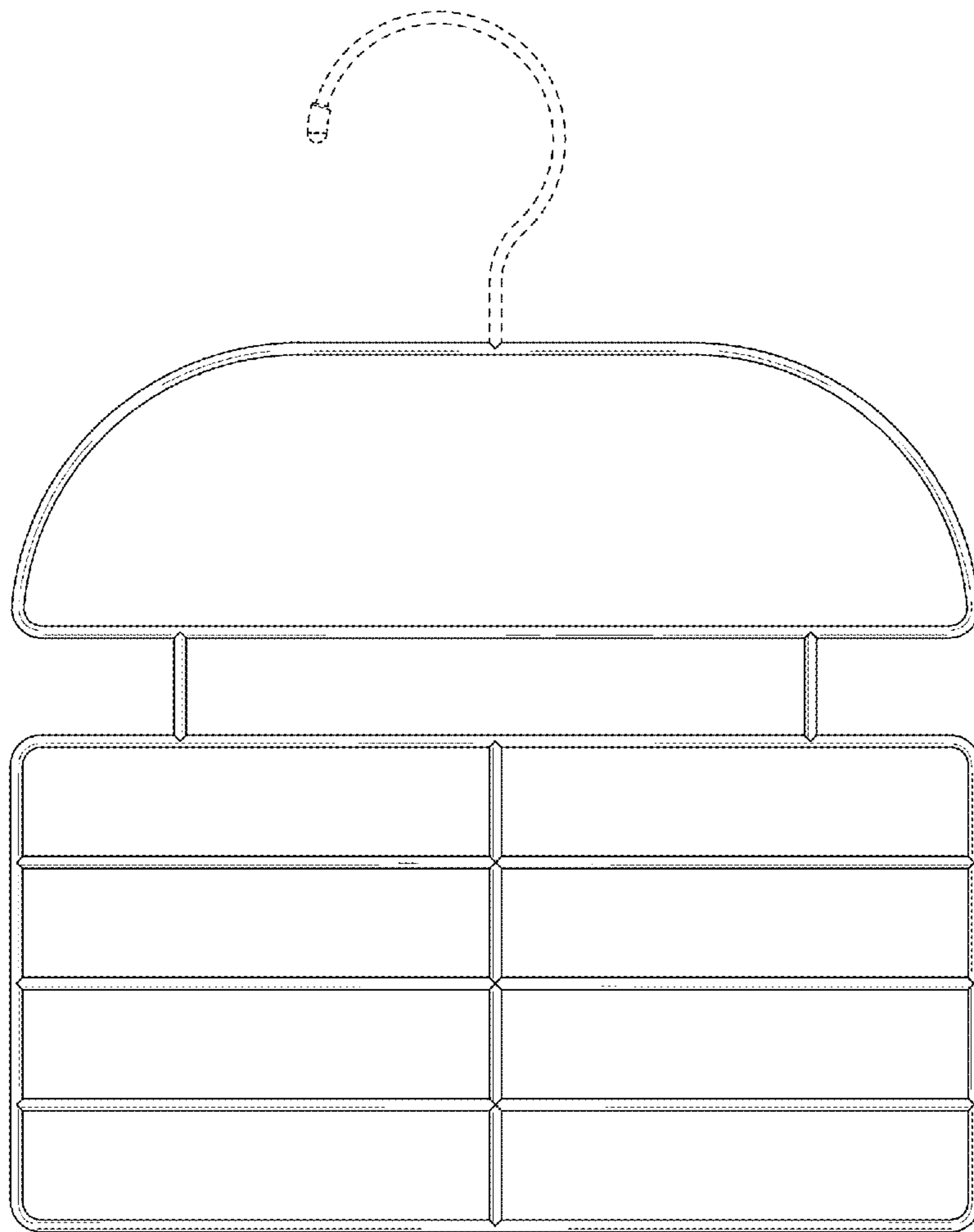


FIG. 3



FIG. 4



FIG. 5

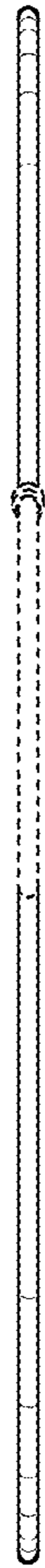


FIG. 6

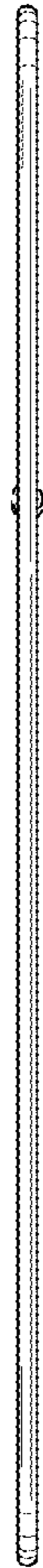


FIG. 7