



US00D720539S

(12) **United States Design Patent**  
**Scott**

(10) **Patent No.:** **US D720,539 S**  
(45) **Date of Patent:** **\*\* Jan. 6, 2015**

(54) **BOX**  
(76) Inventor: **William Mitchell Scott**, Villa Hills, KY  
(US)  
(\*\*) Term: **14 Years**  
(21) Appl. No.: **29/431,504**  
(22) Filed: **Sep. 7, 2012**  
(51) **LOC (10) Cl.** ..... **03-01**  
(52) **U.S. Cl.**  
USPC ..... **D3/307**  
(58) **Field of Classification Search**  
USPC ..... D3/302, 304–305, 307–315; D34/1;  
D19/75–76, 86, 90–91, 99–100;  
229/100, 117.13, 117.16, 120.12,  
229/120.24, 120.29; 312/183–184, 107;  
211/45–46, 10–11, 126.13  
See application file for complete search history.

(56) **References Cited**  
**U.S. PATENT DOCUMENTS**  
238,117 A 2/1881 Hillman  
600,879 A 3/1898 Louden  
(Continued)

**FOREIGN PATENT DOCUMENTS**  
JP 52-171526 12/1977  
JP 7-35313 6/1995  
(Continued)

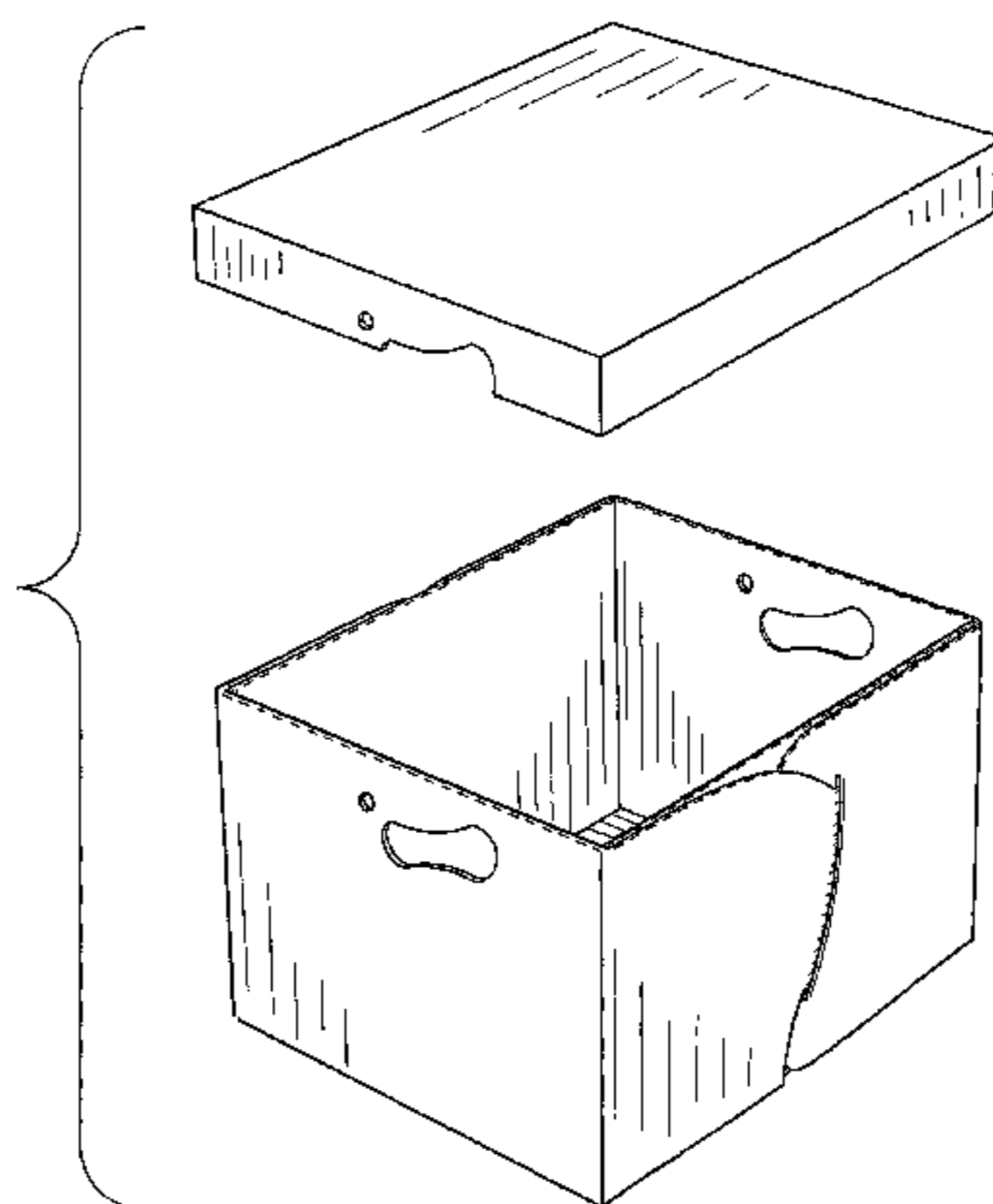
**OTHER PUBLICATIONS**  
Acrylic Desktop File Holder; [http://www.alibaba.com/product-gs/541368370/acrylic\\_desktop\\_file\\_holder.html](http://www.alibaba.com/product-gs/541368370/acrylic_desktop_file_holder.html); Copyright © 1999-2012 Alibaba.com Hong Kong Limited and licensors; printed Oct. 24, 2012; p. 1-3.  
(Continued)

*Primary Examiner* — Kelley Donnelly  
(74) *Attorney, Agent, or Firm* — Hasse & Nesbitt LLC;  
Donald E. Hasse; Daniel F. Nesbitt

(57) **CLAIM**  
I claim the ornamental design for a box, as shown and described.

**DESCRIPTION**  
FIG. 1 is an exploded perspective view of the box;  
FIG. 2 is a perspective view thereof;  
FIG. 3 is an exploded front view thereof, the back being a mirror image;  
FIG. 4 is a front view thereof, the back being a mirror image;  
FIG. 5 is an exploded side view thereof, the opposite side being a mirror image;  
FIG. 6 is a side view thereof, the opposite side being a mirror image;  
FIG. 7 is a top plan view thereof;  
FIG. 8 is a bottom plan view thereof;  
FIG. 9 is an exploded perspective view of a second embodiment of the box;  
FIG. 10 is a perspective view thereof;  
FIG. 11 is an exploded front view thereof, the back being a mirror image;  
FIG. 12 is a front view thereof, the back being a mirror image;  
FIG. 13 is an exploded side view thereof, the opposite side being a mirror image;  
FIG. 14 is a side view thereof, the opposite side being a mirror image;  
FIG. 15 is a top plan view thereof;  
FIG. 16 is a bottom plan view thereof;  
FIG. 17 is an exploded perspective view of a third embodiment of the box;  
FIG. 18 is a perspective view thereof;  
FIG. 19 is an exploded front view thereof, the back being a mirror image;  
FIG. 20 is a front view thereof, the back being a mirror image;  
FIG. 21 is an exploded side view thereof, the opposite side being a mirror image;  
FIG. 22 is a side view thereof, the opposite side being a mirror image;  
FIG. 23 is a top plan view thereof; and,  
FIG. 24 is a bottom plan view thereof.  
The broken lines shown in the drawings are for illustrative purposes only and form no part of the claimed design.

**1 Claim, 21 Drawing Sheets**



(56)

References Cited

U.S. PATENT DOCUMENTS

1,198,435 A	9/1916	Gebart	3,670,949 A	6/1972	Galanes
1,457,770 A	6/1923	Dodge	3,684,159 A	8/1972	Wolfe
1,465,691 A	8/1923	Snedeker	3,692,231 A	9/1972	Neitzke et al.
1,623,547 A	4/1927	Neumann	3,698,625 A	10/1972	Graser
1,865,688 A	7/1932	Hannaford	3,713,579 A	1/1973	Chaffers
1,897,672 A	2/1933	Neumann	3,724,920 A	4/1973	Beck
1,974,674 A	9/1934	Halladay et al.	3,727,827 A	4/1973	Stice
2,019,371 A	10/1935	Tompkins	3,797,731 A	3/1974	Weldon
2,054,355 A	9/1936	Anderson, Jr.	3,831,834 A	8/1974	Elward
2,076,065 A	4/1937	Kenneth	3,844,473 A	10/1974	Whelan
2,094,054 A	9/1937	Bixby	3,860,113 A	1/1975	Helms
2,124,409 A	7/1938	Andrews	3,862,687 A	1/1975	Pirman
RE21,386 E	3/1940	Crawford	3,910,483 A	10/1975	Ritter
2,201,462 A	5/1940	Wells et al.	3,952,940 A	4/1976	Malcolm
2,218,509 A	10/1940	Goodyear	D242,021 S	10/1976	Shanklin
2,249,265 A	7/1941	Bauder	4,030,600 A	6/1977	Heaps
2,253,008 A	8/1941	Anderson, Jr.	D244,994 S	7/1977	Flanagan
2,289,619 A	7/1942	Anderson, Jr.	4,082,215 A	4/1978	Eichenauer
2,297,284 A	9/1942	Blackman	4,101,052 A	7/1978	Dove
2,307,349 A	1/1943	Anderson, Jr.	4,114,300 A	9/1978	Holson
2,307,350 A	1/1943	Anderson, Jr.	4,127,228 A	11/1978	Hall
2,330,294 A	9/1943	Leavitt et al.	4,142,665 A	3/1979	Jewell et al.
2,365,182 A	12/1944	Ferguson	4,172,522 A	10/1979	Muller et al.
2,418,963 A	4/1947	Anderson, Jr.	4,184,625 A *	1/1980	Stollberg et al. .... 206/521.1
2,460,230 A	1/1949	Makrianes	4,199,832 A	4/1980	Glasscock et al.
2,487,302 A	11/1949	Bradley	4,201,330 A	5/1980	Gilbert
2,523,908 A	9/1950	Johnsen	4,228,904 A	10/1980	Dumond
2,537,801 A	1/1951	Swatsick	4,230,261 A	10/1980	Austin
2,544,283 A	3/1951	Snyder	4,265,391 A	5/1981	Zornes et al.
2,559,552 A	7/1951	Welshenbach	4,285,150 A	8/1981	Richardson et al.
2,561,979 A	7/1951	George	4,291,830 A	9/1981	Sorensen
2,564,948 A	8/1951	Beck, Jr. et al.	D263,899 S	4/1982	Lynn
2,597,847 A	5/1952	Reeser	4,325,493 A	4/1982	Paige
2,604,255 A	7/1952	Welshenbach	4,339,069 A	7/1982	Poteet
2,629,499 A	2/1953	Welshenbach	4,356,952 A	11/1982	Rekow
2,634,038 A	4/1953	George et al.	4,380,290 A	4/1983	Leubke
2,645,353 A	7/1953	Anderson, Jr.	2,822,973 A	2/1985	Armstrong et al.
2,654,527 A	10/1953	Geckler et al.	4,504,497 A	3/1985	Kurth et al.
2,698,124 A	12/1954	Hines	4,531,667 A	7/1985	Meade
2,757,853 A *	8/1956	Main ..... 229/117.17	4,542,832 A	9/1985	Minick et al.
2,769,550 A	11/1956	Rollins et al.	4,588,077 A	5/1986	Champlin et al.
2,788,933 A	4/1957	Kessler	4,617,702 A	10/1986	Diederich, Jr.
2,827,222 A	3/1958	Buttery	4,655,366 A	4/1987	Sykes
D186,672 S	11/1959	Gilruth	4,717,023 A	1/1988	Oprean
2,925,210 A	2/1960	Fallert	D297,214 S	8/1988	Forbes, Jr.
2,981,455 A	4/1961	Cope	4,768,704 A	9/1988	Beckway et al.
3,002,650 A	10/1961	Lovell	4,817,861 A	4/1989	Henrikson
3,005,717 A	10/1961	Pilibos	4,830,268 A	5/1989	Pitts
3,049,279 A	8/1962	Mairs et al.	4,838,436 A	6/1989	Bailey
3,107,041 A	10/1963	Wagner, Jr.	4,905,834 A	3/1990	Mur Gimeno et al.
3,114,493 A	12/1963	Dunkin	4,927,074 A	5/1990	LaRue et al.
3,118,588 A	1/1964	Noble	4,948,033 A	8/1990	Halsell, II et al.
3,138,283 A	6/1964	Peebles	4,961,497 A	10/1990	Sherer et al.
3,155,235 A	11/1964	Maich	D312,402 S	11/1990	Boggus, Jr.
D200,699 S	3/1965	Pappas	D312,531 S	12/1990	Sherer et al.
3,175,750 A	3/1965	Bump	D315,098 S	3/1991	Hutcheson
3,186,586 A	6/1965	Box	5,011,071 A	4/1991	Lopez
3,195,798 A	7/1965	Wilson	5,016,814 A	5/1991	Fullerton
3,206,098 A	9/1965	Stenger	5,042,657 A	8/1991	Dunn
3,270,946 A	9/1966	Redpath	5,042,715 A	8/1991	McNeill
D206,304 S	11/1966	Pinzke	5,064,069 A	11/1991	Su
3,282,462 A	11/1966	Box	5,076,491 A	12/1991	Freudentahl et al.
3,301,386 A	1/1967	Carter	D326,341 S	5/1992	Frauhiger
3,301,461 A	1/1967	Kroeschell	5,111,957 A	5/1992	Hollander et al.
3,314,532 A	4/1967	Henry	5,119,950 A	6/1992	Takemura
3,366,496 A	1/1968	Bomar et al.	5,148,942 A	9/1992	Snook
3,379,341 A	4/1968	Miles	5,148,973 A	9/1992	Zimmermann
3,391,698 A	7/1968	Wiles	5,156,328 A	10/1992	Wozniacki
3,392,904 A	7/1968	Wei	5,295,632 A	3/1994	Zink et al.
3,396,898 A	8/1968	Dorfmann	5,322,167 A	6/1994	Birutis et al.
3,438,562 A	4/1969	Connor et al.	D348,390 S	7/1994	Van Ness
3,568,918 A	3/1971	Blomqvist	5,333,777 A	8/1994	Roth
3,622,063 A	11/1971	McVeigh	5,335,844 A	8/1994	Young
3,664,494 A	5/1972	Mergens	5,402,932 A	4/1995	Fadaie
3,667,666 A	6/1972	Pryor	5,411,145 A	5/1995	Parks
			5,429,295 A	7/1995	Levy
			D361,892 S	9/1995	Quaintance
			5,494,161 A	2/1996	Herbst
			5,503,324 A	4/1996	Bacchetti et al.

(56)

References Cited

U.S. PATENT DOCUMENTS

5,505,371 A	4/1996	O'Neill	
5,522,628 A *	6/1996	Fillis .....	294/1.3
D372,673 S	8/1996	Turner	
5,579,917 A	12/1996	Lofgren et al.	
5,699,959 A	12/1997	Huspeka et al.	
D391,079 S	2/1998	Conti et al.	
D394,950 S	6/1998	Kite	
5,765,695 A	6/1998	Picciallo	
5,779,129 A	7/1998	Herbst et al.	
5,794,780 A	8/1998	Parrella et al.	
D398,228 S	9/1998	Herbst et al.	
D398,230 S	9/1998	Herbst et al.	
D399,366 S	10/1998	Stravitz	
5,826,728 A *	10/1998	Sheffer .....	206/774
5,839,650 A *	11/1998	Sheffer .....	229/120.11
5,884,783 A	3/1999	Proulx	
5,887,782 A	3/1999	Mueller	
5,890,650 A	4/1999	Penson	
5,908,152 A	6/1999	Tullis	
D419,302 S	1/2000	Hardy et al.	
D420,704 S	2/2000	Coe	
D421,183 S	2/2000	Koskinen	
6,036,042 A	3/2000	Pietruch et al.	
D422,499 S	4/2000	Herbst et al.	
D423,587 S	4/2000	Conley et al.	
D424,117 S	5/2000	Steinbeck et al.	
D425,128 S	5/2000	Conley et al.	
D425,562 S *	5/2000	Conley et al. ....	D19/90
6,057,180 A	5/2000	Sun et al.	
6,059,180 A	5/2000	Collins	
6,070,719 A	6/2000	Pollock	
6,098,873 A *	8/2000	Sheffer .....	229/178
6,116,498 A *	9/2000	Sheffer .....	229/114
6,123,254 A	9/2000	Dupuis	
6,135,347 A	10/2000	Mueller	
D434,223 S	11/2000	Dombrowski	
6,149,052 A	11/2000	Mueller	
6,164,461 A	12/2000	Ward et al.	
D436,728 S	1/2001	Harding	
D441,653 S	5/2001	LeRoux	
D442,780 S	5/2001	Hiernard	
6,237,840 B1	5/2001	Grabowski et al.	
D443,592 S *	6/2001	Frattini .....	D13/152
6,290,124 B2	9/2001	Andrews, Sr. et al.	
D448,567 S	10/2001	Buss	
D448,568 S	10/2001	Sadr	
6,311,891 B1	11/2001	Gardner	
D451,675 S	12/2001	Hardy et al.	
D453,275 S	2/2002	Stravitz	
6,352,157 B1	3/2002	Srinivasan	
D461,120 S	8/2002	Ostro	
D461,125 S *	8/2002	Decello et al. ....	D9/432
6,439,452 B1	8/2002	Tsao	
6,499,781 B1	12/2002	Flynn	
D468,638 S	1/2003	Nogami et al.	
6,527,167 B1	3/2003	Sheffer	
D477,165 S *	7/2003	Petri .....	D6/510
D477,217 S	7/2003	Riedi	
6,604,675 B2	8/2003	Southwell	
6,619,540 B1	9/2003	Bazany	
D480,273 S	10/2003	Cordwell	
6,641,032 B1	11/2003	Schilling	
6,669,080 B2	12/2003	Ong	
D485,466 S	1/2004	Haruhiro	
6,705,515 B2	3/2004	Dowd	
6,708,874 B1	3/2004	Montgomery	
6,719,191 B1	4/2004	Christensen et al.	
D494,759 S	8/2004	Louie et al.	
D495,490 S	9/2004	Garrett et al.	
6,830,156 B2	12/2004	MacKelvie	
D503,614 S	4/2005	Sax et al.	
6,889,893 B2	5/2005	Kent	
D507,404 S	7/2005	Moon et al.	
D508,042 S	8/2005	Oikawa	
D510,521 S	10/2005	Lebras	
D510,823 S	10/2005	Ng et al.	
D518,526 S	4/2006	Benn	
D518,708 S	4/2006	Ohayon	
D526,357 S	8/2006	Killinger et al.	
D526,893 S	8/2006	Nixon	
D527,424 S	8/2006	Long	
D536,964 S	2/2007	Smith et al.	
D539,036 S	3/2007	Potts et al.	
D542,033 S	5/2007	Kopenhaver et al.	
7,210,614 B2	5/2007	Mazurek	
D548,072 S	8/2007	Nixon	
D548,782 S	8/2007	Nash	
D549,096 S	8/2007	Ayats et al.	
D549,575 S	8/2007	Pinkstone	
D551,860 S *	10/2007	Northrop .....	D3/288
D558,047 S	12/2007	Pinkstone	
D561,023 S *	2/2008	Jacxsens .....	D9/431
7,331,451 B2	2/2008	Focke et al.	
D569,105 S	5/2008	Van Hoorn	
D570,684 S	6/2008	Kisch	
7,387,350 B2	6/2008	Killinger et al.	
D575,452 S	8/2008	Jones et al.	
7,410,094 B2	8/2008	Bos	
7,438,198 B2	10/2008	Pickles	
D581,782 S	12/2008	Kisch	
D583,660 S	12/2008	Steiger et al.	
D587,996 S	3/2009	Steiger et al.	
D599,202 S	9/2009	Whiteside	
7,611,020 B2	11/2009	Prest	
D610,000 S	2/2010	Schantz	
7,654,408 B2	2/2010	Bazany	
D610,904 S	3/2010	Russell et al.	
D613,899 S	4/2010	Whittier et al.	
D614,484 S	4/2010	Schantz	
D615,775 S	5/2010	Fairbanks	
D617,185 S	6/2010	Wager	
7,726,552 B2	6/2010	Chadima	
D619,453 S *	7/2010	Petaccia .....	D9/418
D622,140 S	8/2010	Elhalwani	
D627,562 S	11/2010	Osiecki et al.	
D629,163 S	12/2010	Sullivan	
D633,296 S	3/2011	Potts et al.	
D641,620 S	7/2011	Hammond et al.	
D643,302 S	8/2011	Stone	
D651,076 S	12/2011	Van Berlo	
8,079,474 B1	12/2011	Flaming	
D657,562 S	4/2012	McNamara	
D657,748 S	4/2012	Hargreaves et al.	
8,152,050 B2	4/2012	Busam et al.	
D658,407 S	5/2012	Pung et al.	
D661,096 S	6/2012	Dretzka	
D662,133 S	6/2012	Smith et al.	
8,220,701 B2	7/2012	Fontaine et al.	
D665,846 S	8/2012	Chuang	
8,251,276 B2	8/2012	McLeod	
D666,830 S	9/2012	Glenn	
D671,321 S *	11/2012	Scott .....	D3/304
D671,322 S	11/2012	Scott	
D671,323 S	11/2012	Scott	
D678,058 S	3/2013	Vanden Boom et al.	
D680,427 S	4/2013	Macaulay et al.	
D680,428 S	4/2013	Vanden Boom et al.	
D685,264 S	7/2013	Lal et al.	
D685,649 S	7/2013	Banuelos	
D690,126 S	9/2013	Ogawa	
D710,442 S *	8/2014	Stravitz .....	D19/90
2001/0052477 A1	12/2001	McNeill	
2002/0125308 A1	9/2002	McLeod	
2003/0168502 A1	9/2003	Kisch	
2003/0183679 A1	10/2003	Ong	
2005/0029260 A1	2/2005	Sheng-Bin	
2005/0241971 A1	11/2005	Zou et al.	
2005/0284906 A1	12/2005	Potts et al.	
2006/0022026 A1	2/2006	Yandian et al.	
2006/0054669 A1	3/2006	Hsieh	
2006/0243784 A1	11/2006	Glaser et al.	
2006/0266807 A1	11/2006	Shook	
2007/0051787 A1	3/2007	Schille et al.	
2007/0272630 A1	11/2007	DeLuca	

(56)

**References Cited**

U.S. PATENT DOCUMENTS

2008/0054059	A1	3/2008	Chadima
2008/0093233	A1	4/2008	Jones et al.
2008/0173703	A1	7/2008	Westerman et al.
2009/0020444	A1	1/2009	Green
2009/0282843	A1	11/2009	Brand
2010/0314268	A1	12/2010	Goodman

FOREIGN PATENT DOCUMENTS

JP	10-152125	6/1998
JP	2001-1294231 A	10/2001
JP	2003-026157	1/2003
JP	2004-526633	9/2004
JP	2006-021808	1/2006
JP	2009-029481	2/2009
WO	WO 99/25621	5/1999

OTHER PUBLICATIONS

Acrylic Magazine Holder (m Shape); [http://www.alibaba.com/product-gs/274660307/Acrylic\\_magazine\\_holder\\_M\\_shape\\_.html](http://www.alibaba.com/product-gs/274660307/Acrylic_magazine_holder_M_shape_.html); Copyright © 1999-2012 Alibaba.com Hong Kong Limited and licensors; printed Oct. 24, 2012; p. 1-2.

Zigzag Acrylic Literature [http://www.alibaba.com/product-gs/294904097/zigzag\\_acrylic\\_literature\\_magazine\\_holder\\_acrylic.html](http://www.alibaba.com/product-gs/294904097/zigzag_acrylic_literature_magazine_holder_acrylic.html); Copyright © 1999-2012 Alibaba.com Hong Kong Limited and licensors; printed Oct. 24, 2012; p. 1-3.

Kantek Acrylic Mini Sorter—KTKAD50; <http://www.discountofficeitems.com/office-supplies/desk-organizers/desk-organizers-holders/desktop-file-sorters/kantek-acrylic-mini-sorter/p14879.html>; Cart Reference # DGL1647F; Copyright © 2012 DiscountOfficeItems.com; printed Oct. 24, 2012; p. 1-3.

Lebon, Hilary (Social Media Pro/Consultant) Marketing Idea for the Day—Corrugated Plastic Totes; <http://www.mdi.org/index.php/marketing-idea-for-the-day-corrugated-plastic-totes/>; Jun. 28, 2011; Copyright © 2010 MDI; p. 1-3.

PCT Search Report and Written Opinion for Corresponding PCT Application No. PCT/US2012/036980; mailed Dec. 3, 2012; pp. 1-9. Photo 1 of United States Postal Service bin; published prior to Apr. 28, 2012.

Photo 2 of United States Postal Service bins; published prior to Apr. 28, 2012.

Screen Shot of No. 1555 tote and 1560 tote; published prior to Apr. 28, 2012.

U.S. Appl. No. 13/441,434, filed Apr. 6, 2012, William M. Scott, Container With Grips.

U.S. Appl. No. 13/448,349, filed Apr. 16, 2012, William M. Scott, Strengthening Insert for a Corrugated Box.

U.S. Appl. No. 29/391,489, filed May 9, 2011, William M. Scott, Novel Box.

U.S. Appl. No. 29/391,490, filed May 10, 2011, William M. Scott, Novel Box & Private Label.

U.S. Appl. No. 29/391,491, filed May 10, 2011, William M. Scott, Box.

U.S. Appl. No. 29/391,492, filed May 10, 2011, William M. Scott, Box.

U.S. Appl. No. 29/419,400, filed Apr. 27, 2012, William M. Scott, Box With Locking Ports.

U.S. Appl. No. 29/419,603, filed Apr. 30, 2012, William M. Scott, Box.

U.S. Appl. No. 29/438,590, filed Nov. 30, 2012, William M. Scott, Box.

U.S. Appl. No. 29/419,507, filed Apr. 28, 2012, William M. Scott, Carrying Tote.

U.S. Appl. No. 29/438,066, filed Nov. 26, 2012, William M. Scott, Carrying Tote.

U.S. Appl. No. 29/419,508, filed Apr. 28, 2012, William M. Scott, Carrying Tote.

U.S. Appl. No. 29/438,072, filed Nov. 26, 2012, William M. Scott, Carrying Tote.

U.S. Appl. No. 29/419,510, filed Apr. 28, 2012, William M. Scott, Carrying Tote.

U.S. Appl. No. 29/438,077, filed Nov. 26, 2012, William M. Scott, Carrying Tote.

U.S. Appl. No. 29/431,415, filed Sep. 7, 2012, William M. Scott, Box.

U.S. Appl. No. 29/431,416, filed Sep. 7, 2012, William M. Scott, Box.

U.S. Appl. No. 29/431,417, filed Sep. 7, 2012, William M. Scott, Box.

U.S. Appl. No. 13/606,059, filed Sep. 7, 2012, William M. Scott, Shipping Container With Grips and Locking Ports.

U.S. Appl. No. 29/431,504, filed Sep. 7, 2012, William M. Scott, Box.

U.S. Appl. No. 29/431,507, filed Sep. 7, 2012, William M. Scott, Box.

U.S. Appl. No. 13/673,246, filed Nov. 9, 2012, William M. Scott, Document Holding Device.

U.S. Appl. No. 29/436,876, filed Nov. 9, 2012, William M. Scott, Document Partition.

U.S. Appl. No. 29/436,882, filed Nov. 9, 2012, William M. Scott, Shaped Document Partition.

PCT Search Report and Written Opinion for Corresponding PCT Application No. PCT/US2012/037402; mailed Feb. 14, 2013; pp. 1-15.

\* cited by examiner

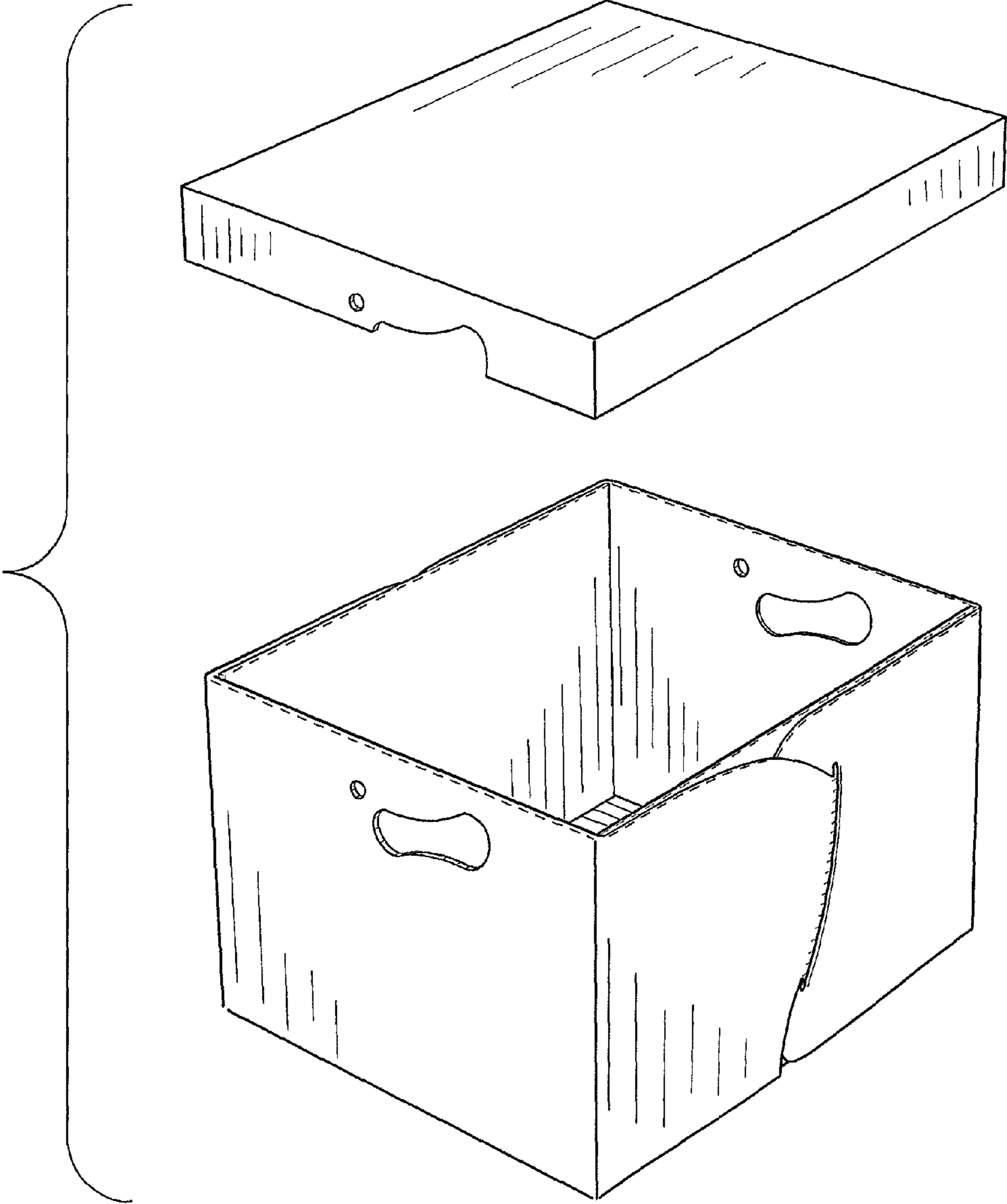


FIG. 1

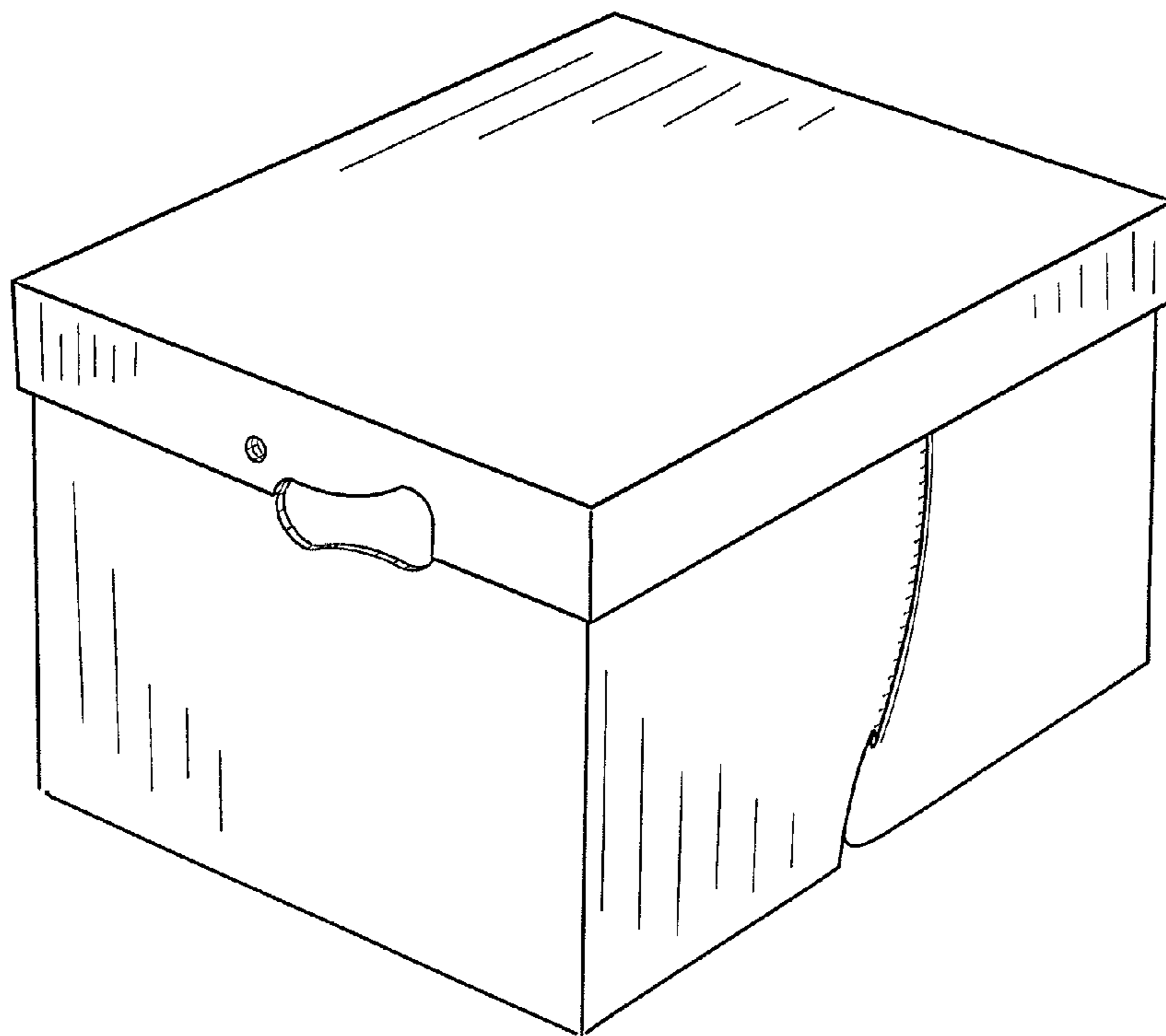


FIG. 2

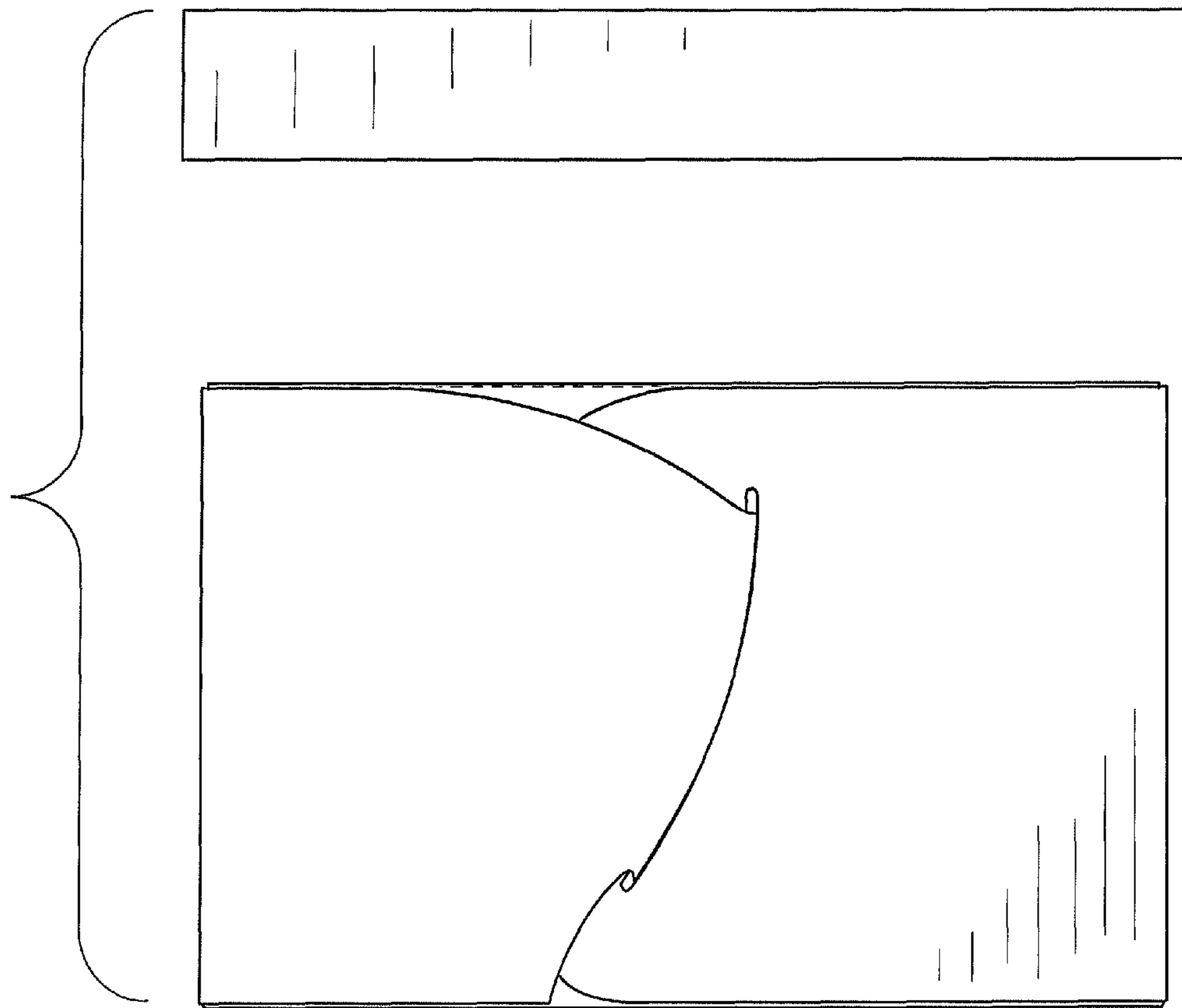


FIG. 3

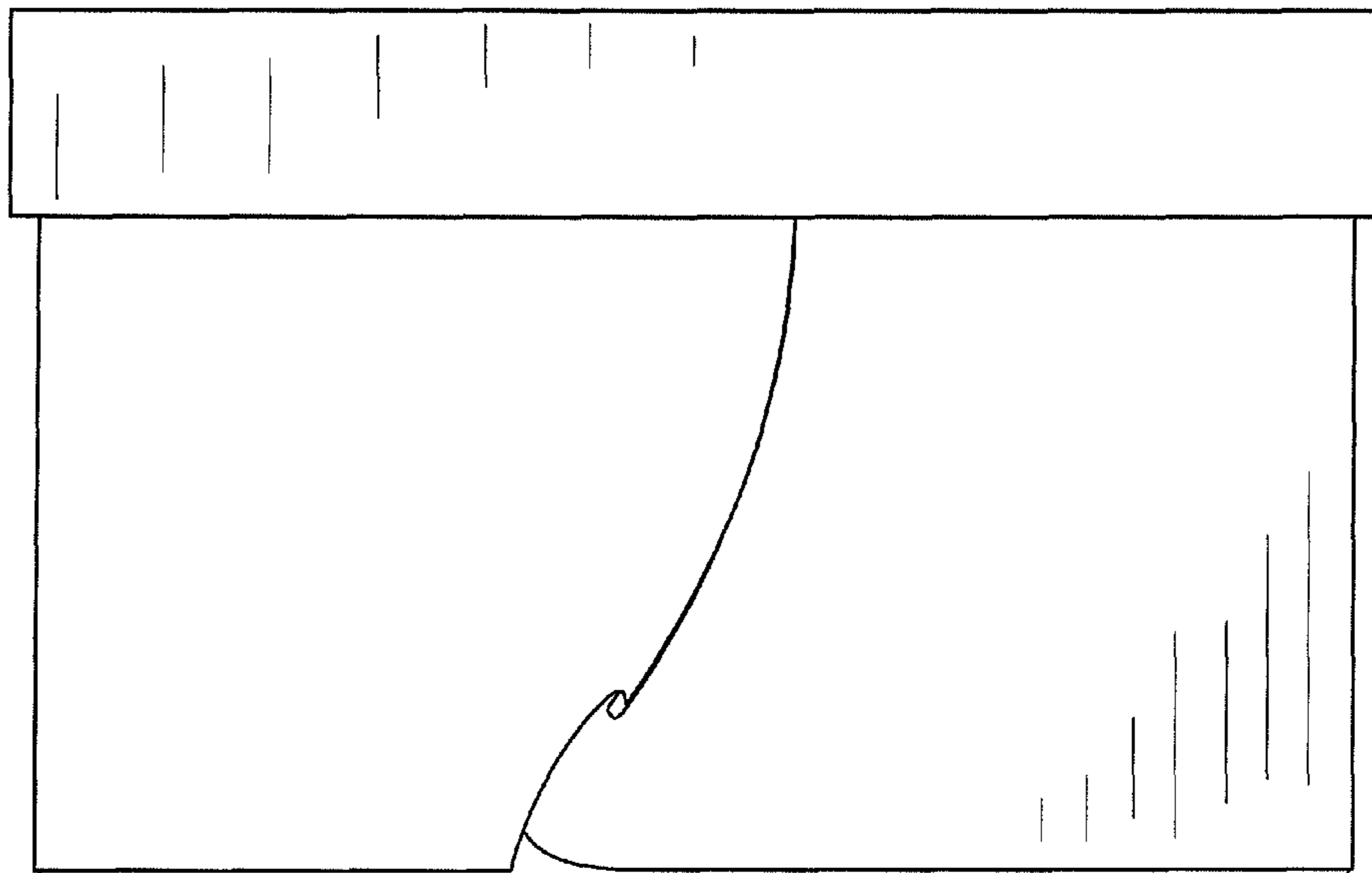


FIG. 4



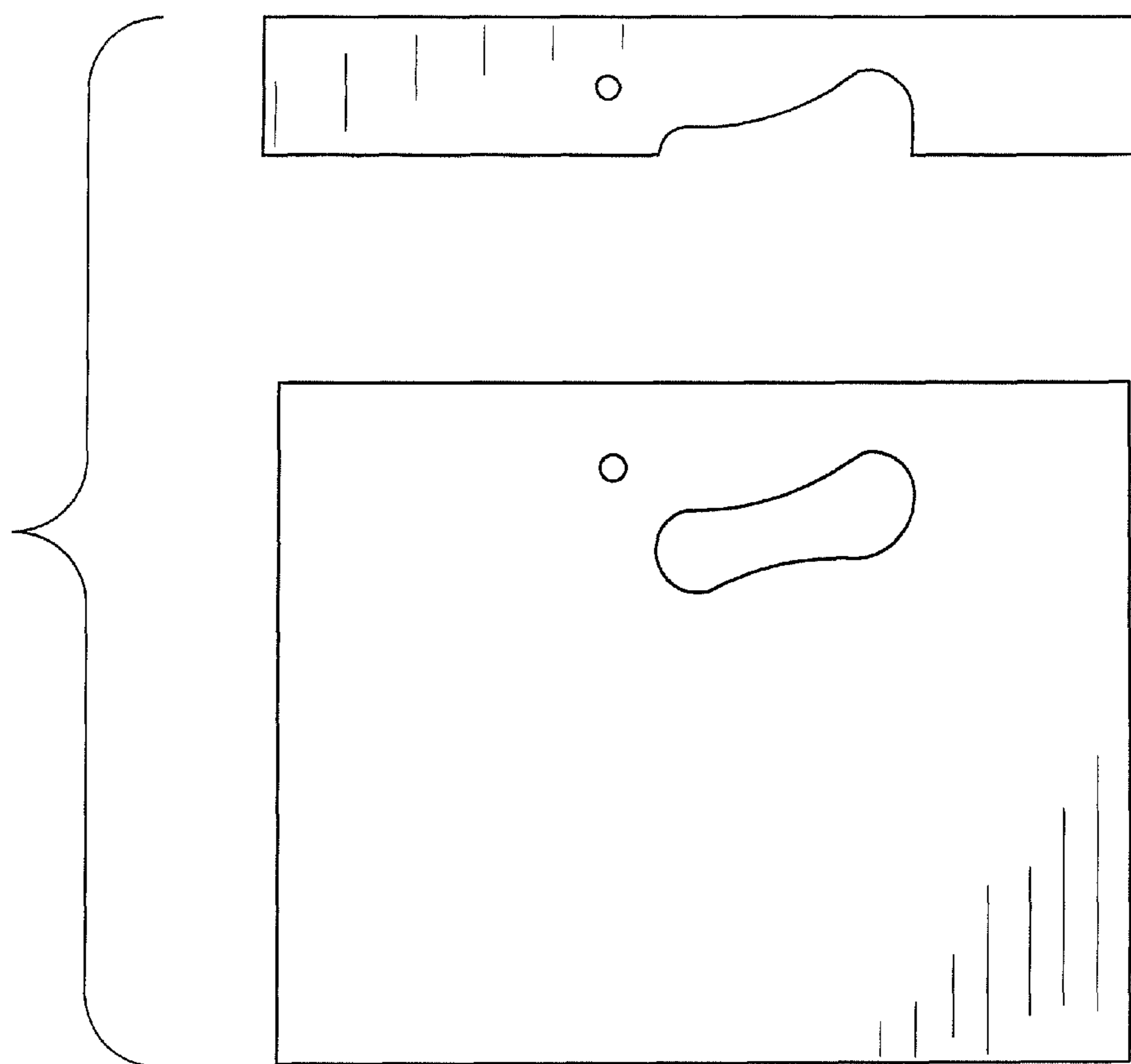


FIG. 5

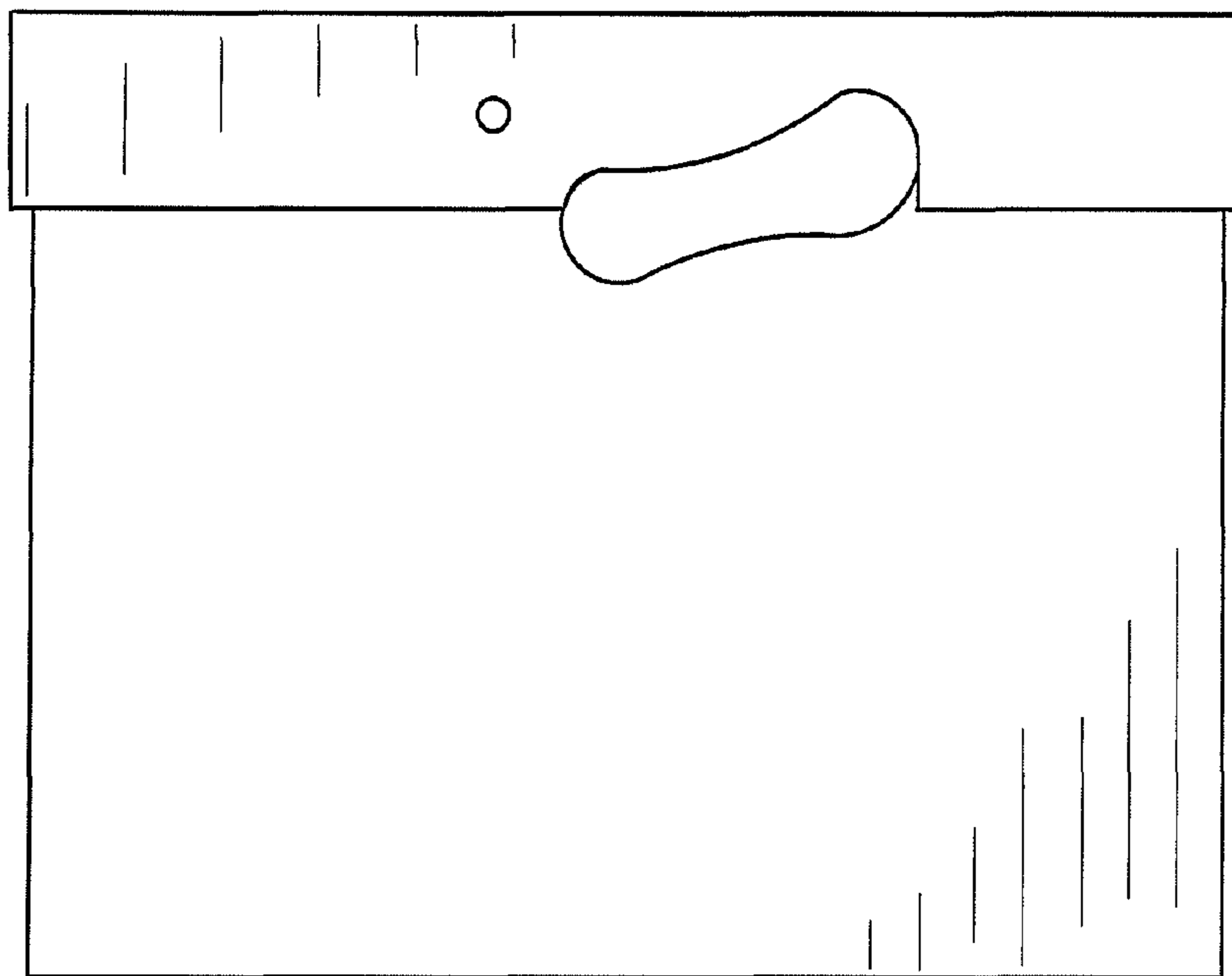


FIG. 6

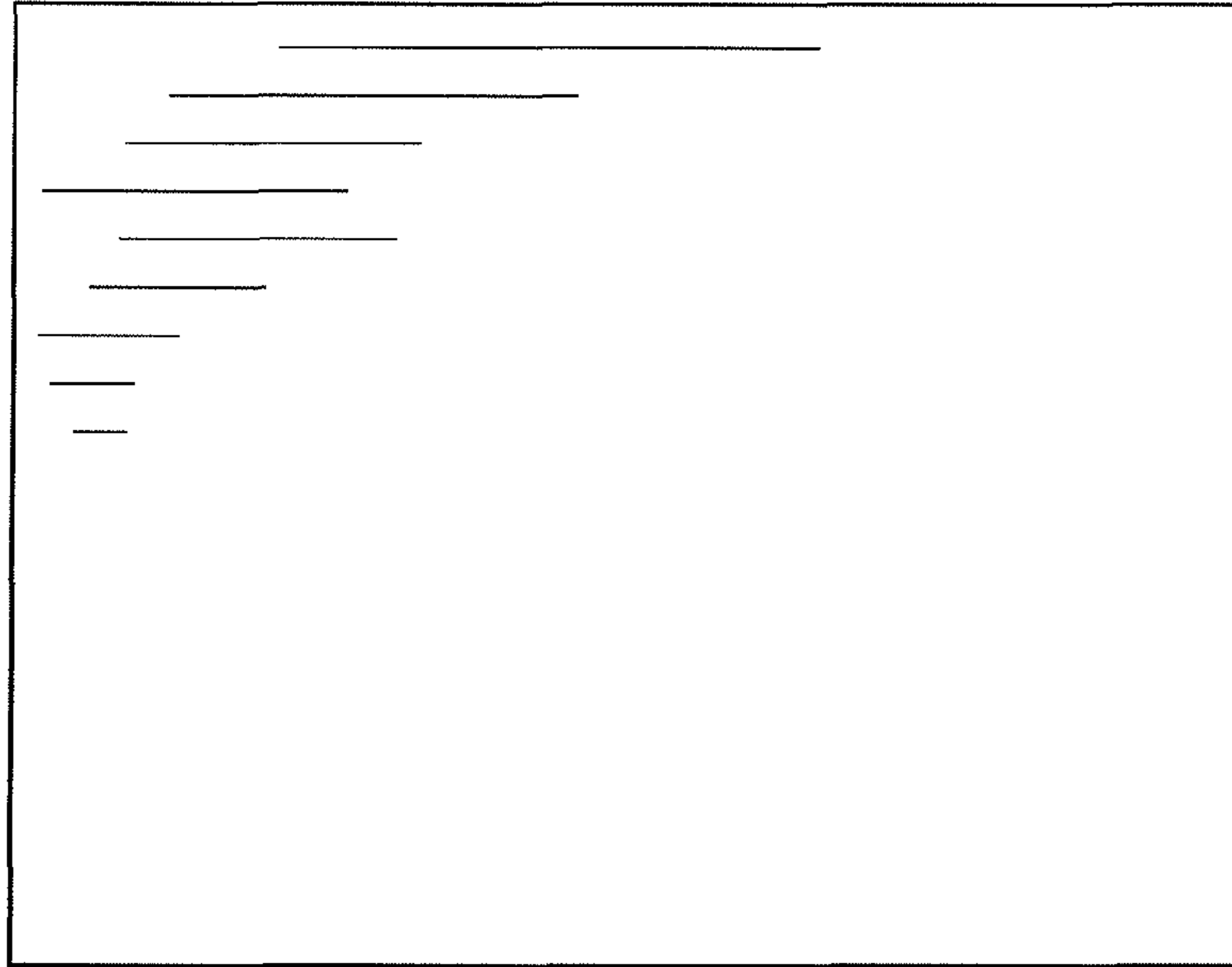


FIG. 7

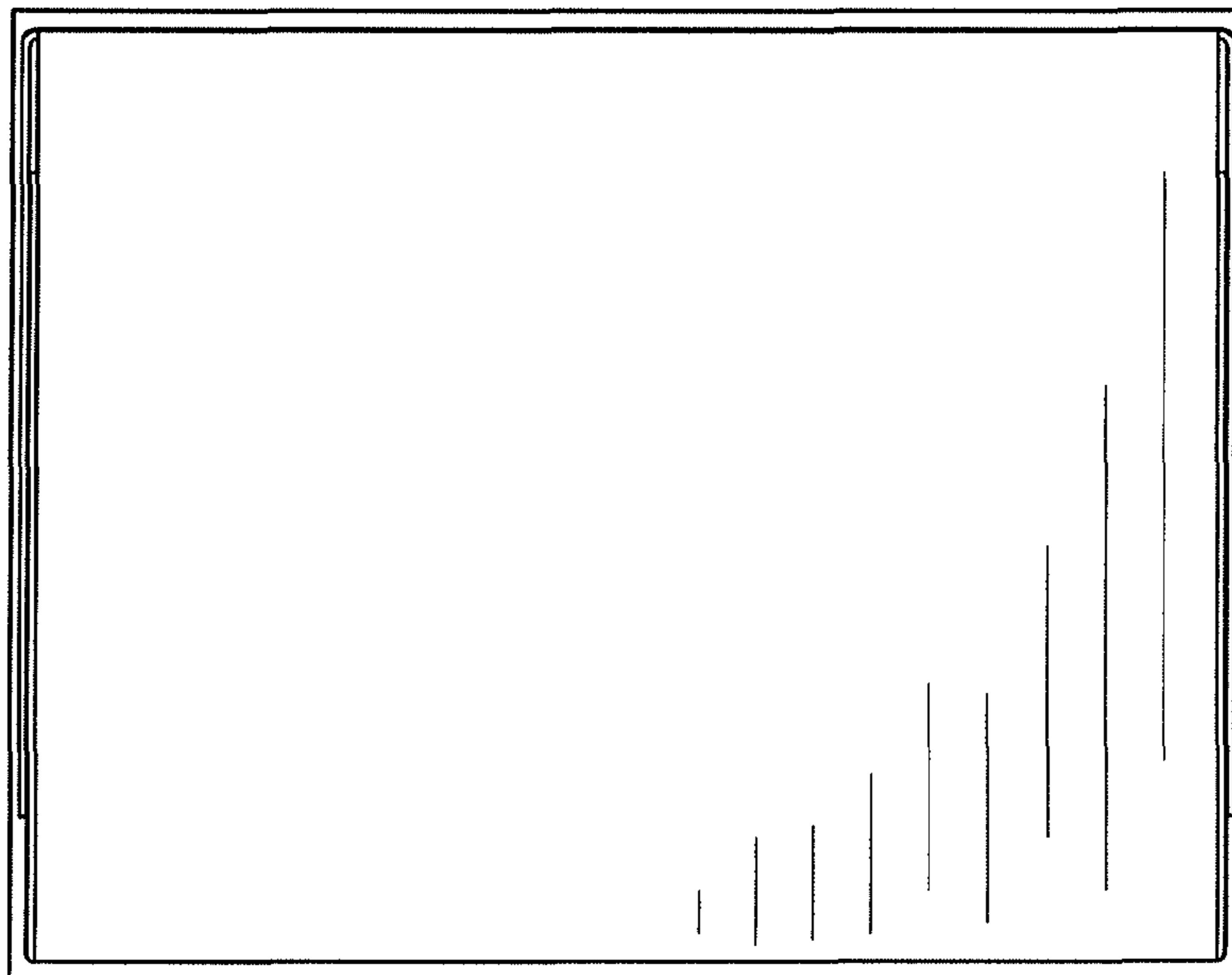


FIG. 8

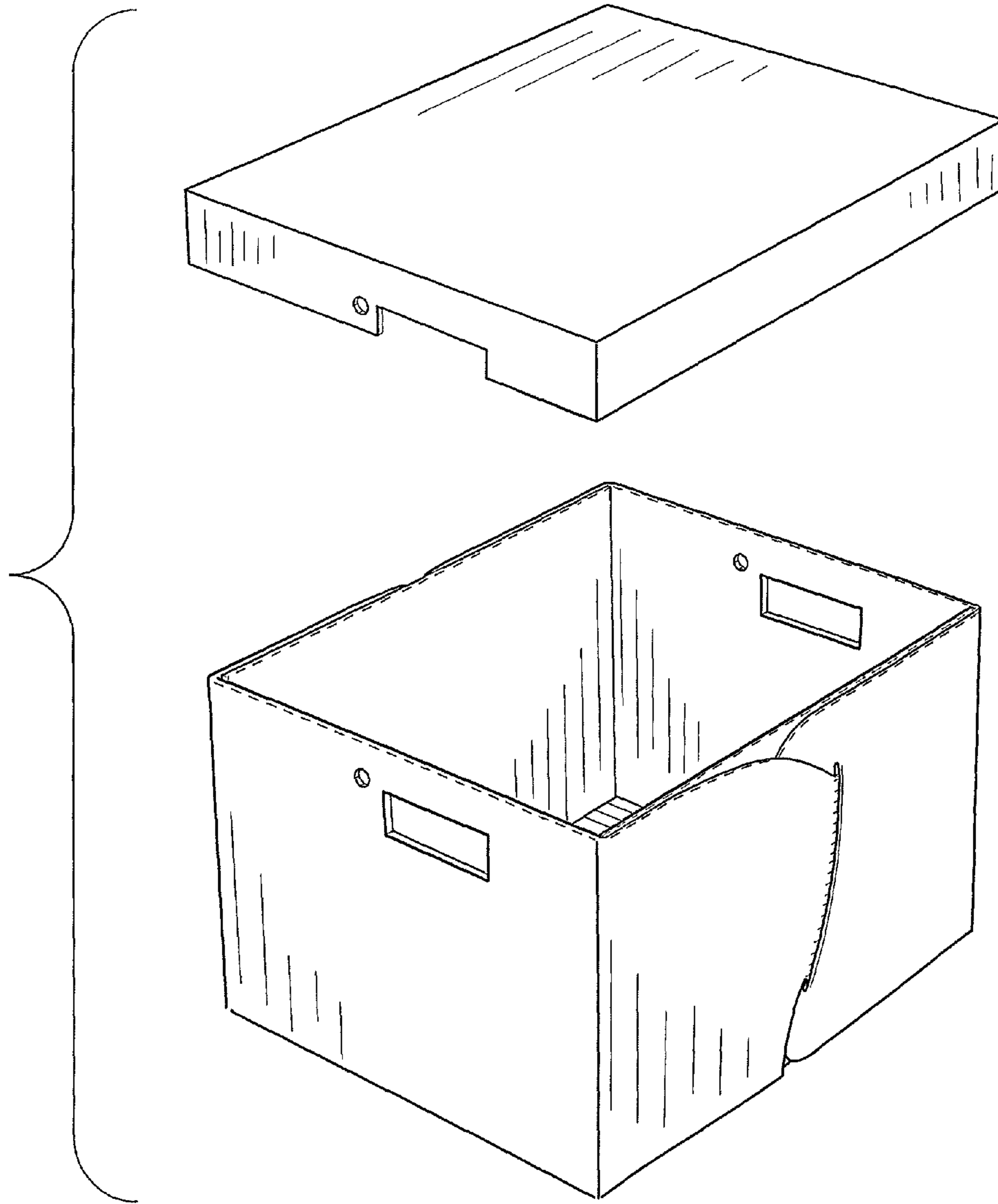


FIG. 9

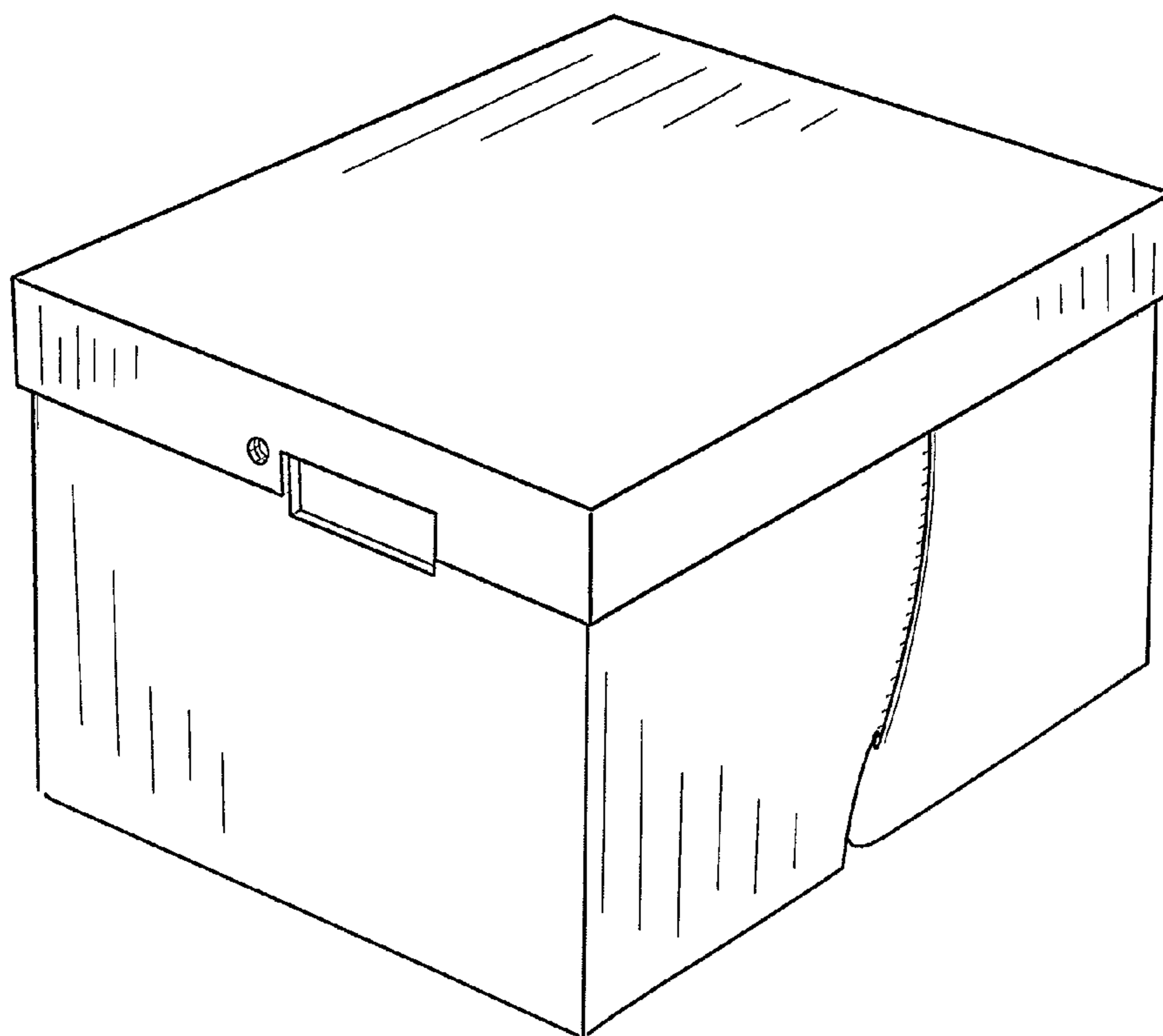


FIG. 10

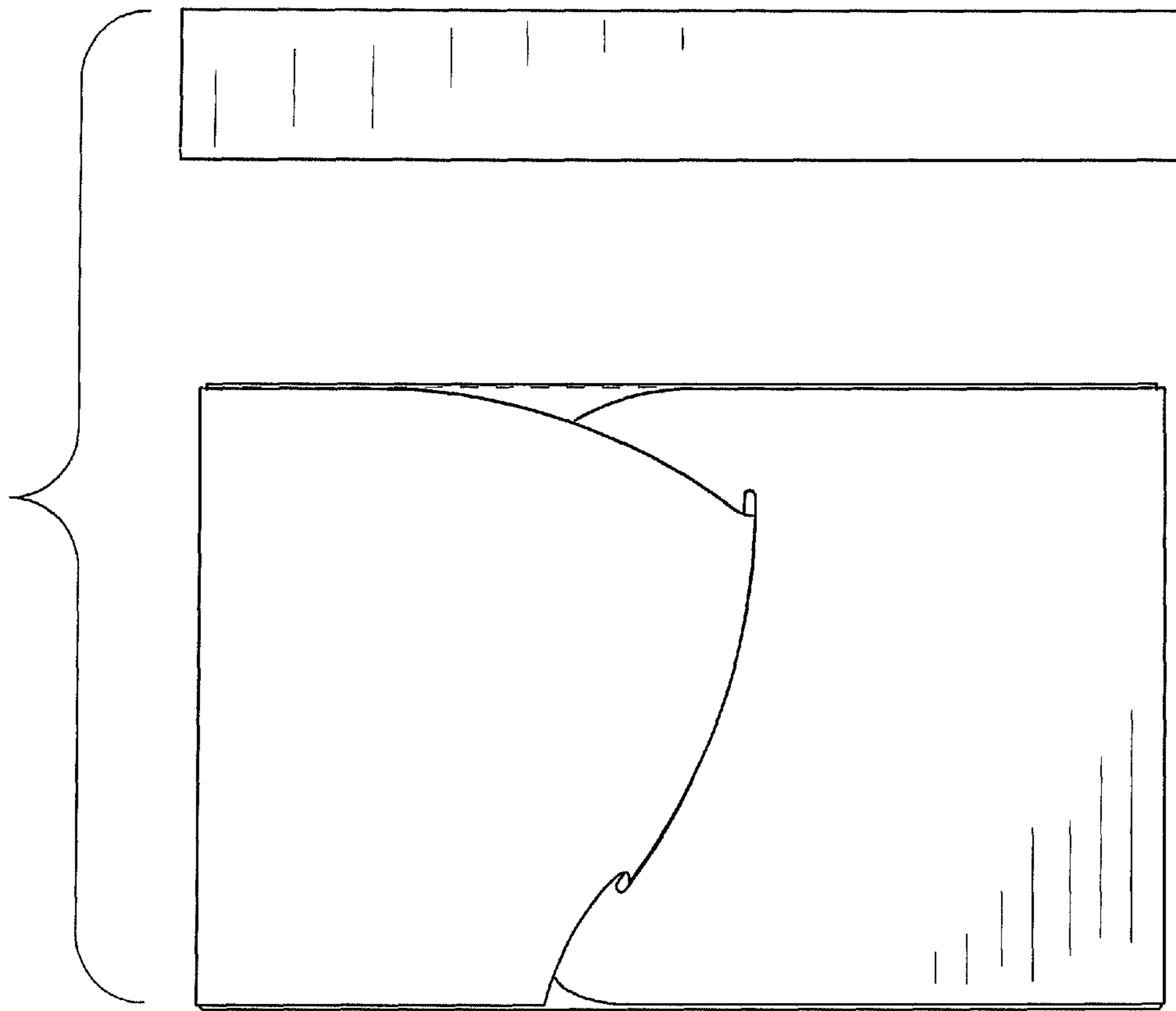


FIG. 11

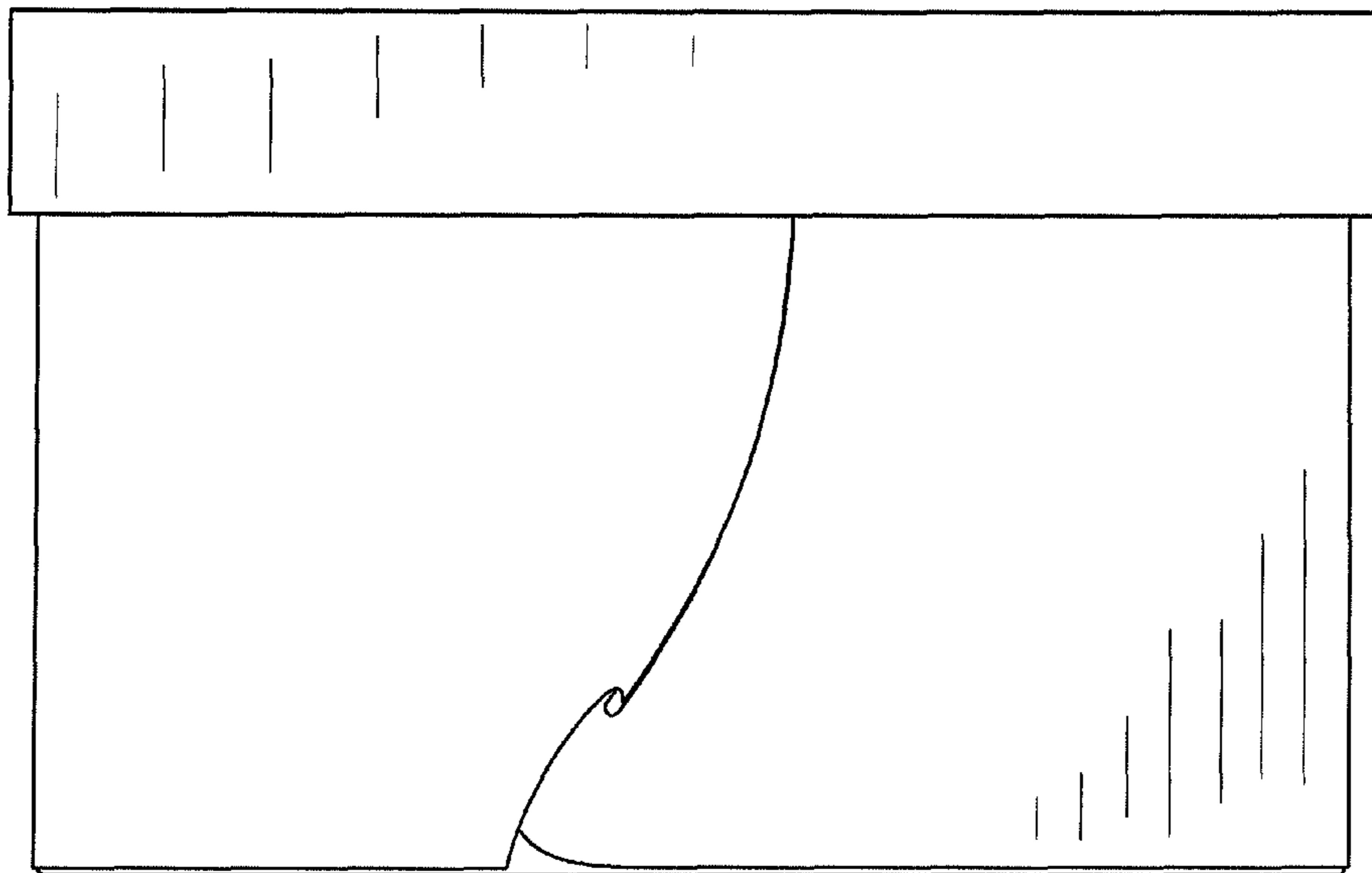


FIG. 12

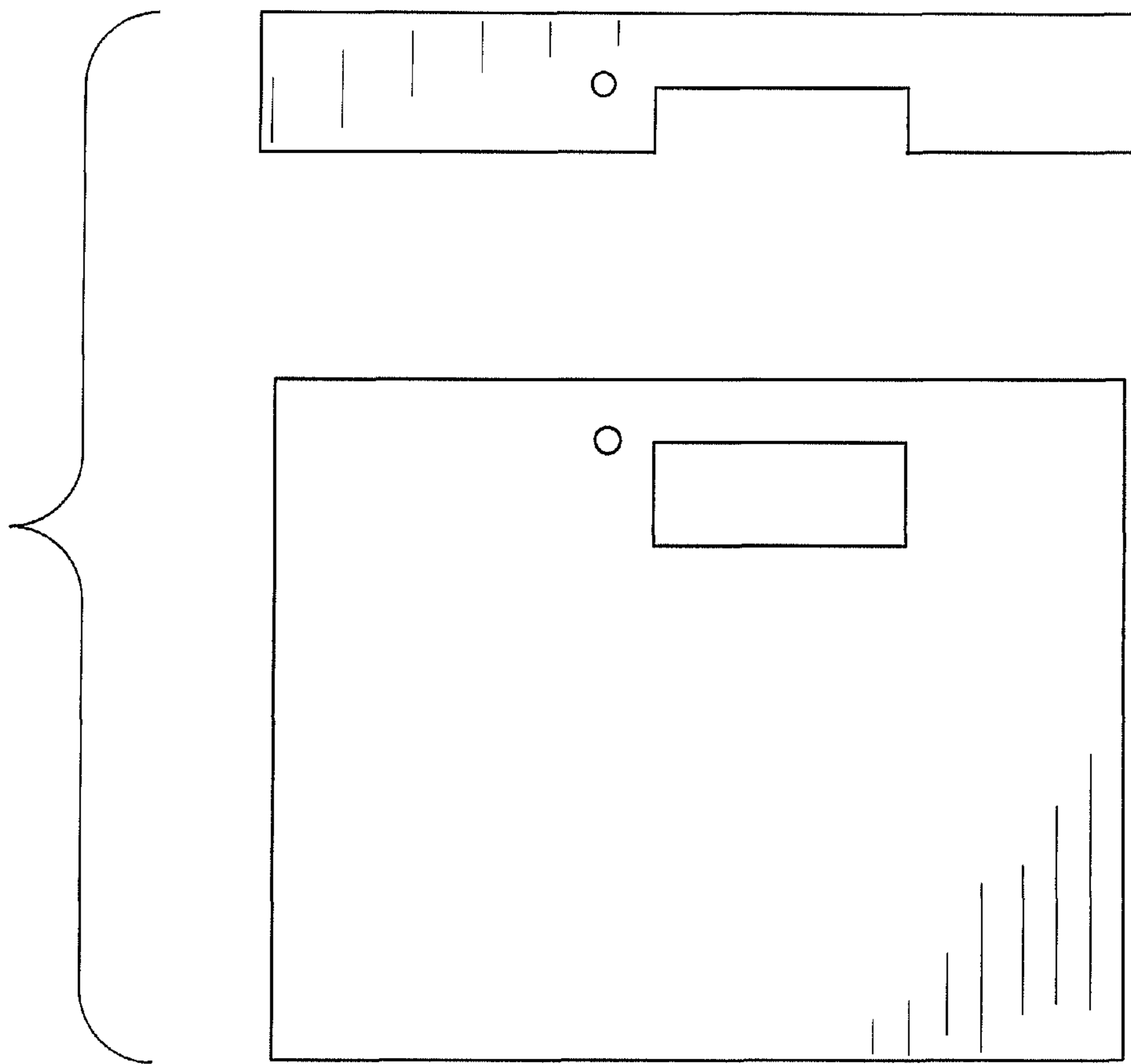


FIG. 13



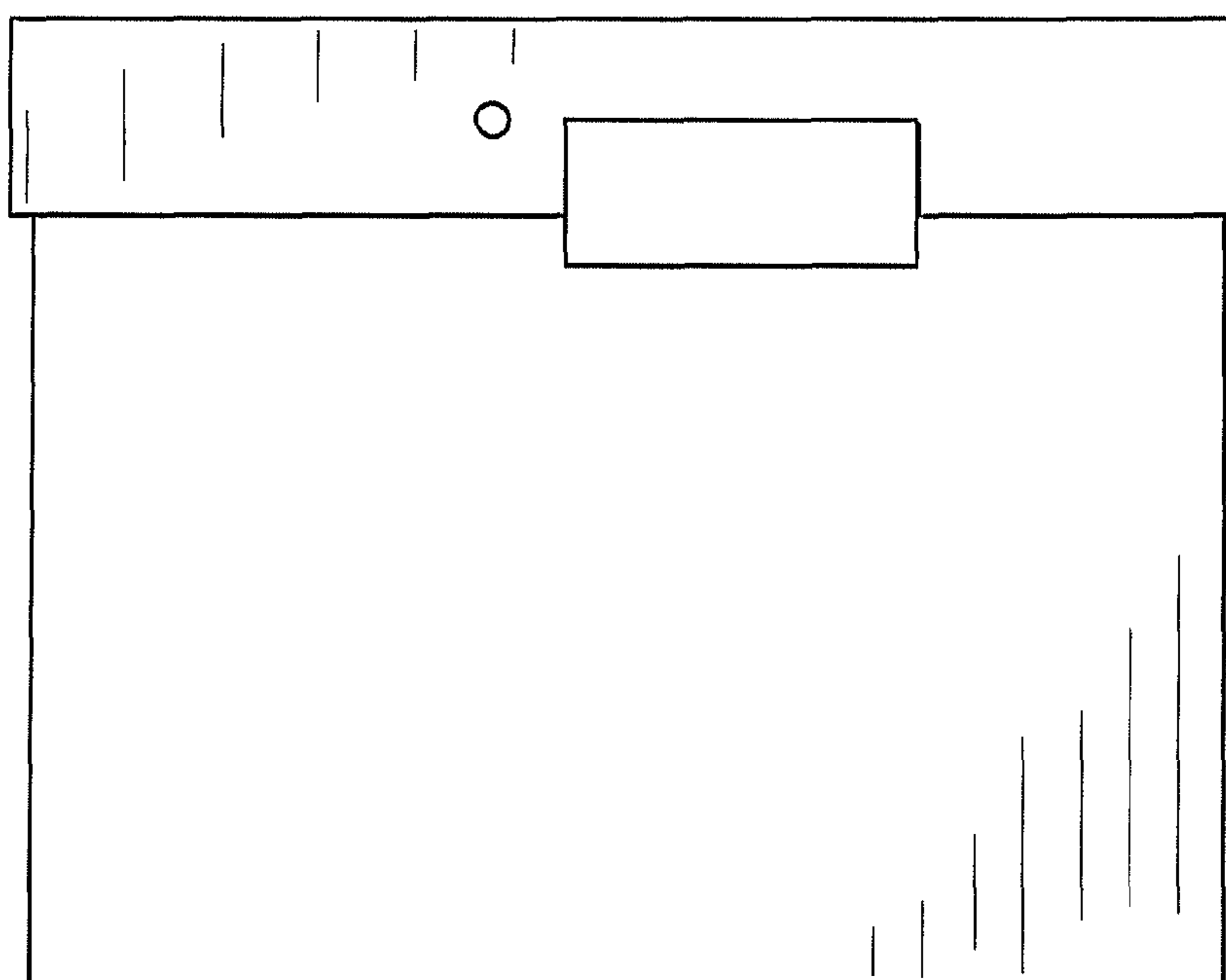


FIG. 14

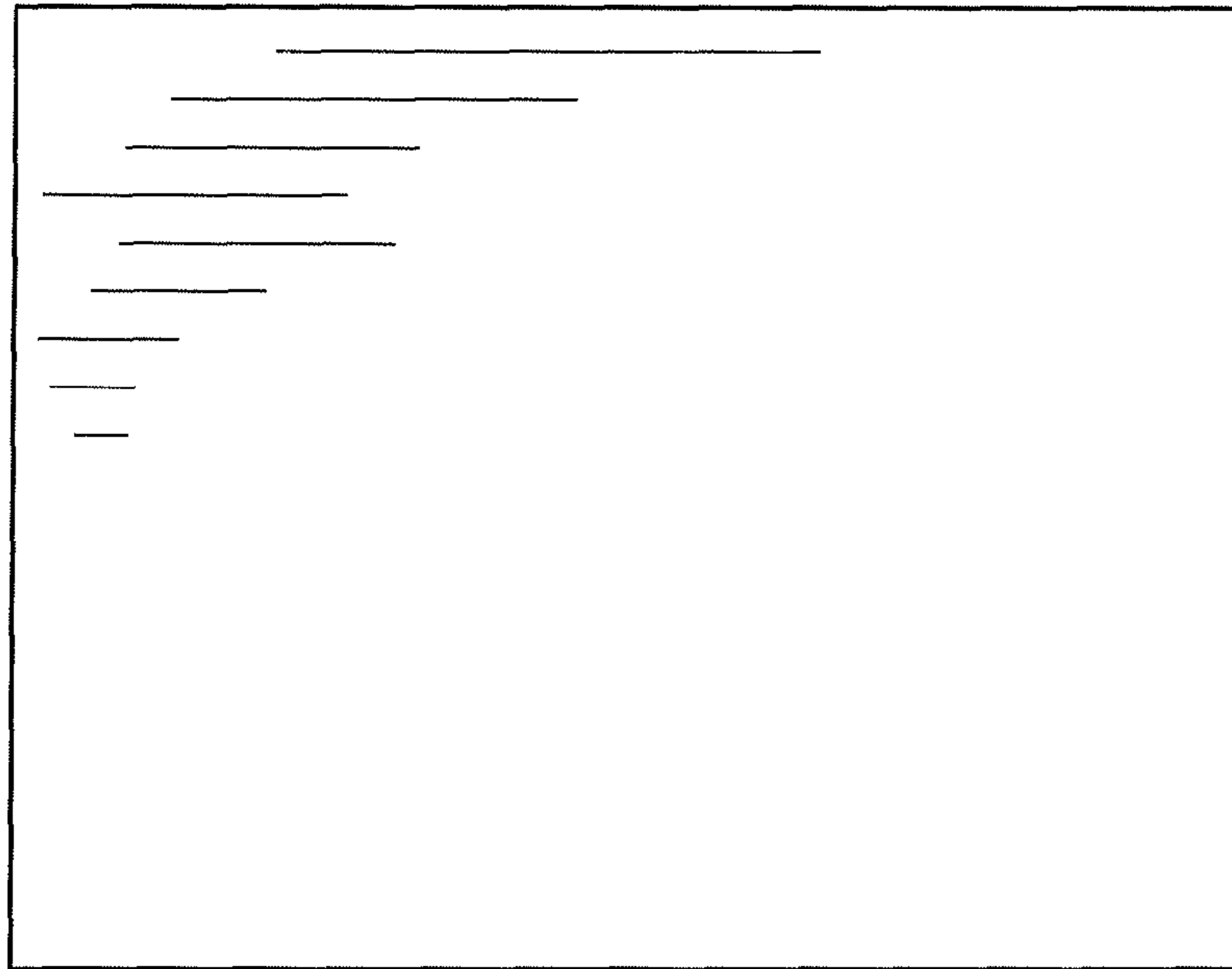


FIG. 15

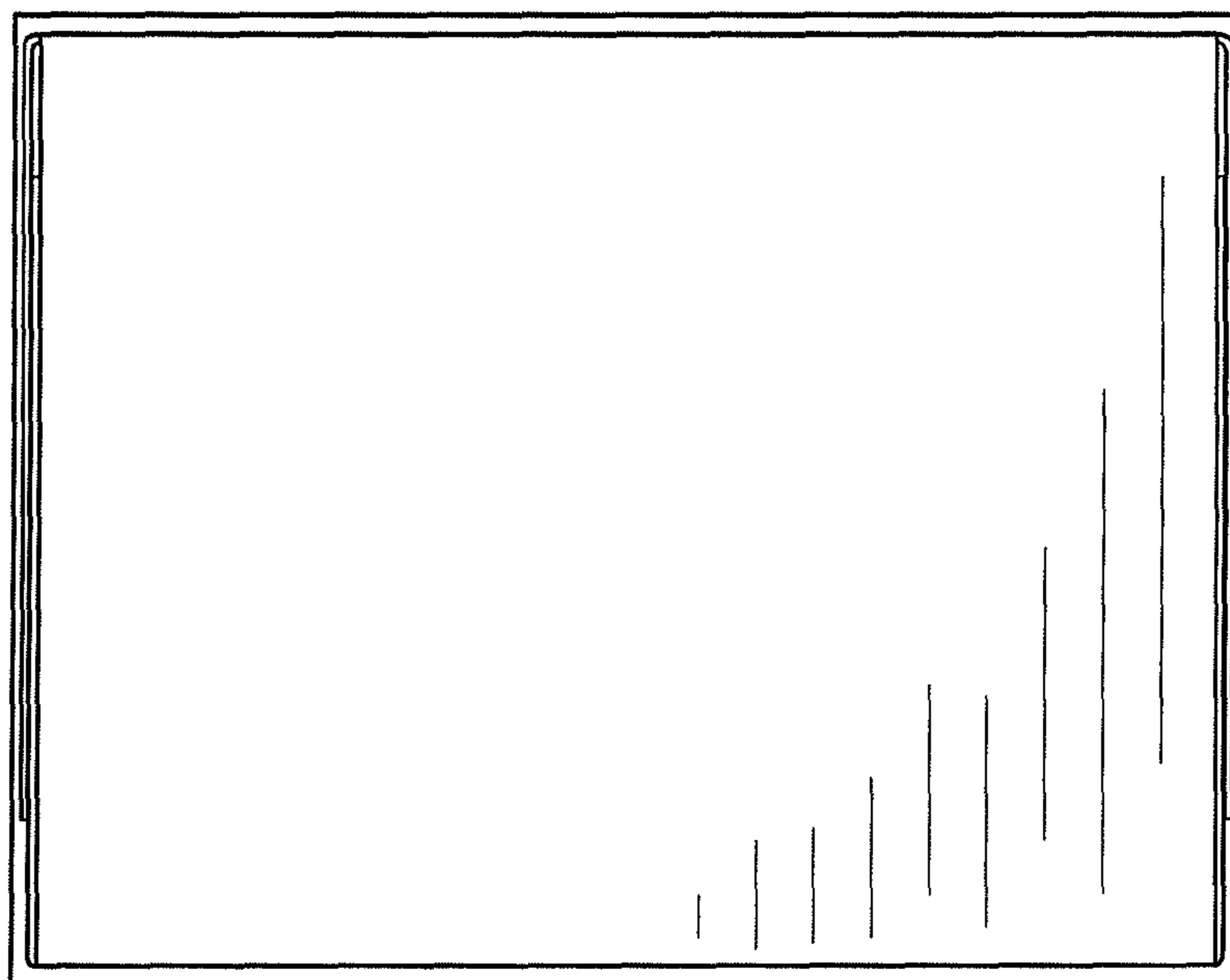


FIG. 16

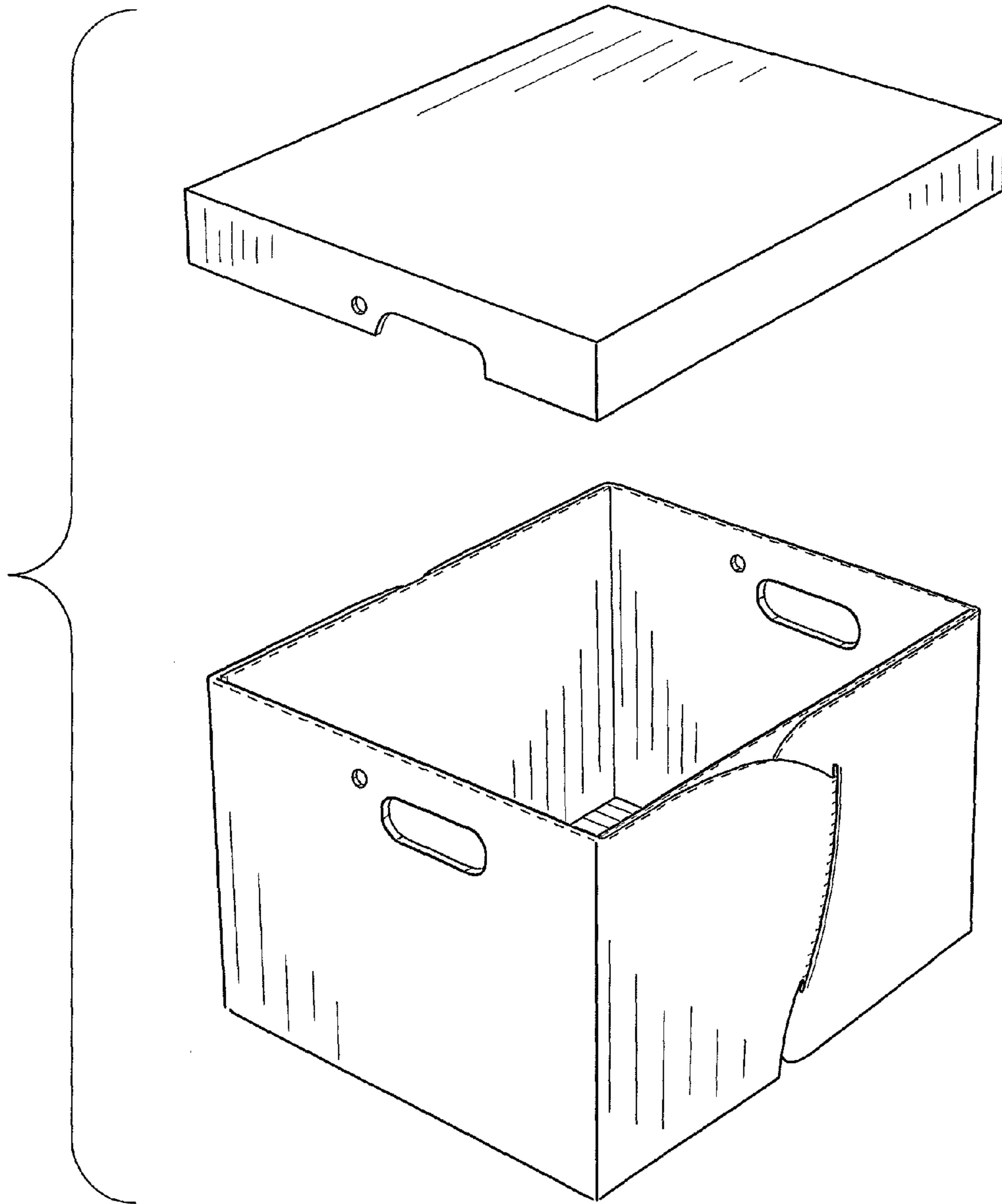


FIG. 17

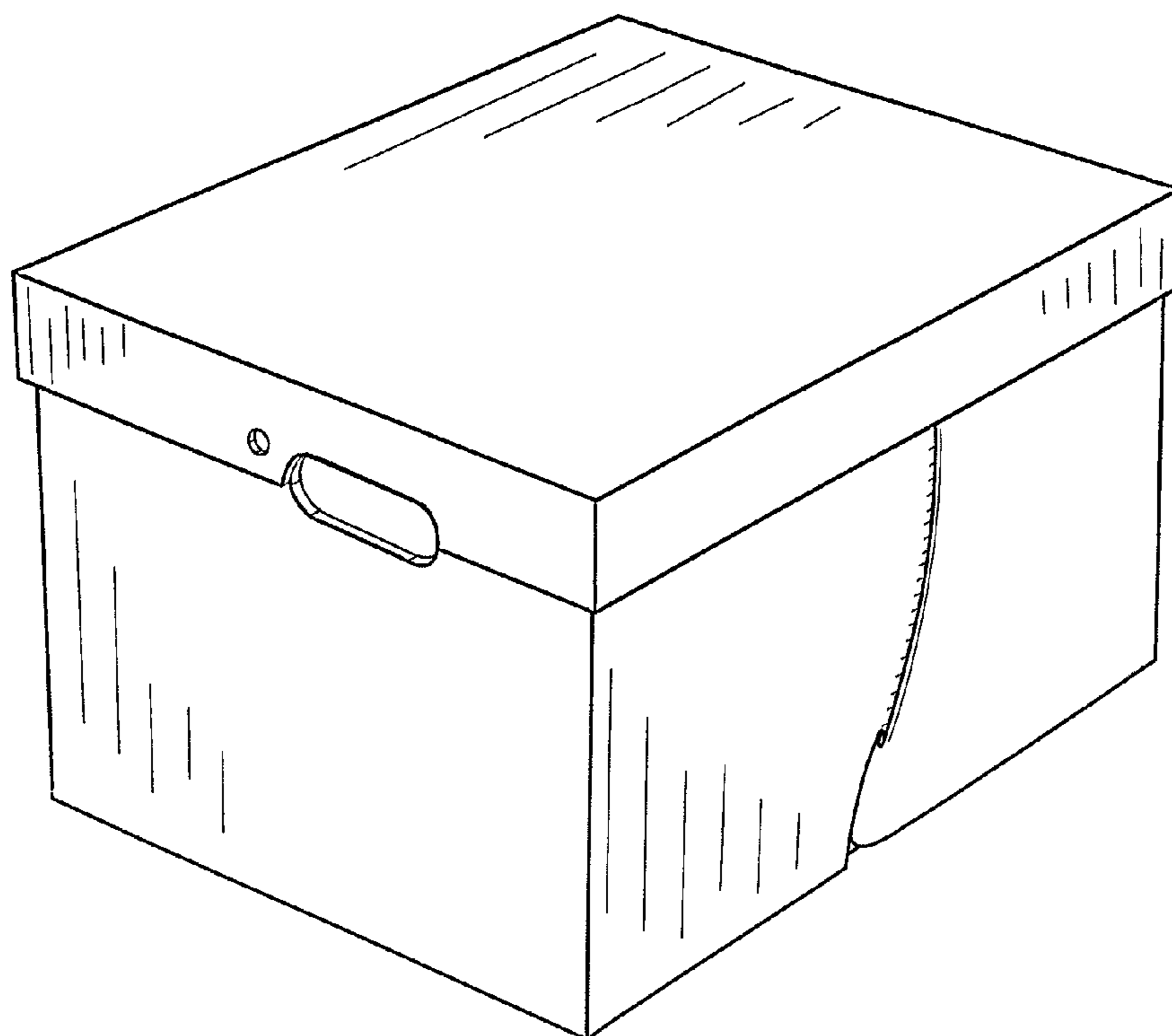


FIG. 18

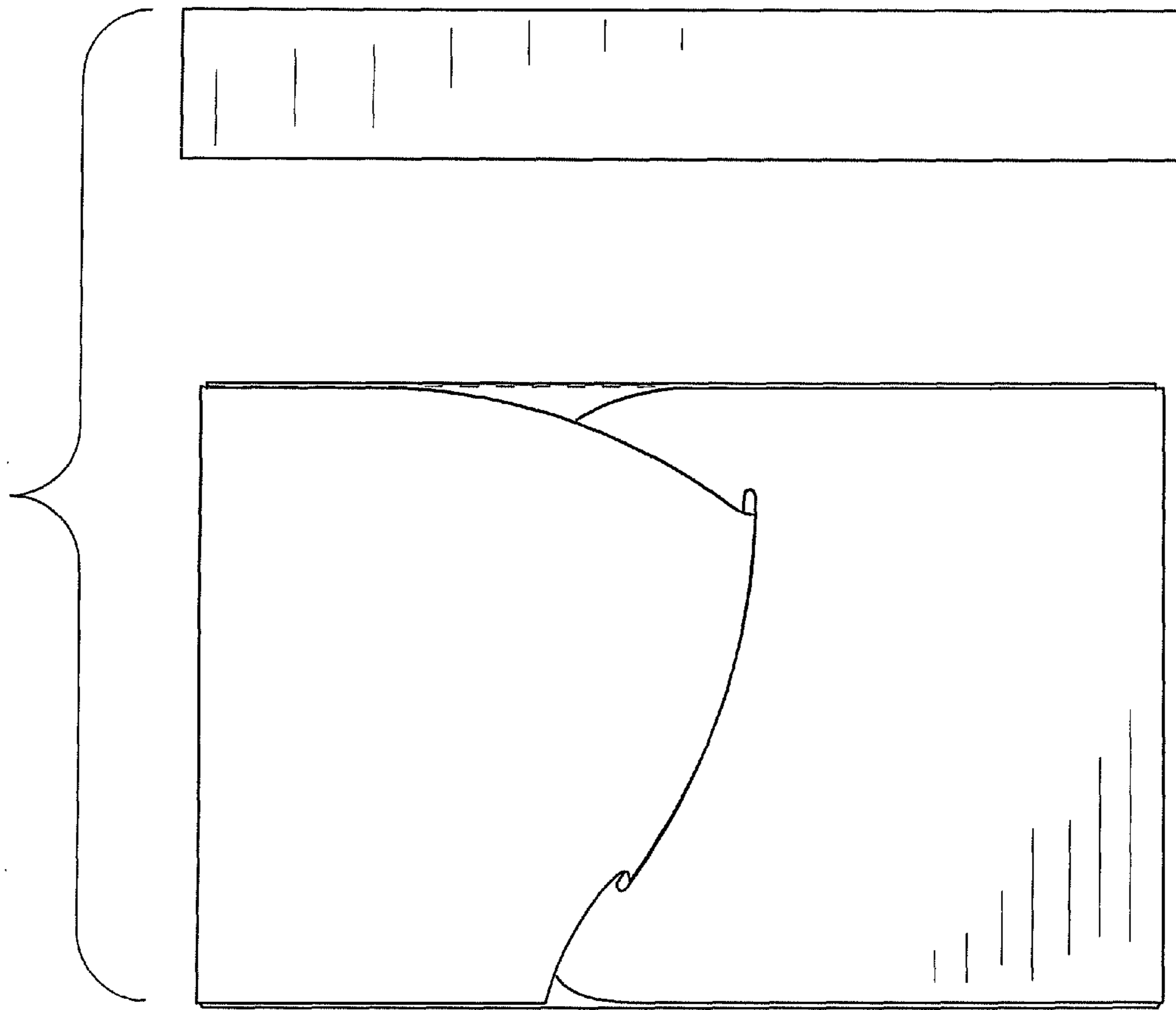


FIG. 19

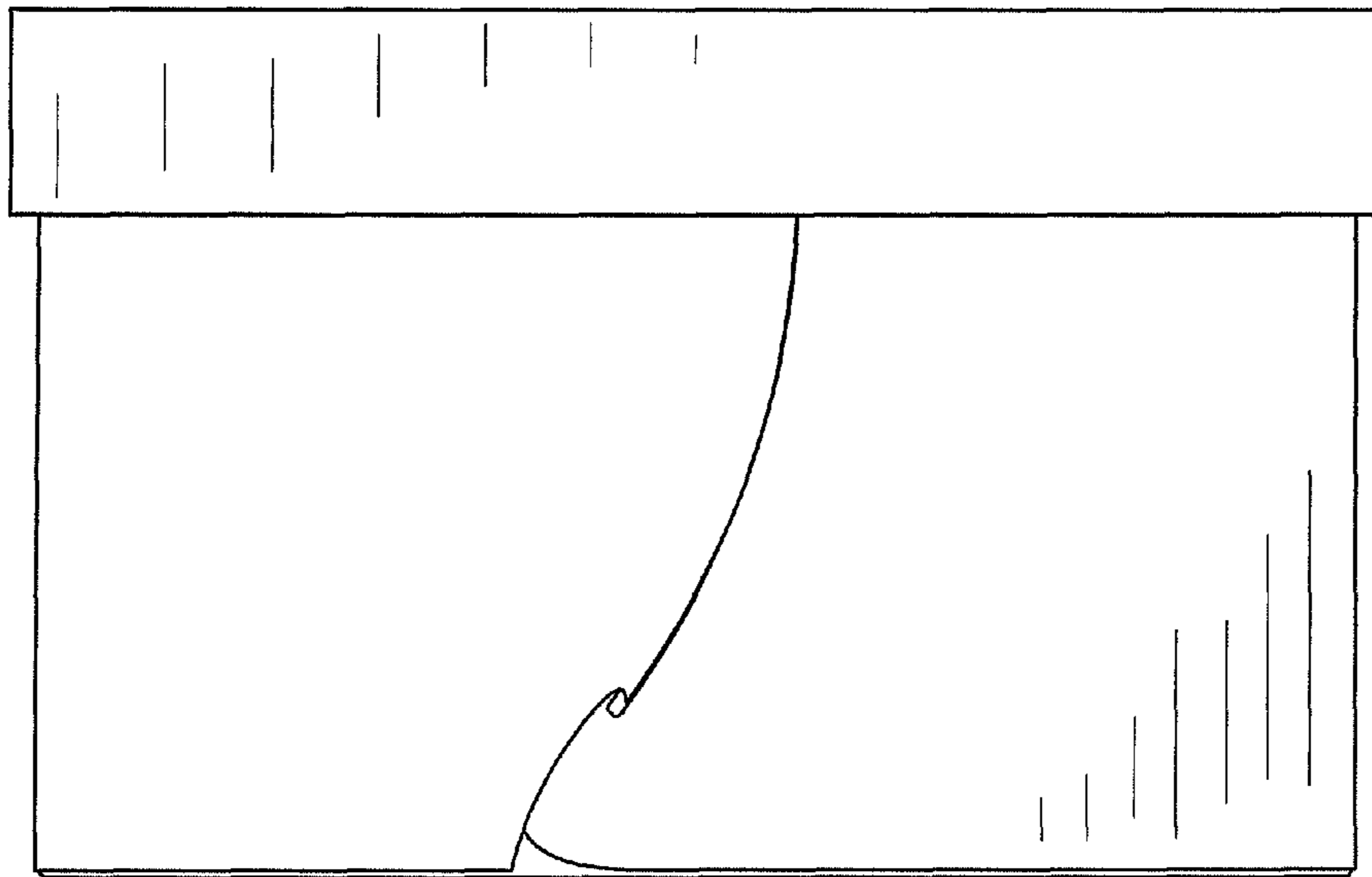


FIG. 20

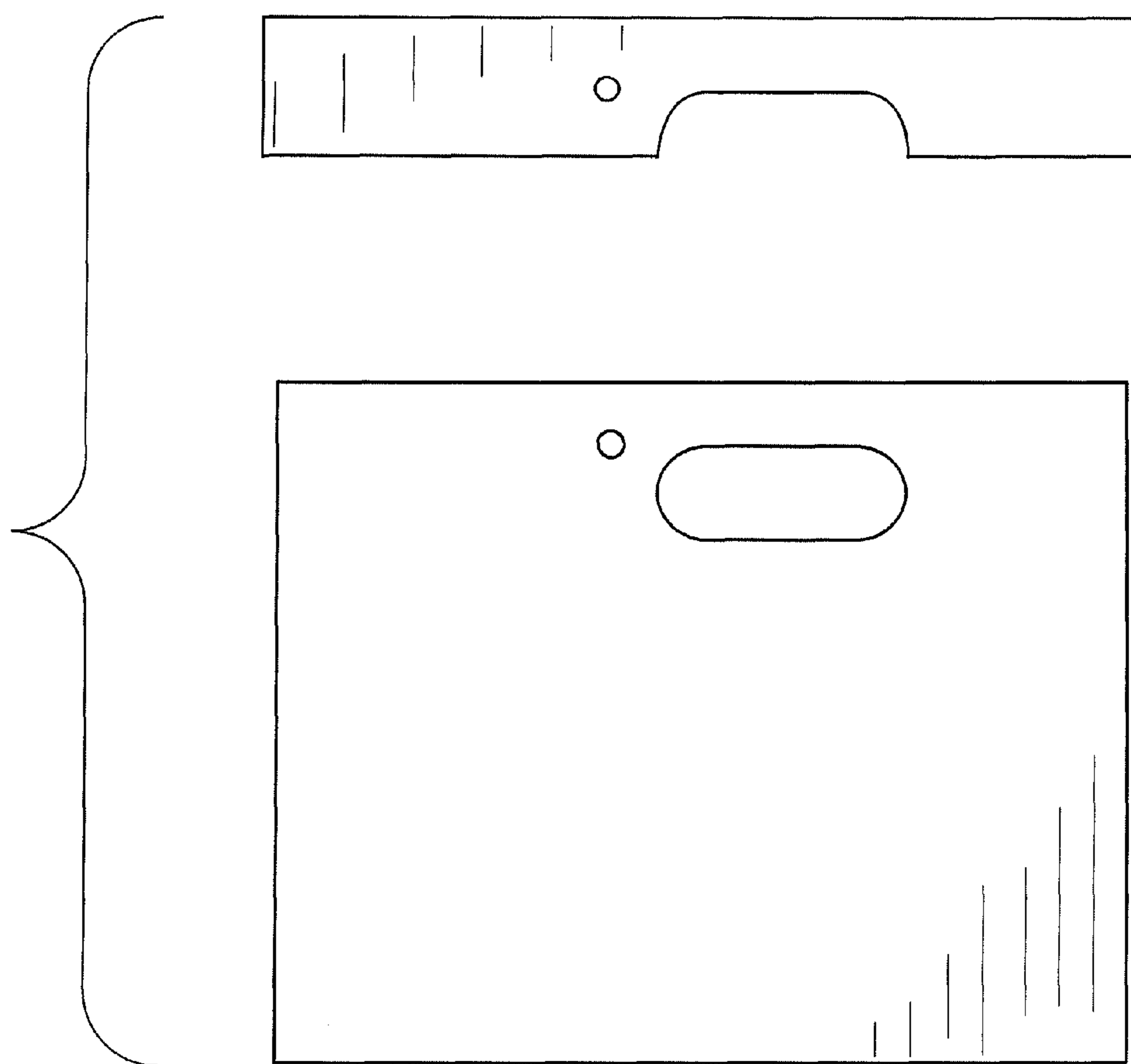


FIG. 21

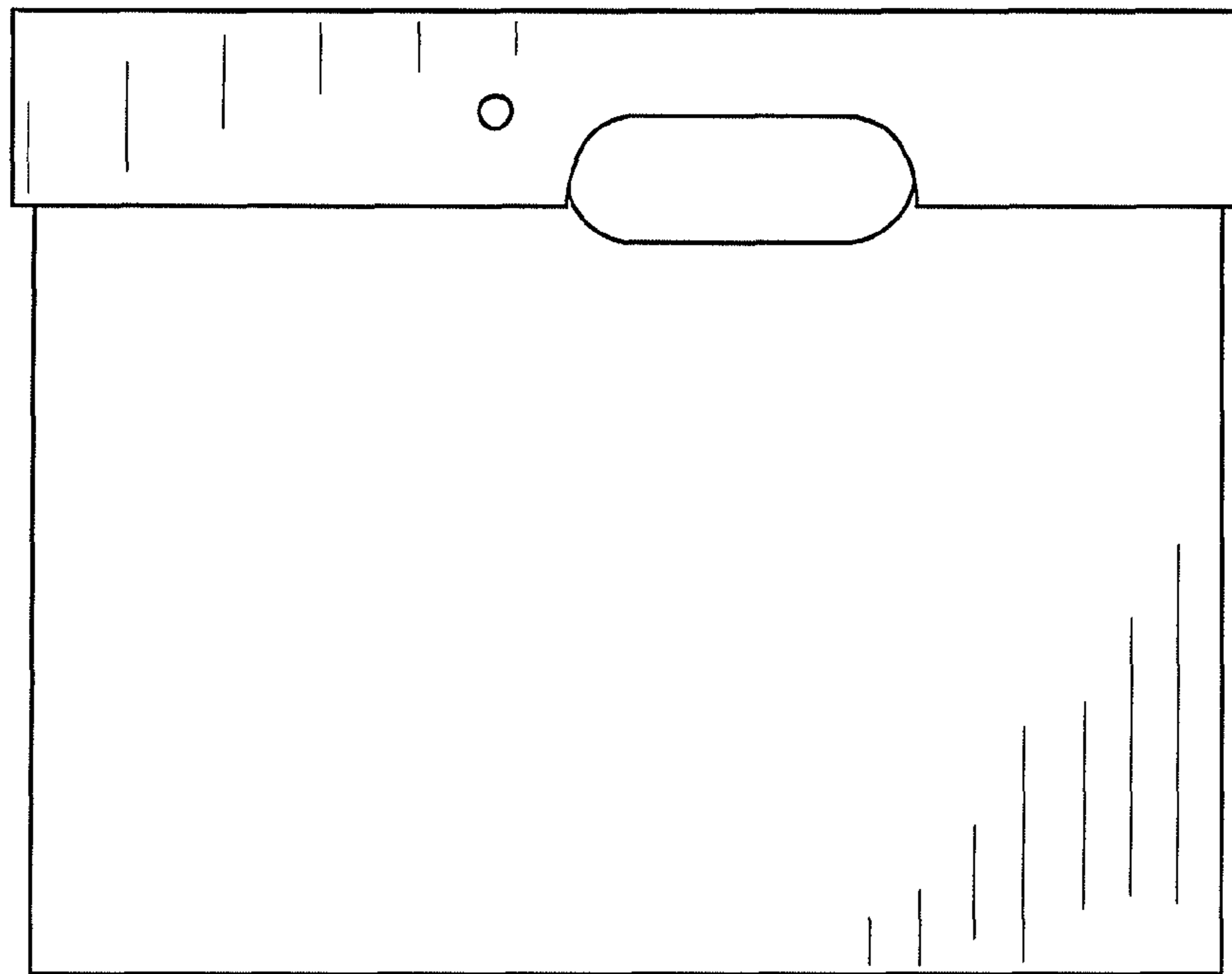


FIG. 22



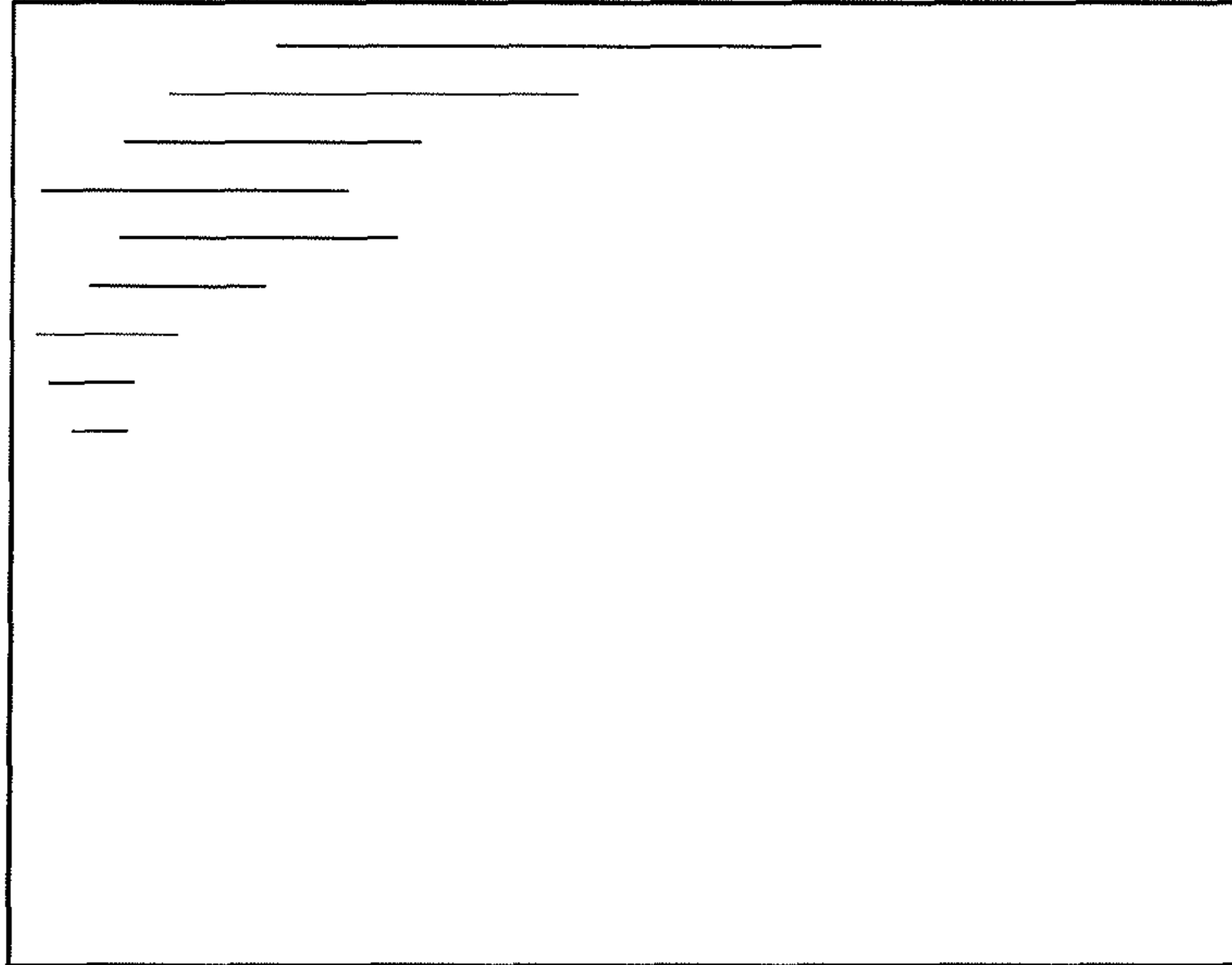


FIG. 23

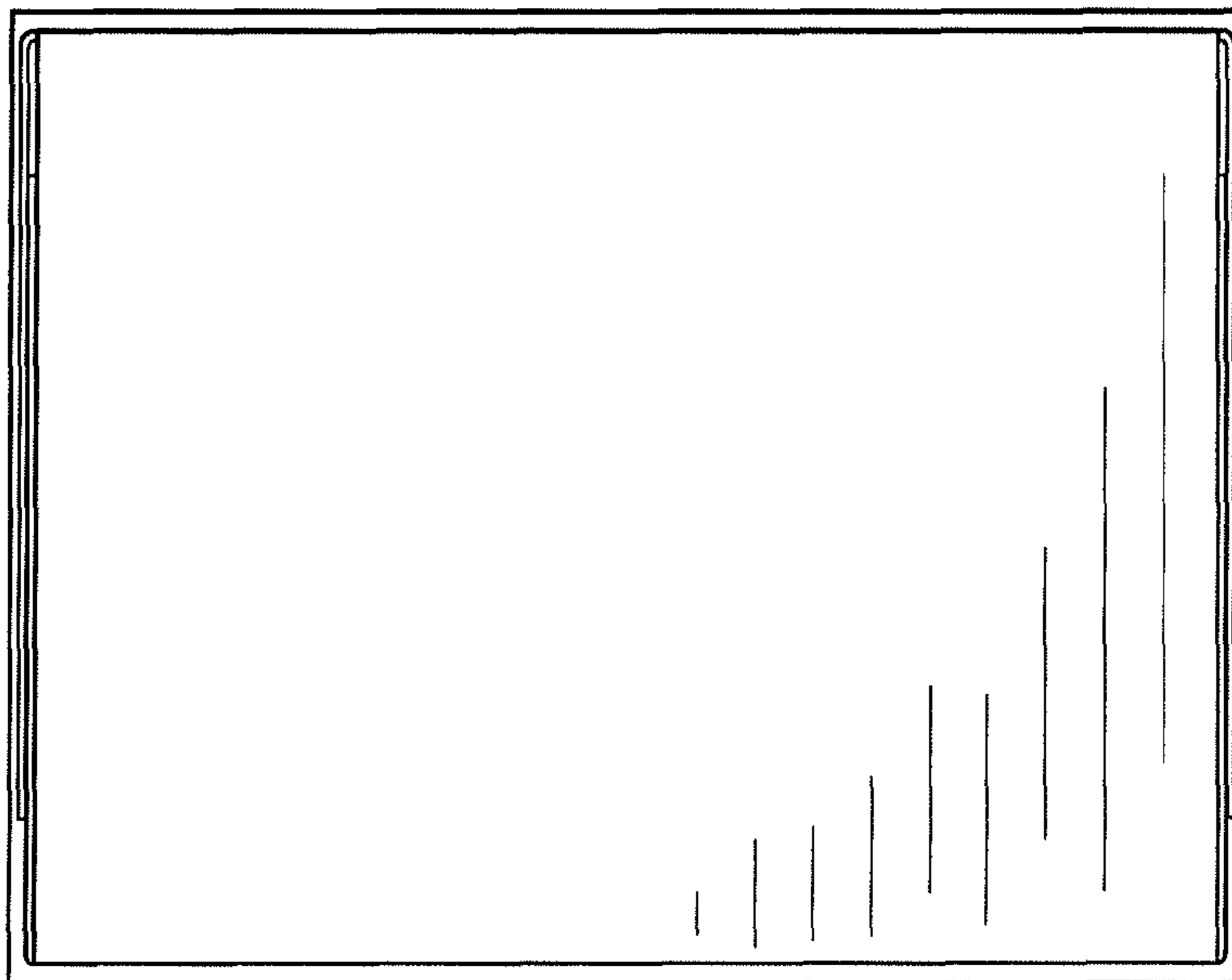


FIG. 24