

US00D720538S

(12) **United States Design Patent**
Goodman et al.

(10) **Patent No.:** **US D720,538 S**
(45) **Date of Patent:** **** Jan. 6, 2015**

- (54) **BASKET**
- (71) Applicant: **Spectrum Diversified Designs, Inc.**,
Streetsboro, OH (US)
- (72) Inventors: **Sheldon H. Goodman**, Solon, OH (US);
Phaysouk Xayoiphonh, Akron, OH
(US); **Jennifer K. Case**, Middleburg
Heights, OH (US)
- (73) Assignee: **Spectrum Diversified Designs, Inc.**,
Streetsboro, OH (US)
- (**) Term: **14 Years**
- (21) Appl. No.: **29/494,731**
- (22) Filed: **Jun. 24, 2014**
- (51) **LOC (10) Cl.** **03-01**
- (52) **U.S. Cl.**
USPC **D3/304**
- (58) **Field of Classification Search**
USPC D3/201, 304, 306-309; D9/429;
220/914; D19/75-77, 86, 92; 206/203,
206/214-215, 822, 307.1; 229/100, 406,
229/915
See application file for complete search history.

(56) **References Cited**

U.S. PATENT DOCUMENTS

D343,712 S *	1/1994	Linder	D6/513
D348,760 S *	7/1994	Linder	D3/306
D399,381 S *	10/1998	Hoernig	D6/566
D450,213 S *	11/2001	Snell	D6/566
D458,640 S *	6/2002	Hofman	D19/90
D464,516 S *	10/2002	Snell	D6/566
D472,735 S *	4/2003	Haugen	D6/462
D475,411 S *	6/2003	Hardy et al.	D19/90
D477,144 S *	7/2003	Remmers	D3/306
D498,632 S *	11/2004	Anderson et al.	D6/566

D507,108 S *	7/2005	Suero, Jr.	D3/304
D508,167 S *	8/2005	Anderson et al.	D6/566
D508,321 S *	8/2005	Anderson et al.	D6/566
D540,091 S *	4/2007	Snell	D6/566
D545,060 S *	6/2007	Cheng	D3/306
D554,419 S *	11/2007	Thompson et al.	D6/566
D579,660 S *	11/2008	Snider	D3/304
D587,038 S *	2/2009	Goodman et al.	D6/462
D588,815 S *	3/2009	Ghiorghie	D3/304
D608,599 S *	1/2010	Goodman et al.	D7/601
D615,328 S *	5/2010	Snider	D6/510
D650,175 S *	12/2011	Lee	D3/306
D650,209 S *	12/2011	Snider	D6/513
D651,405 S *	1/2012	Lee	D3/304
8,317,019 B2 *	11/2012	Cruce et al.	206/315.9
D677,055 S *	3/2013	Nowicky et al.	D3/304
D683,963 S *	6/2013	Tsai	D3/304
D692,666 S *	11/2013	Goodman et al.	D3/304
D693,577 S *	11/2013	Goodman et al.	D3/306
D700,779 S *	3/2014	Noll et al.	D3/304
D705,565 S *	5/2014	Schraufnagel et al.	D6/513

* cited by examiner

Primary Examiner — Kelley Donnelly

(74) *Attorney, Agent, or Firm* — Benesch Friedlander
Coplan & Aronoff LLP

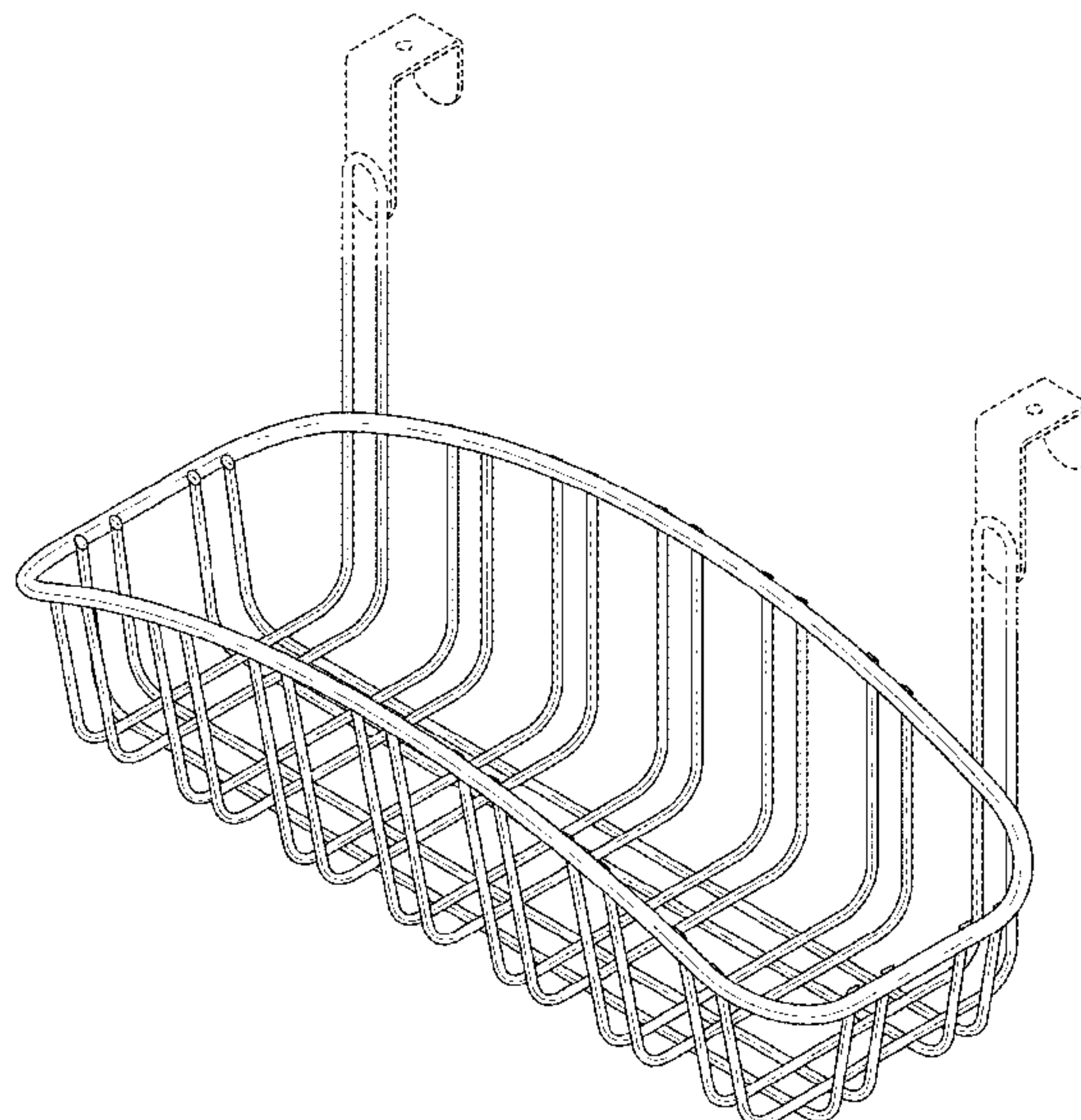
(57) **CLAIM**

What is claimed is the ornamental design for a basket, as shown and described.

DESCRIPTION

FIG. 1 is a perspective view of a basket showing a new design; FIG. 2 is a top view of the basket of FIG. 1; FIG. 3 is a front view of the basket of FIG. 1; FIG. 4 is a side view of the basket of FIG. 1; FIG. 5 is a bottom view of the basket of FIG. 1; and, FIG. 6 is a rear view of the basket of FIG. 1. The components of the display shown in broken lines illustrate portions of the basket that form no part of the claimed design.

1 Claim, 2 Drawing Sheets



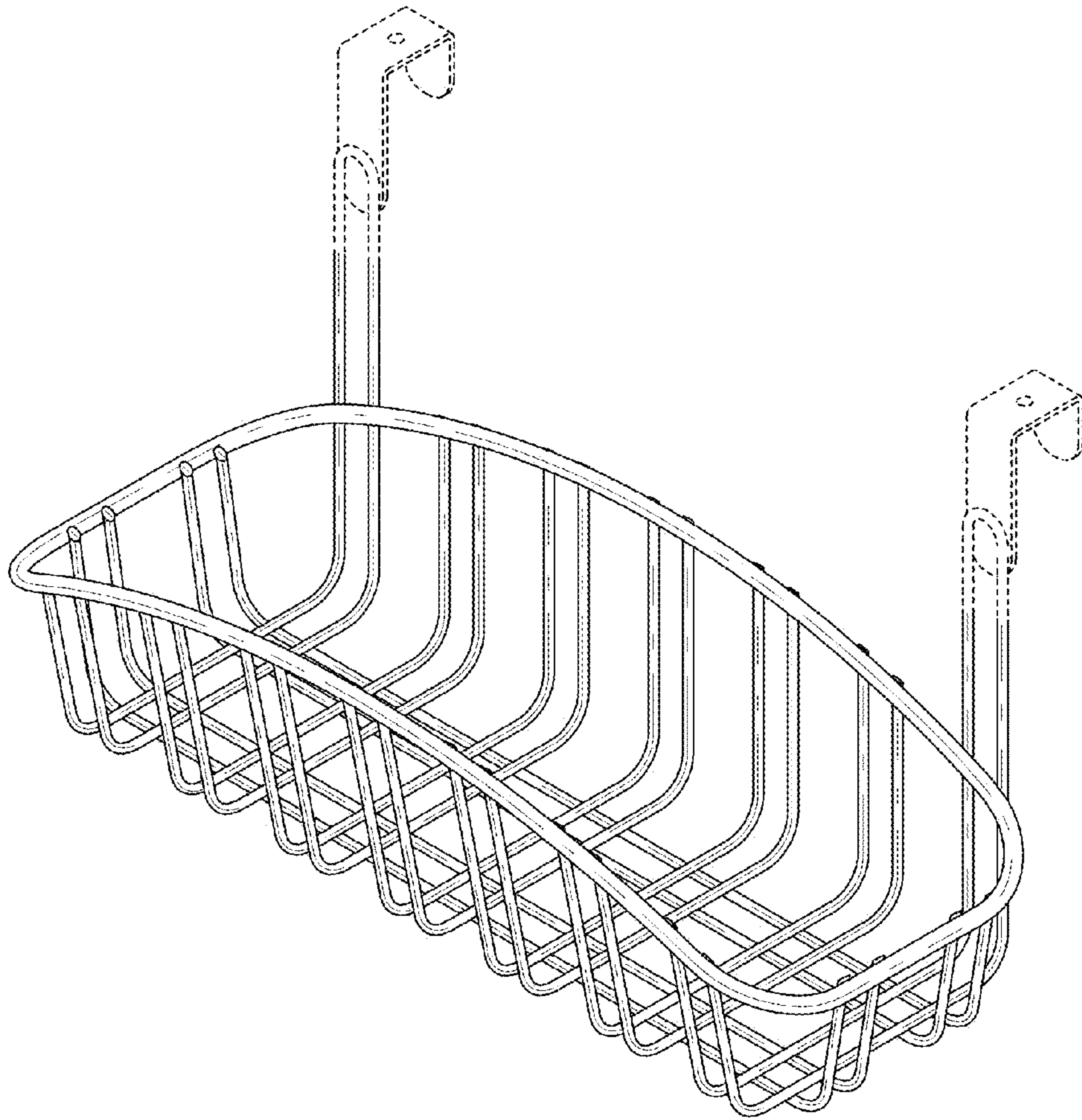


FIG. 1

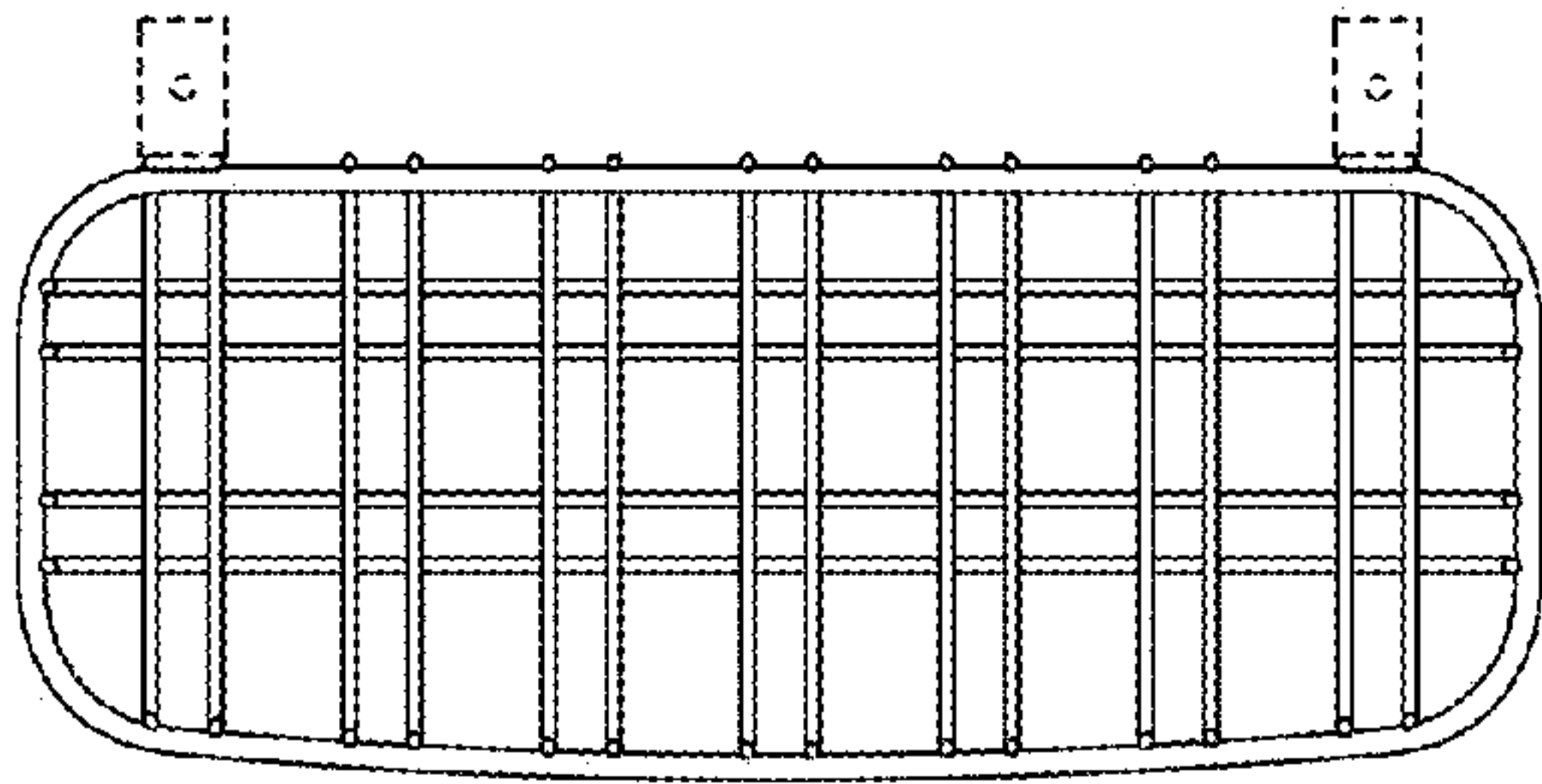


FIG. 2

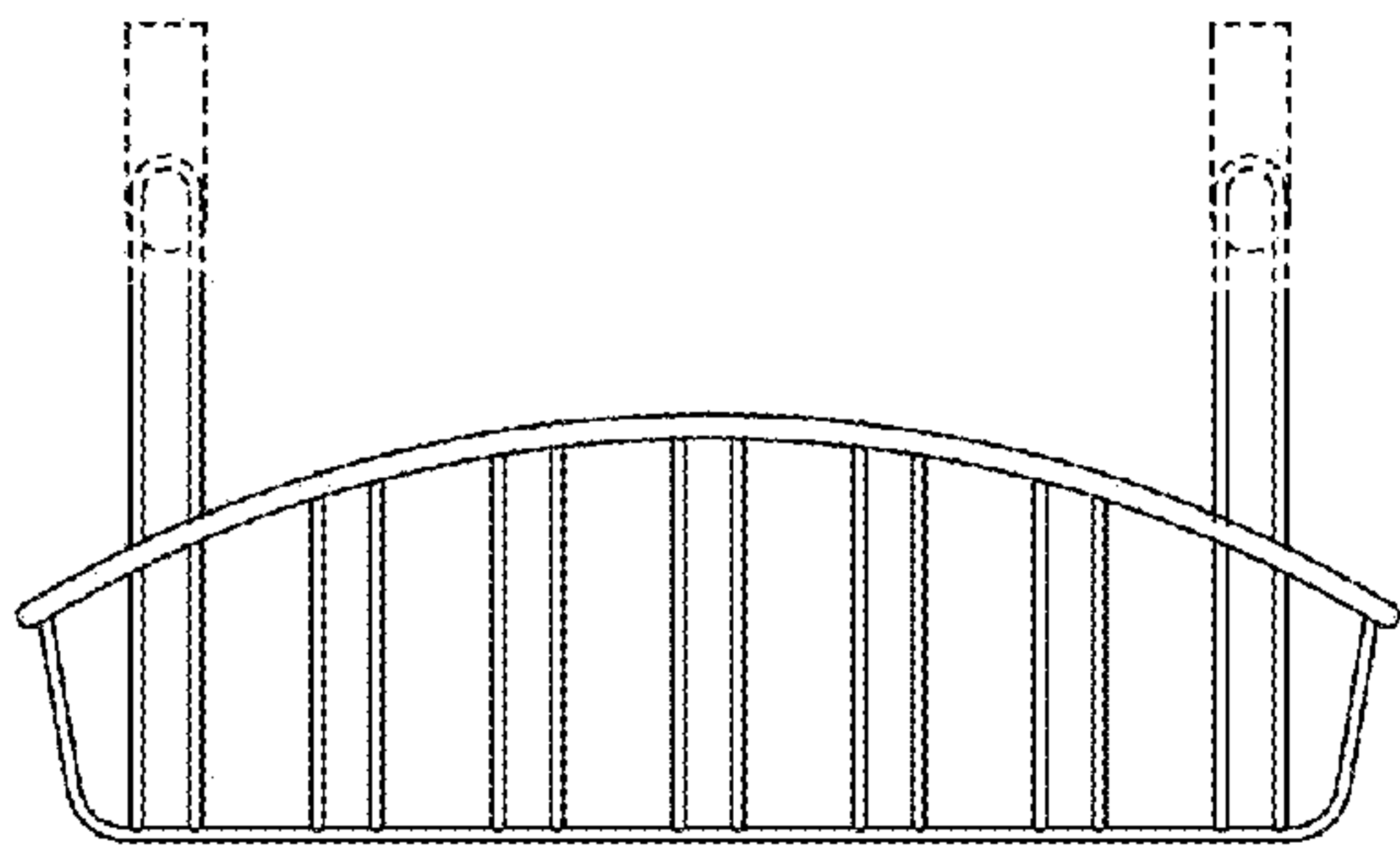


FIG. 3

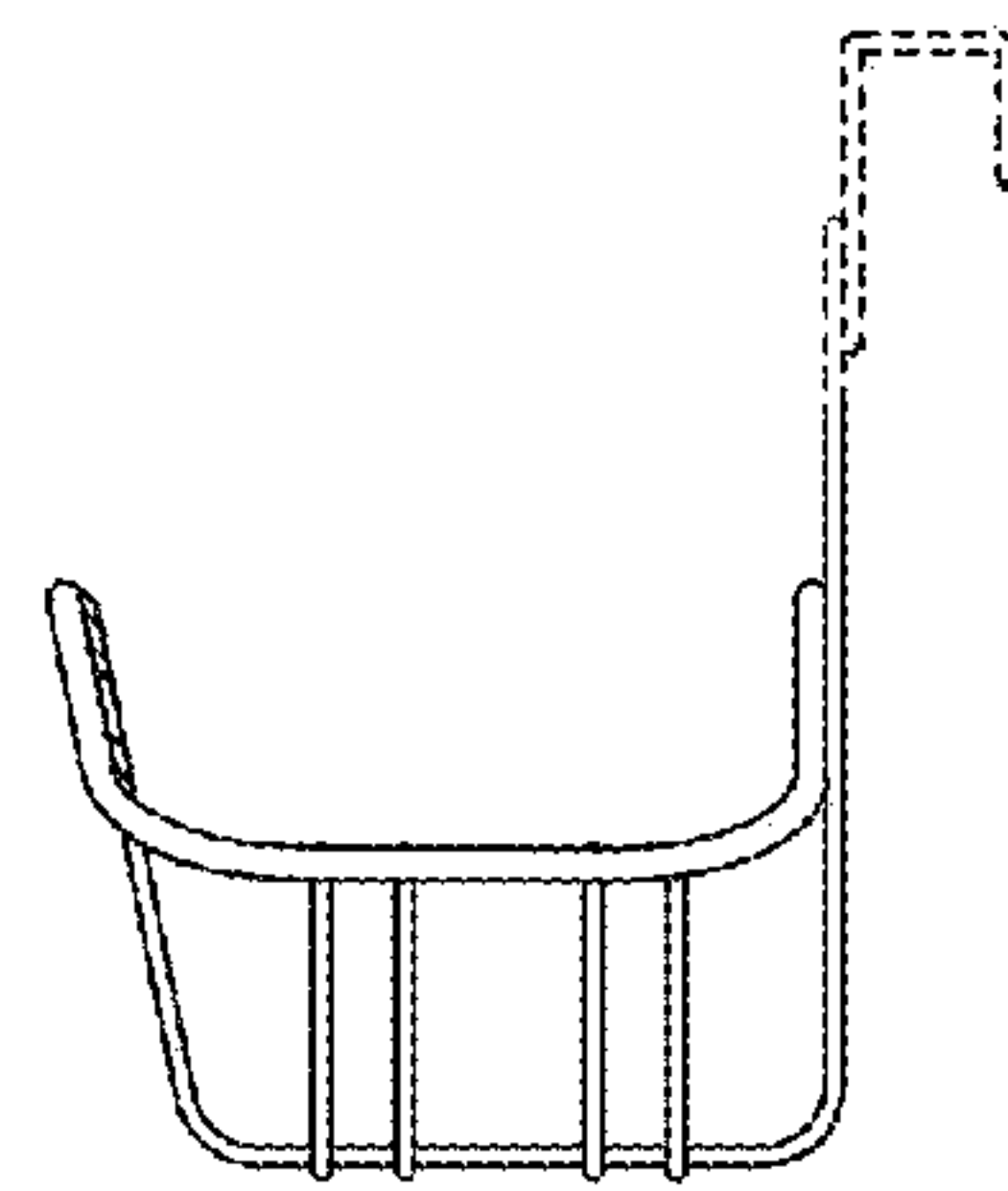


FIG. 4

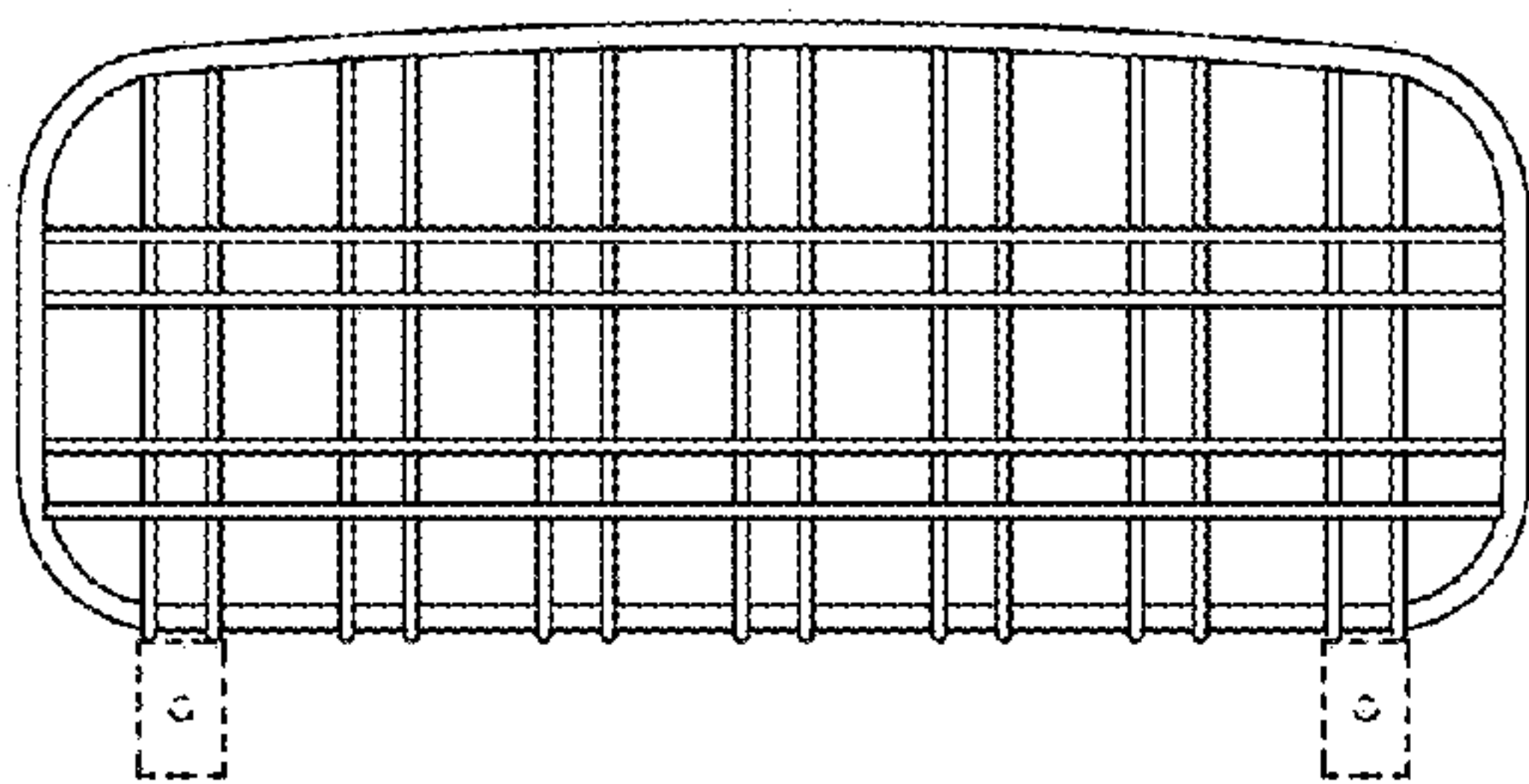


FIG. 5

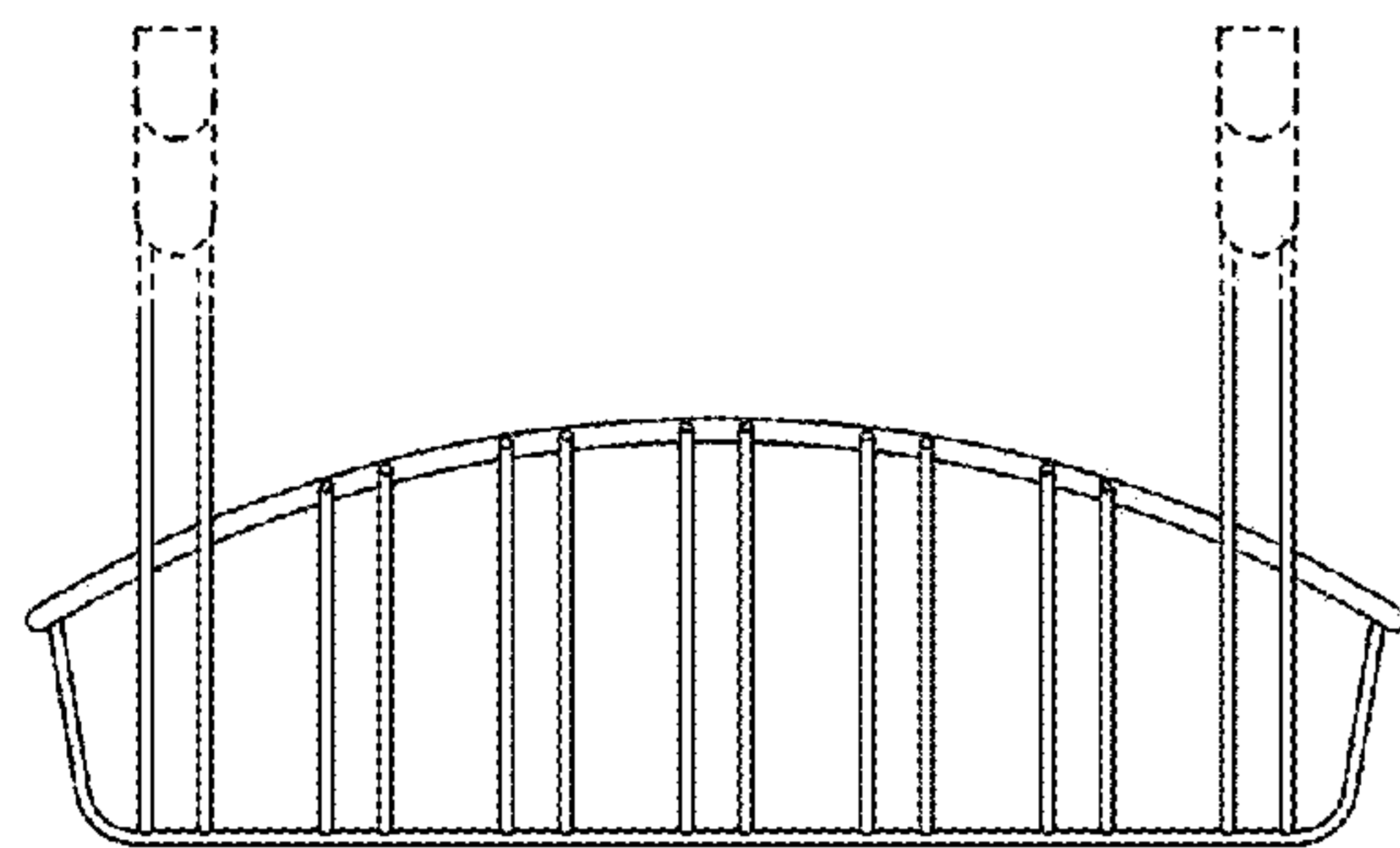


FIG. 6