



US00D720534S

(12) **United States Design Patent**
Chehebar

(10) **Patent No.:** **US D720,534 S**
(45) **Date of Patent:** **** Jan. 6, 2015**

(54) **LUGGAGE BAG**

(71) Applicant: **Alfred Chehebar**, New York, NY (US)

(72) Inventor: **Alfred Chehebar**, New York, NY (US)

(**) Term: **14 Years**

(21) Appl. No.: **29/438,765**

(22) Filed: **Dec. 3, 2012**

(51) **LOC (10) Cl.** **03-01**

(52) **U.S. Cl.**
USPC **D3/279**

(58) **Field of Classification Search**
USPC D3/272, 276, 278, 279, 273, 274, 281,
D3/289, 321; 190/100-127, 903, 37, 39,
190/18 A
See application file for complete search history.

(56) **References Cited**

U.S. PATENT DOCUMENTS

4,506,769	A	3/1985	Franco et al.	
4,538,709	A	9/1985	Williams et al.	
4,756,394	A	7/1988	Cohen	
6,202,910	B1	3/2001	Swedish	
6,230,952	B1	5/2001	Jupiter	
6,305,590	B1	10/2001	Hayes	
6,408,872	B1	6/2002	Skeens et al.	
D463,663	S *	10/2002	Magana	D3/279
6,729,473	B2	5/2004	Anderson	
D492,110	S *	6/2004	Van Himbeeck et al.	D3/279
D495,879	S *	9/2004	Bernbaum et al.	D3/279
6,910,560	B2	6/2005	Dulin	
D507,111	S	7/2005	Renz et al.	
D554,862	S	11/2007	Hsieh	
7,334,669	B2	2/2008	Barker et al.	
7,398,868	B2 *	7/2008	Morszeck	190/110
7,452,132	B2	11/2008	Tang	
7,513,481	B2	4/2009	Su	

7,578,320	B2	8/2009	Borchardt	
D622,060	S *	8/2010	Scicluna et al.	D3/279
D639,555	S *	6/2011	Moon	D3/279
D640,054	S *	6/2011	Custer	D3/274
D640,868	S	7/2011	Jongchul	
8,005,189	B2	8/2011	Ripp et al.	
D671,316	S *	11/2012	Kritzler	D3/279
D683,539	S *	6/2013	Jobert	D3/279
2002/0088679	A1	7/2002	Abraham	
2004/0173427	A1	9/2004	Chernoff	
2005/0098402	A1	5/2005	Cohen	
2006/0272980	A1	12/2006	Montgomery	
2009/0080809	A1	3/2009	Pham et al.	

* cited by examiner

Primary Examiner — Jennifer Rivard

(74) *Attorney, Agent, or Firm* — JP Webb; Jason P. Webb; Danny Y. H. Cheng

(57) **CLAIM**

The ornamental design for a luggage bag, as shown and described.

DESCRIPTION

FIG. 1 is a front perspective view of a luggage bag, in an open mode with the handle in a lowered mode, showing my new design;

FIG. 2 is a front perspective view of a luggage bag in a closed mode with the handle in a raised mode, showing my new design;

FIG. 3 is a front elevational view of a luggage bag in a closed mode with the handle in a lowered mode, showing my new design;

FIG. 4 is a back elevational view thereof;

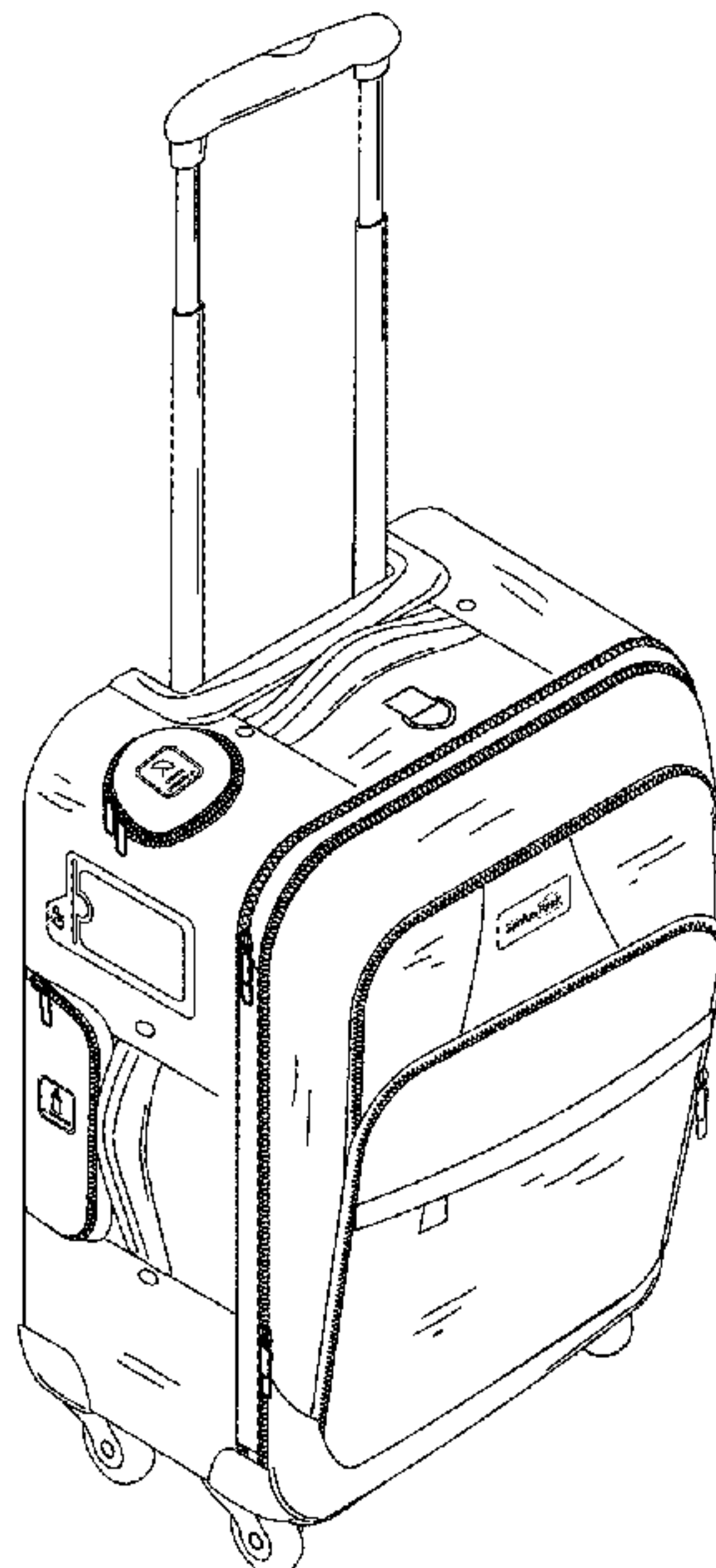
FIG. 5 is a left side elevational view thereof;

FIG. 6 is a right side elevational view thereof;

FIG. 7 is a top plan view thereof; and,

FIG. 8 is a bottom plan view thereof.

1 Claim, 8 Drawing Sheets



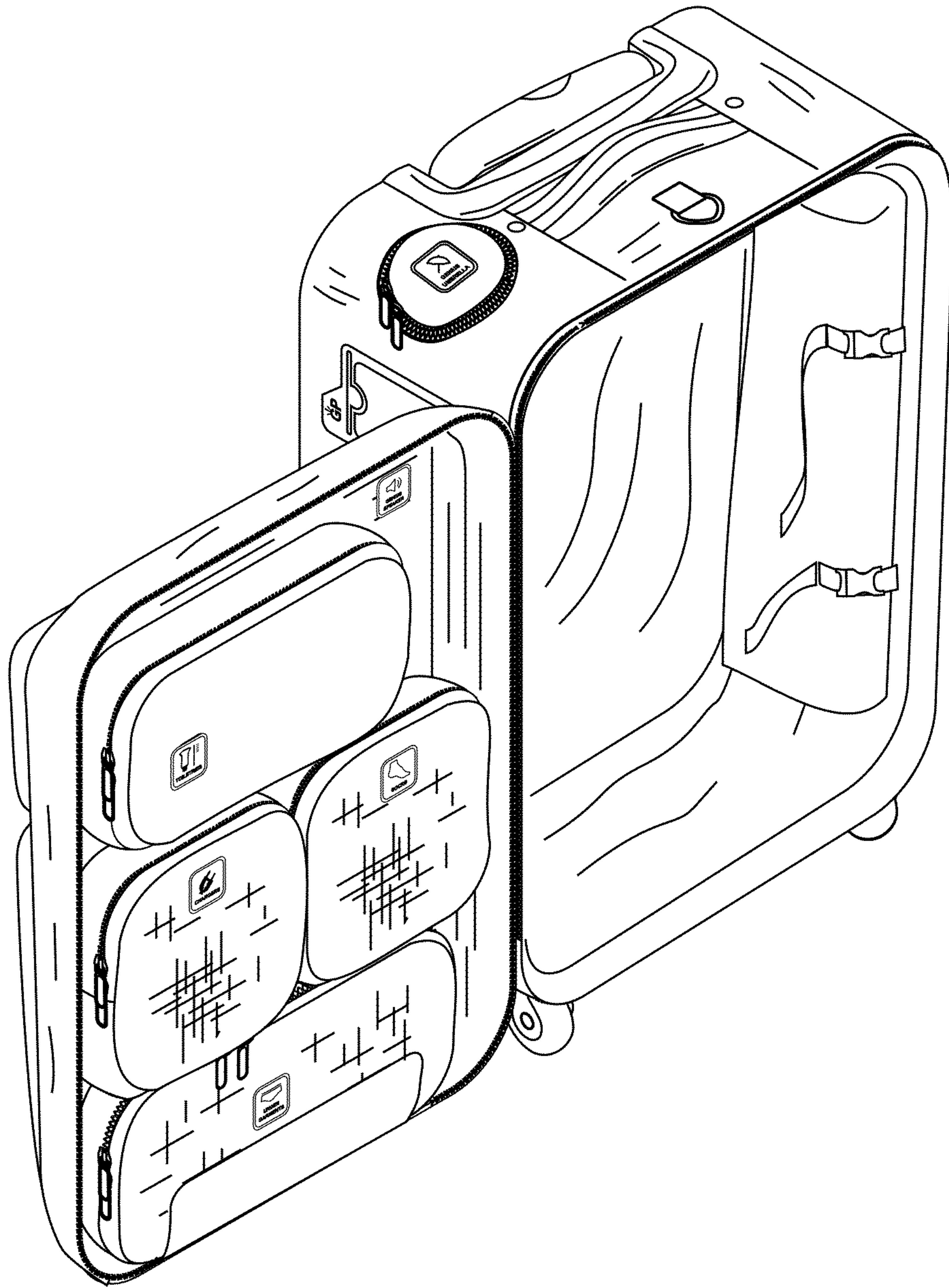


FIG. 1



FIG. 2

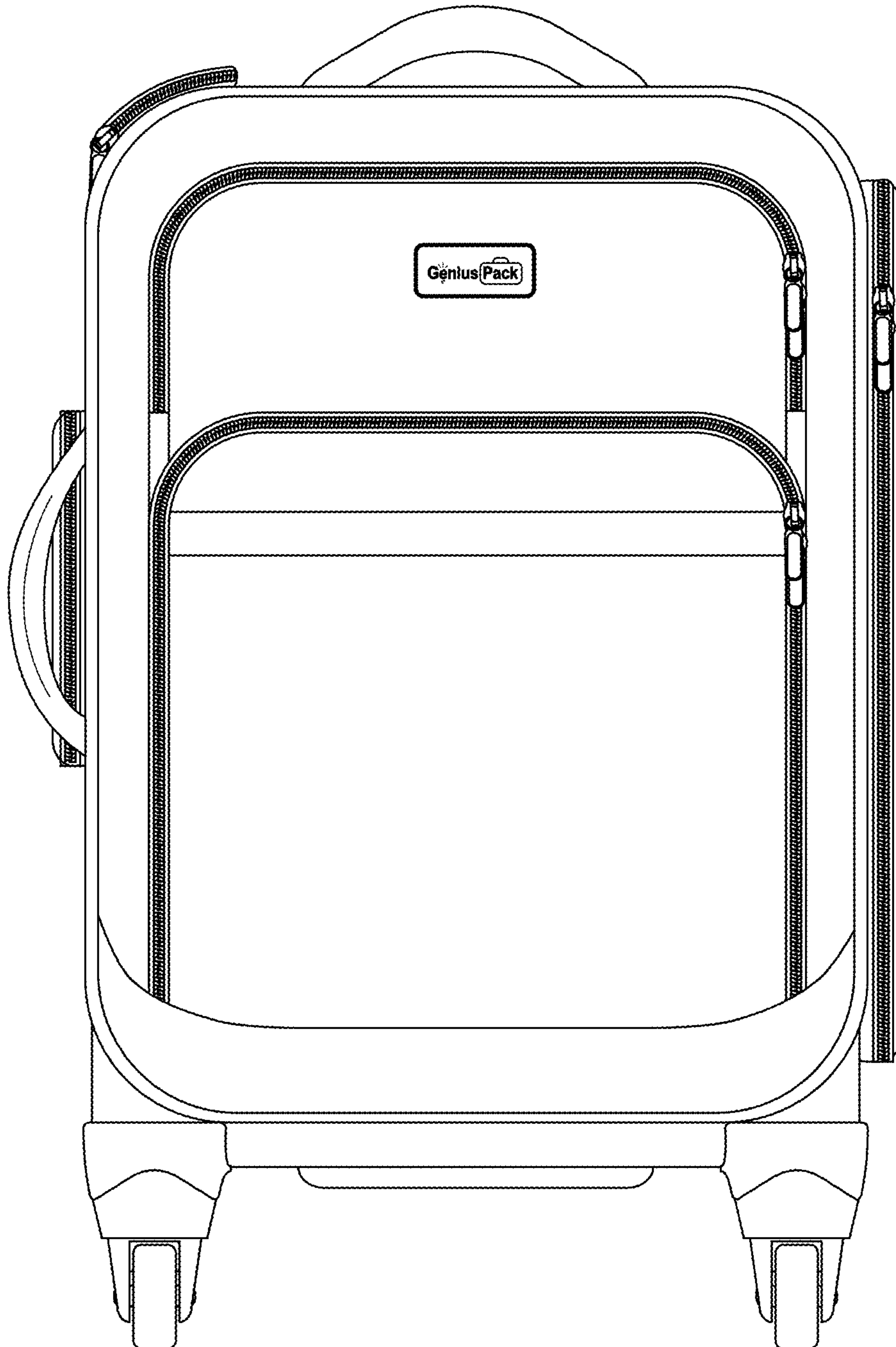


FIG. 3

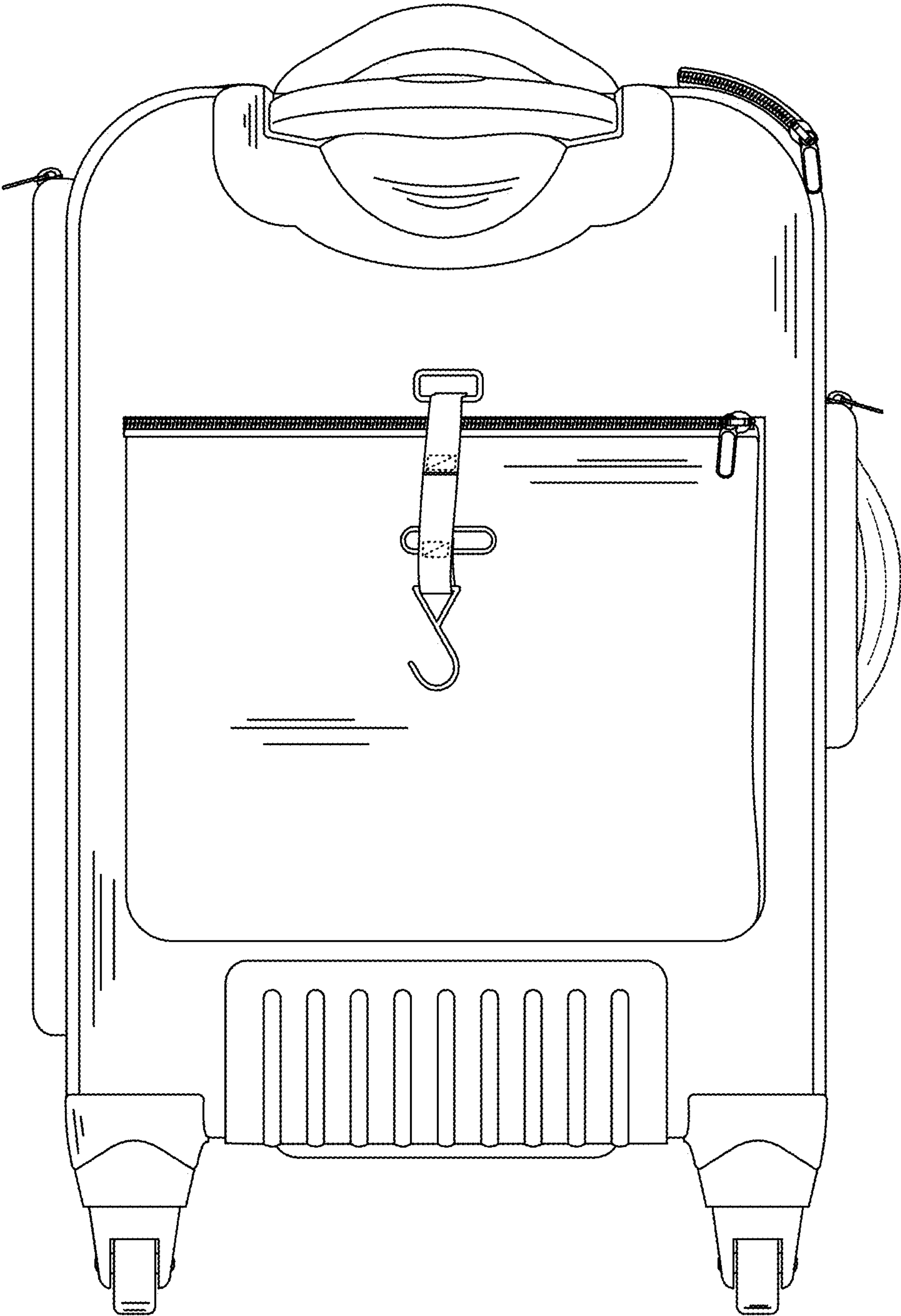


FIG. 4

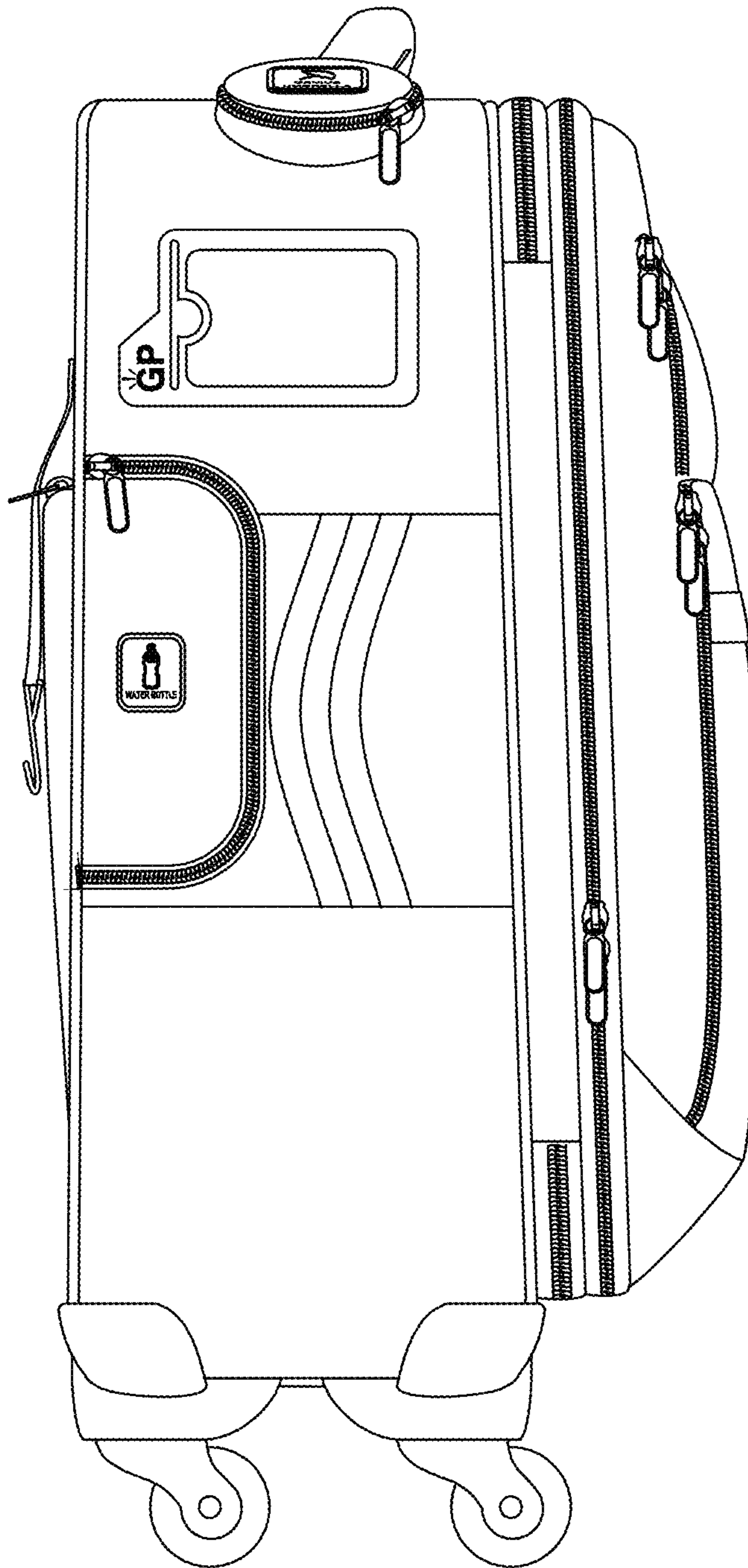


FIG. 5

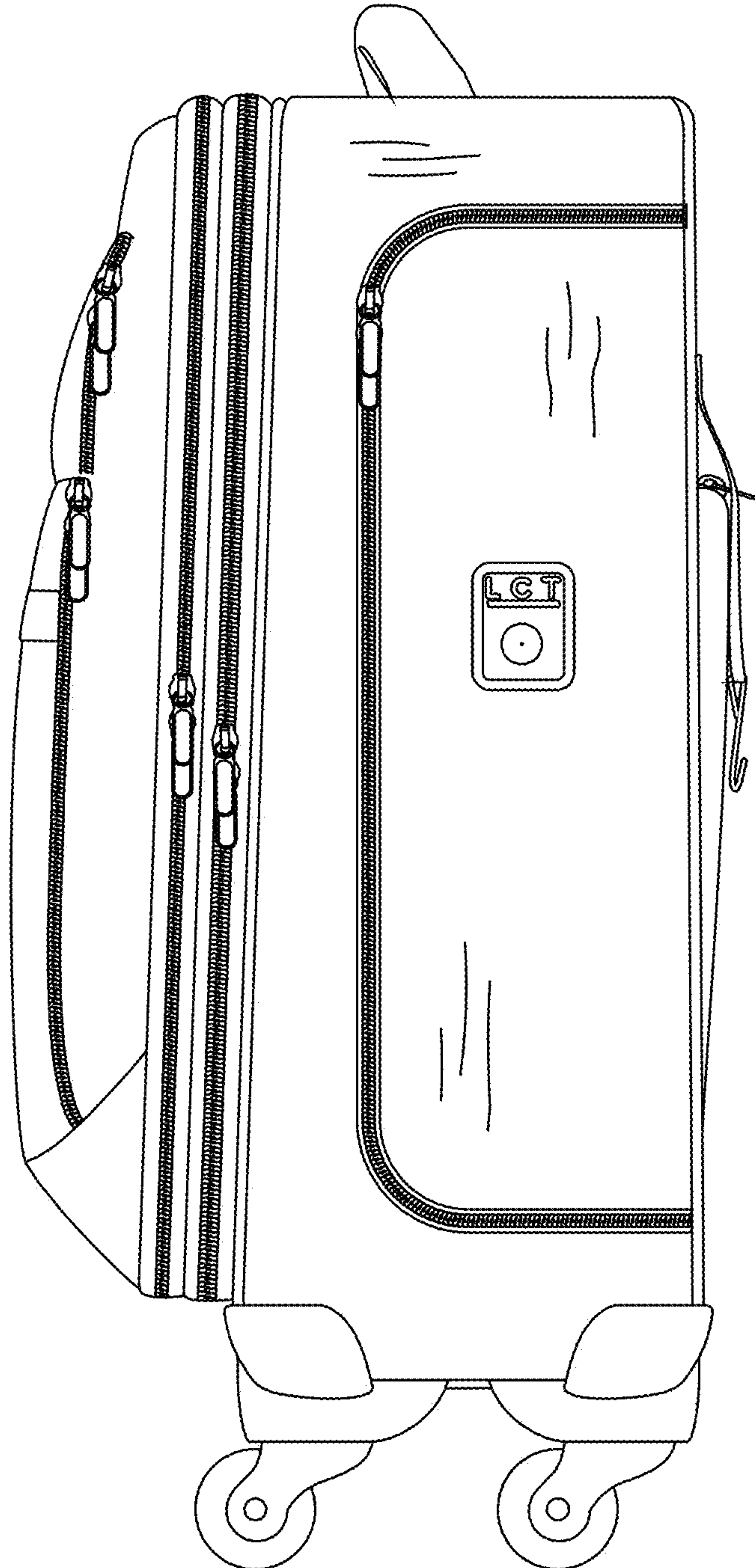


FIG. 6

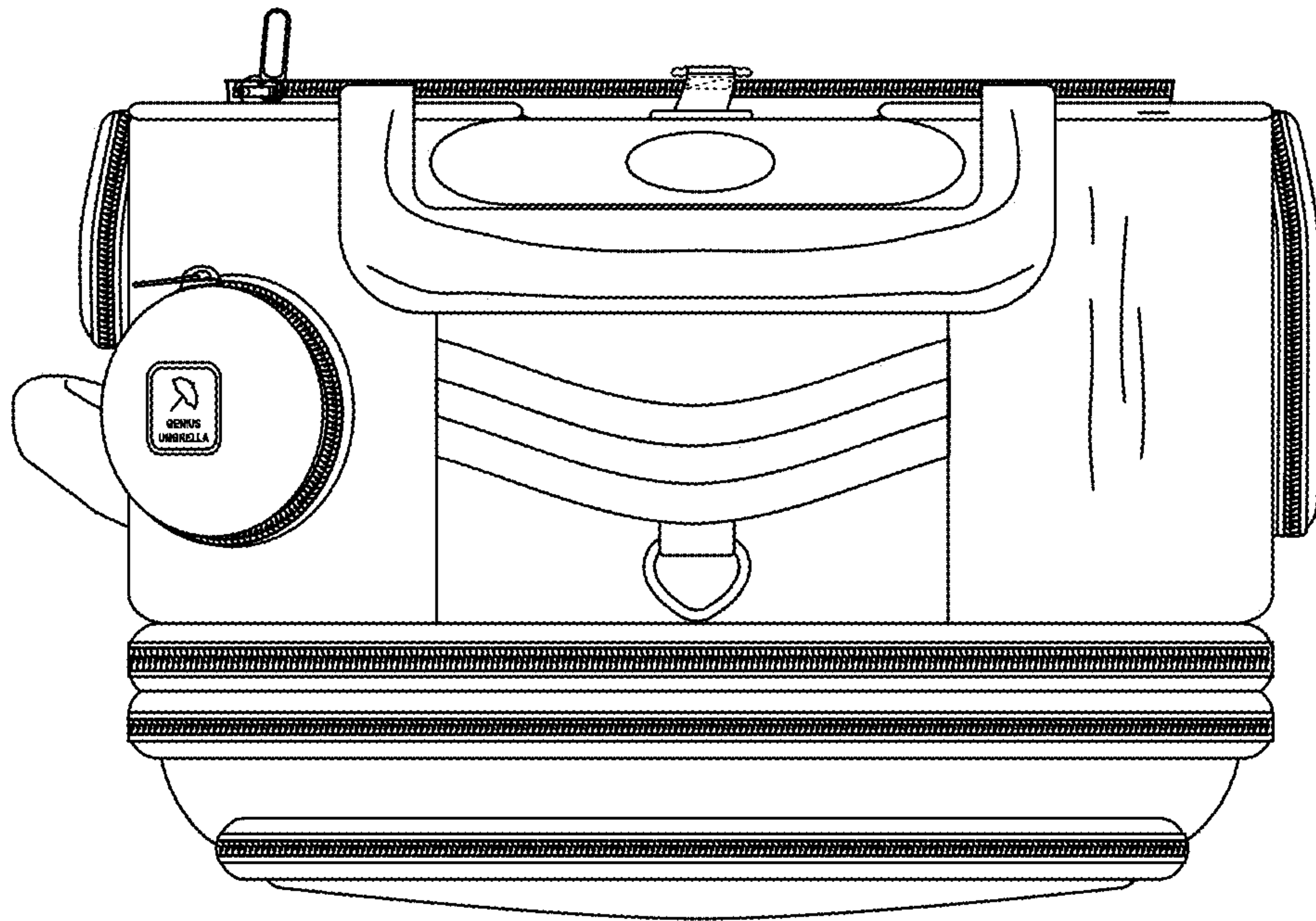


FIG. 7

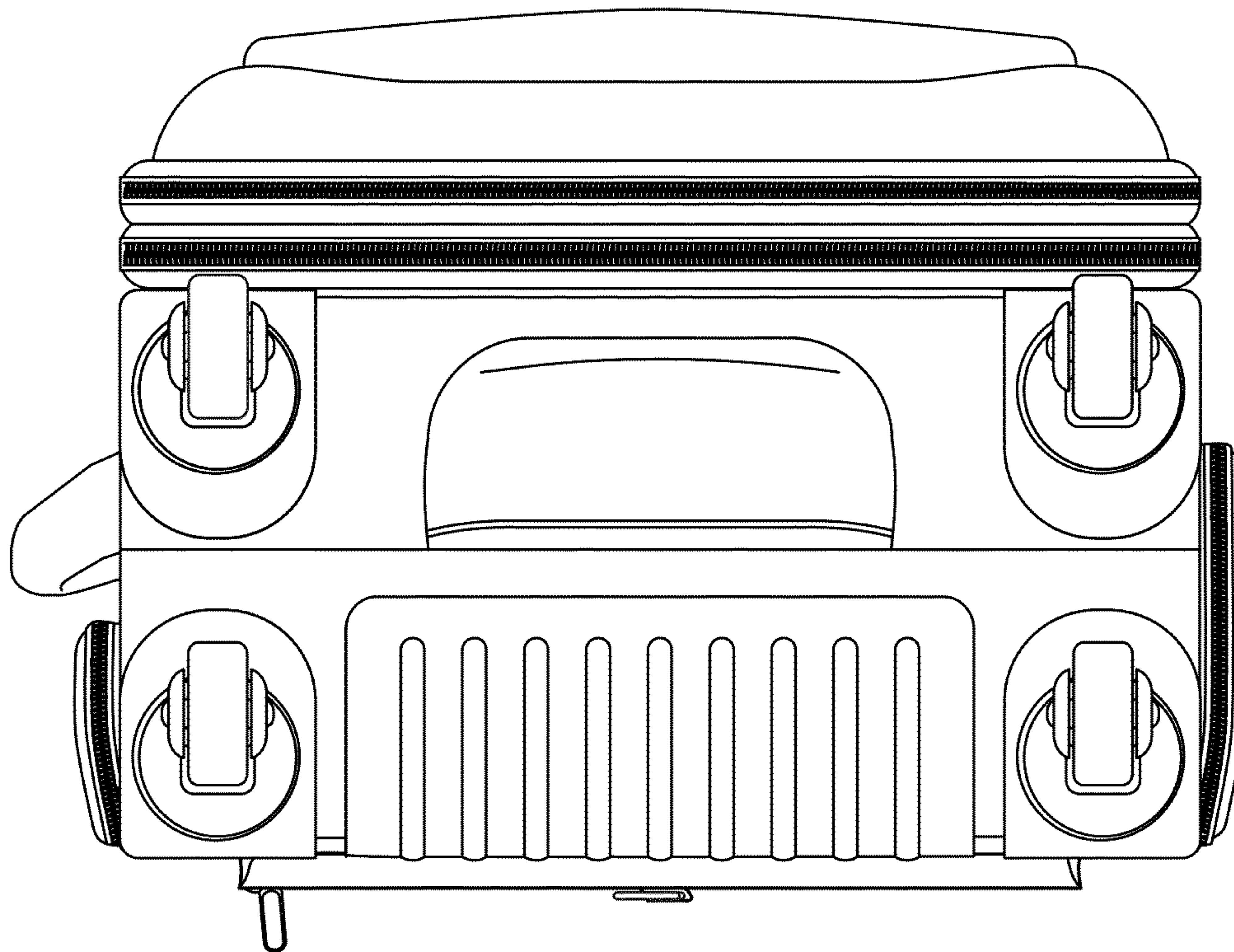


FIG. 8