



US00D720532S

(12) **United States Design Patent**
Priebe et al.

(10) **Patent No.:** **US D720,532 S**
(45) **Date of Patent:** **** Jan. 6, 2015**

(54) **CONTACT LENS CASE**
(71) Applicant: **Apothecary Products, Inc.**, Burnsville, MN (US)
(72) Inventors: **Robert N. Priebe**, Bloomington, MN (US); **Terrance O. Noble**, Burnsville, MN (US)
(73) Assignee: **Apothecary Products, LLC**, Burnsville, MN (US)

(**) Term: **14 Years**

(21) Appl. No.: **29/447,502**

(22) Filed: **Mar. 4, 2013**

(51) **LOC (10) Cl.** **03-01**

(52) **U.S. Cl.**
USPC **D3/264**

(58) **Field of Classification Search**
USPC D3/219, 252, 263, 264, 265; 206/5, 5.1, 206/6

See application file for complete search history.

(56) **References Cited**

U.S. PATENT DOCUMENTS

2,394,135	A	2/1946	Baar	
3,005,282	A	10/1961	Christiansen	
D208,166	S *	7/1967	Hueber	D3/264
D239,413	S *	3/1976	Hoogestegar	D3/264
4,011,829	A	3/1977	Wachsmann et al.	
4,392,569	A *	7/1983	Shoup	206/5.1
D285,744	S *	9/1986	Vinot	D3/264
D289,923	S *	5/1987	Hoogestegar	D24/218
D358,477	S *	5/1995	De Meo	D3/264
5,433,314	A *	7/1995	Lin	206/5.1
5,443,172	A	8/1995	Gabriele	
5,452,792	A	9/1995	Zautke et al.	
6,382,409	B1 *	5/2002	Scala	206/5.1
6,679,373	B1	1/2004	Clevenger	

D498,590	S *	11/2004	Borovsky	D3/264
6,868,963	B2 *	3/2005	Borovsky	206/5.1
D512,565	S *	12/2005	Sasso	D3/264
D551,448	S *	9/2007	Stull	D3/264
D570,113	S *	6/2008	Maraia et al.	D3/264
D575,955	S *	9/2008	Maraia et al.	D3/264
7,628,269	B2 *	12/2009	O'Hara et al.	206/5.1
7,661,383	B2	2/2010	Song	
7,832,551	B2 *	11/2010	Newman et al.	206/5.1
8,550,238	B2 *	10/2013	Josephson et al.	206/5.1
D704,440	S *	5/2014	Kroupa	D3/264
2002/0069896	A1 *	6/2002	Pankow	134/6
2004/0140229	A1 *	7/2004	Borovsky	206/5.1
2005/0087455	A1 *	4/2005	Mahieu et al.	206/216

(Continued)

OTHER PUBLICATIONS

“Picture of Two-Tone Silicone Skin Case for Nintendo Wii Remote and Nunchuck—blue, green, orange, pink,” dated prior to Feb. 29, 2012.

(Continued)

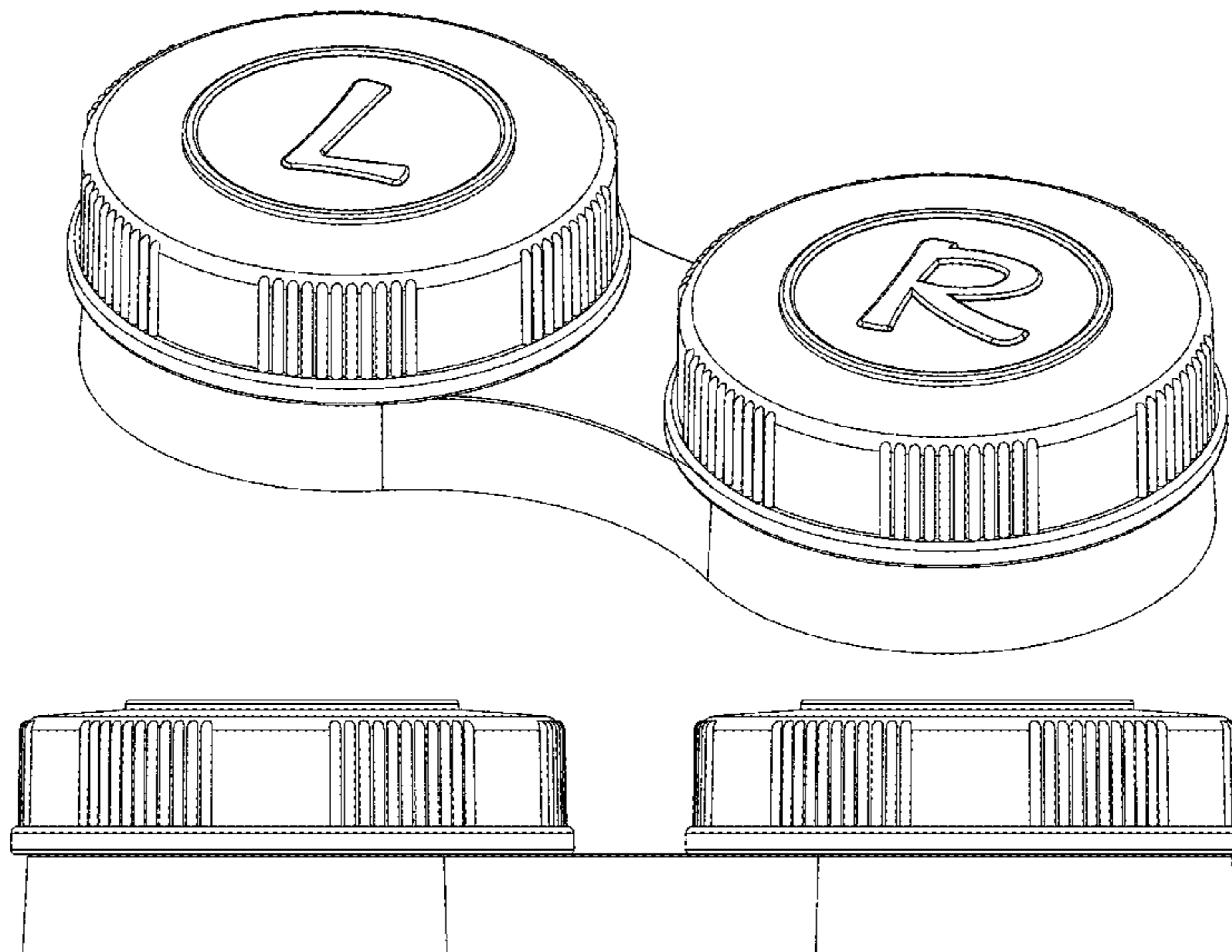
Primary Examiner — T. Chase Nelson
(74) *Attorney, Agent, or Firm* — Merchant & Gould P.C.

(57) **CLAIM**
The ornamental design for contact lens case, as shown and described.

DESCRIPTION

FIG. 1 is a perspective view of a contact lens case, according to our design;
FIG. 2 is a front view thereof;
FIG. 3 is a rear view thereof;
FIG. 4 is a right view thereof;
FIG. 5 is a left view thereof;
FIG. 6 is a top view thereof; and,
FIG. 7 is a bottom view thereof, the portions shown in broken lines forming no part of the design sought to be patented.

1 Claim, 5 Drawing Sheets



(56)

References Cited

U.S. PATENT DOCUMENTS

2005/0109638 A1* 5/2005 Eastman 206/5.1
2006/0011496 A1* 1/2006 Mangabeira Nunez 206/5.1
2006/0102496 A1 5/2006 Christy et al.
2007/0261970 A1 11/2007 Stull
2008/0179200 A1* 7/2008 O'Hara et al. 206/5.1
2010/0122917 A1* 5/2010 Azera 206/5.1

2012/0000798 A1 1/2012 Thompson et al.
2012/0193245 A1* 8/2012 Wright 206/5.1
2013/0220840 A1* 8/2013 Priebe et al. 206/5.1
2013/0220851 A1* 8/2013 Priebe et al. 206/234

OTHER PUBLICATIONS

"Pictures from ikeeps icases," dated prior to Feb. 29, 2012.

* cited by examiner

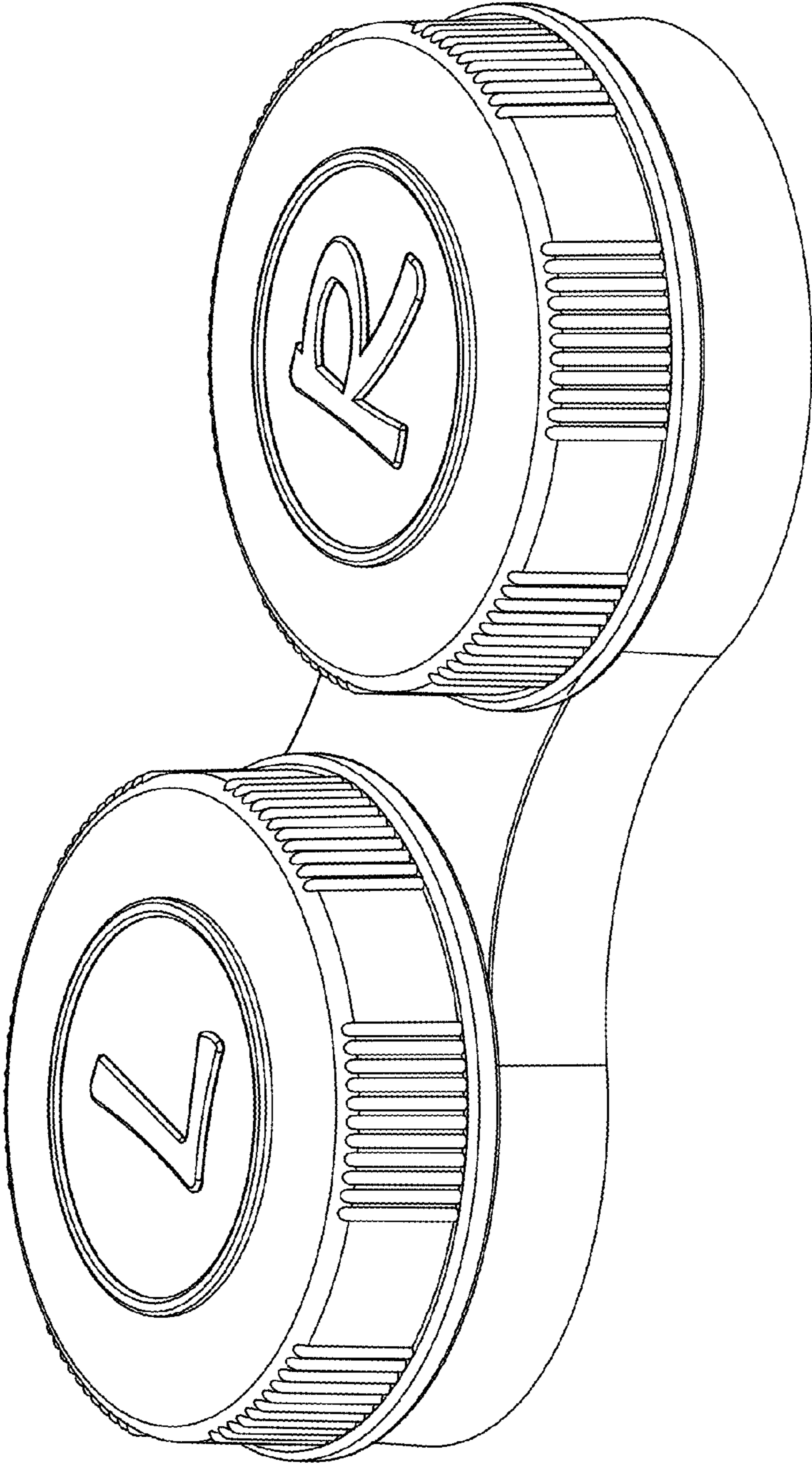


FIG. 1

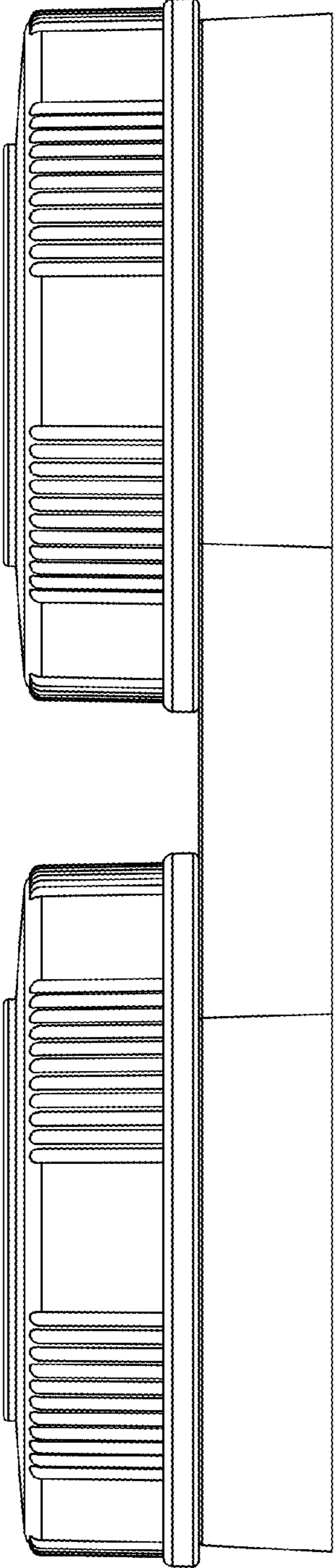


FIG. 2

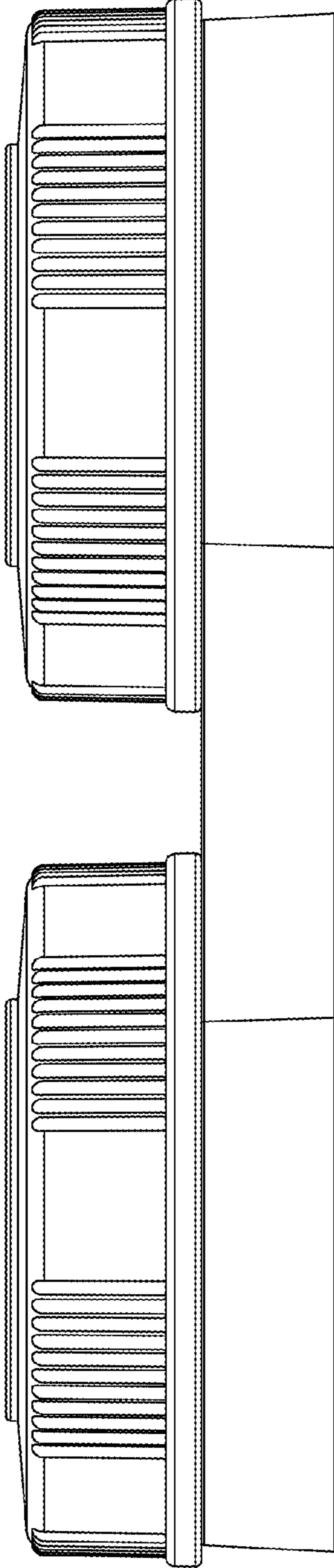


FIG. 3

FIG. 4

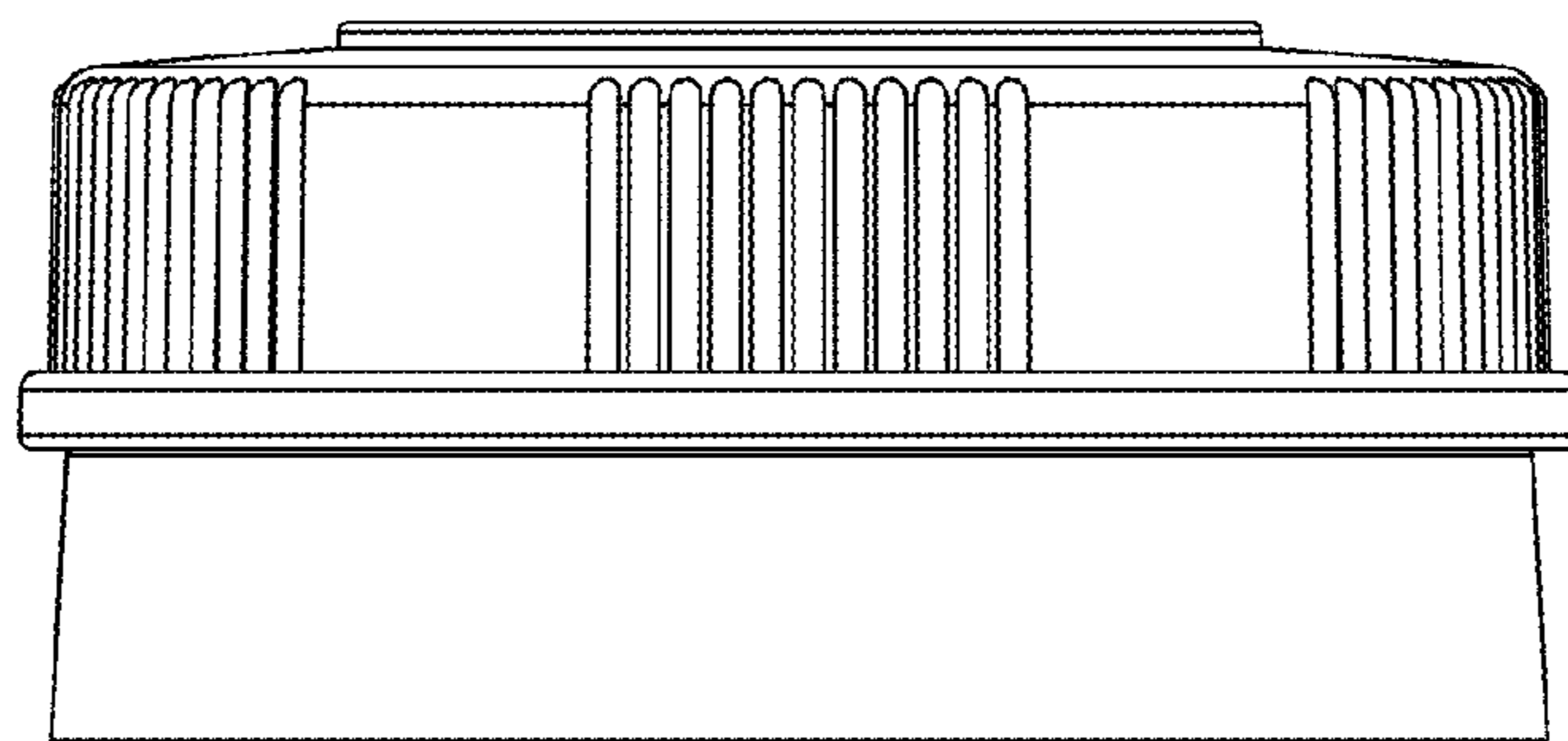
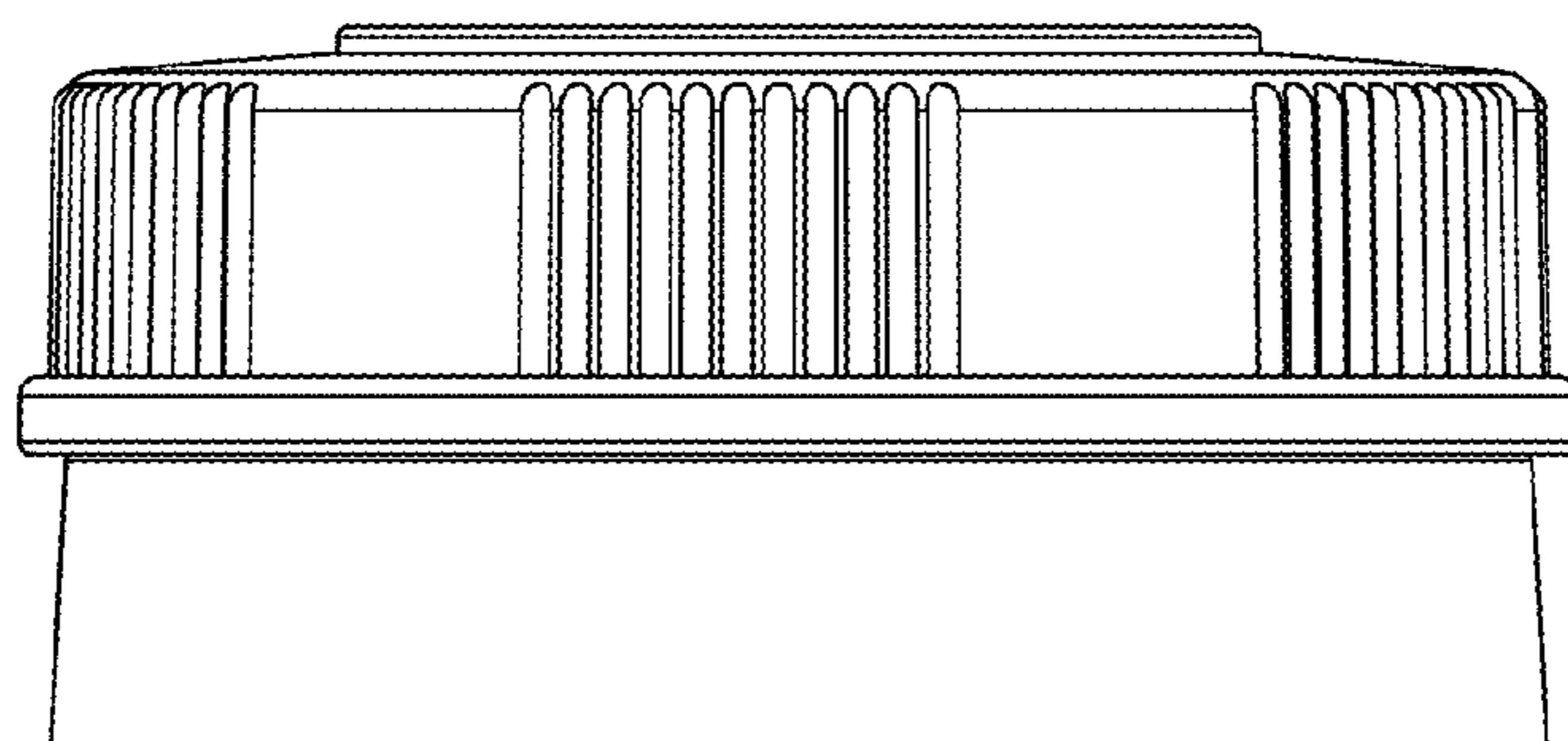


FIG. 5



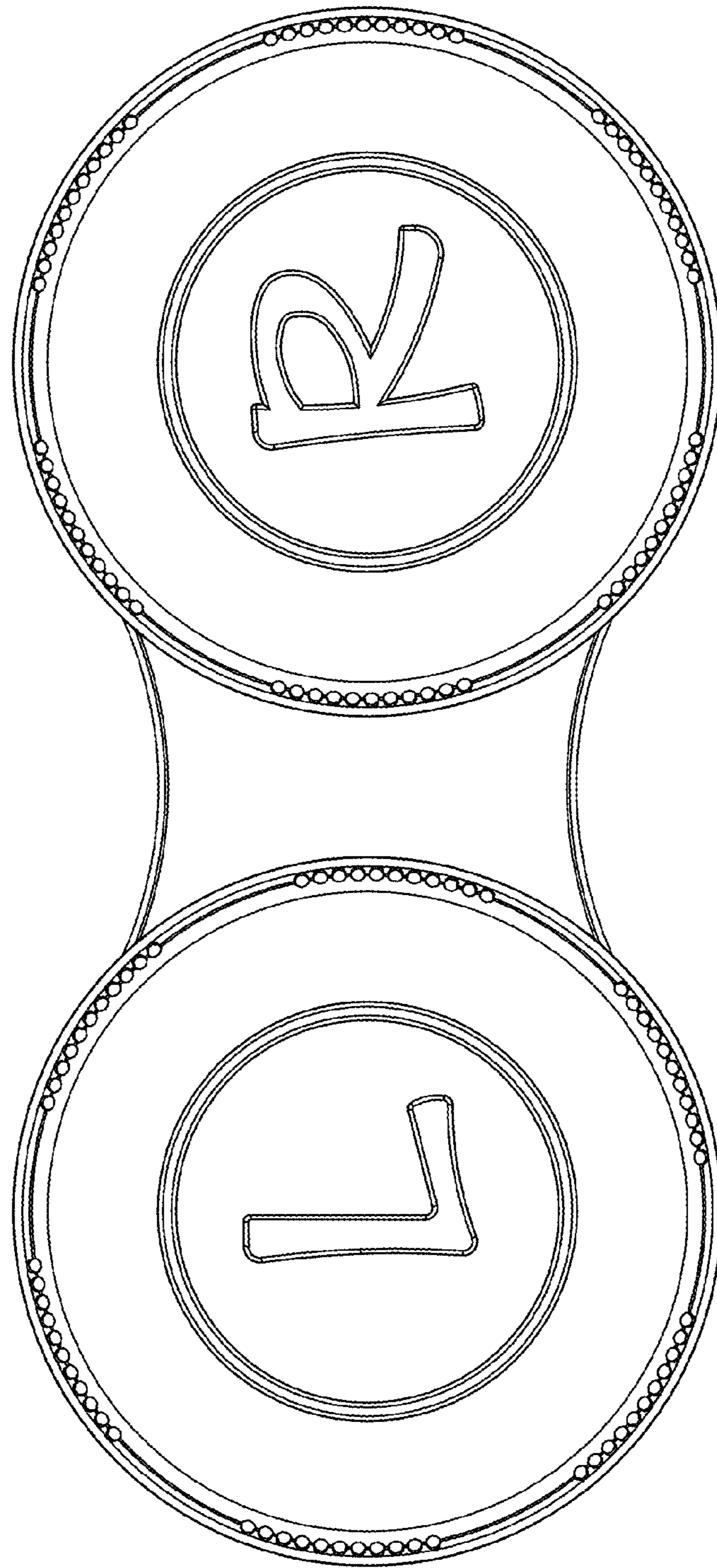


FIG. 6

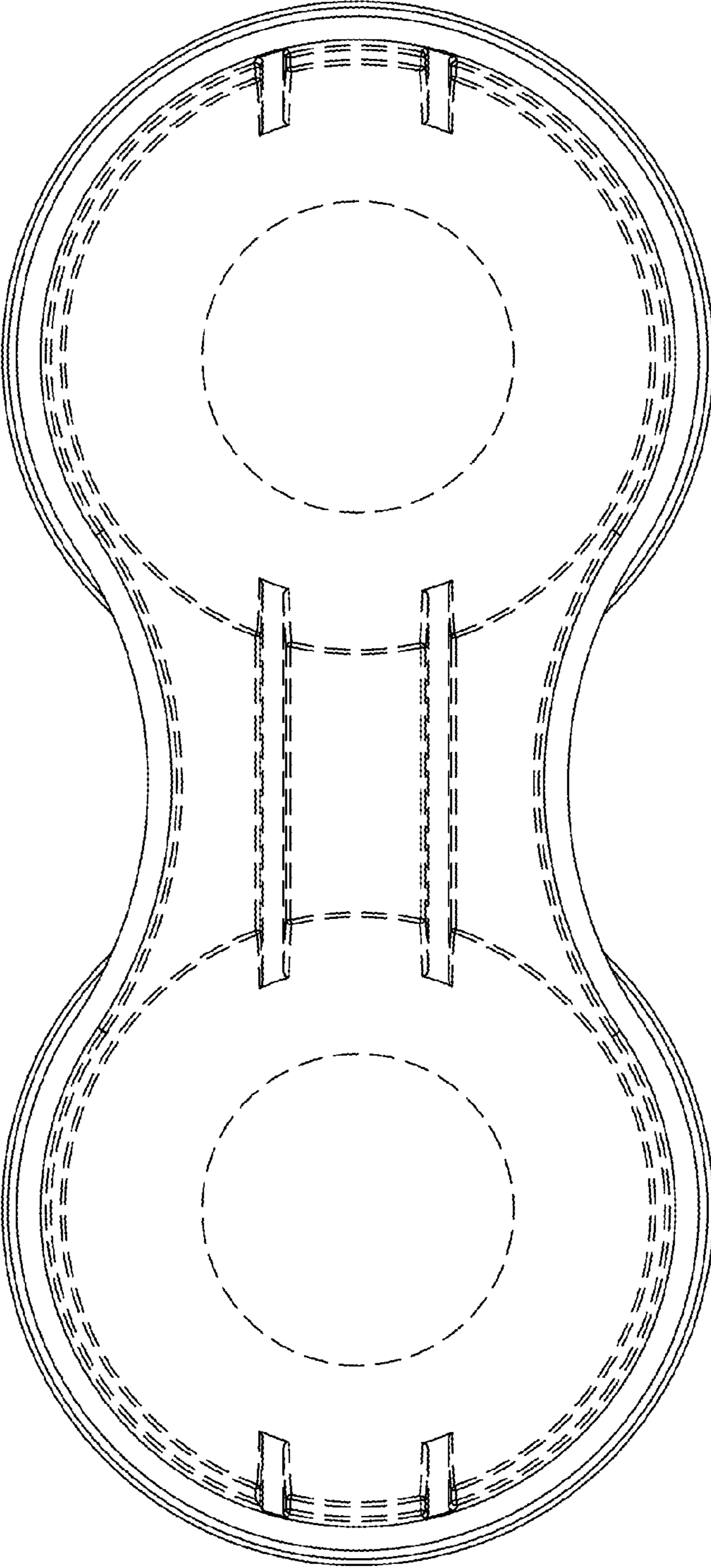


FIG. 7