



US00D720529S

(12) **United States Design Patent**  
**Hintze**

(10) **Patent No.:** **US D720,529 S**  
(45) **Date of Patent:** **\*\* Jan. 6, 2015**

(54) **TOOL POUCH**

(71) Applicant: **Ian Hintze**, Lynbrook, NY (US)

(72) Inventor: **Ian Hintze**, Lynbrook, NY (US)

(\*\*) Term: **14 Years**

(21) Appl. No.: **29/460,265**

(22) Filed: **Jul. 9, 2013**

(51) **LOC (10) Cl.** ..... **03-01**

(52) **U.S. Cl.**  
USPC ..... **D3/228**

(58) **Field of Classification Search**  
USPC ..... D3/228, 224, 226, 315; 224/236,  
224/250–251, 253, 255, 242, 269, 267, 577,  
224/671, 673, 667, 669, 677, 911; 206/364,  
206/366, 373; D2/860–861, 864

See application file for complete search history.

(56) **References Cited**

U.S. PATENT DOCUMENTS

1,990,135 A	2/1935	Sato	
2,400,417 A	5/1946	Hickey	
2,542,580 A	2/1951	Sato	
2,683,000 A	7/1954	Beiderwell	
3,420,503 A	1/1969	Stangl	
4,303,187 A	12/1981	Berman	
4,848,624 A	7/1989	Clem	
4,953,767 A	9/1990	Bennett	
4,993,614 A	2/1991	Bonofiglo	
D348,778 S *	7/1994	Dancyger	D3/228
5,445,303 A	8/1995	Cawile, Jr.	
D366,144 S *	1/1996	Alves	D3/228
5,568,889 A	10/1996	Holloway, Jr. et al.	
D417,073 S *	11/1999	Diener et al.	D3/228
D433,229 S *	11/2000	Harker et al.	D3/228
6,149,042 A	11/2000	Rassias	

D436,243 S *	1/2001	Hoy	D2/864
D436,436 S *	1/2001	Lin	D3/228
D447,864 S	9/2001	Casparian	
6,820,838 B2	11/2004	Martin et al.	
D507,106 S	7/2005	Lyle	
7,766,203 B2	8/2010	Marinaj	
2003/0213827 A1	11/2003	Langmuir	
2005/0120454 A1	6/2005	Cunningham	
2008/0083796 A1	4/2008	Lalli	
2008/0185412 A1	8/2008	Hollins	
2009/0302082 A1	12/2009	Freeny	
2010/0294821 A1	11/2010	Szabo	

OTHER PUBLICATIONS

“Blackhawk Omega VI Ultra Holster” <http://www.copsplus.com/prodnum7220.php>—updated, print date Jun. 2013.

(Continued)

*Primary Examiner* — Catheri Oliver-Garcia  
(74) *Attorney, Agent, or Firm* — Hoffmann & Baron, LLP

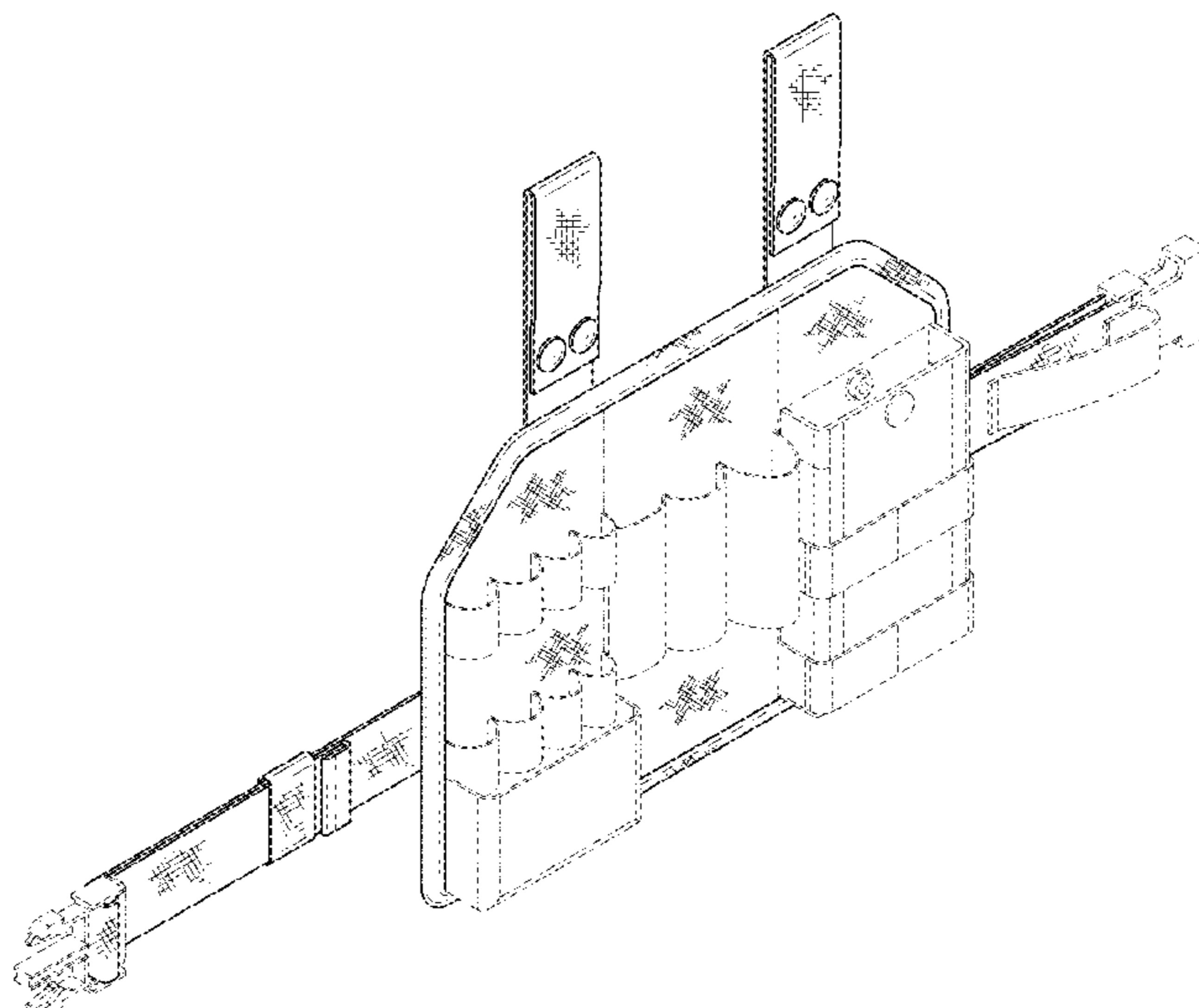
(57) **CLAIM**

The ornamental design for a tool pouch, as shown and described.

**DESCRIPTION**

FIG. 1 is a perspective view of a tool pouch secured to a wearer, showing the new design;  
FIG. 2 is a front perspective view thereof;  
FIG. 3 is a front elevational view thereof;  
FIG. 4 is a first side elevational view thereof;  
FIG. 5 is a rear elevational view thereof;  
FIG. 6 is a second side elevational view thereof;  
FIG. 7 is a top plan view thereof; and,  
FIG. 8 is a bottom plan view thereof.  
The portions shown in dashed lines form no part of the claimed design.

**1 Claim, 6 Drawing Sheets**



(56)

**References Cited**

OTHER PUBLICATIONS

“Cqc Drop Leg Mag Flashlight Pouch For P226 Airsoft Pistol Hoster” [http://www.alibaba.com/product-gs/868859861/CQC\\_Drop\\_Leg\\_Mag\\_Flashlight\\_Pouch.html](http://www.alibaba.com/product-gs/868859861/CQC_Drop_Leg_Mag_Flashlight_Pouch.html)—undated, print date Jun. 2013.

“Tactical Drop Leg Rig w/Universal Belt” <http://www.majorsurplus.com/tactical-drop-leg-rig-w-universal-belt-p13878.aspx>—undated, print date Jun. 2013.

“Pro-Fit Carry Systems” <http://www.pro-fitcarrysystems.com/modular-leg-platform.html>—undated, print date Jun. 2013.

Pro-Fit Carry Systems: “Pro Fit Introduces Thigh Tool Carrier Belt” Wastewater Press Release—undated, print date Jun. 2013.

Design U.S. Appl. No. 29/449,889 to Ian Hintze filed Mar. 15, 2013.

U.S. Appl. No. 13/867,888 to Ian Hintze filed Apr. 22, 2013.

\* cited by examiner

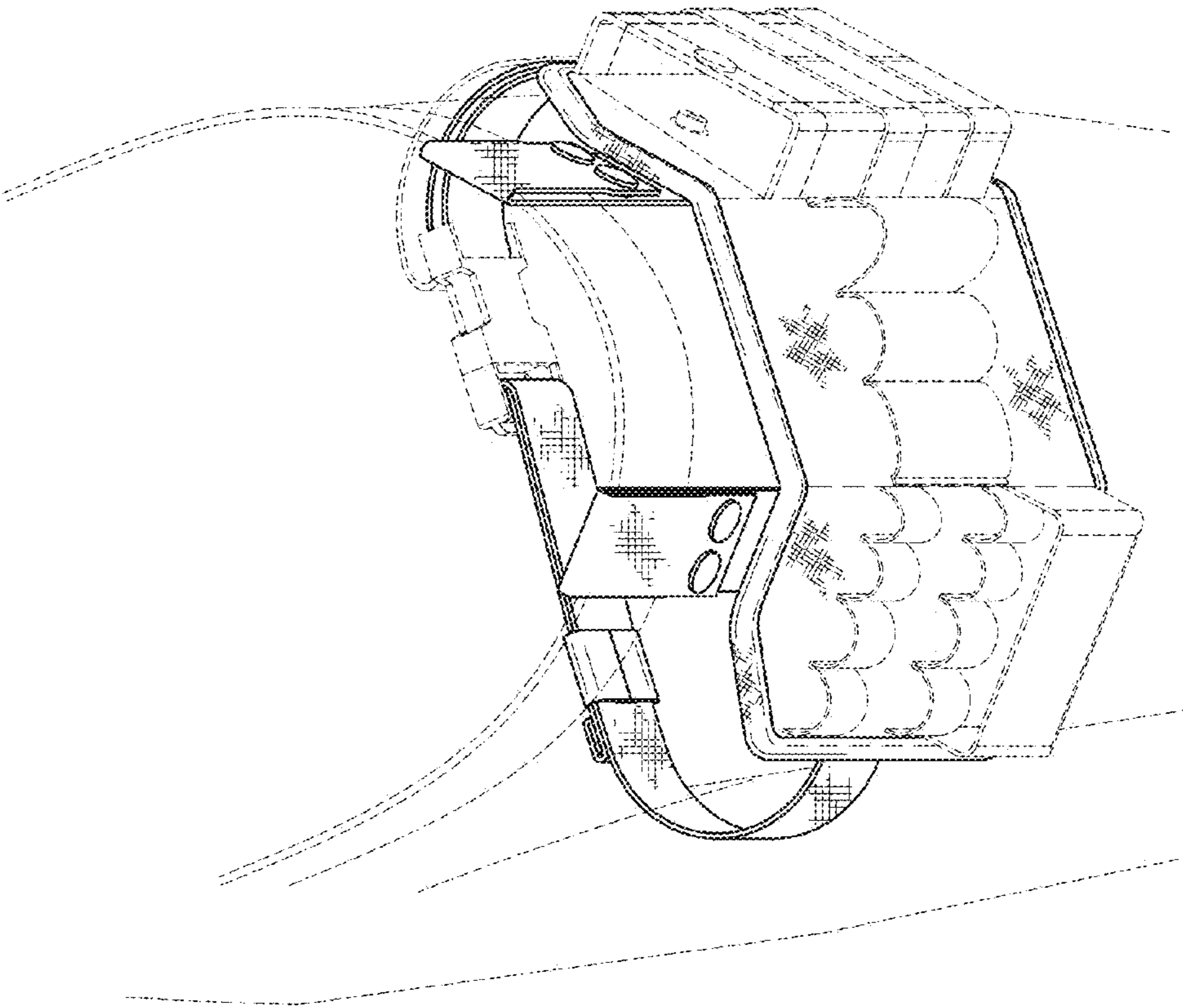


FIG. 1

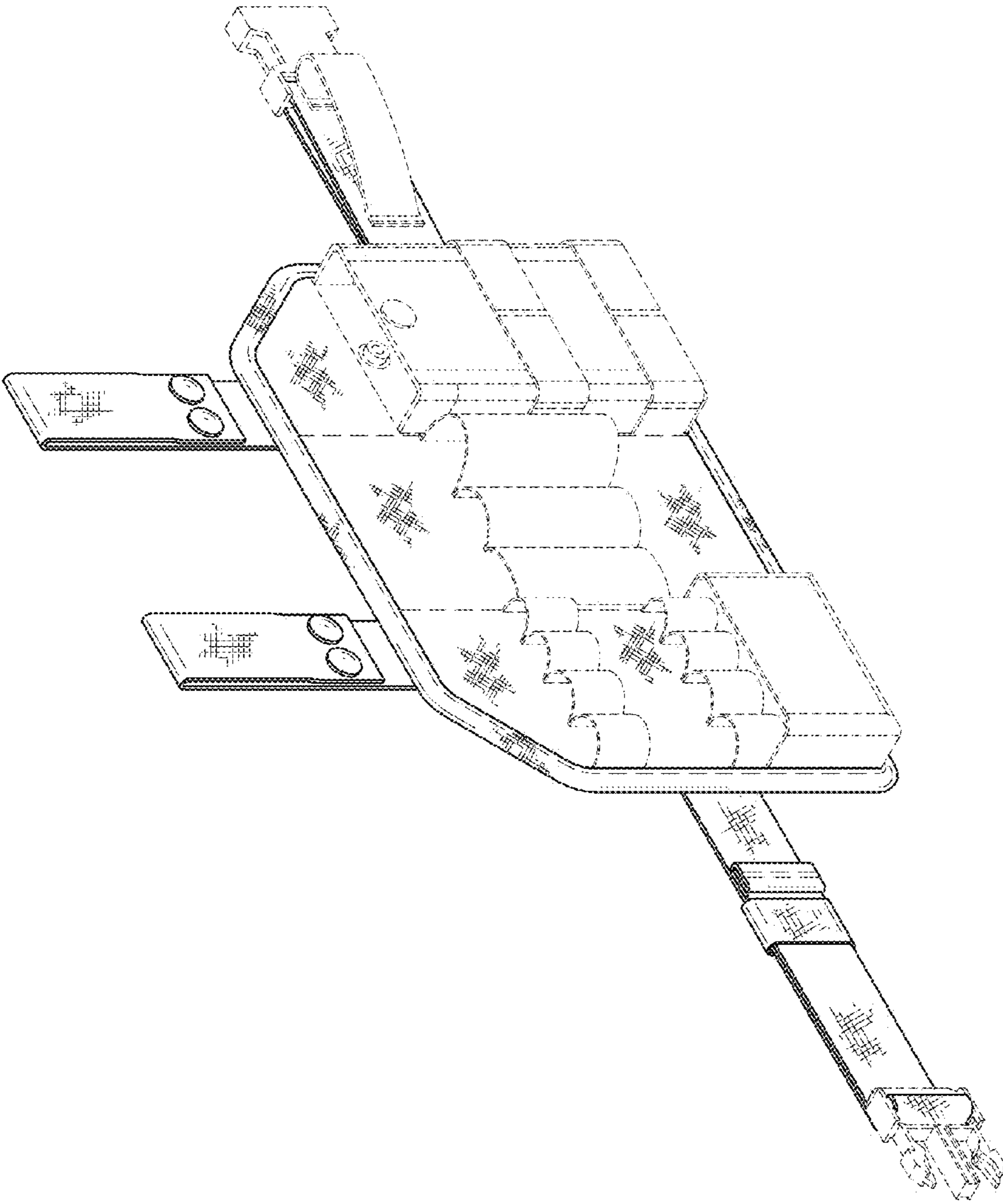


FIG. 2

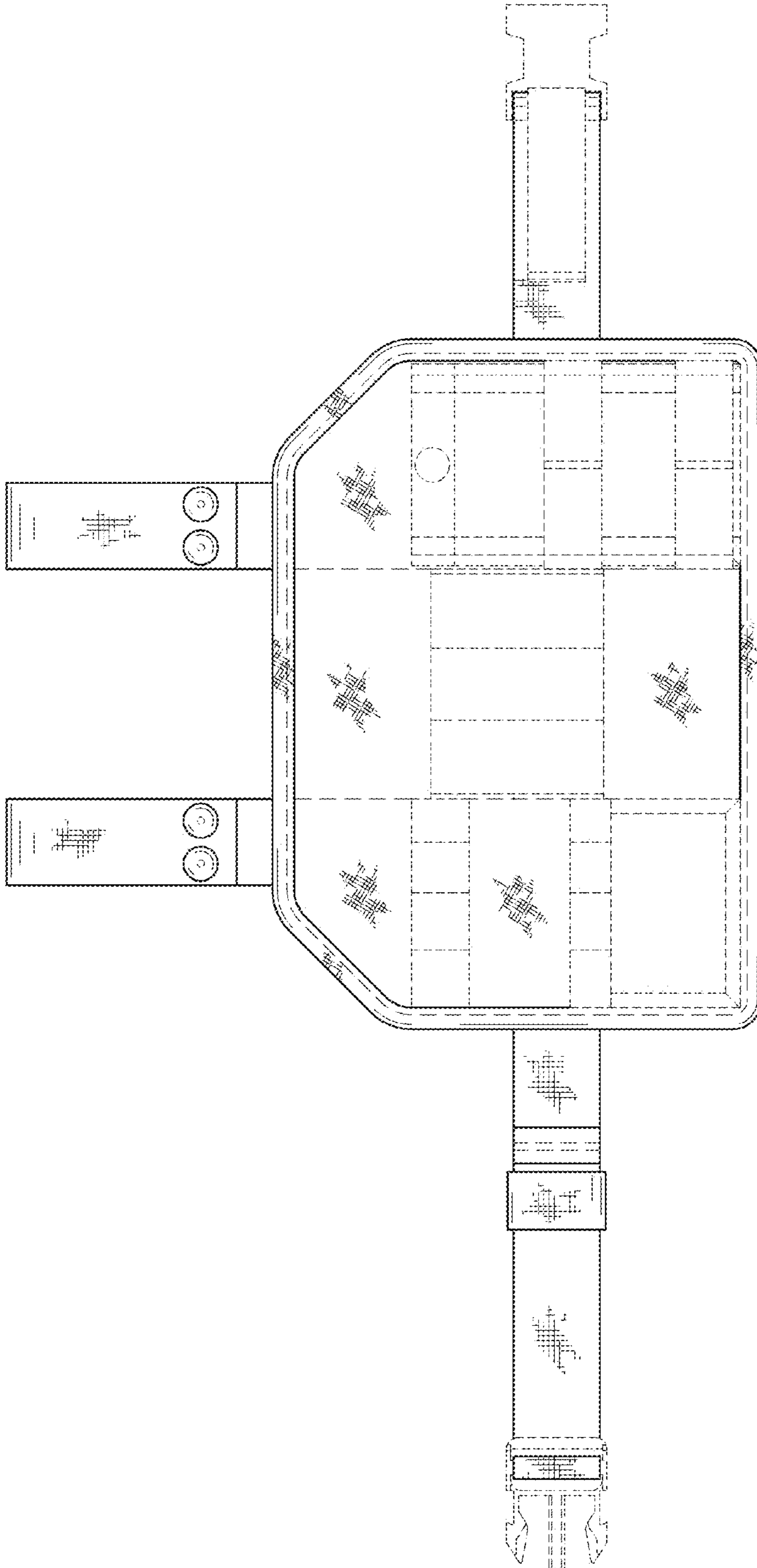


FIG. 3

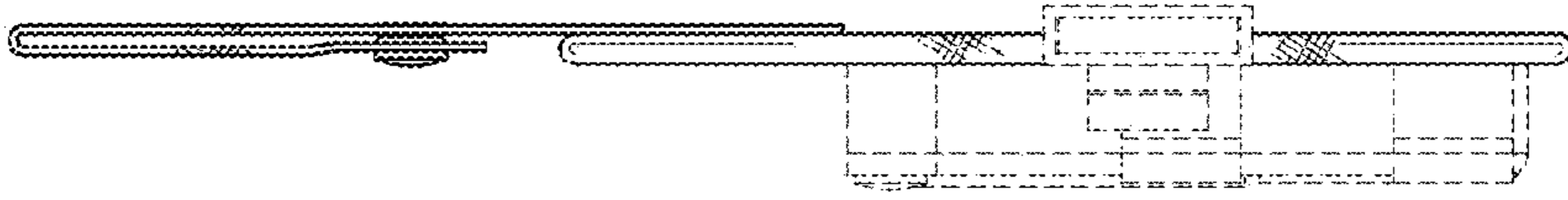


FIG. 6

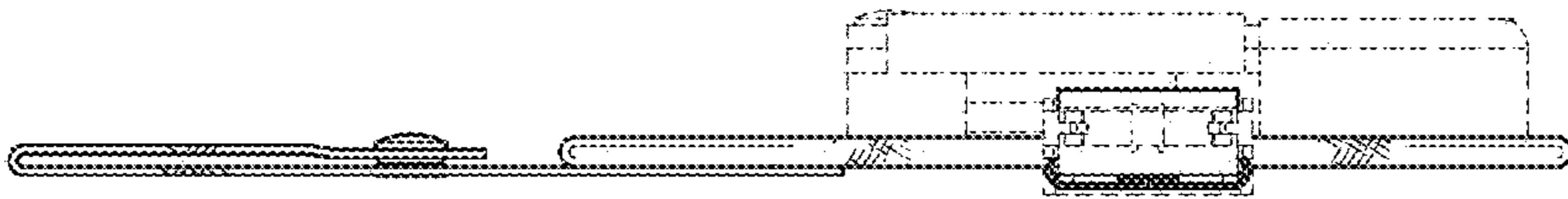


FIG. 4

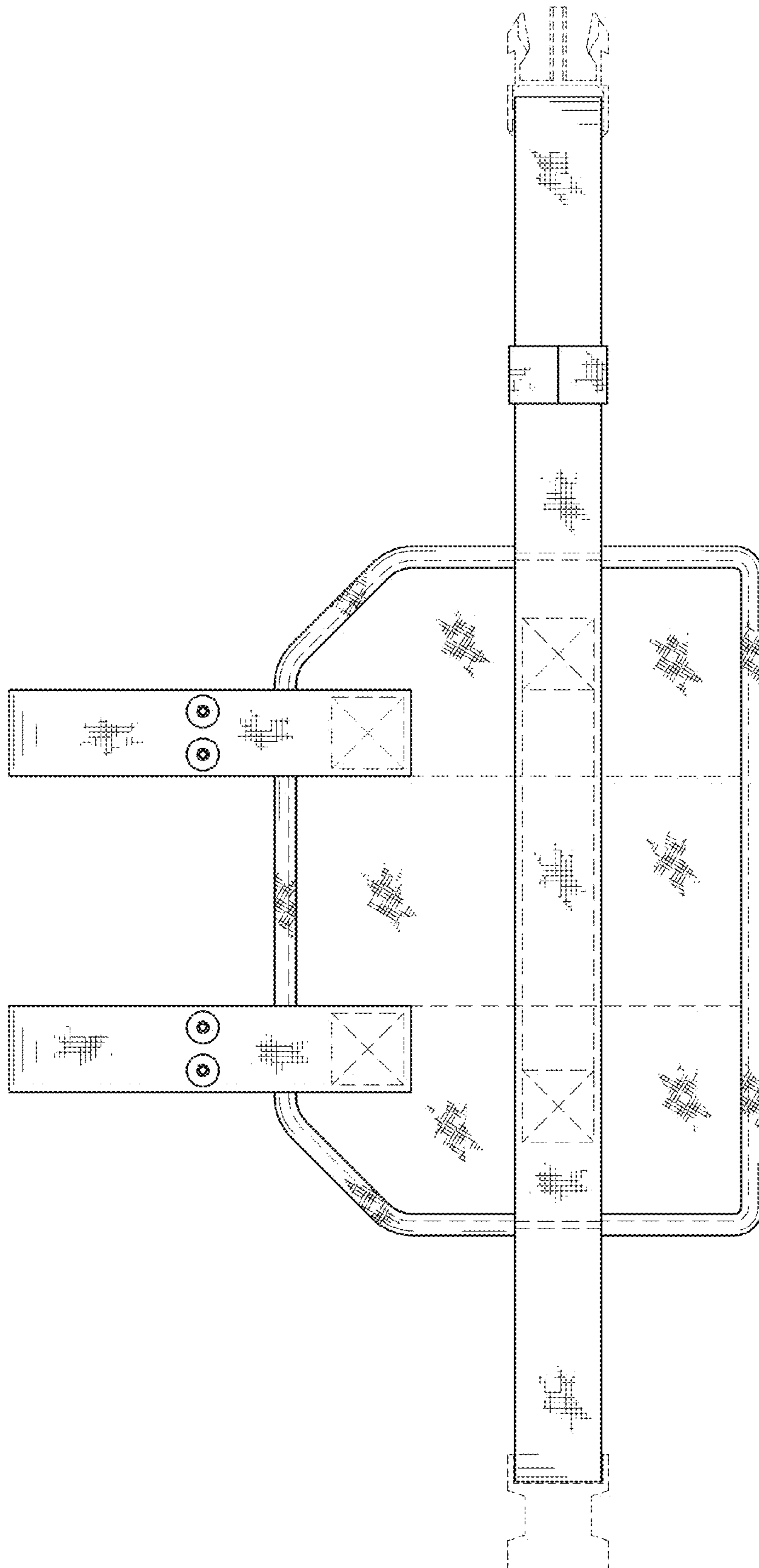


FIG. 5

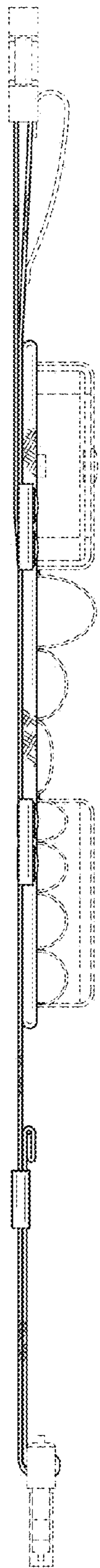


FIG. 7

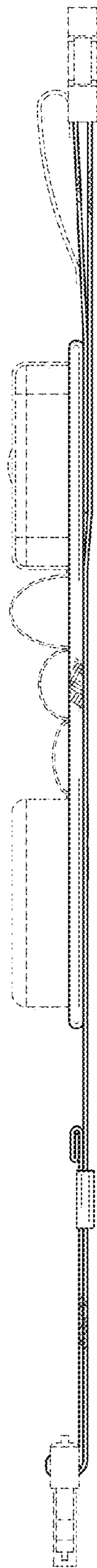


FIG. 8