

US00D720528S

(12) **United States Design Patent**  
**Young**

(10) **Patent No.:** **US D720,528 S**  
(45) **Date of Patent:** **\*\* \*Jan. 6, 2015**

(54) **BELT WITH FISHING ROD HOLDERS**

(71) Applicant: **Stanley Young**, Clearwater, FL (US)

(72) Inventor: **Stanley Young**, Clearwater, FL (US)

(\*) Notice: This patent is subject to a terminal disclaimer.

(\*\*) Term: **14 Years**

(21) Appl. No.: **29/473,765**

(22) Filed: **Nov. 26, 2013**

(51) **LOC (10) Cl.** ..... **03-01**

(52) **U.S. Cl.**  
USPC ..... **D3/221**

(58) **Field of Classification Search**  
CPC ..... A45F 5/021; A45F 2200/0565  
USPC ..... D3/221, 215; 224/200, 251, 262, 581,  
224/662, 676, 922; 43/21.2; D22/137-138,  
D22/147

See application file for complete search history.

(56) **References Cited**

**U.S. PATENT DOCUMENTS**

2,068,054 A 1/1937 Haislip  
3,282,482 A 11/1966 Scharsu

3,874,573 A	4/1975	Fruscella et al.	
3,885,721 A *	5/1975	Vanus .....	224/581
4,081,115 A	3/1978	White et al.	
D295,776 S	5/1988	Johansen	
4,802,612 A	2/1989	Anderson	
5,123,578 A *	6/1992	Morse .....	224/581
5,571,228 A	11/1996	McMurtrie	
6,237,821 B1	5/2001	Owen	
6,591,542 B1 *	7/2003	Jordan .....	43/21.2
7,013,596 B1	3/2006	Moore	
D523,109 S *	6/2006	Palmer, Jr. ....	D22/147
D616,643 S *	6/2010	Casper .....	D3/221
8,181,381 B1	5/2012	Kelleher	
8,418,899 B1 *	4/2013	Stamps .....	224/251

\* cited by examiner

*Primary Examiner* — Catheri Oliver-Garcia

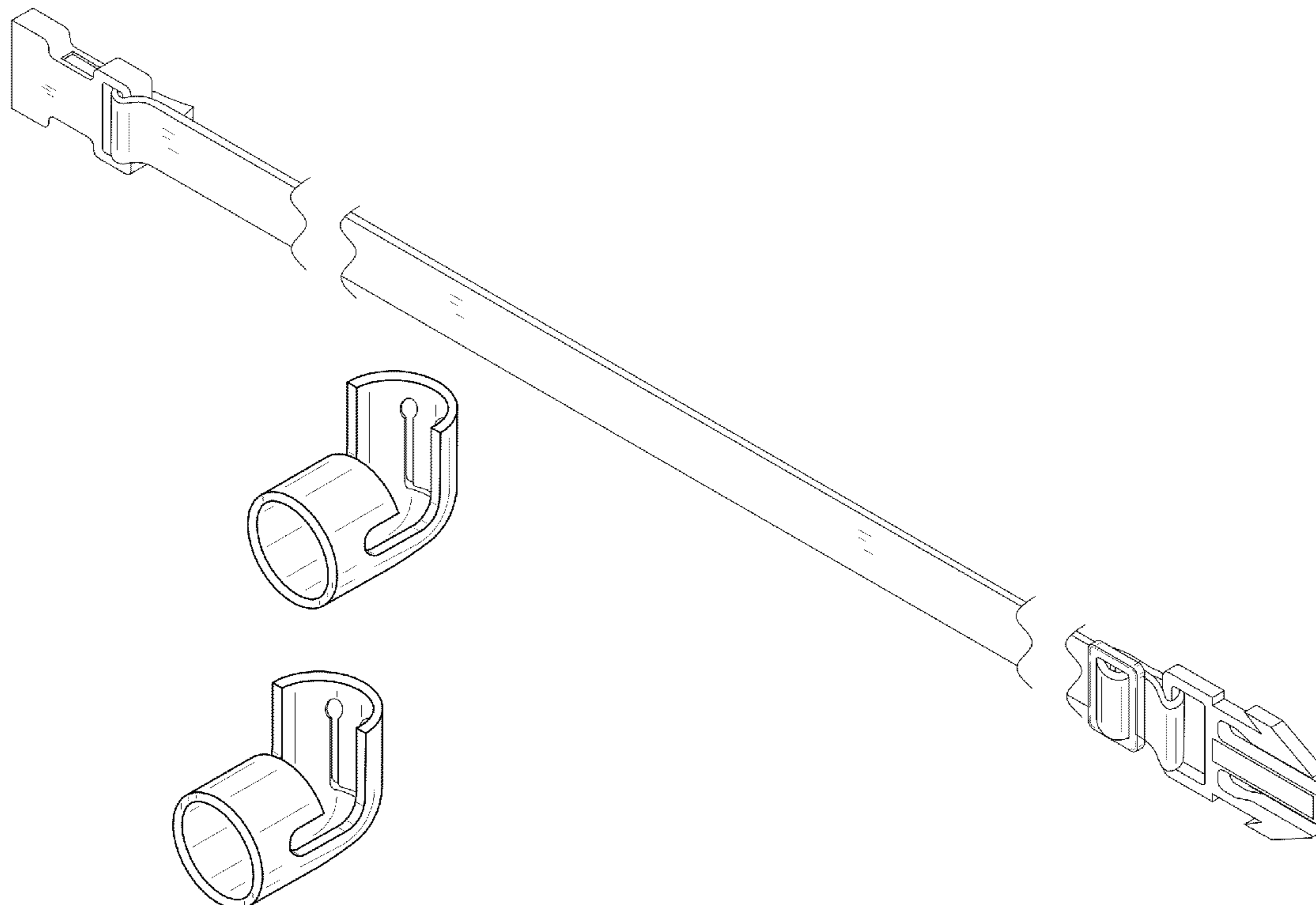
(57) **CLAIM**

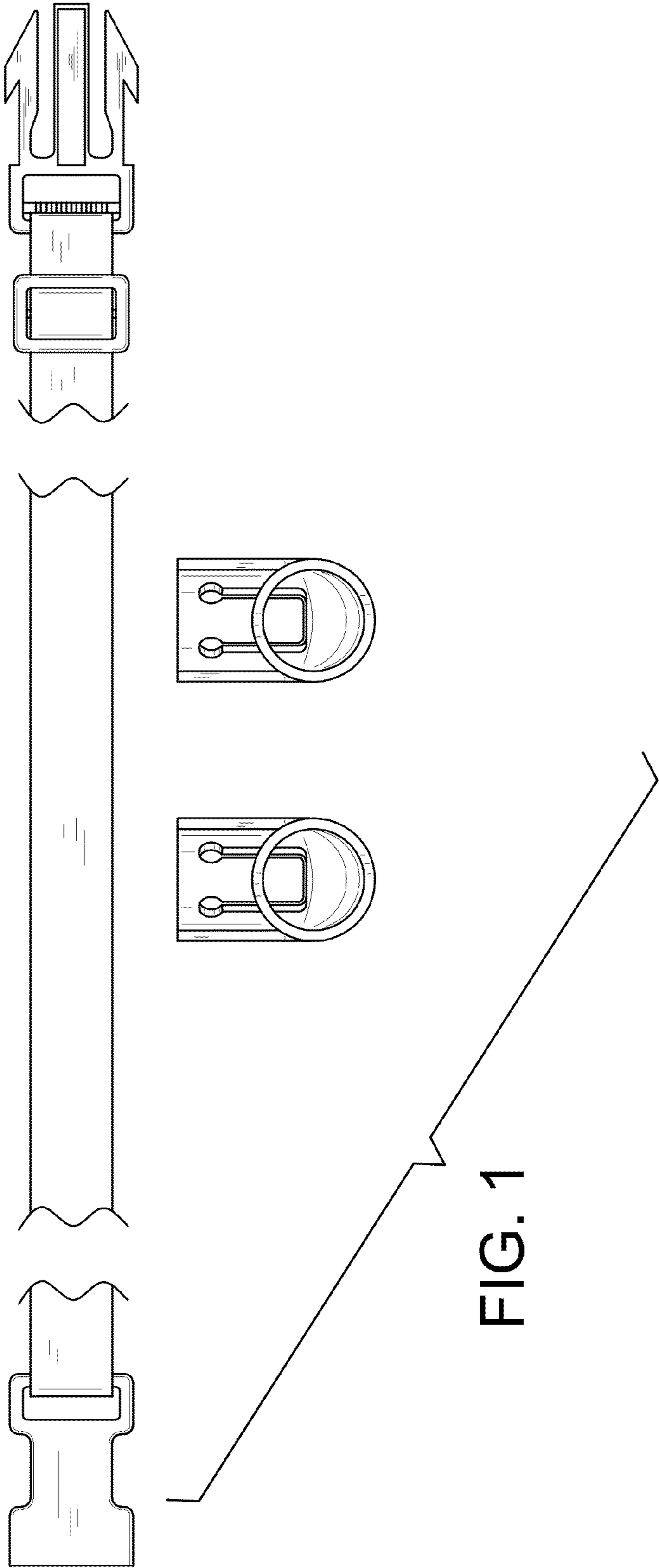
I claim the ornamental design for the belt with fishing rod holders, as shown and described.

**DESCRIPTION**

FIG. 1 is a front view of the belt with fishing rod holders.  
FIG. 2 is a rear view of the claimed design.  
FIG. 3 is a left side view of the claimed design.  
FIG. 4 is a right side view of the claimed design.  
FIG. 5 is a top view of the claimed design.  
FIG. 6 is a bottom view of the claimed design; and,  
FIG. 7 is a perspective view of the claimed design.

**1 Claim, 6 Drawing Sheets**





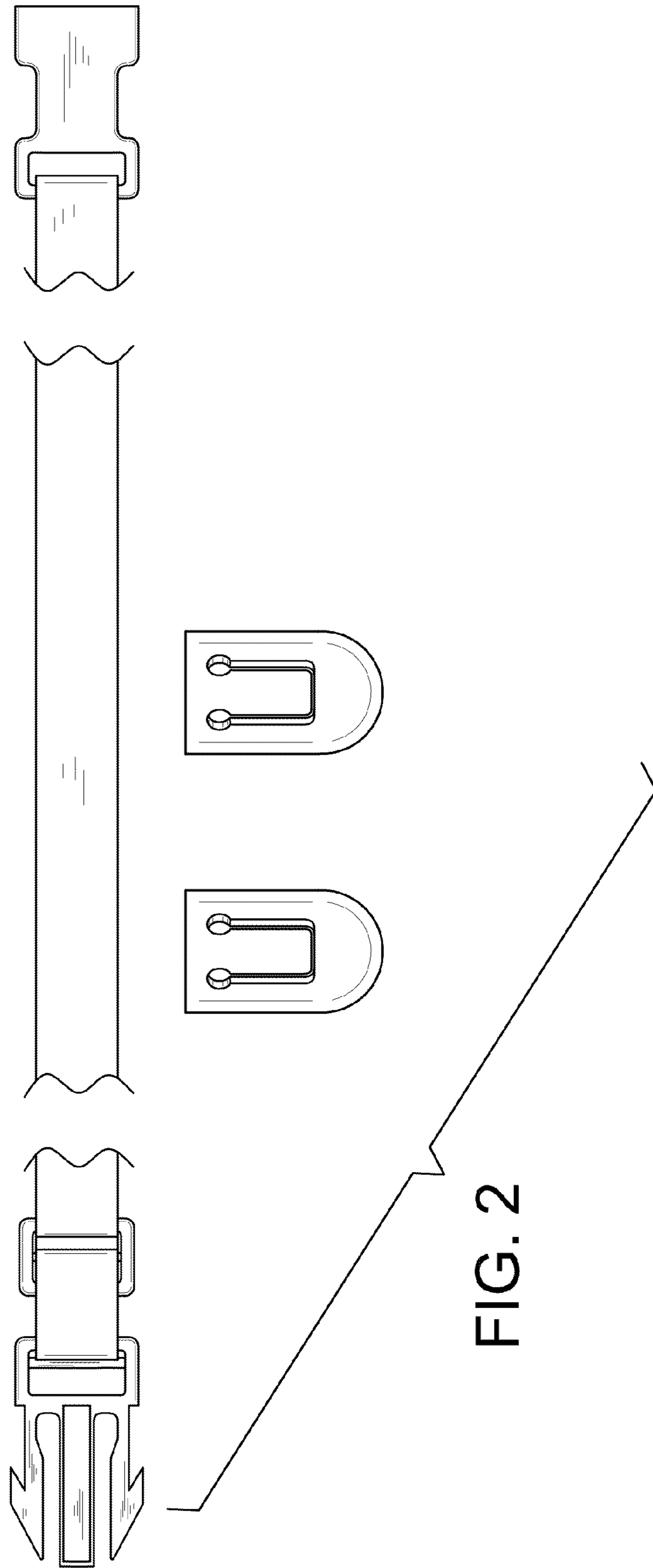


FIG. 2

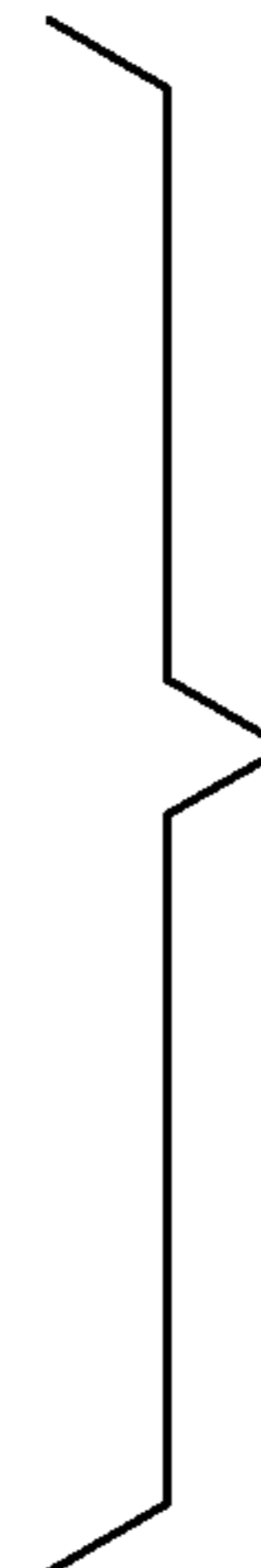
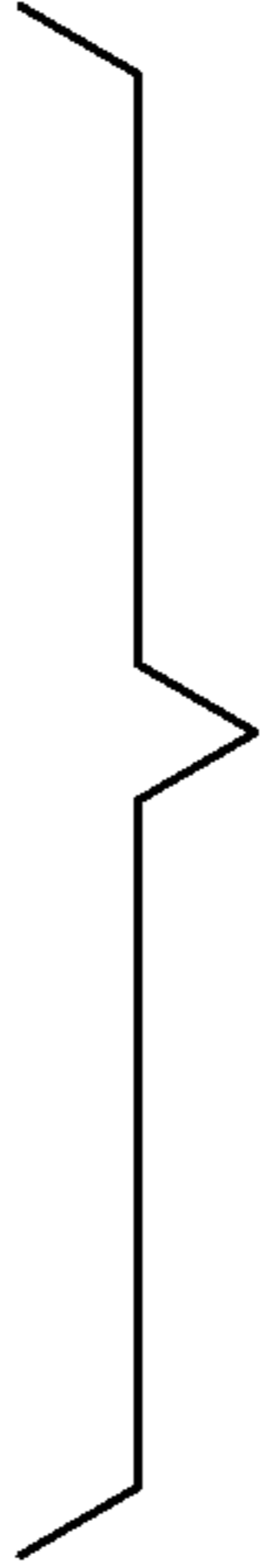
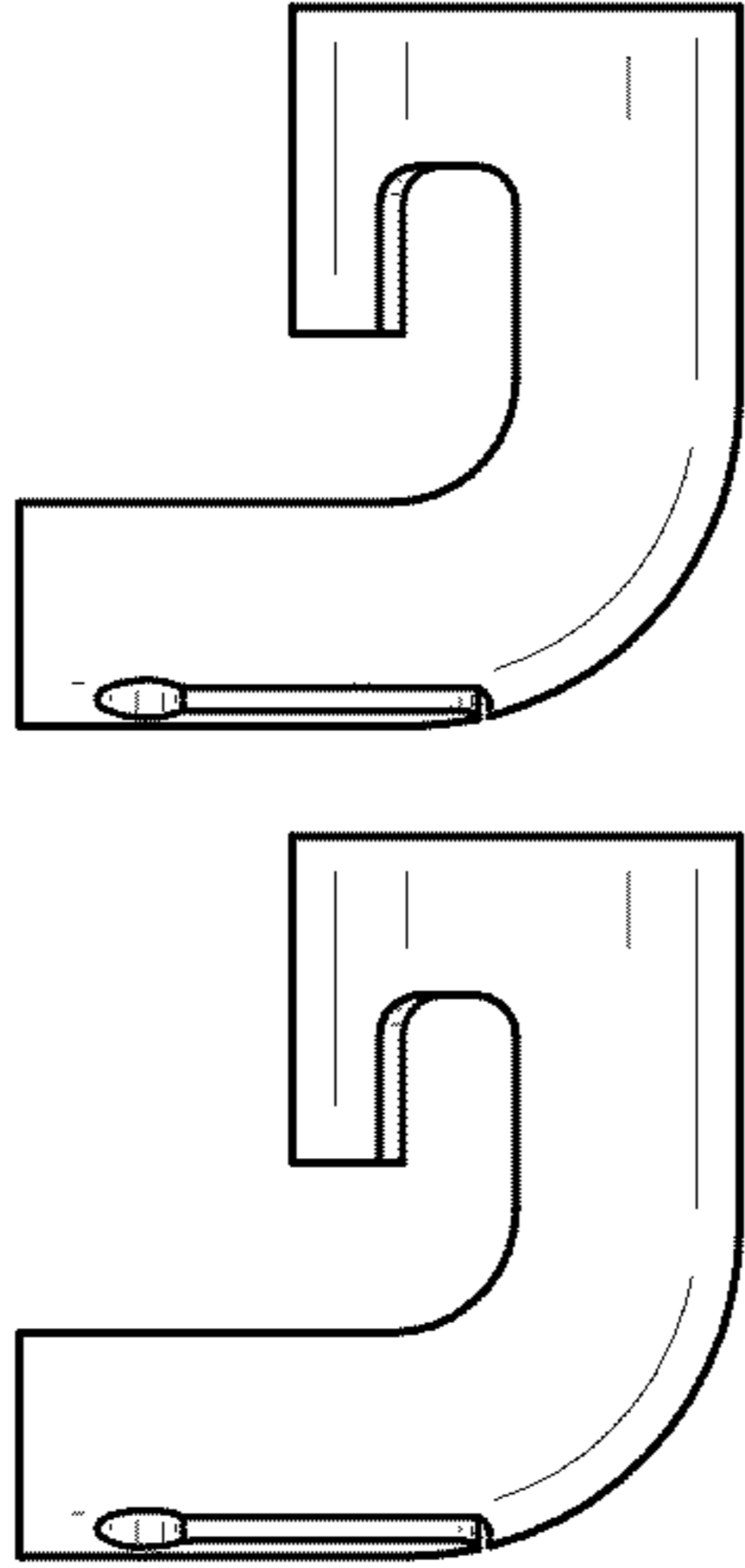
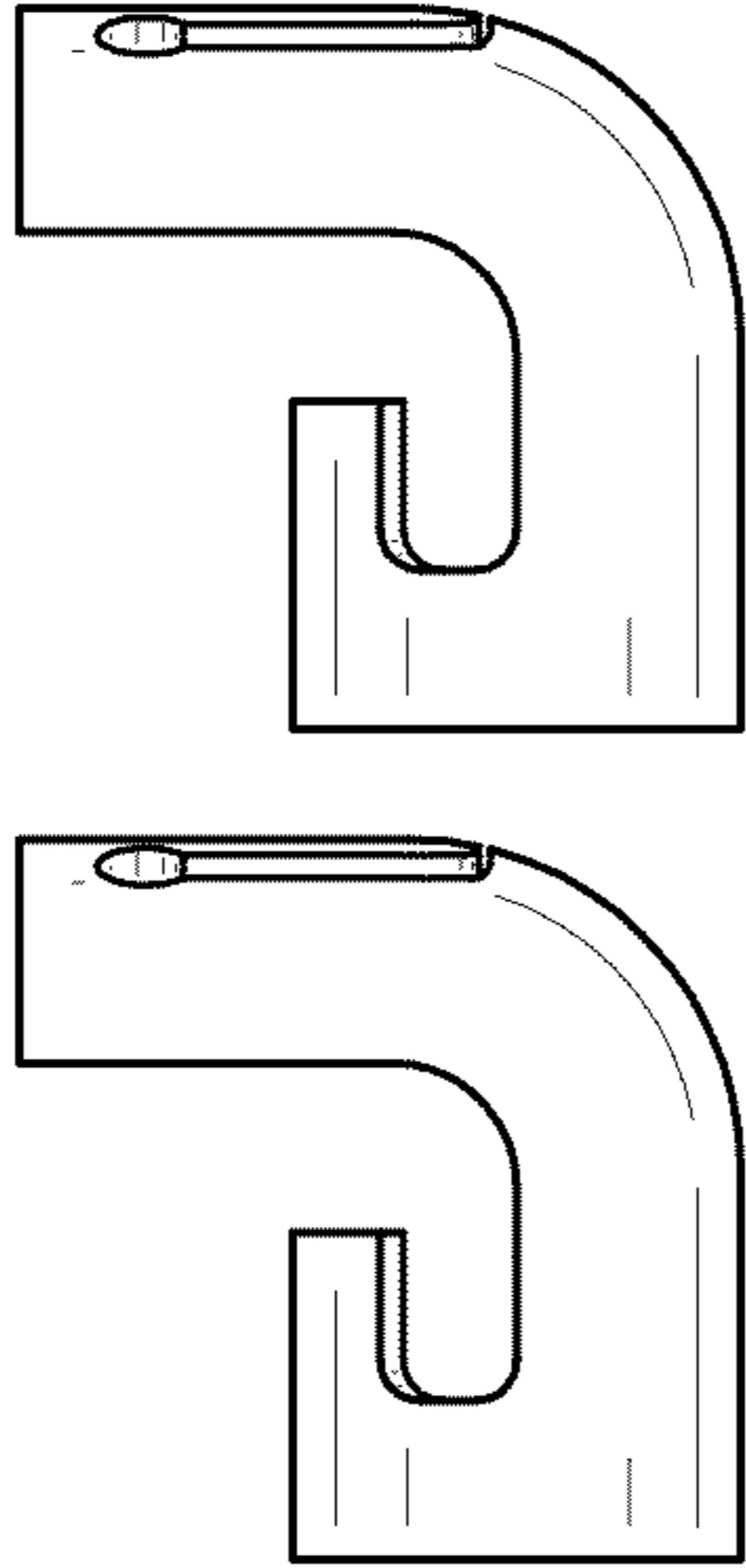
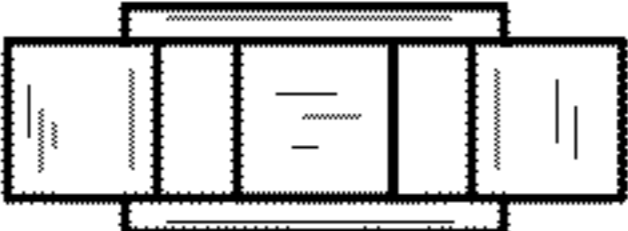
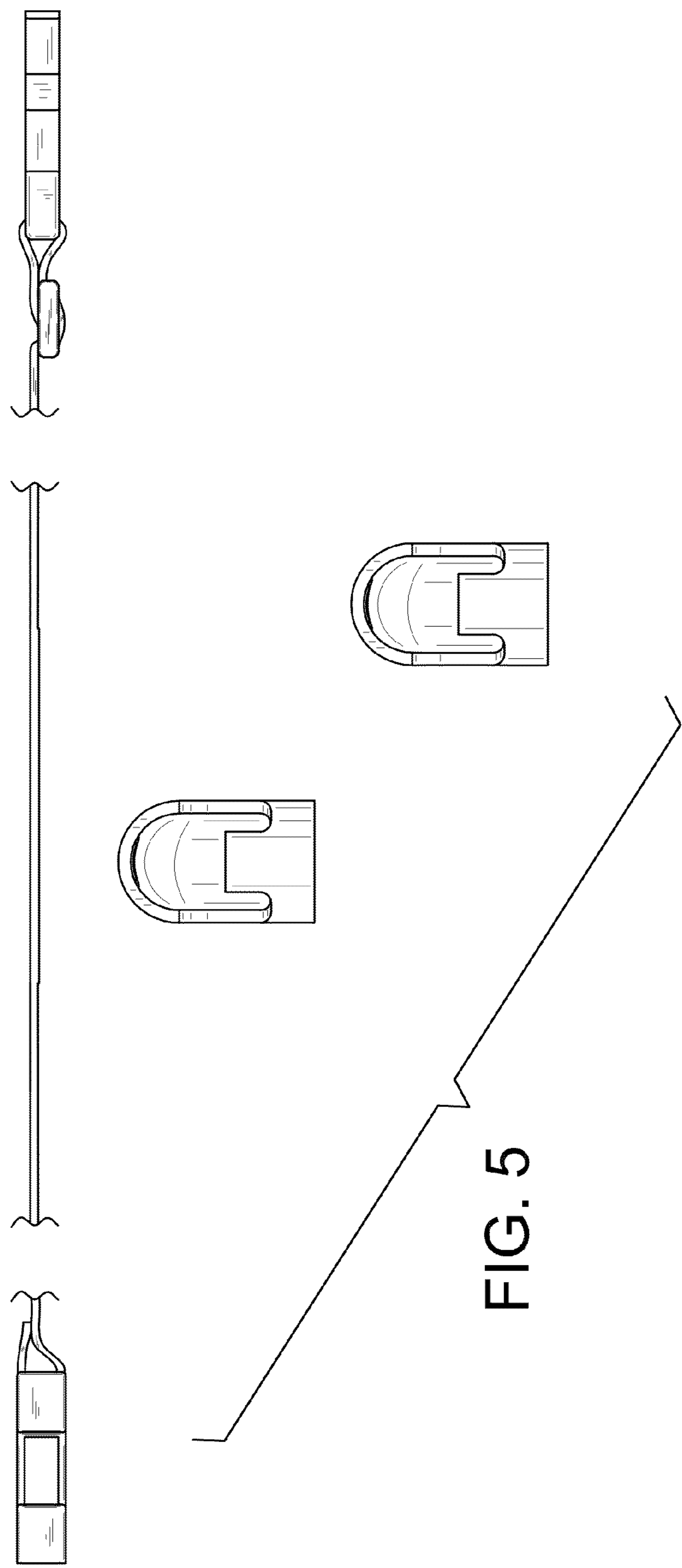


FIG. 4

FIG. 3



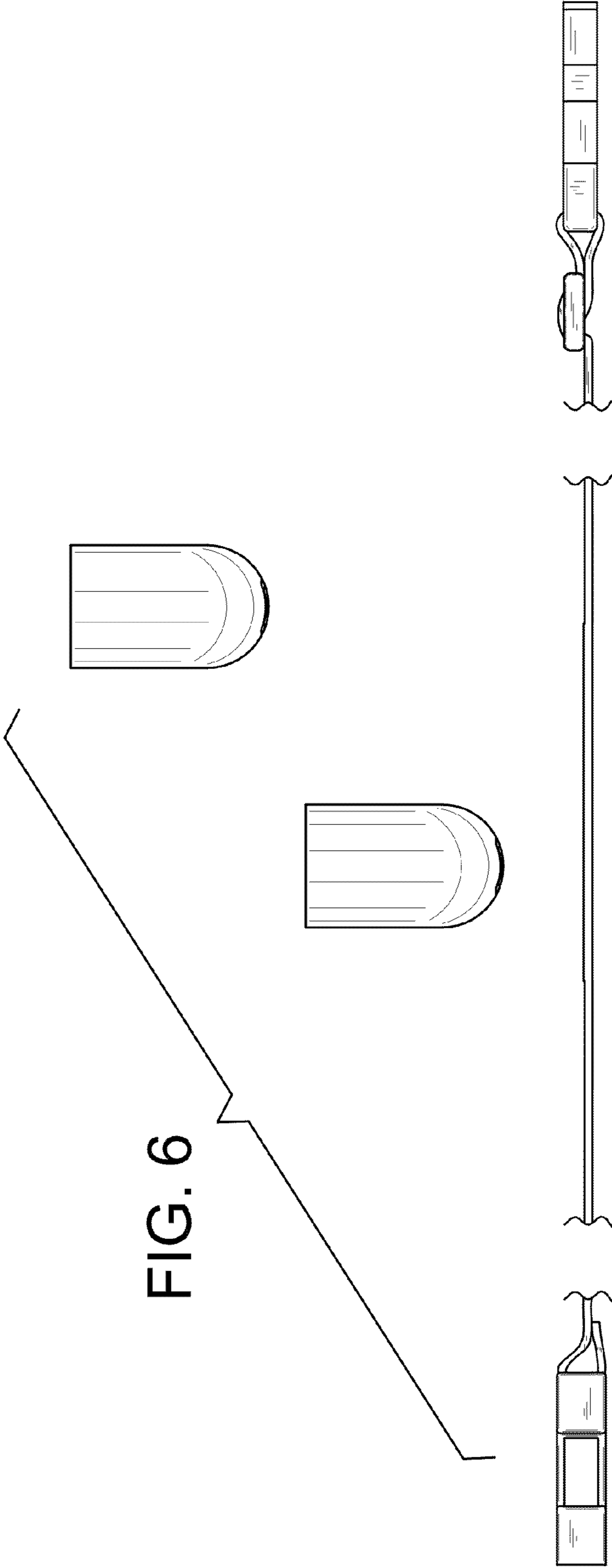


FIG. 6

