



US00D720527S

(12) **United States Design Patent**
Sircy

(10) **Patent No.:** **US D720,527 S**

(45) **Date of Patent:** **** Jan. 6, 2015**

(54) **BELT CLIP ATTACHMENT FOR AN AEROSOL CAN**

(71) Applicant: **Mark L. Sircy**, Vonore, TN (US)

(72) Inventor: **Mark L. Sircy**, Vonore, TN (US)

(**) Term: **14 Years**

(21) Appl. No.: **29/463,784**

(22) Filed: **Mar. 4, 2014**

(51) **LOC (10) Cl.** **03-01**

(52) **U.S. Cl.**
USPC **D3/215**

(58) **Field of Classification Search**
USPC D3/215, 219, 228, 229; 224/148.4,
224/148.7, 242, 251, 269, 666-667;
248/312, 690-691; 222/175; D9/448;
220/709

See application file for complete search history.

(56) **References Cited**

U.S. PATENT DOCUMENTS

D203,775 S 2/1966 Fahlstrom
4,955,572 A * 9/1990 Simmons 248/312

5,232,137 A * 8/1993 Devine 224/666
D423,774 S * 5/2000 Peterson D3/229
6,349,844 B1 * 2/2002 Betras 220/709
7,748,583 B1 * 7/2010 Woltman 224/251
8,720,756 B2 * 5/2014 Parsons 224/269

* cited by examiner

Primary Examiner — Catheri Oliver-Garcia

(74) *Attorney, Agent, or Firm* — Michael E. McKee

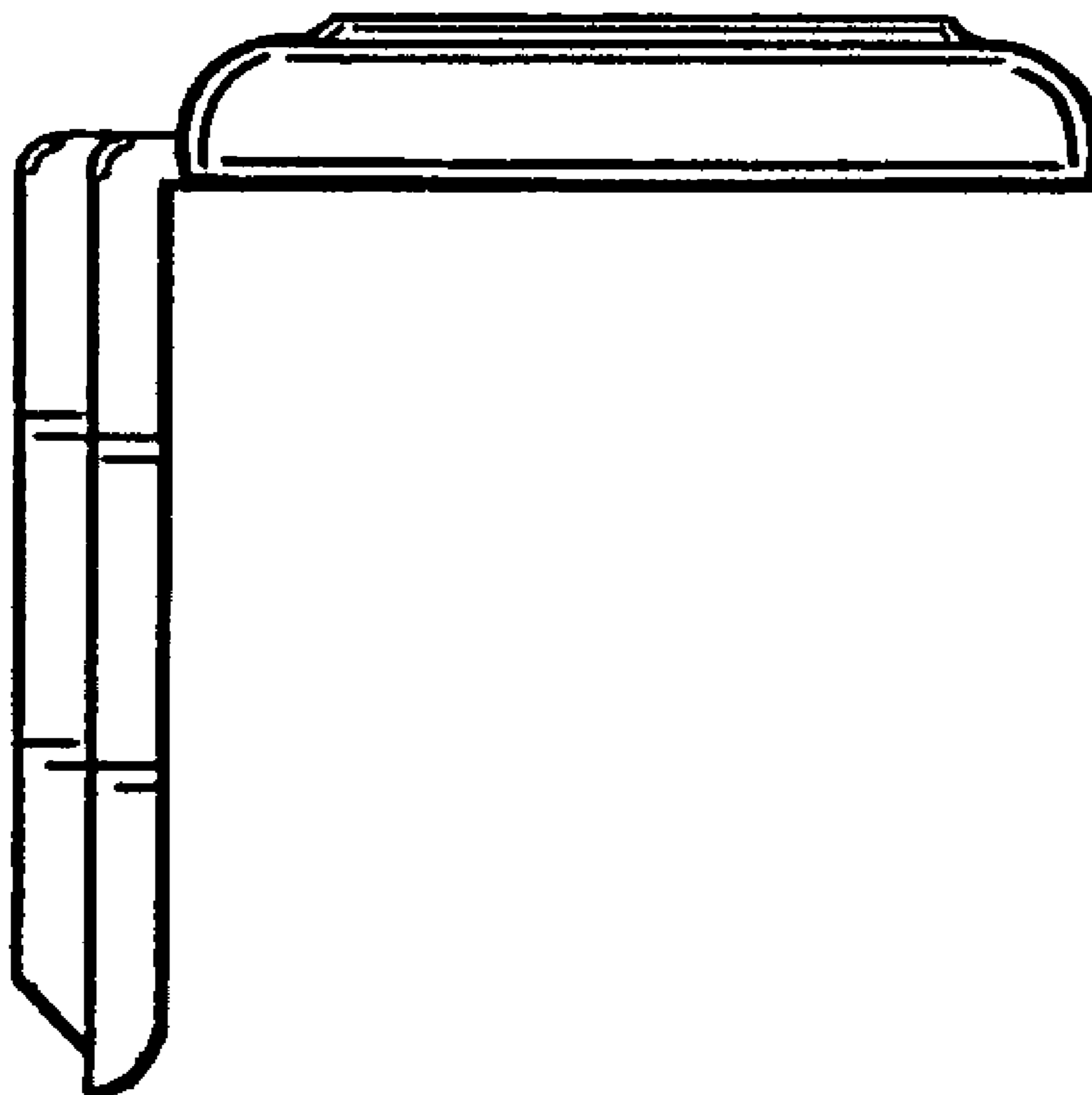
(57) **CLAIM**

The ornamental design for belt clip attachment for an aerosol can, as shown and described.

DESCRIPTION

FIG. 1 is a front view of my belt clip attachment showing my new design;
FIG. 2 is right side view thereof, the left side view being a mirror image;
FIG. 3 is a rear view thereof;
FIG. 4 is a top view thereof;
FIG. 5 is a bottom view thereof; and,
FIG. 6 is a cross-sectional view as seen along line 6-6 of FIG. 4.

1 Claim, 2 Drawing Sheets



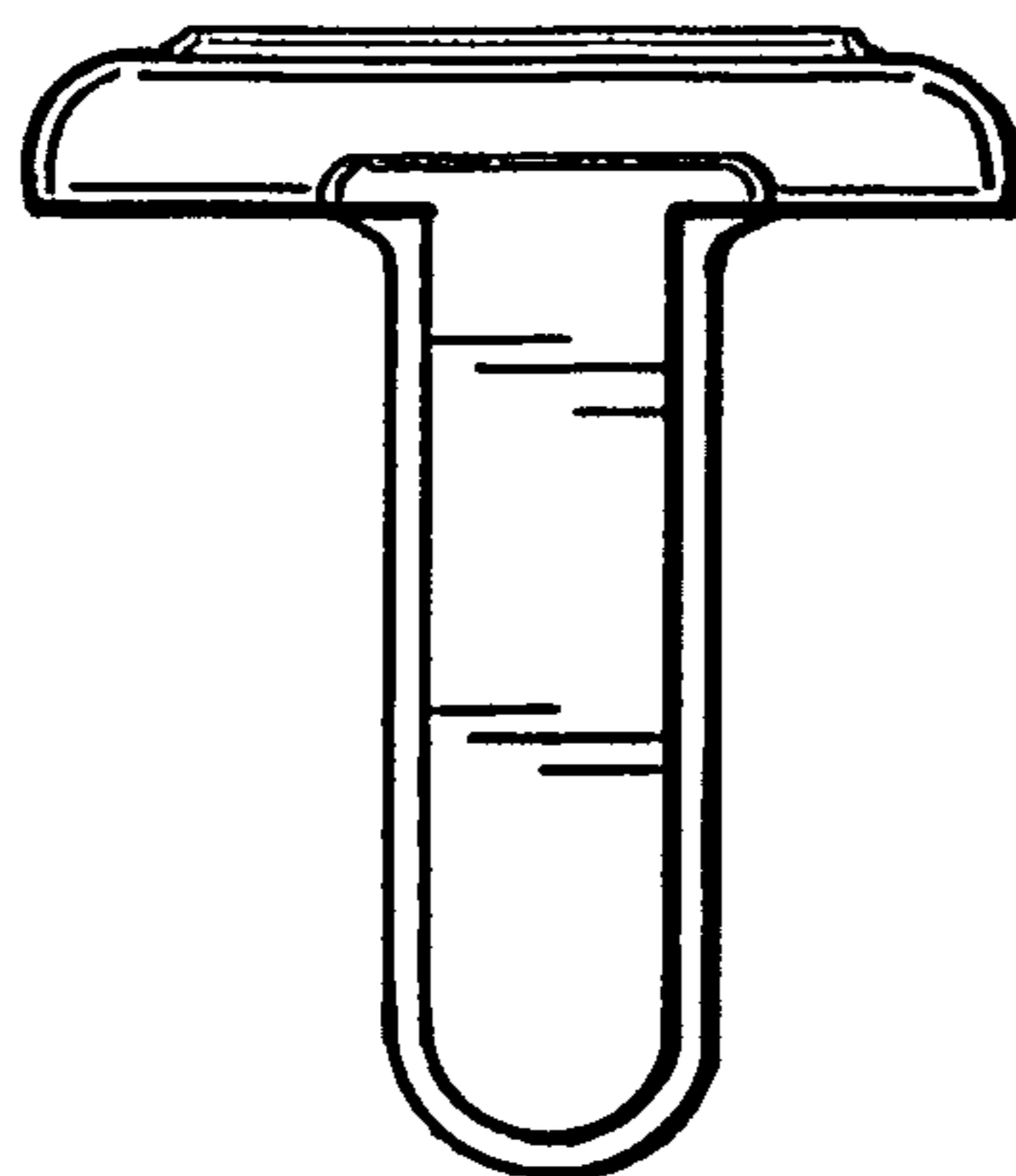


FIG. 1

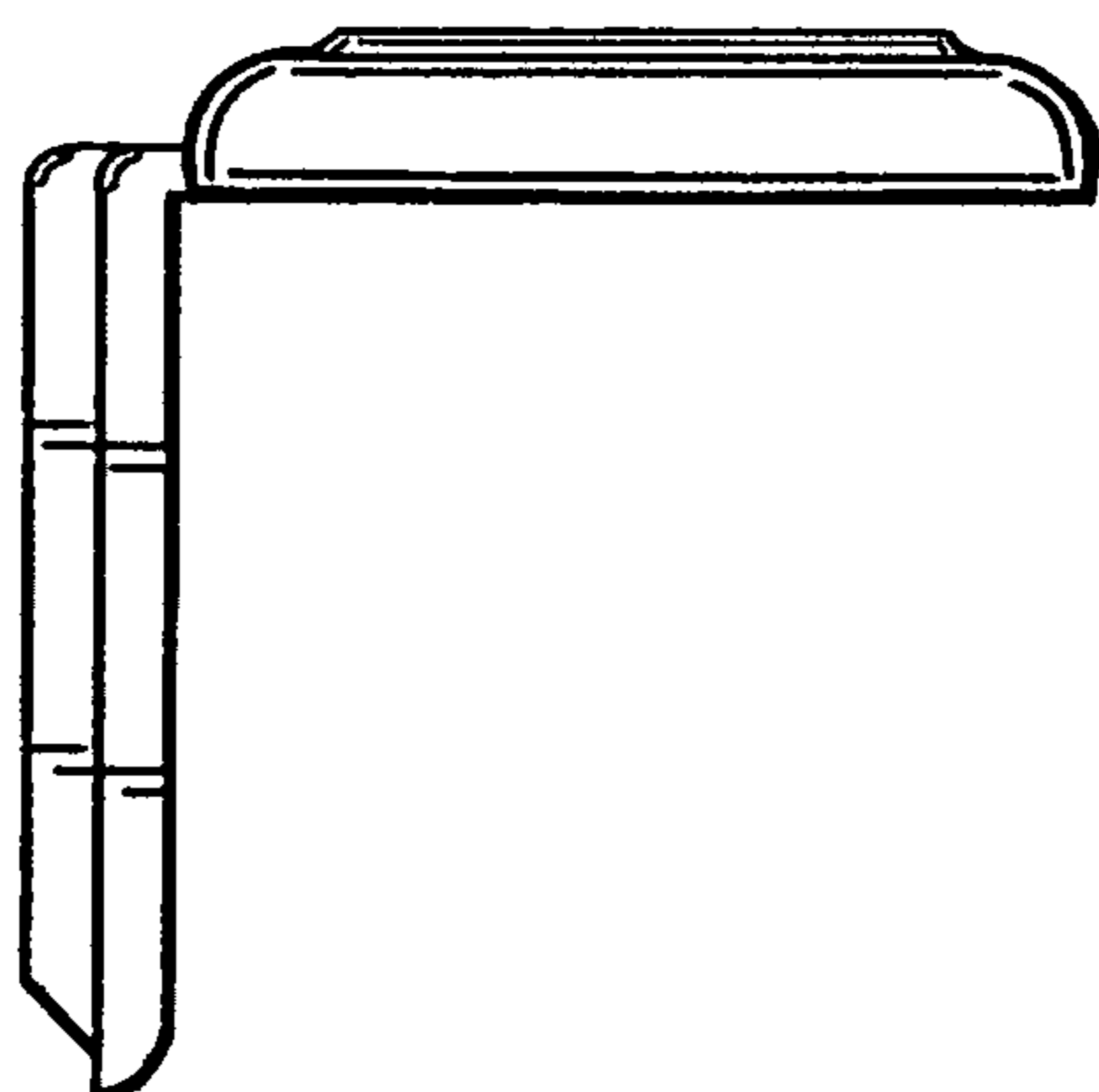


FIG. 2

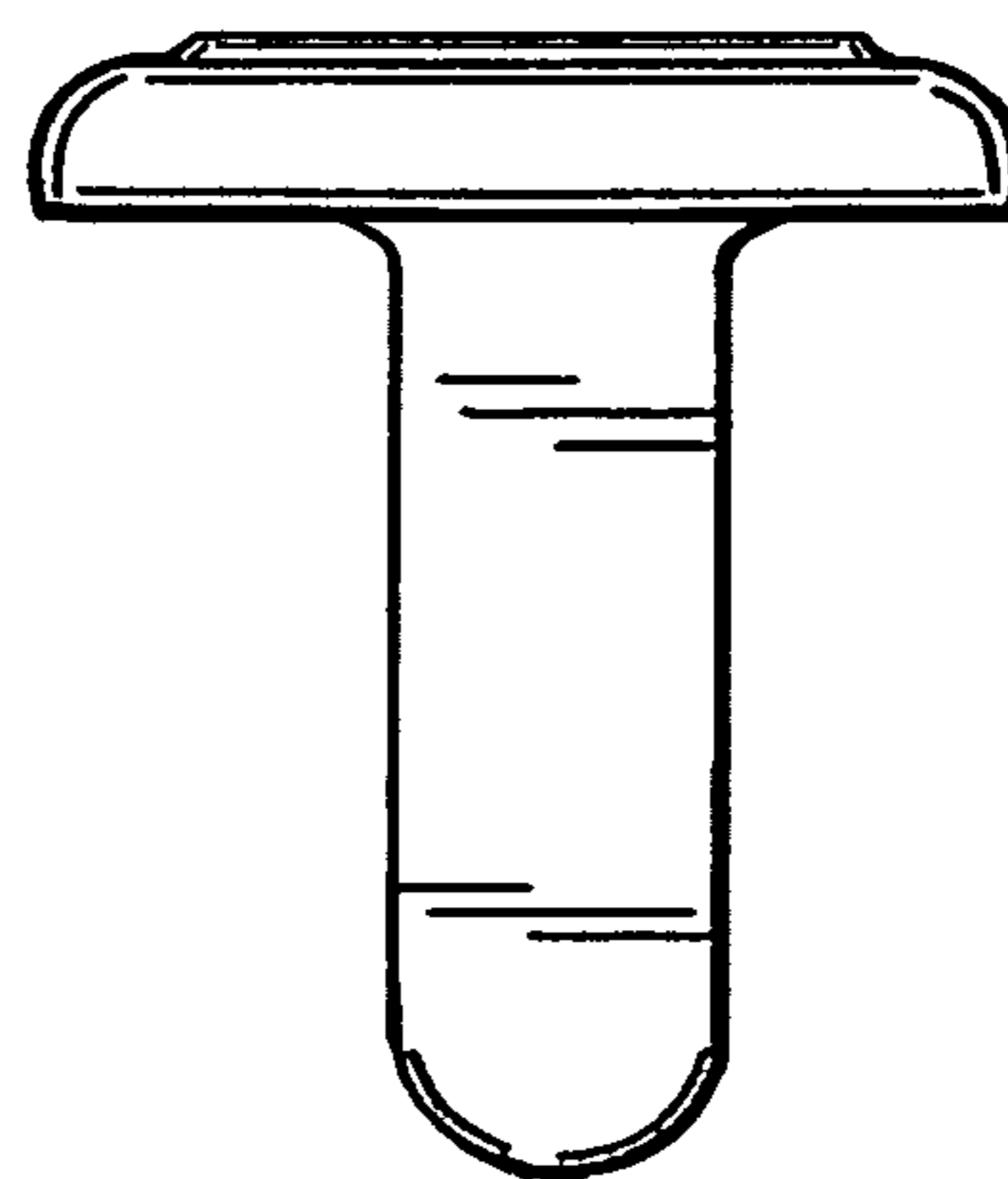


FIG. 3

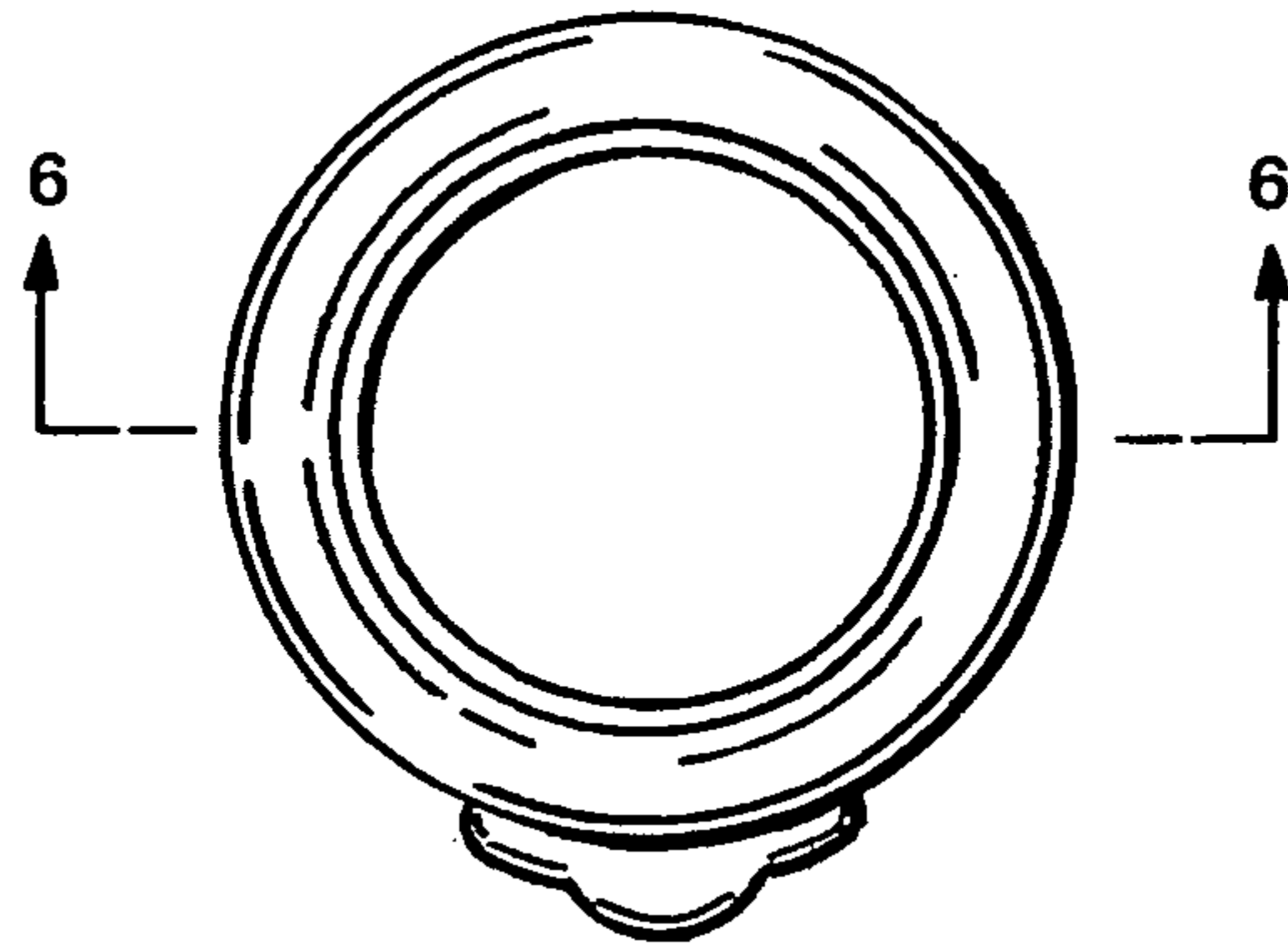


FIG.4

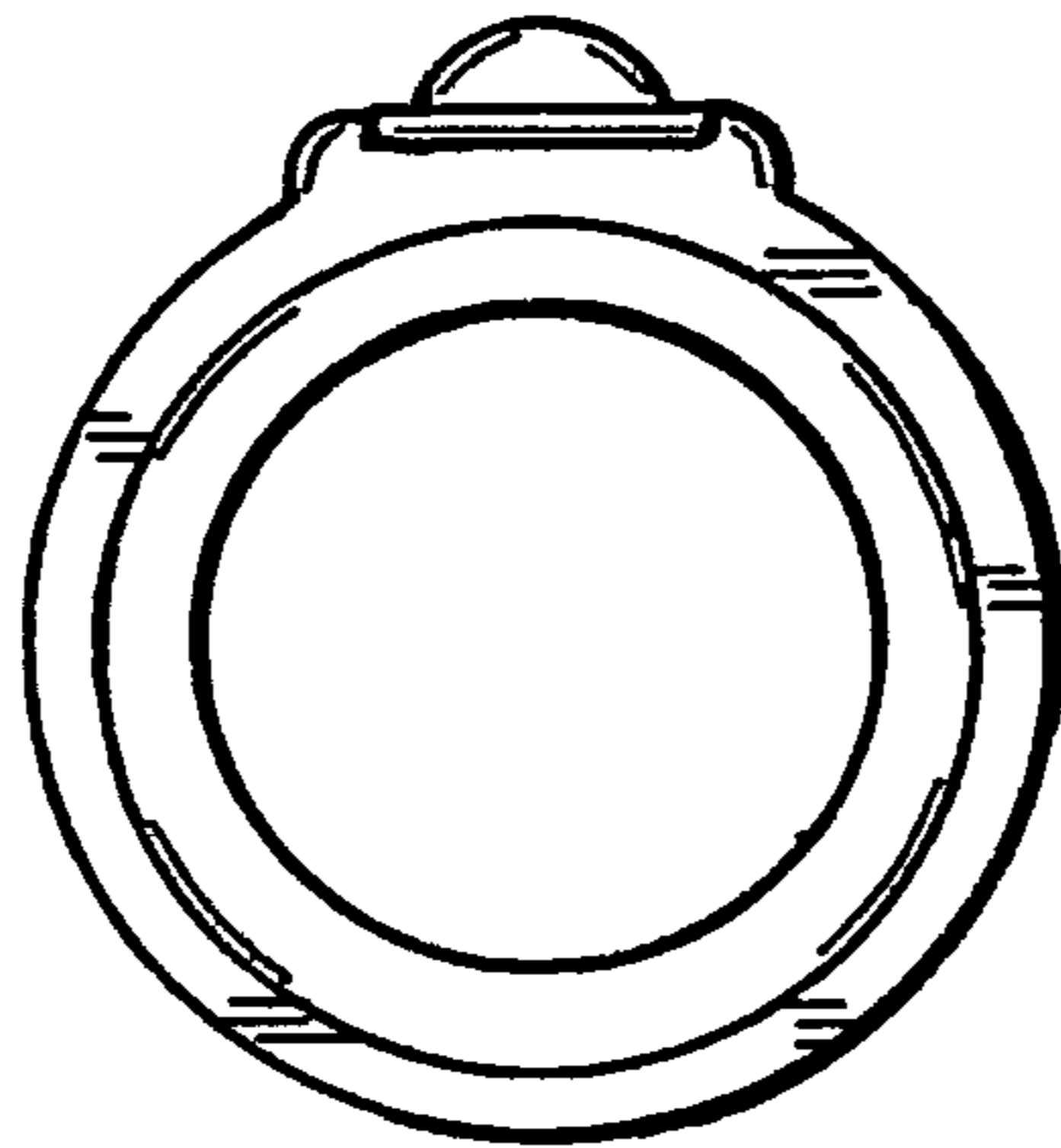


FIG.5

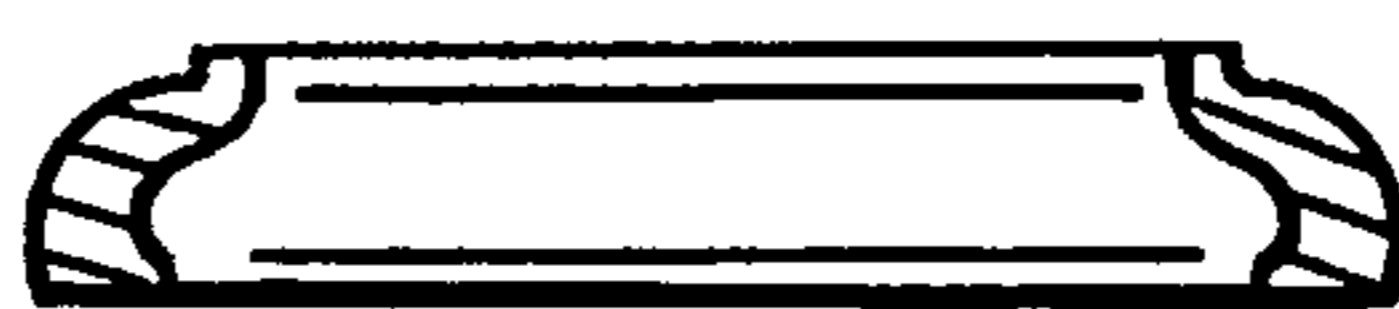


FIG.6