



US00D720516S

(12) **United States Design Patent**
Hatherell

(10) **Patent No.:** **US D720,516 S**

(45) **Date of Patent:** **** *Jan. 6, 2015**

(54) **BEVERAGE CARBONATION TABLET**

(71) Applicant: **Bonne O Inc.**, Toronto (CA)

(72) Inventor: **Darren Hatherell**, Toronto (CA)

(73) Assignee: **Bonne O Inc.**, Toronto, Ontario (CA)

(*) Notice: This patent is subject to a terminal disclaimer.

(**) Term: **14 Years**

(21) Appl. No.: **29/484,536**

(22) Filed: **Mar. 11, 2014**

(51) **LOC (10) Cl.** **01-01**

(52) **U.S. Cl.**
USPC **D1/130**

(58) **Field of Classification Search**
CPC A23G 3/54; A23G 3/563; B65D 77/02;
B65D 75/38; B65D 85/60; A21C 11/12
USPC D1/100-130, 199; 426/5, 76, 87, 92,
426/94, 95, 99, 101, 103, 108, 138-139,
426/143, 144, 279, 282, 283, 391, 514, 549,
426/660; D13/100; D24/101, 104; D28/8.1;
424/467

See application file for complete search history.

(56) **References Cited**

U.S. PATENT DOCUMENTS

2,851,361 A	9/1958	Diller	
D201,497 S	6/1965	Ninger	
D224,591 S	8/1972	Roberts	
D225,992 S	1/1973	Langauer	
3,723,614 A *	3/1973	Langauer	424/467
D229,049 S	11/1973	Roberts	
4,215,104 A	7/1980	Ullman et al.	
D260,477 S	9/1981	Jones	
D298,061 S	10/1988	Flury et al.	
D440,650 S	4/2001	Hite et al.	

D535,390 S *	1/2007	Stawski et al.	D24/101
D586,397 S	2/2009	Farnworth et al.	
D613,031 S	4/2010	Pawlowski et al.	
D619,240 S	7/2010	Swagler et al.	
D626,214 S	10/2010	Spengler	

(Continued)

FOREIGN PATENT DOCUMENTS

EP	2341008 B1	4/2013
WO	2004072351 A1	8/2004
WO	2009114119 A1	9/2009
WO	2014033705 A2	3/2014

OTHER PUBLICATIONS

Design U.S. Appl. No. 29/469,588.

(Continued)

Primary Examiner — Deanna L Pratt

Assistant Examiner — Katie Mroczka

(74) *Attorney, Agent, or Firm* — Bereskin & Parr LLP/S.E.N.C.R.L., s.r.l.

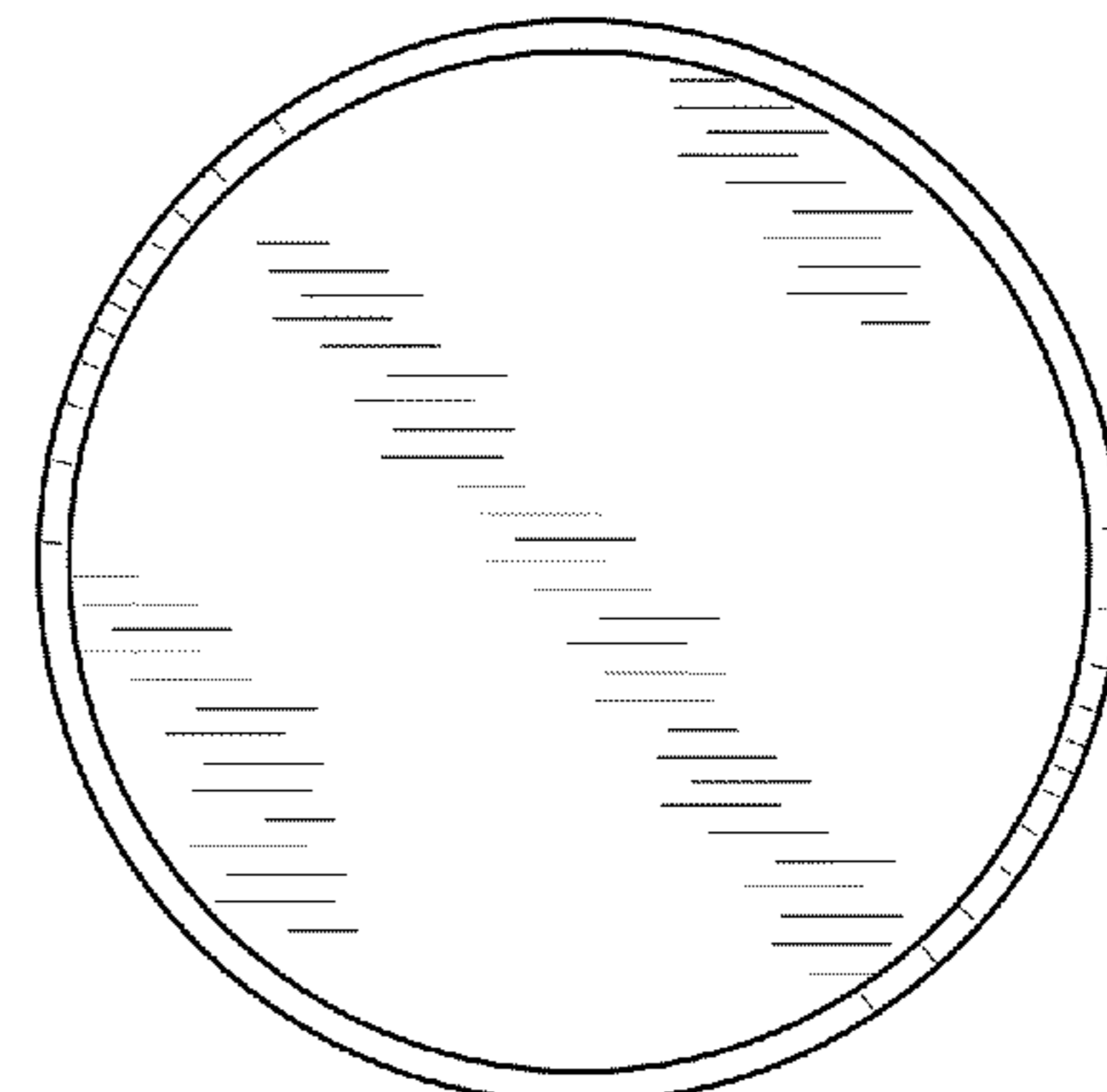
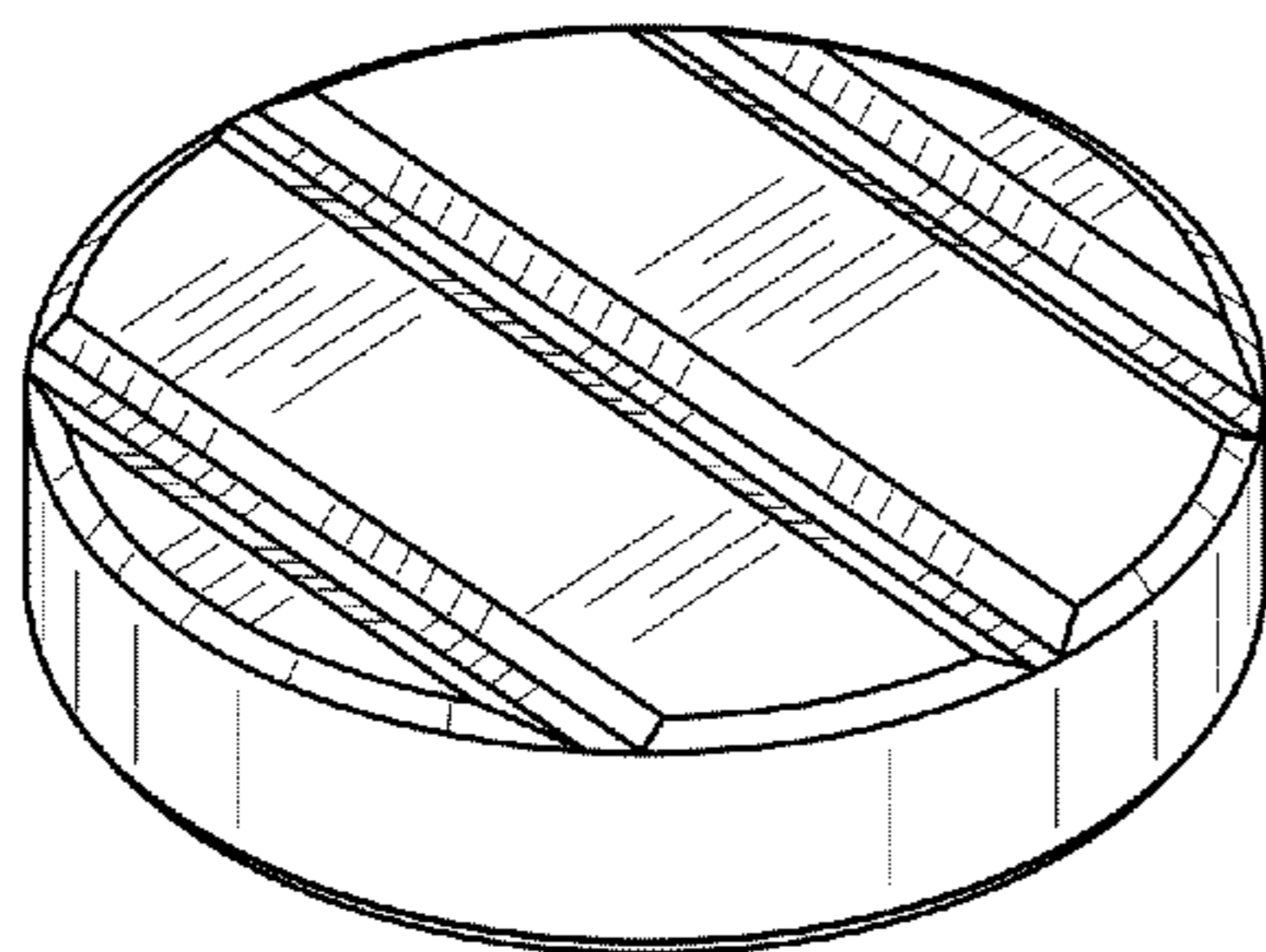
(57) **CLAIM**

The ornamental design for a beverage carbonation tablet, as shown.

DESCRIPTION

FIG. 1 is a perspective view from the top, front and one side of a beverage carbonation tablet showing my new design; FIG. 2 is a side elevation view of the beverage carbonation tablet shown in FIG. 1; FIG. 3 is a front elevation view of the beverage carbonation tablet shown in FIG. 1; FIG. 4 is a top plan view of the beverage carbonation tablet shown in FIG. 1; and, FIG. 5 is a bottom plan view of the beverage carbonation tablet shown in FIG. 1.

1 Claim, 1 Drawing Sheet



(56)

References Cited

U.S. PATENT DOCUMENTS

D641,863 S 7/2011 Spengler
D641,864 S 7/2011 Spengler
D672,029 S 12/2012 Inoue
2004/0245279 A1 12/2004 Bradley et al.
2010/0034889 A1 2/2010 Rau et al.
2011/0226343 A1 9/2011 Novak et al.

2011/0244040 A1 10/2011 Ono et al.
2012/0082769 A1 4/2012 Singh
2014/0070431 A1 3/2014 Hatherell

OTHER PUBLICATIONS

Notice of Allowance; Design U.S. Appl. No. 29/469,588; mailed Apr. 10, 2014.

* cited by examiner

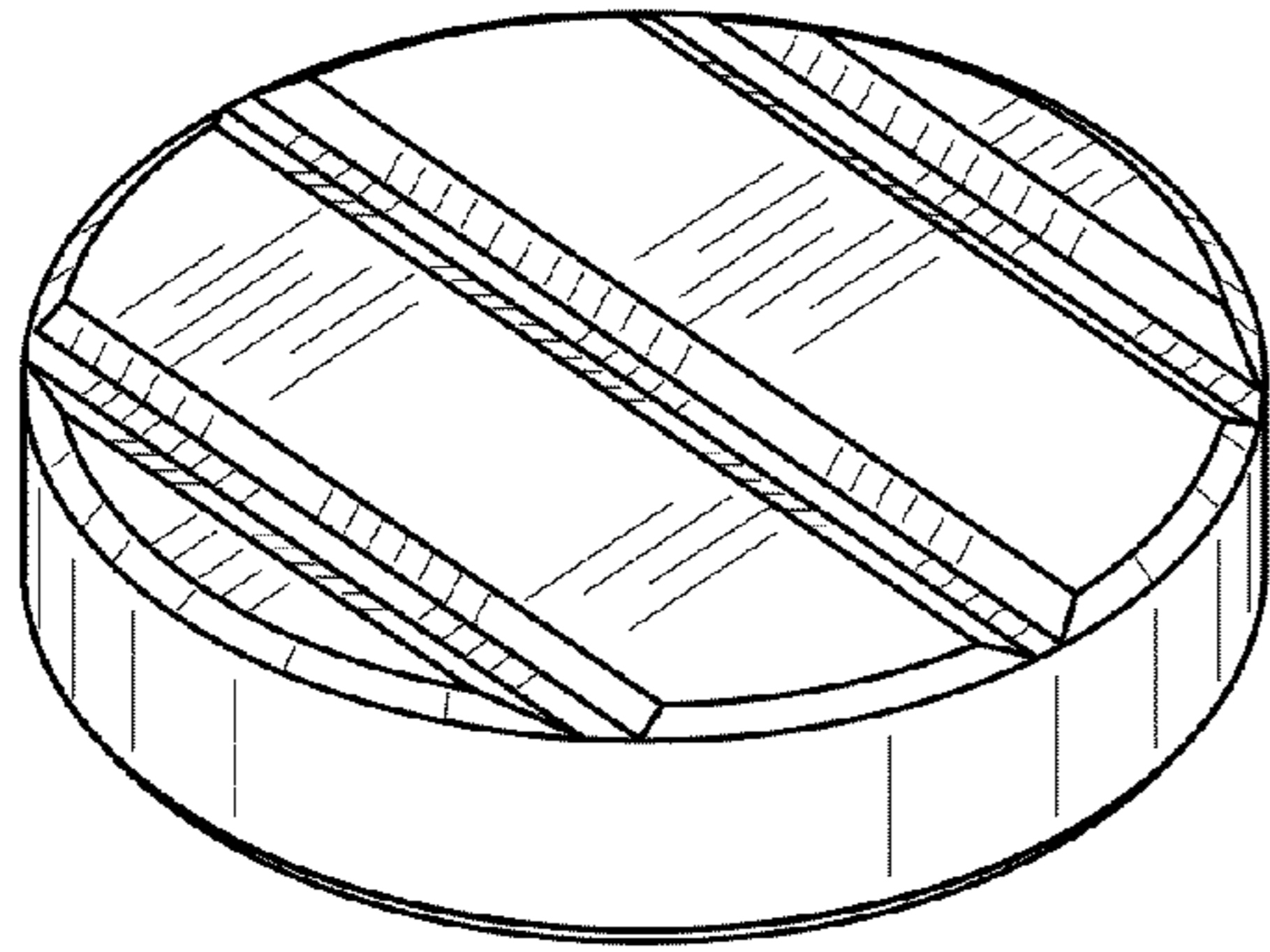


FIG. 1

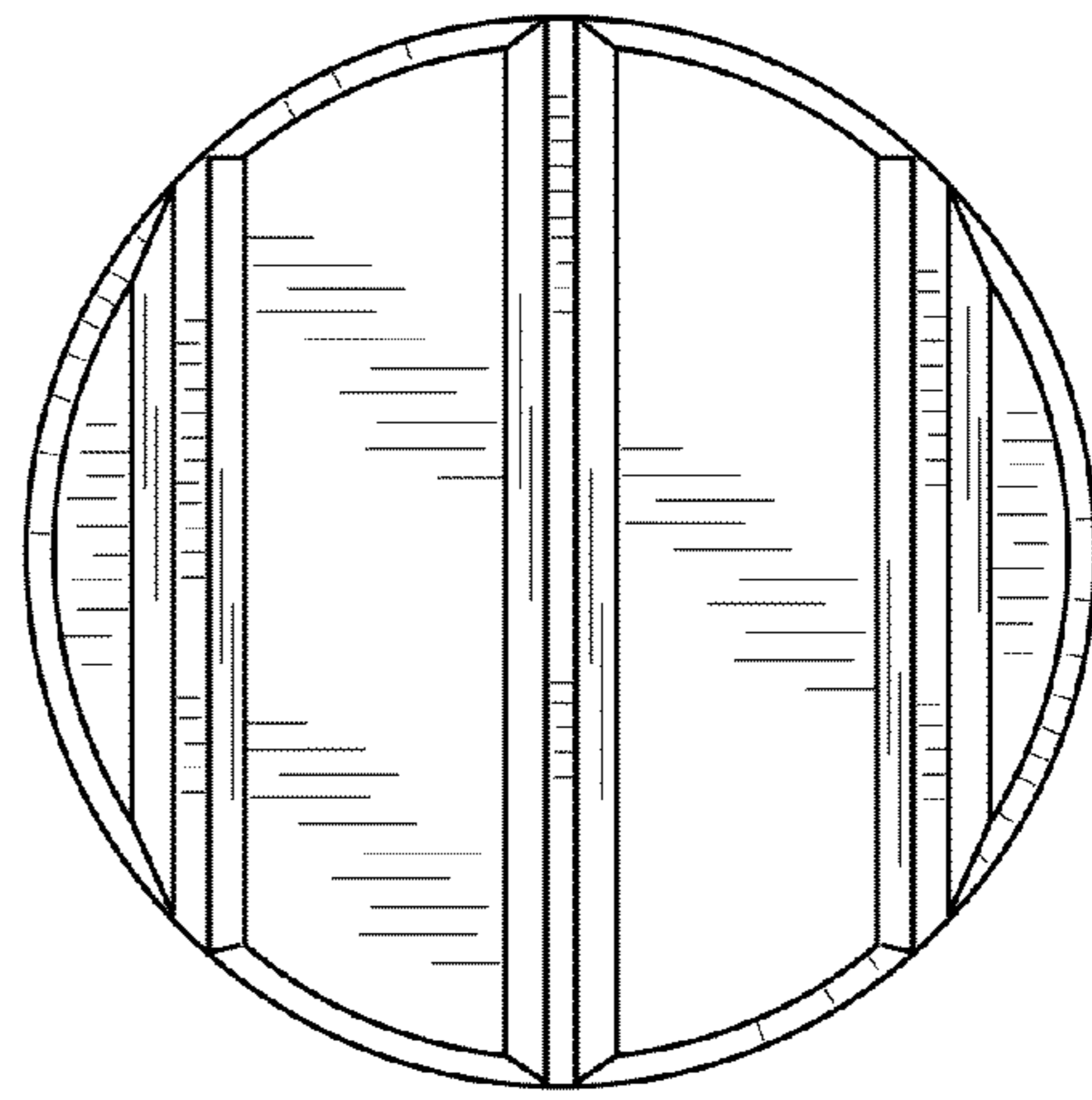


FIG. 4

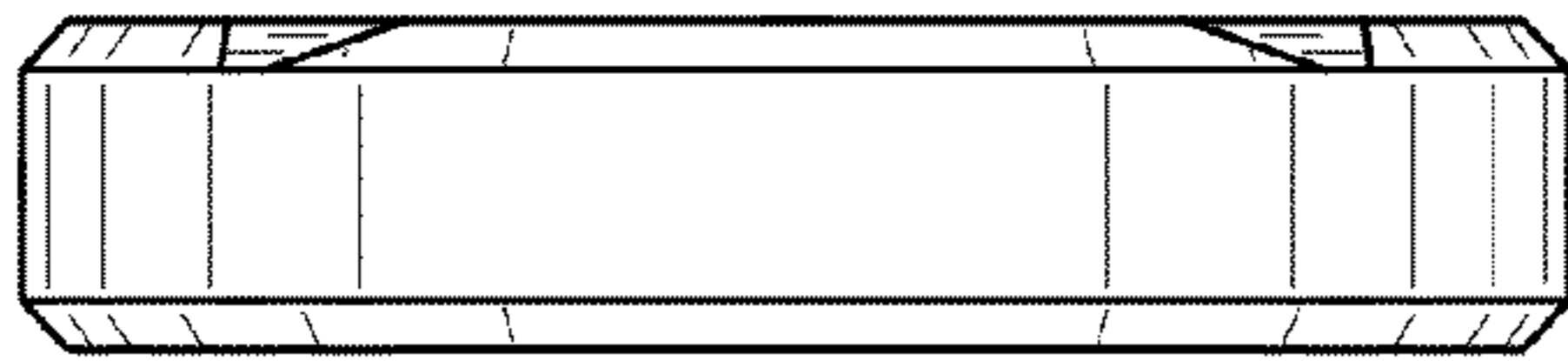


FIG. 2

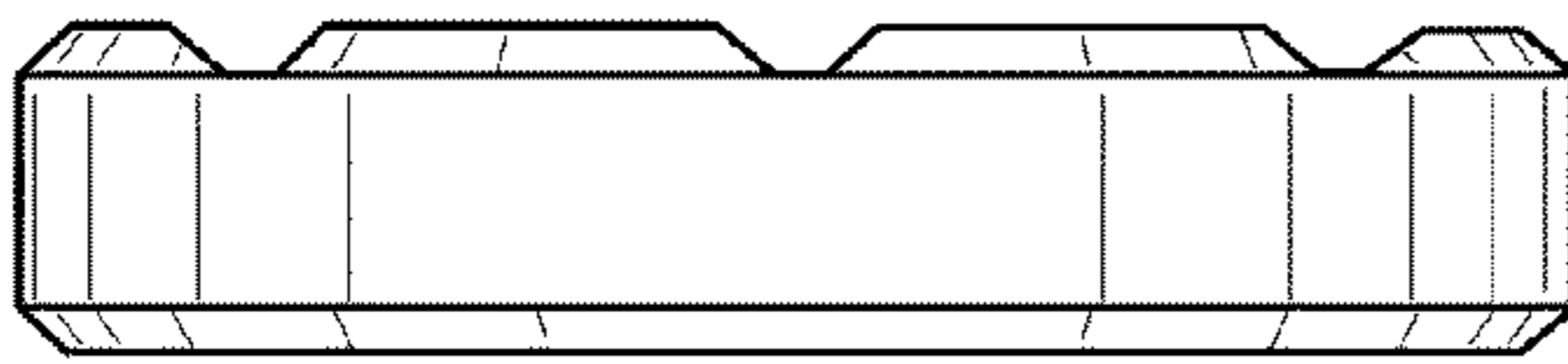


FIG. 3

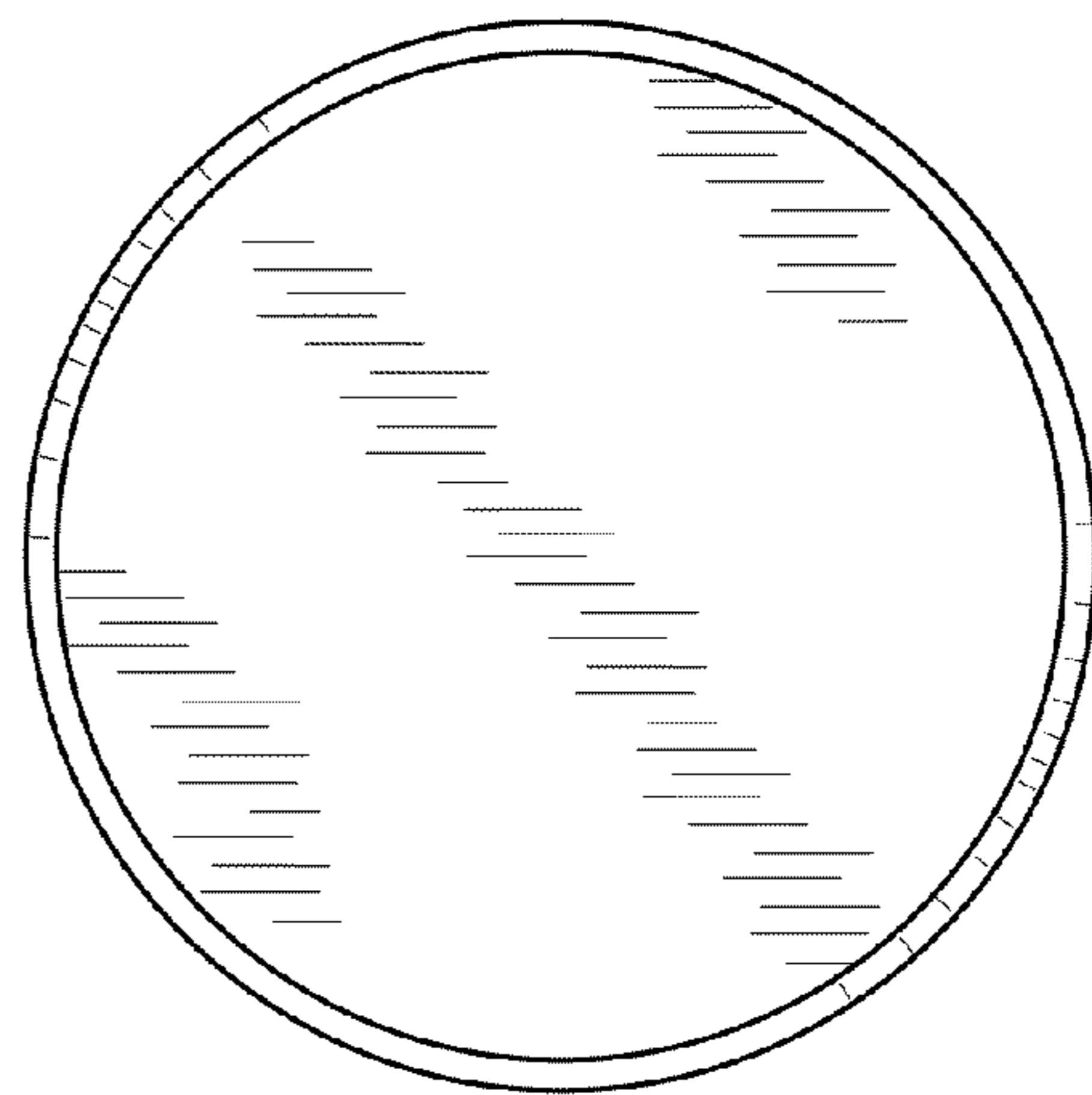


FIG. 5