



US00D720515S

(12) **United States Design Patent**  
**Warner et al.**

(10) **Patent No.:** **US D720,515 S**  
(45) **Date of Patent:** **\*\* Dec. 30, 2014**

(54) **CONTOURED BACKREST WITH INTEGRATED CONTROL MODULE SUPPORT**

(71) Applicants: **Brian M. Warner**, Oxford, NY (US);  
**Gregory W. Smiley**, Greene, NY (US);  
**Thomas W. Confer**, Chenango Forks, NY (US)

(72) Inventors: **Brian M. Warner**, Oxford, NY (US);  
**Gregory W. Smiley**, Greene, NY (US);  
**Thomas W. Confer**, Chenango Forks, NY (US)

(73) Assignee: **The Raymond Corporation**, Greene, NY (US)

(\*\*) Term: **14 Years**

(21) Appl. No.: **29/449,054**

(22) Filed: **Mar. 14, 2013**

(51) **LOC (10) Cl.** ..... **12-05**

(52) **U.S. Cl.**  
USPC ..... **D34/35**

(58) **Field of Classification Search**  
USPC ..... D34/34, 35; 187/222, 224; 180/273, 90,  
180/313, 89.11, 89.12, 89.13, 89.19, 900,  
180/315, 316, 326, 333, 334, 320, 336;  
D15/28; D6/500

See application file for complete search history.

(56) **References Cited**

**U.S. PATENT DOCUMENTS**

4,287,966	A	9/1981	Frees	
4,347,416	A	8/1982	Ogden	
5,430,266	A	7/1995	Austin, Jr. et al.	
D384,478	S	9/1997	Prehn et al.	
6,189,964	B1	2/2001	Henshaw et al.	
6,226,582	B1	5/2001	Adsett et al.	
D445,553	S	7/2001	Pulskamp et al.	
D450,169	S	11/2001	Pulskamp et al.	
6,382,359	B1	5/2002	Lohmann	
D525,409	S *	7/2006	Cantrill et al.	D34/35
7,146,701	B2	12/2006	Mahoney et al.	

7,151,237	B2	12/2006	Mahoney et al.	
D555,676	S *	11/2007	Haubrich et al.	D15/28
7,314,116	B2	1/2008	David et al.	
D562,525	S	2/2008	Graf et al.	
D563,074	S	2/2008	Standke	
7,383,915	B2	6/2008	David et al.	
7,641,020	B2	1/2010	Lohmann	
7,793,979	B2	9/2010	Kraimer et al.	
D640,293	S *	6/2011	Ono et al.	D15/28
D653,882	S *	2/2012	Ryan et al.	D6/500
8,193,903	B2	6/2012	Kraimer et al.	
D679,884	S *	4/2013	Heijns	D34/35
D685,007	S *	6/2013	Tanaka et al.	D15/28
D685,397	S *	7/2013	Anderson et al.	D15/28
2009/0200116	A1	8/2009	Wiggins et al.	

**OTHER PUBLICATIONS**

The Raymond Corporation, PowerSteer Brochure, 2010, 2 pages.  
BT Raymond, Inc., Drawing No. 1066671, Control Handle, 2 pages.  
The Raymond Corporation, Center Rider Pallet Truck Model 8510 Brochure, 2012, 2 pages.

\* cited by examiner

*Primary Examiner* — Cynthia Ramirez

(74) *Attorney, Agent, or Firm* — Quarles & Brady LLC

(57) **CLAIM**

The ornamental design for a contoured backrest with integrated control module support, as shown and described.

**DESCRIPTION**

FIG. 1 is a front isometric view of a contoured backrest with integrated control module support embodying our new design;

FIG. 2 is a rear isometric view thereof;

FIG. 3 is a front elevation view thereof;

FIG. 4 is a rear elevation view thereof;

FIG. 5 is a top plan view thereof;

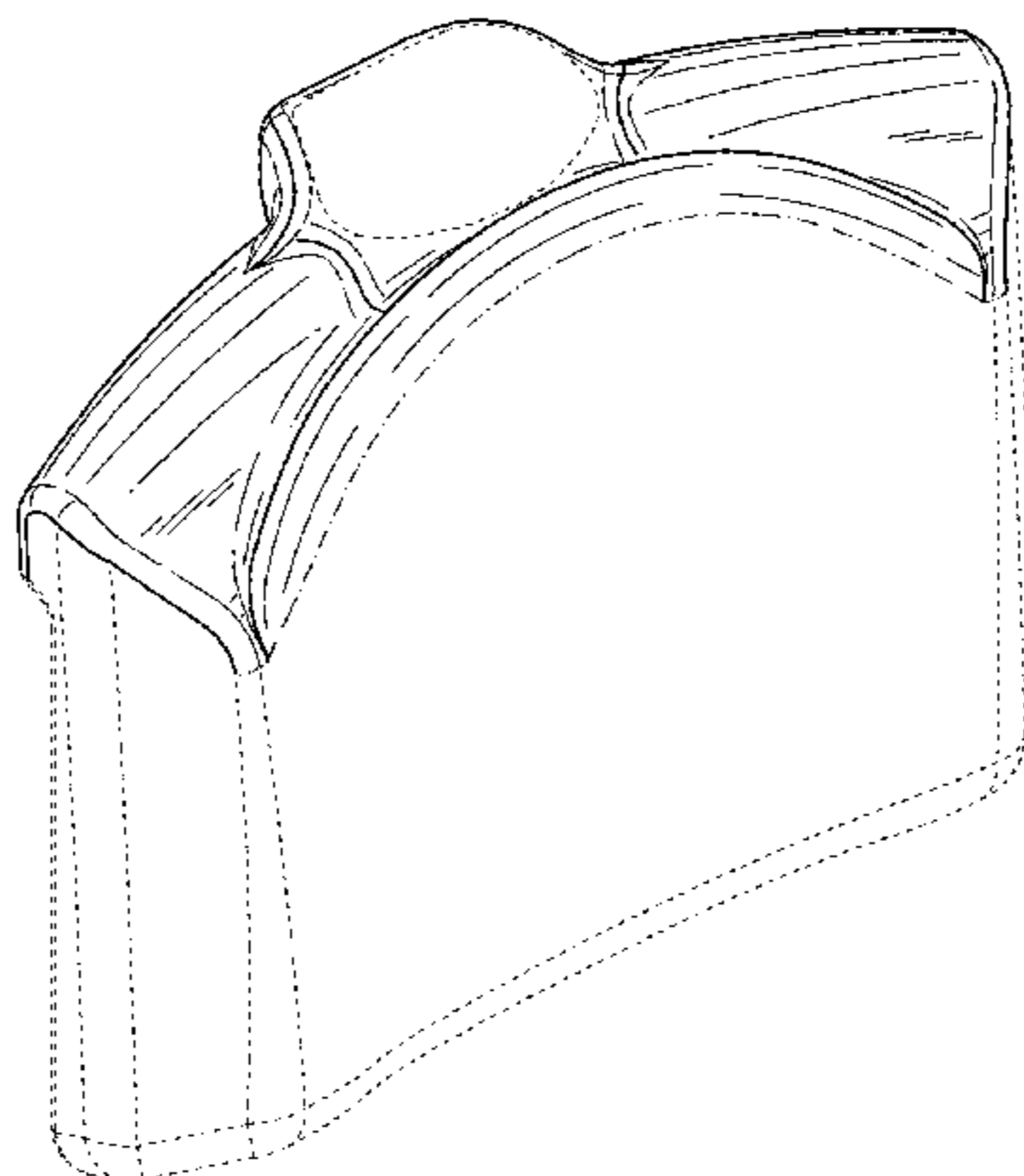
FIG. 6 is a bottom plan view thereof;

FIG. 7 is a left side elevation view thereof; and,

FIG. 8 is a right side elevation view thereof.

The dash-dash broken line representations in the figures are for the purpose of illustrating unclaimed environment of the claimed design. The dot-dash-dot broken line representations define unclaimed boundaries of the claimed design.

**1 Claim, 6 Drawing Sheets**



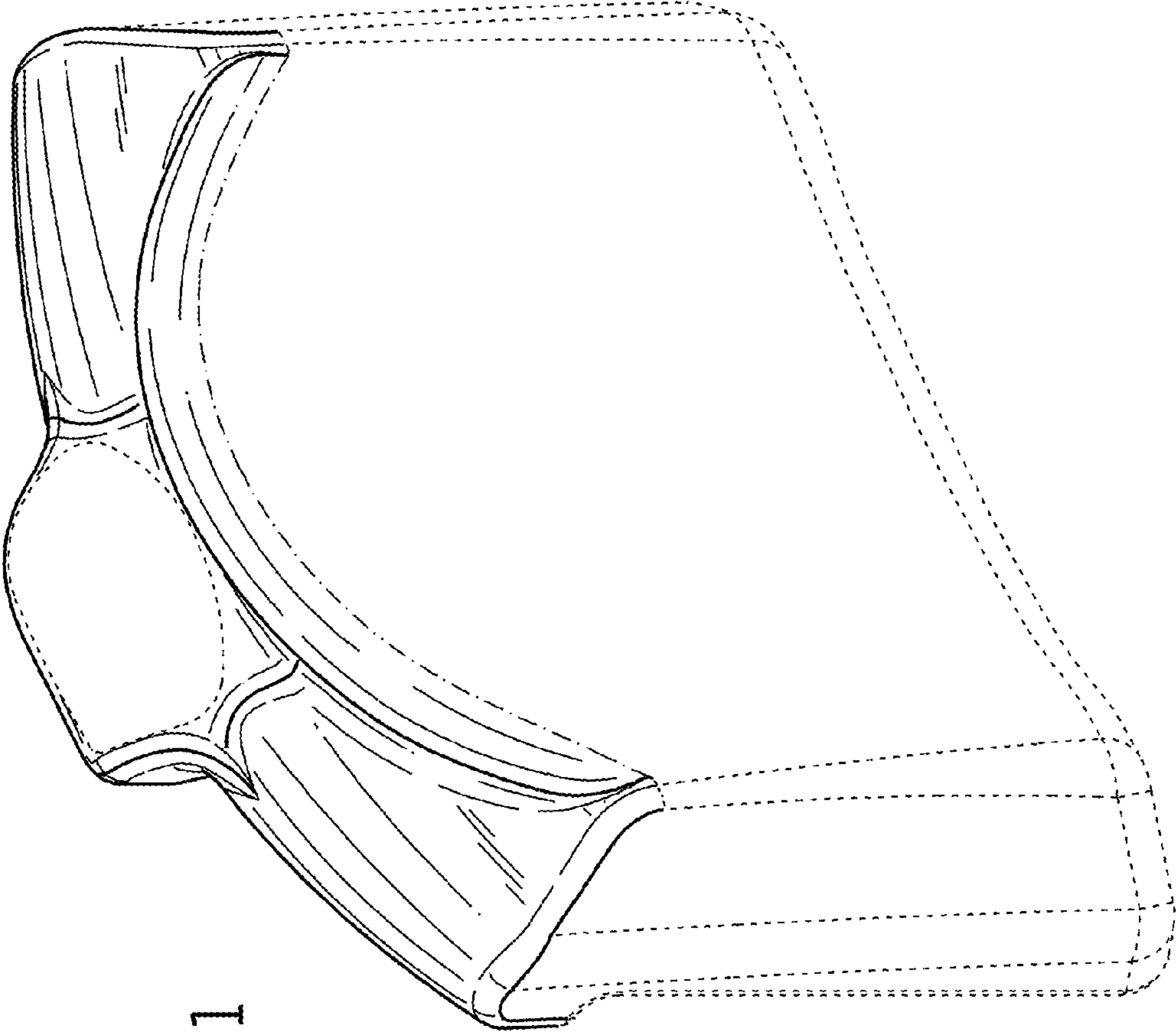


FIG. 1

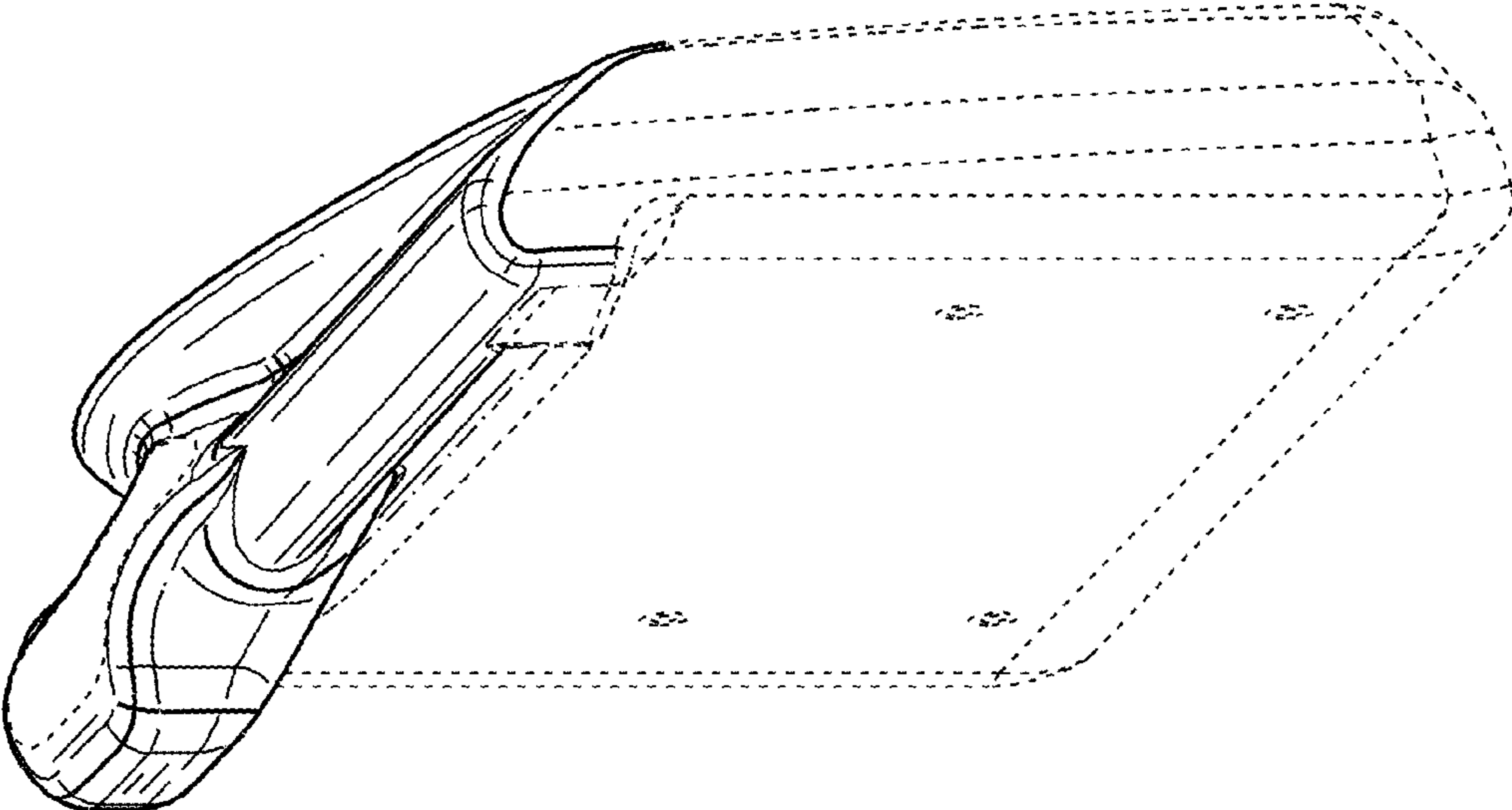


FIG. 2

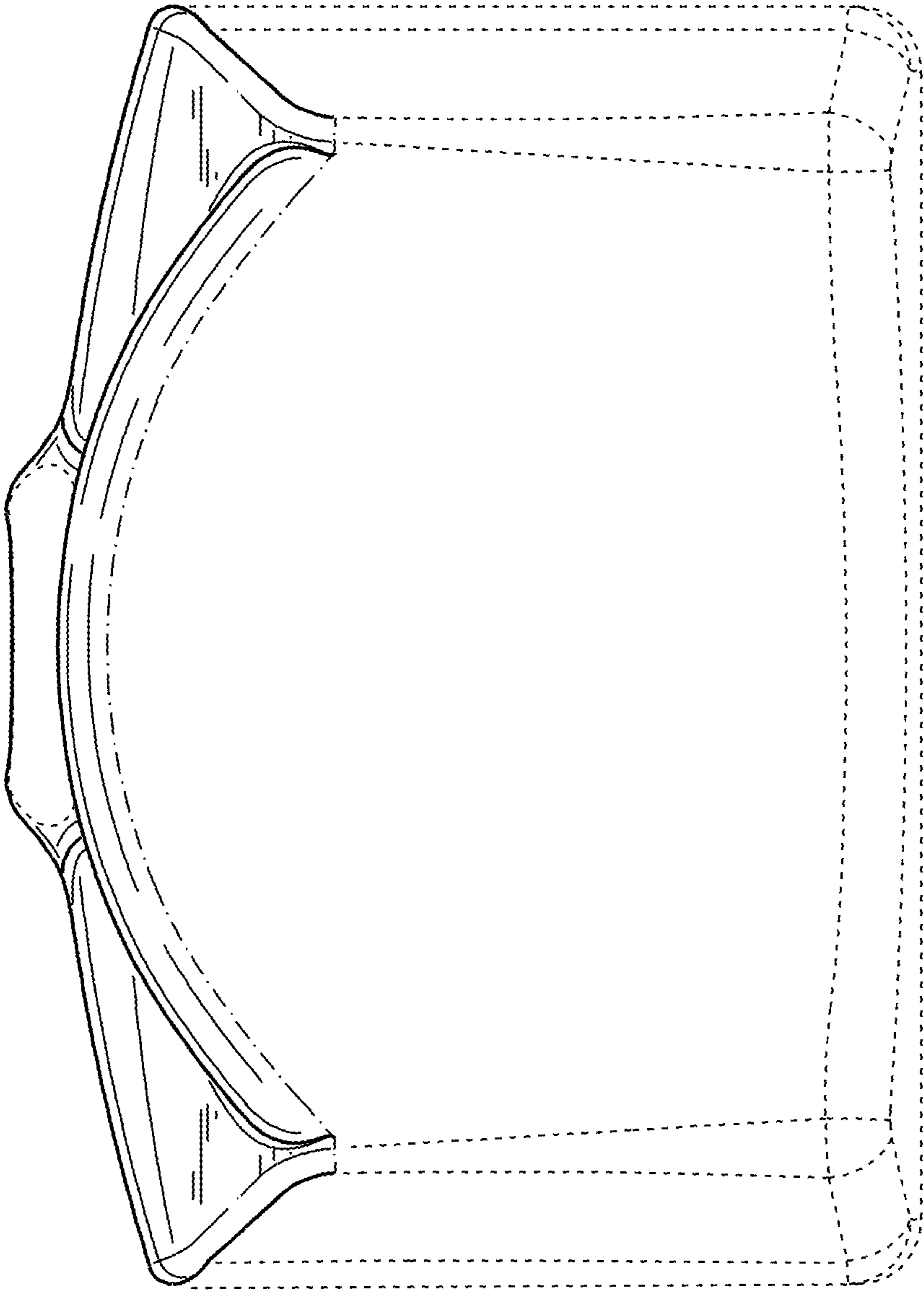


FIG. 3

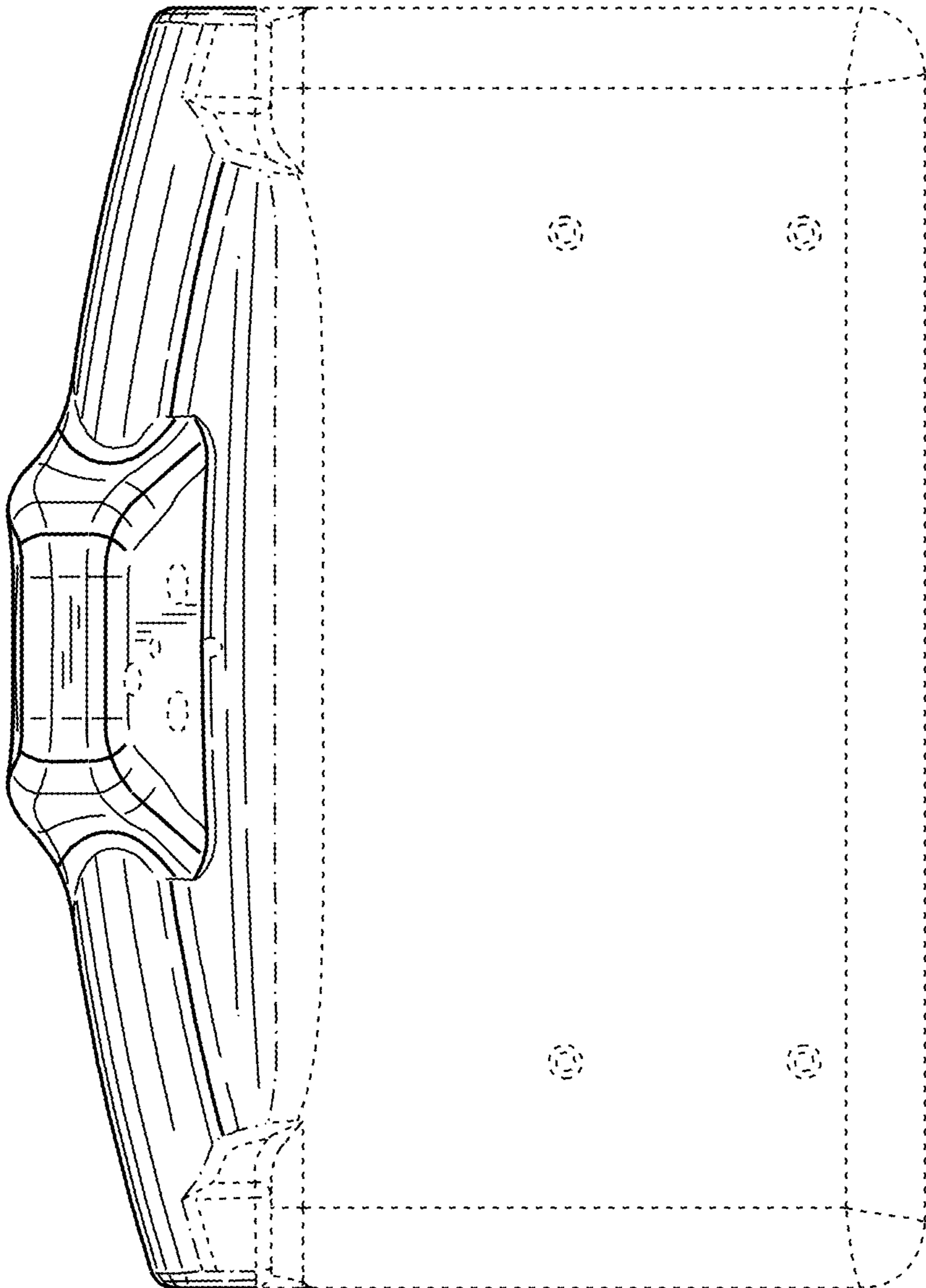


FIG. 4

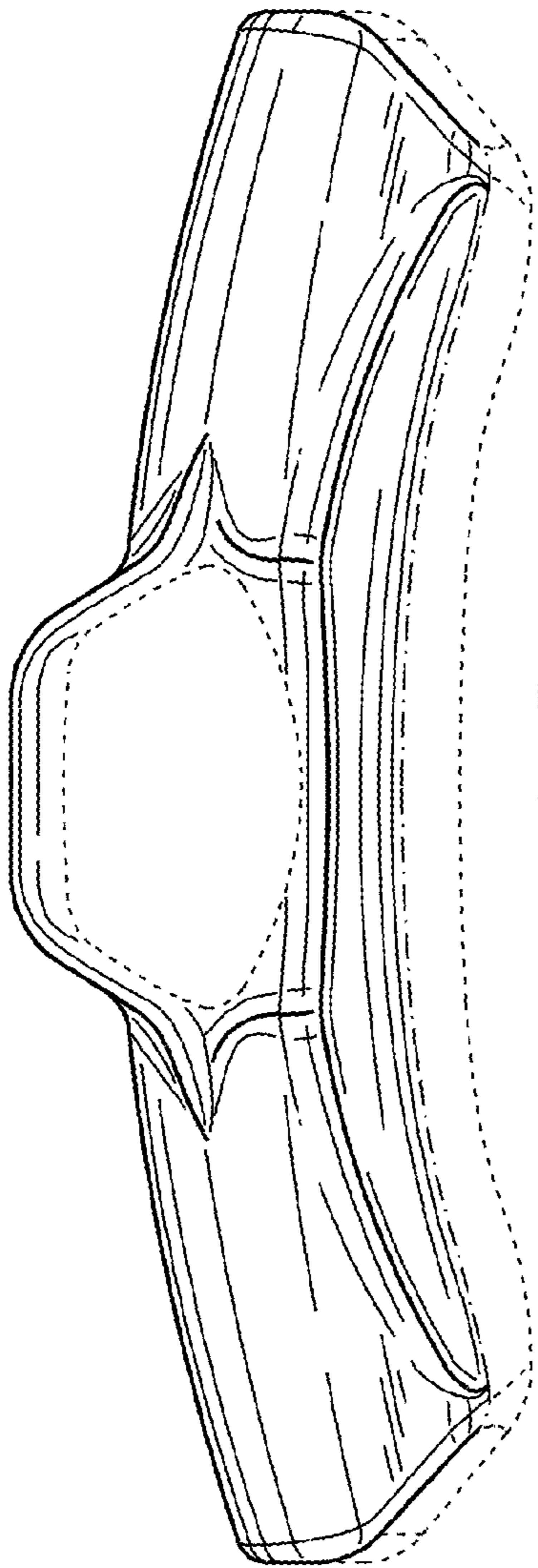


FIG. 5

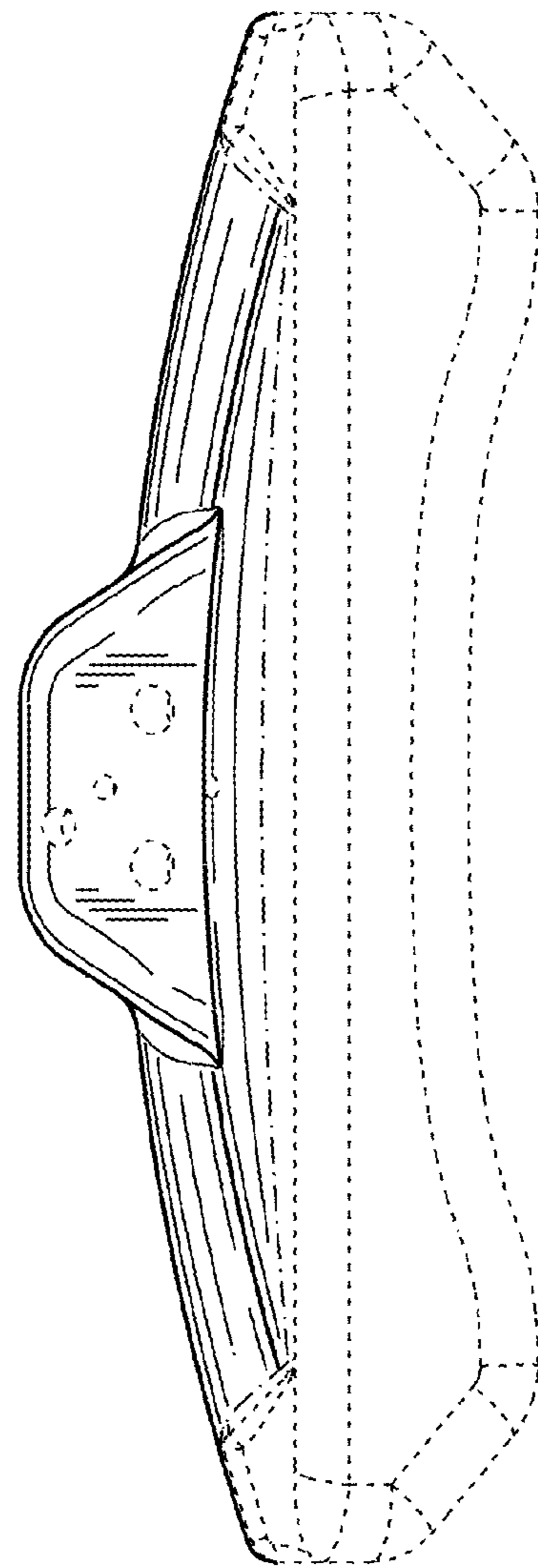


FIG. 6

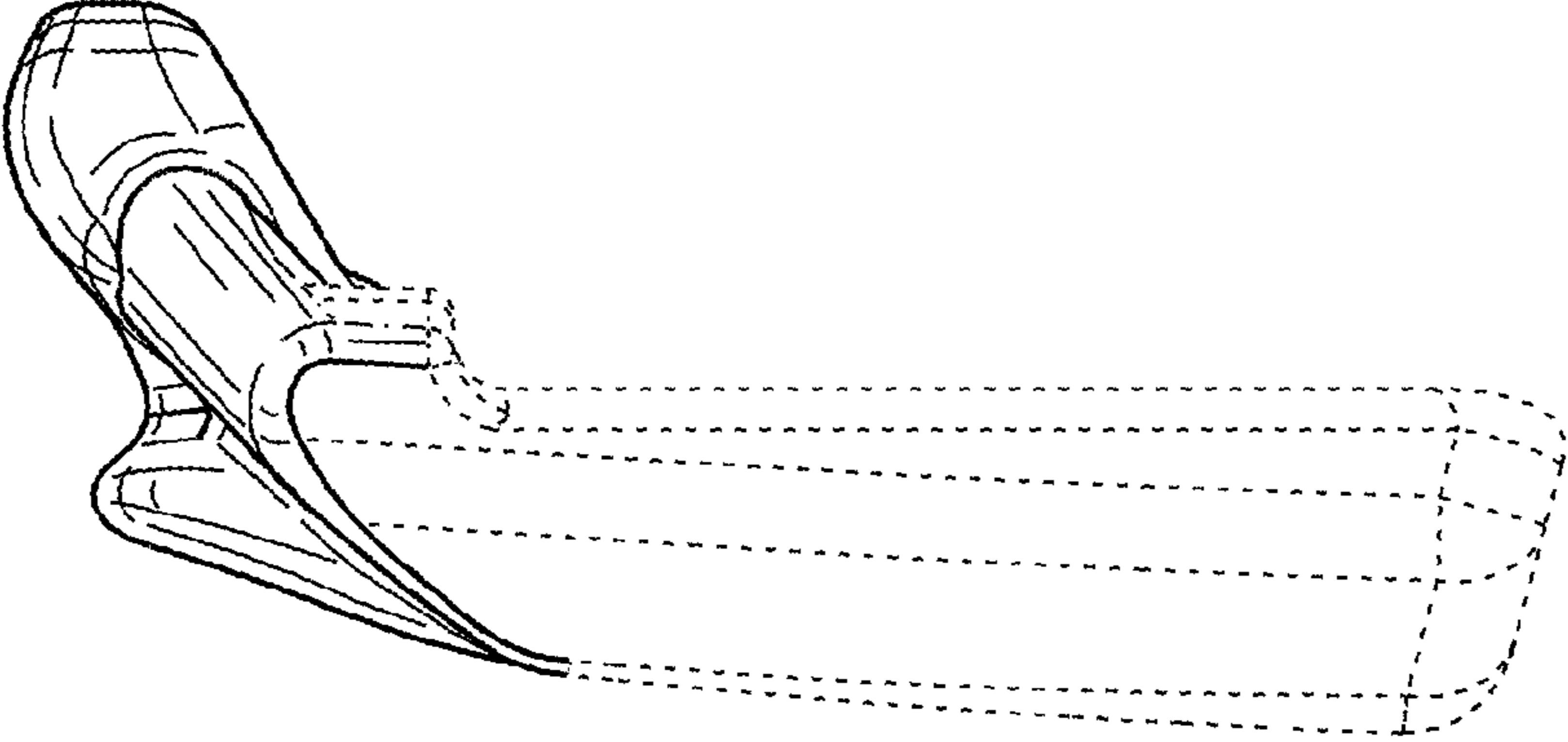


FIG. 8

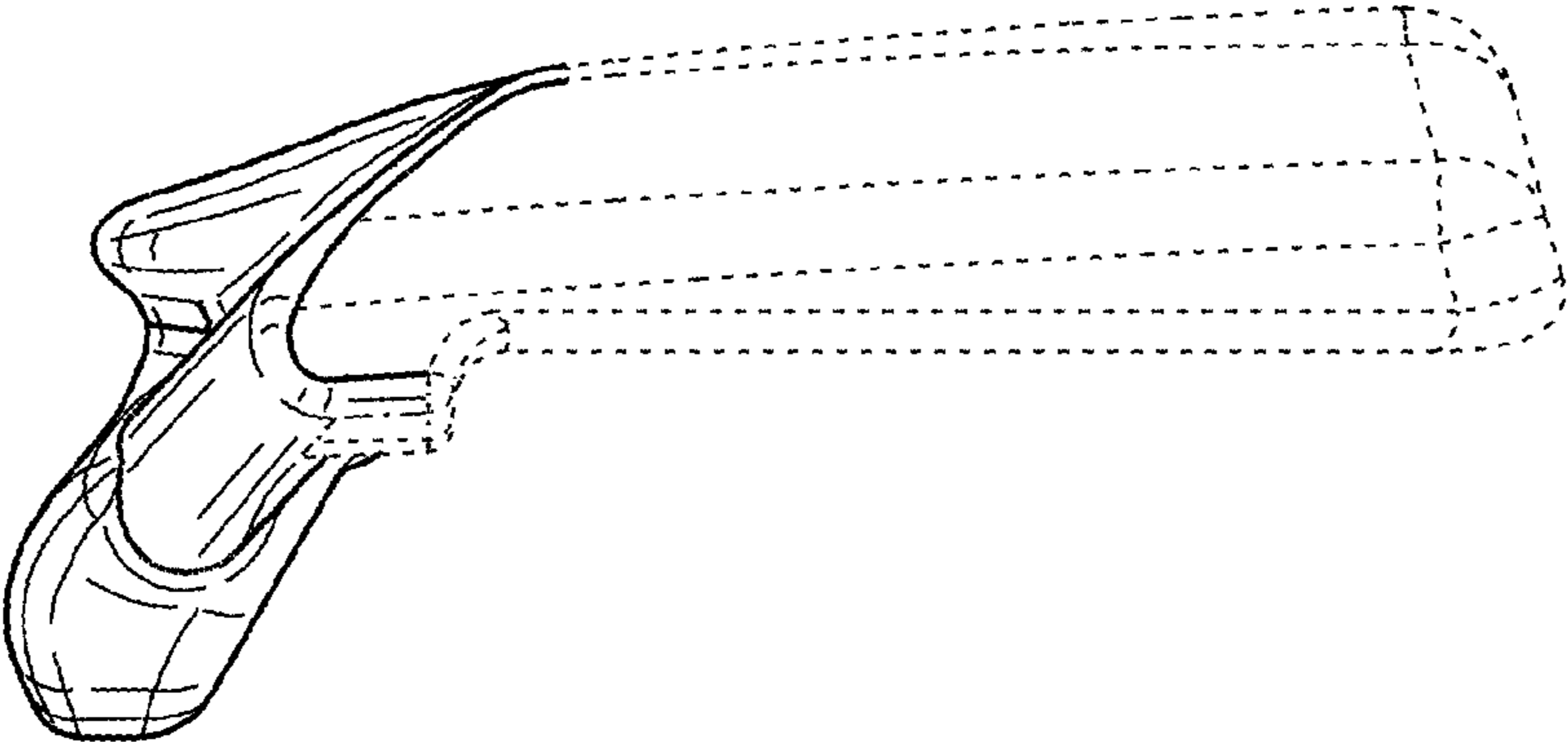


FIG. 7