



US00D720513S

(12) **United States Design Patent**
Yang et al.

(10) **Patent No.:** **US D720,513 S**

(45) **Date of Patent:** **** Dec. 30, 2014**

(54) **OPEN TRASH CAN**

(71) Applicant: **Simplehuman LLC**, Torrance, CA (US)

(72) Inventors: **Frank Yang**, Rancho Palos Verdes, CA (US); **Di-Fong Chang**, Torrance, CA (US); **Myk Lum**, Irvine, CA (US); **Adam Wade**, Rancho Santa Margarita, CA (US); **Po-Ling Huang**, Brussels (BE)

(73) Assignee: **Simplehuman LLC**, Torrance, CA (US)

(**) Term: **14 Years**

(21) Appl. No.: **29/464,989**

(22) Filed: **Aug. 22, 2013**

(51) **LOC (10) Cl.** **09-09**

(52) **U.S. Cl.**
USPC **D34/1**

(58) **Field of Classification Search**
USPC D34/1-11; 220/908, 908.1, 911, 912, 220/913, 909
See application file for complete search history.

(56) **References Cited**

U.S. PATENT DOCUMENTS

3,793,756 A * 2/1974 Kay et al. 40/306
3,803,738 A * 4/1974 Weiss 40/306

D234,288 S * 2/1975 Kay et al. D34/1
D247,605 S * 3/1978 Miller D34/1
D261,218 S * 10/1981 Gilbert D34/1
D398,428 S * 9/1998 Chipman D34/1
D420,479 S * 2/2000 Delmerico D34/1
D450,166 S * 11/2001 Skalka D34/1
D457,703 S * 5/2002 Tolar D34/7
6,401,951 B1 * 6/2002 Gould 220/4.04
D476,456 S * 6/2003 Englert et al. D34/7
D480,856 S * 10/2003 Hardy et al. D34/7
D483,166 S * 12/2003 Lin D34/7

* cited by examiner

Primary Examiner — Cynthia Ramirez

(74) *Attorney, Agent, or Firm* — Liu & Liu

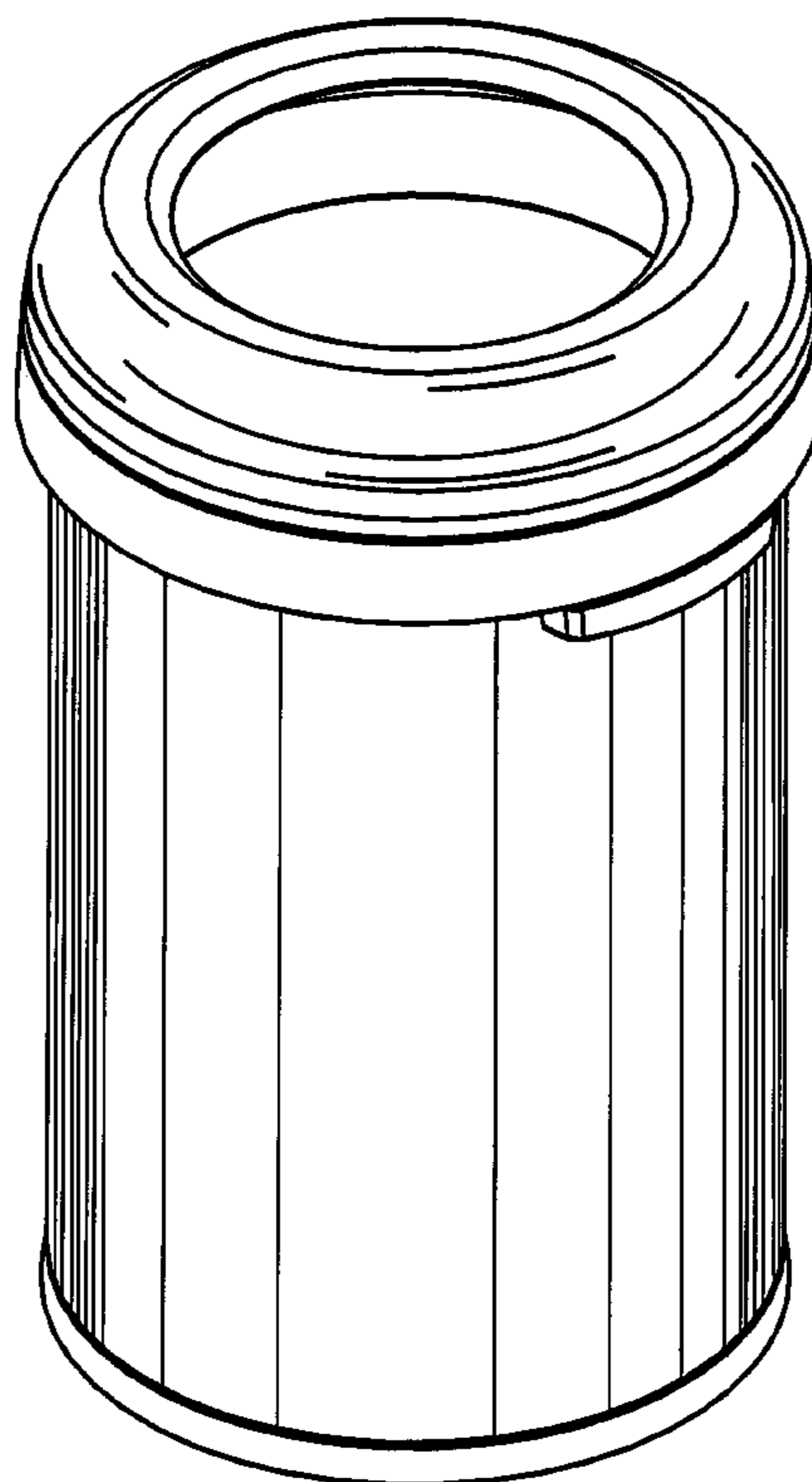
(57) **CLAIM**

The ornamental design for an open trash can, as shown and described.

DESCRIPTION

FIG. 1 is a front isometric view of the open trash can showing the new design;
FIG. 2 is a front view thereof (the rear view is a mirror image thereof);
FIG. 3 is a right side view thereof (the left side view is a mirror image thereof);
FIG. 4 is a top plan view thereof; and,
FIG. 5 is a bottom plan view thereof.

1 Claim, 5 Drawing Sheets



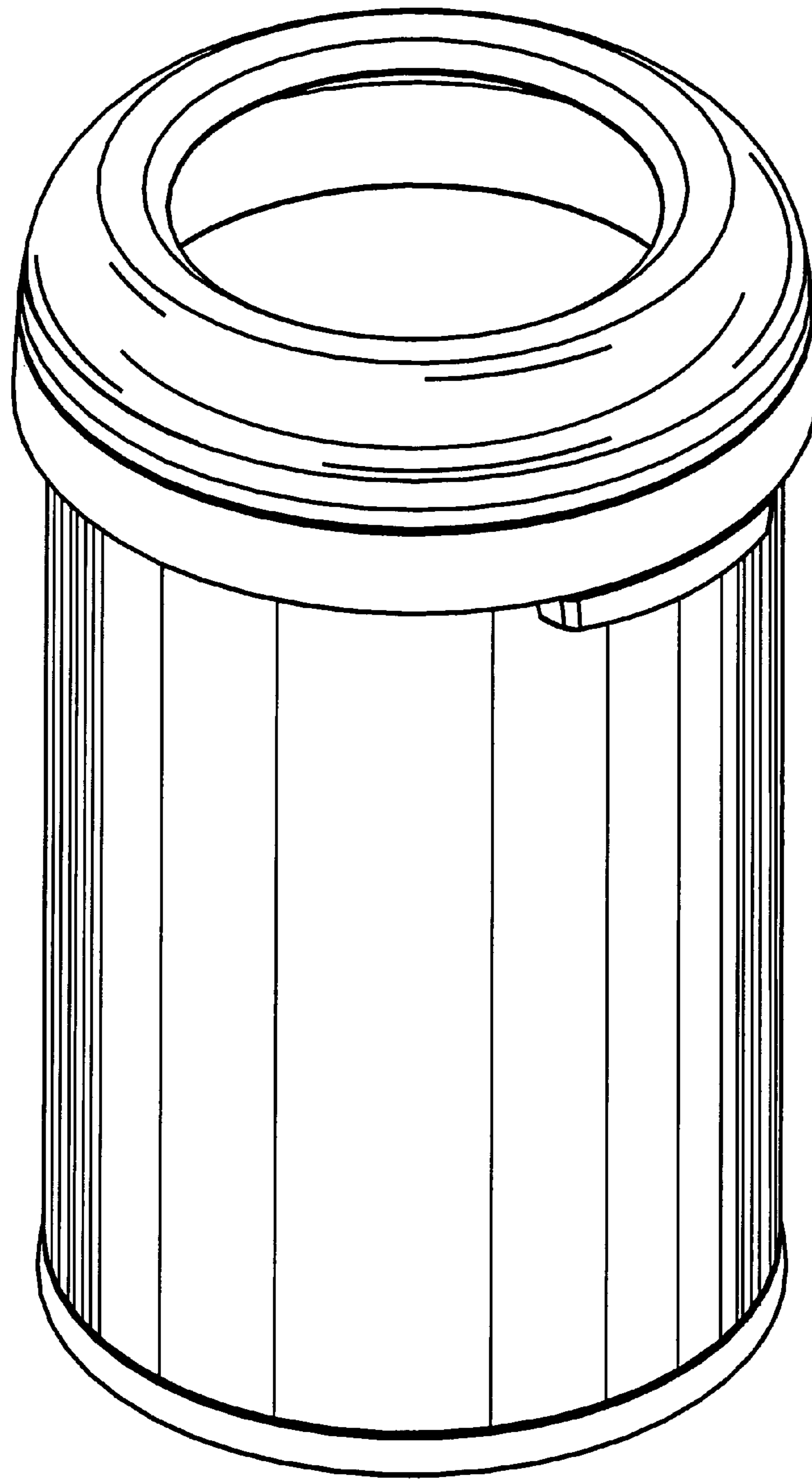


FIG. 1

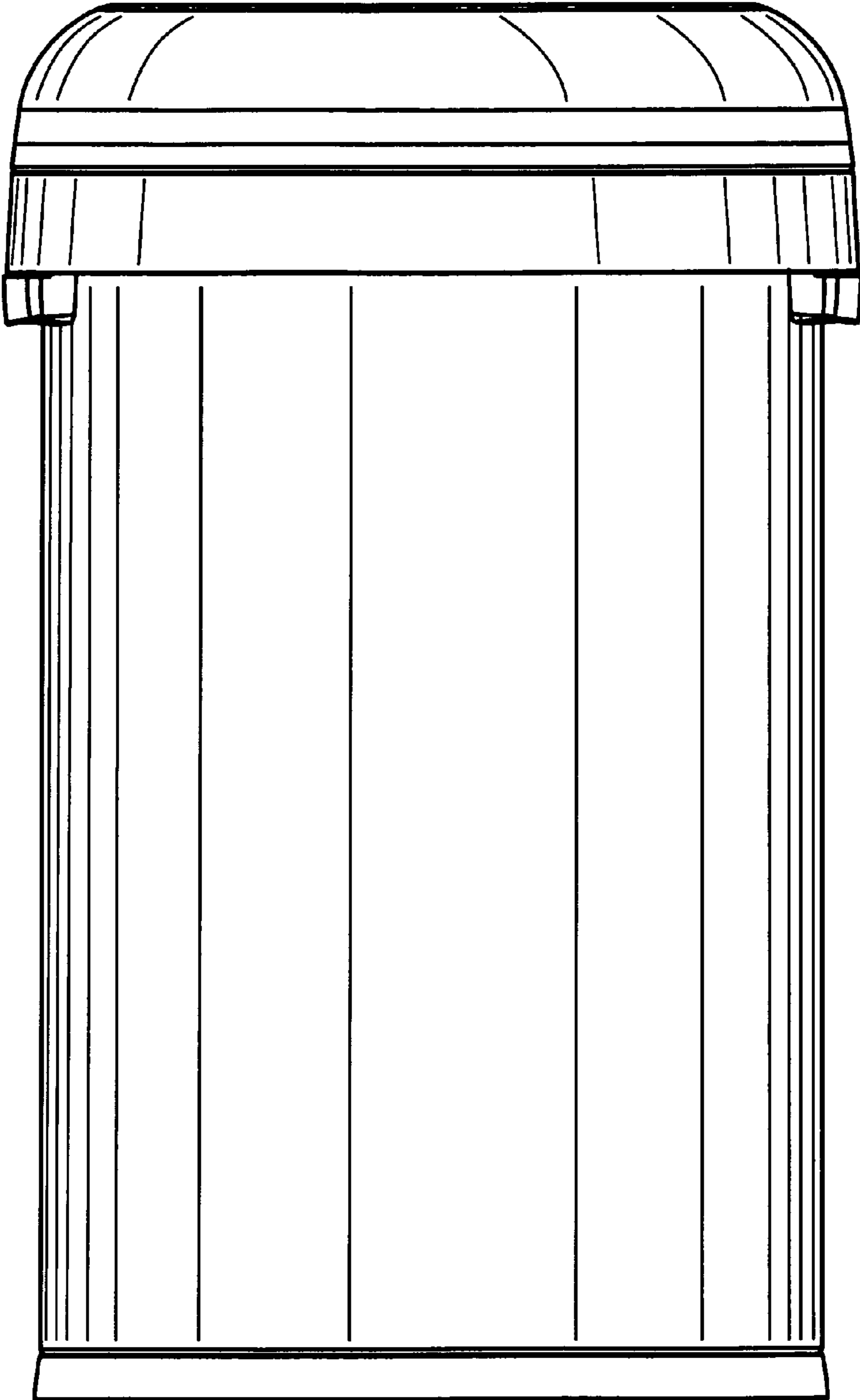


FIG. 2

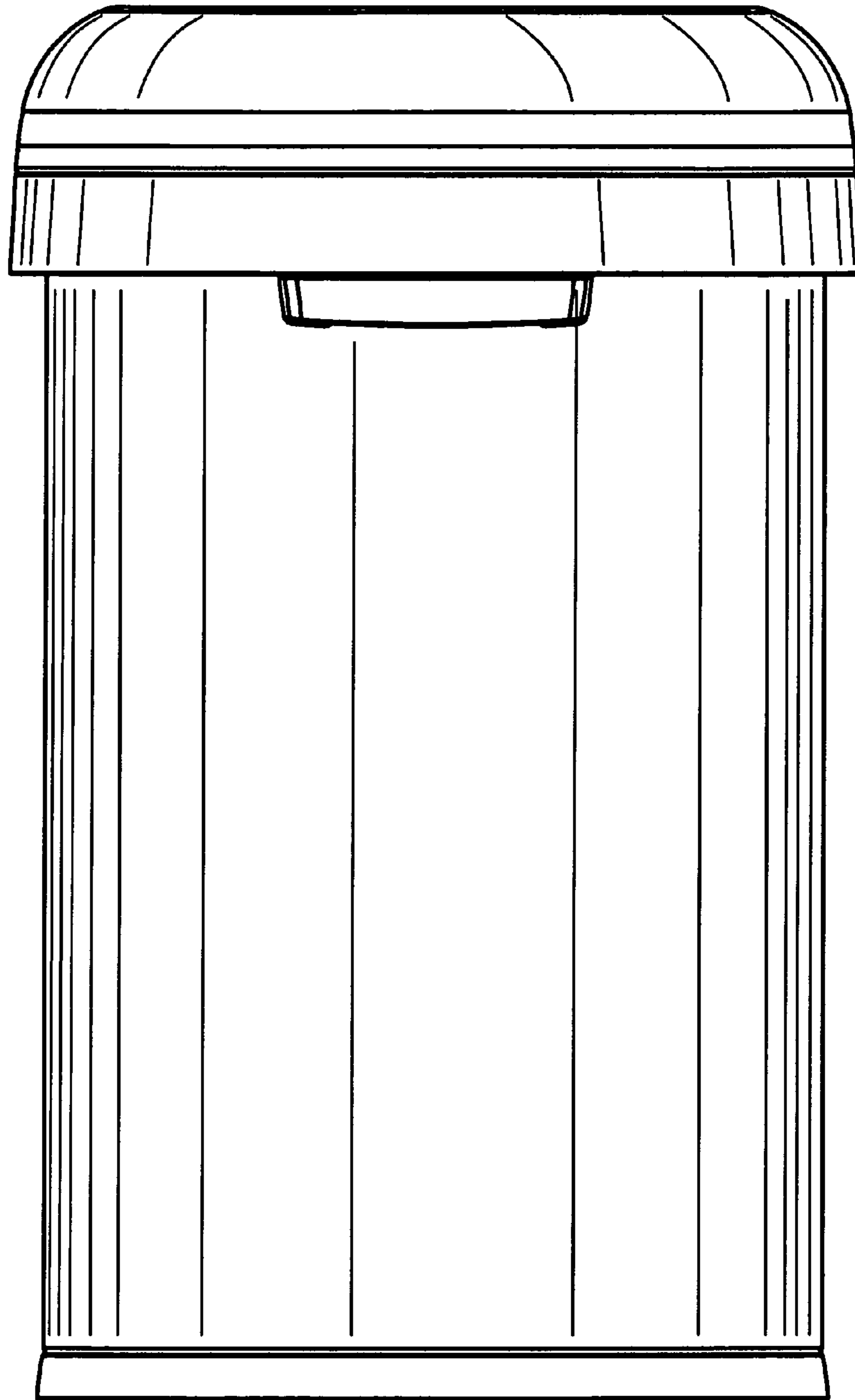


FIG. 3

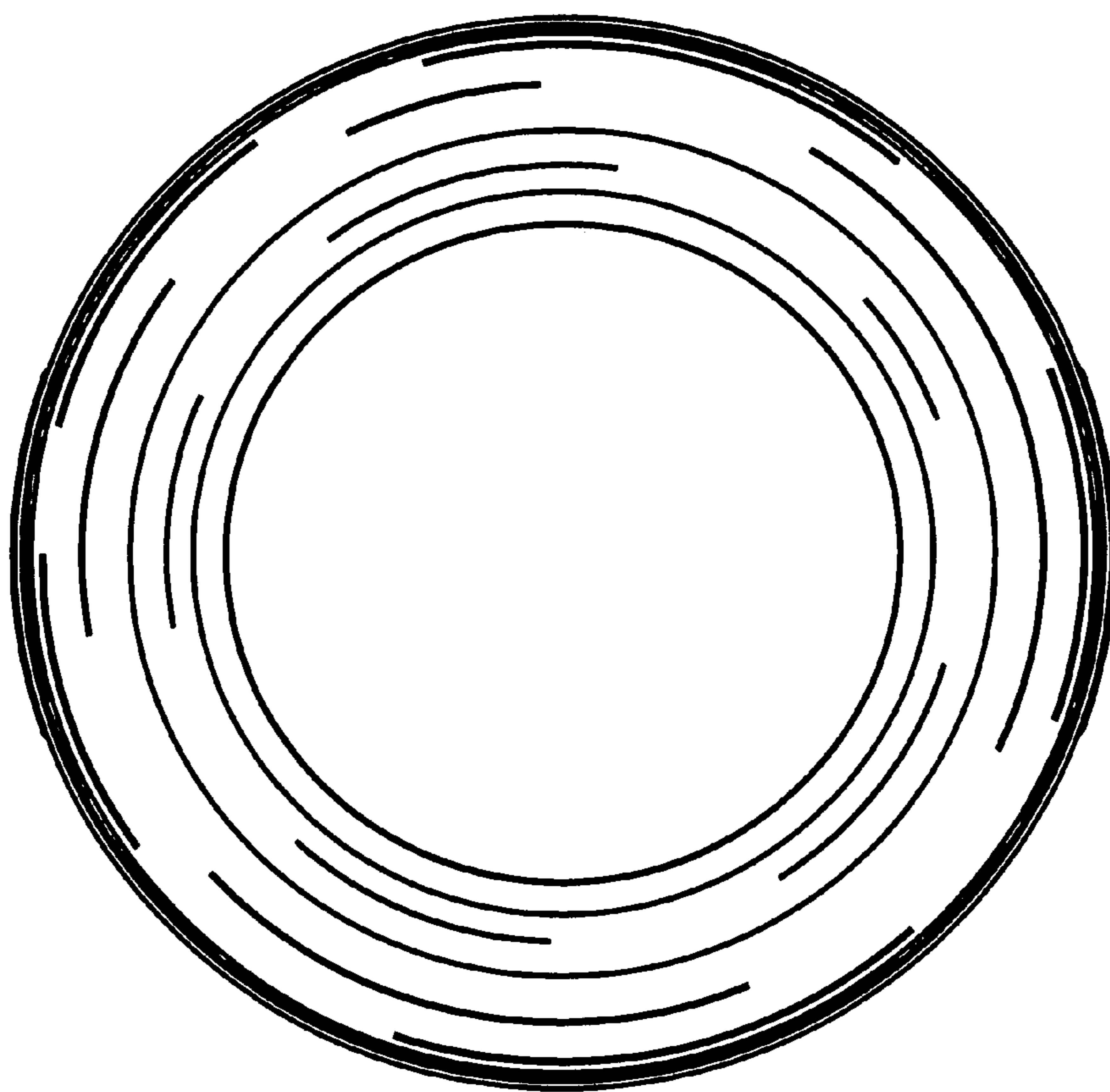


FIG. 4

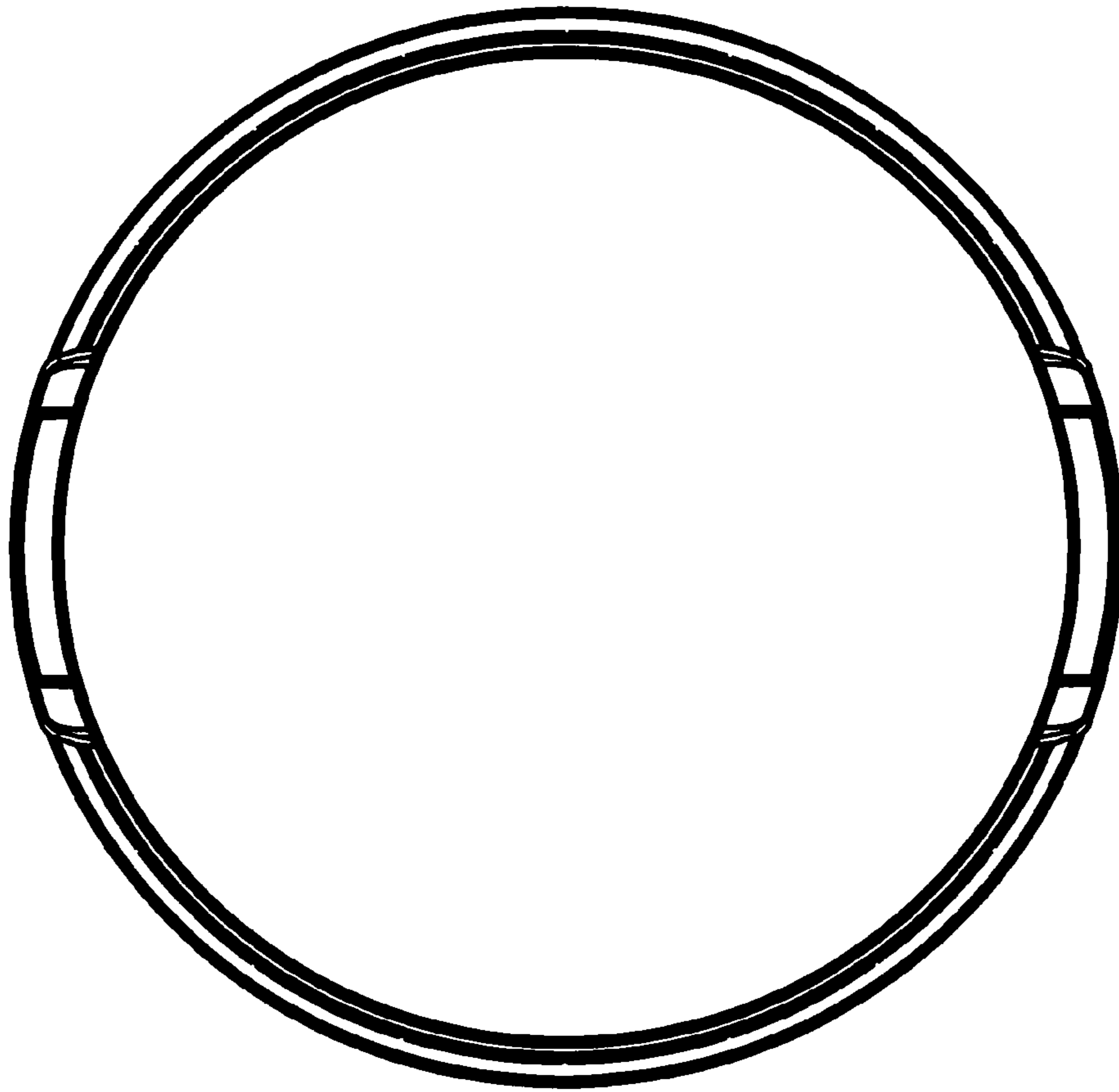


FIG. 5