

US00D720511S

(12) **United States Design Patent**
Shin et al.

(10) **Patent No.:** **US D720,511 S**

(45) **Date of Patent:** **** Dec. 30, 2014**

(54) **ROBOT VACUUM CLEANER**

(71) Applicant: **LG Electronics Inc.**, Seoul (KR)

(72) Inventors: **Hyunseon Shin**, Gyeonggi-do (KR);
Yonggyun Ghim, Seoul (KR); **Hanjin Jung**, Seoul (KR)

(73) Assignee: **LG Electronics Inc.**, Seoul (KR)

(**) Term: **14 Years**

(21) Appl. No.: **29/453,727**

(22) Filed: **May 2, 2013**

(30) **Foreign Application Priority Data**

Nov. 13, 2012 (KR) 30-2012-0054198

(51) **LOC (10) Cl.** **15-05**

(52) **U.S. Cl.**
USPC **D32/21**

(58) **Field of Classification Search**
USPC D32/21, 23, 31; 15/319.353, 320, 339,
15/340.1, 383, 363, 340.4, 246.2, 384,
15/388, 392, 49.1; 180/6.2; 318/568.12;
901/1; 701/2

See application file for complete search history.

(56) **References Cited**

U.S. PATENT DOCUMENTS

D527,854	S	*	9/2006	Marzynski	D32/21
D548,411	S	*	8/2007	Schroter	D32/21
D548,902	S	*	8/2007	Chun et al.	D32/21
D556,961	S	*	12/2007	Swyst et al.	D32/21
7,441,298	B2	*	10/2008	Svendsen et al.	15/49.1
D586,959	S	*	2/2009	Geringer et al.	D32/21
D593,265	S	*	5/2009	Carr et al.	D32/21
D596,815	S	*	7/2009	Baek	D32/21
7,832,048	B2	*	11/2010	Harwig et al.	15/320
D658,341	S	*	4/2012	Nam et al.	D32/21
D659,920	S	*	5/2012	Lee et al.	D32/21
D661,032	S	*	5/2012	Lee et al.	D32/21
D661,439	S	*	6/2012	Lee et al.	D32/21

D661,440	S	*	6/2012	Lee et al.	D32/21
D665,547	S	*	8/2012	Nam et al.	D32/21
D669,235	S	*	10/2012	Bassett et al.	D32/21
D670,877	S	*	11/2012	Geringer et al.	D32/21
8,370,985	B2	*	2/2013	Schnittman et al.	15/41.1
8,438,695	B2	*	5/2013	Gilbert et al.	15/319
D690,478	S	*	9/2013	Li et al.	D32/21
D691,337	S	*	10/2013	Kim et al.	D32/21
8,584,307	B2	*	11/2013	Won et al.	15/319
8,627,542	B2	*	1/2014	Kim et al.	15/319
2006/0288519	A1	*	12/2006	Jaworski et al.	15/340.1
2007/0266508	A1	*	11/2007	Jones et al.	15/49.1
2011/0191976	A1	*	8/2011	Yan	15/319
2012/0023699	A1	*	2/2012	Shim et al.	15/319
2012/0047676	A1	*	3/2012	Jung et al.	15/319
2012/0084934	A1	*	4/2012	Li	15/319
2012/0317744	A1	*	12/2012	Gilbert et al.	15/319
2012/0317745	A1	*	12/2012	Jung et al.	15/319
2013/0025085	A1	*	1/2013	Kim et al.	15/319
2013/0061417	A1	*	3/2013	Vanderstegen-Drake et al.	15/319
2013/0086760	A1	*	4/2013	Han et al.	15/49.1
2013/0152332	A1	*	6/2013	Jang	15/319
2013/0305484	A1	*	11/2013	Dyson et al.	15/353
2013/0340201	A1	*	12/2013	Jang et al.	15/319

* cited by examiner

Primary Examiner — Ruth McInroy

(74) *Attorney, Agent, or Firm* — Morgan, Lewis & Bockius LLP

(57) **CLAIM**

The ornamental design for a robot vacuum cleaner, as shown and described.

DESCRIPTION

FIG. 1 is a front, right side, perspective view of a robot vacuum cleaner showing our new design;
FIG. 2 is a front view thereof;
FIG. 3 is a rear view thereof;
FIG. 4 is a left side view thereof;
FIG. 5 is a right side view thereof; and,
FIG. 6 is a top view thereof.

1 Claim, 3 Drawing Sheets

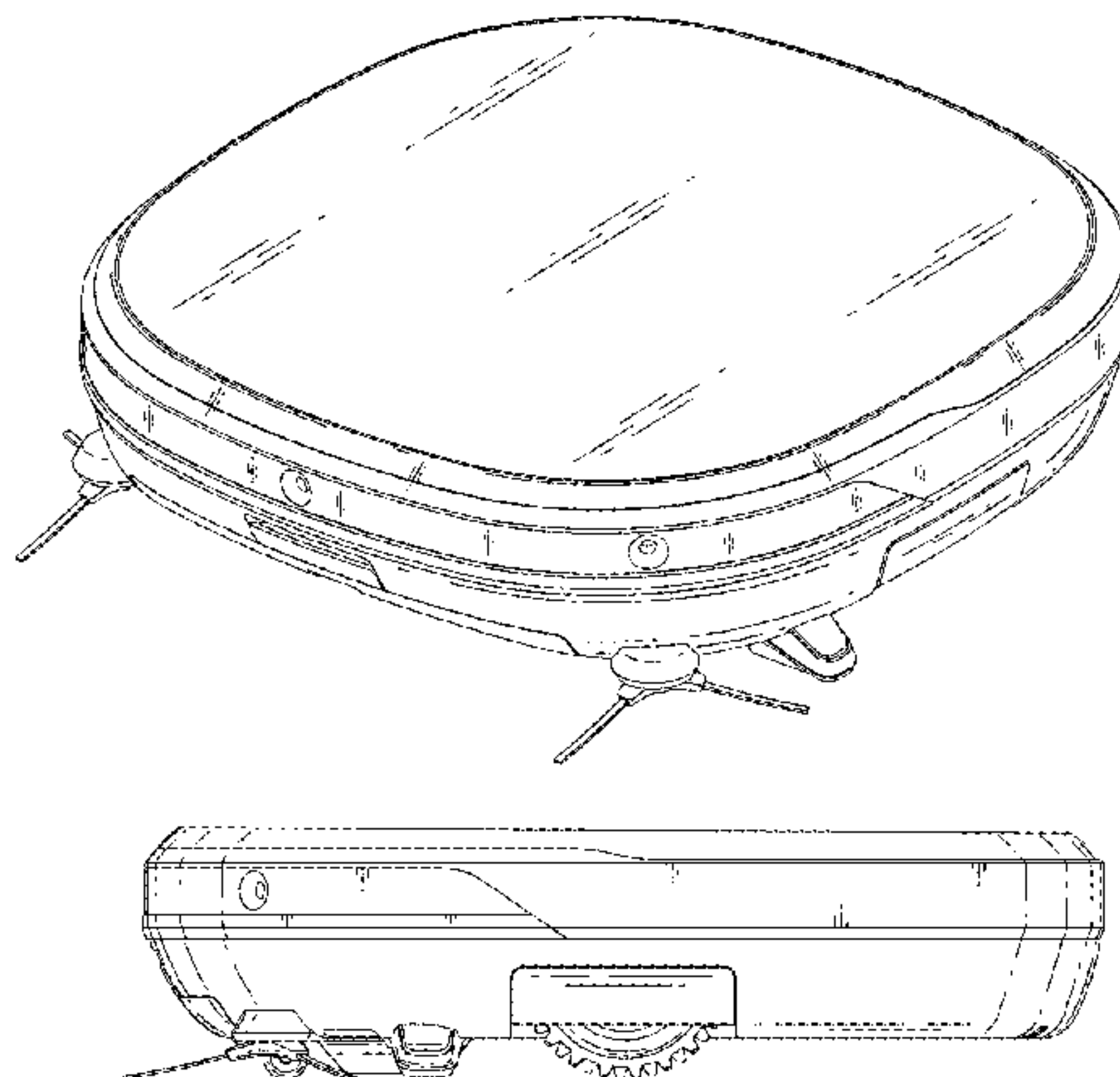


FIG. 1

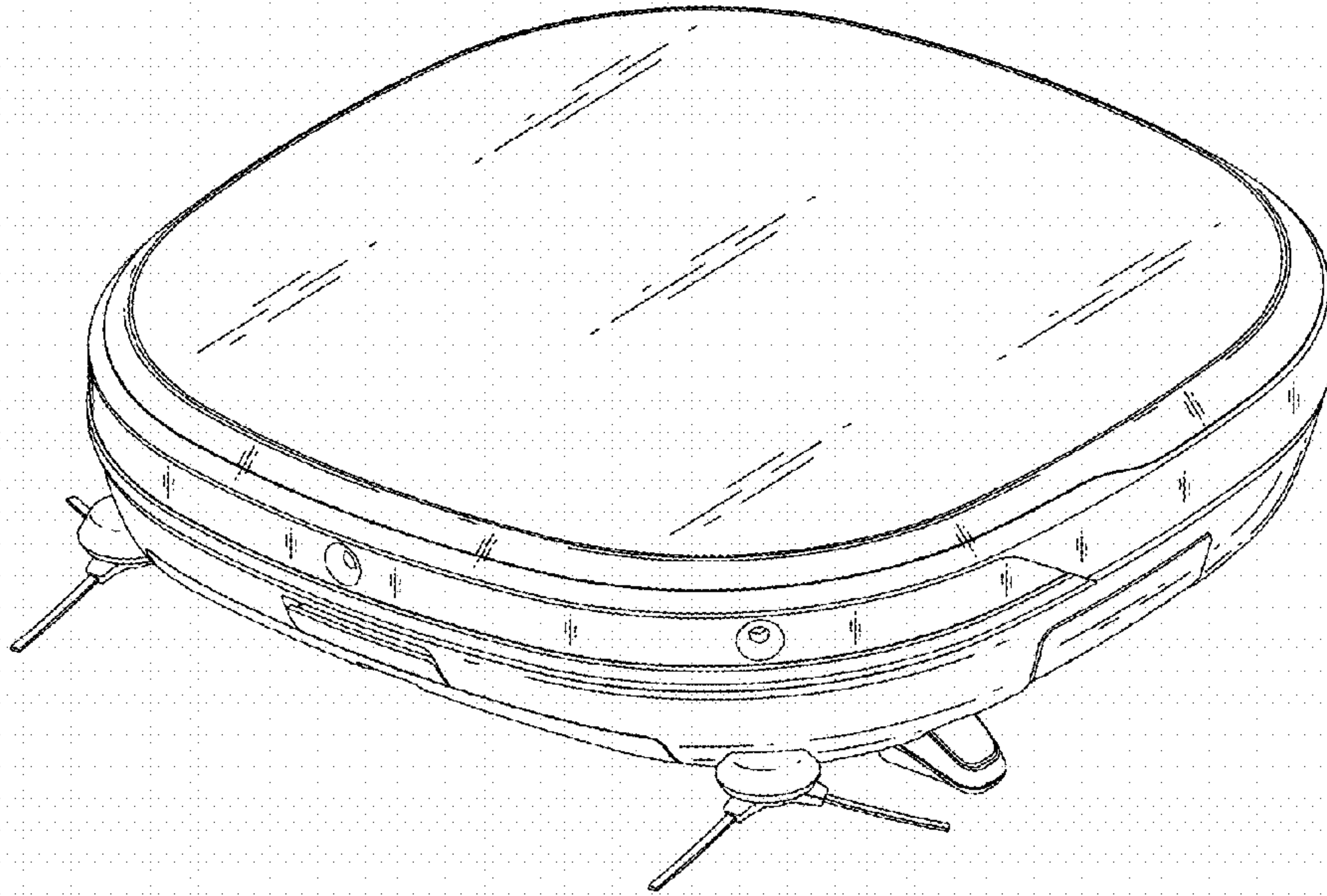


FIG. 2

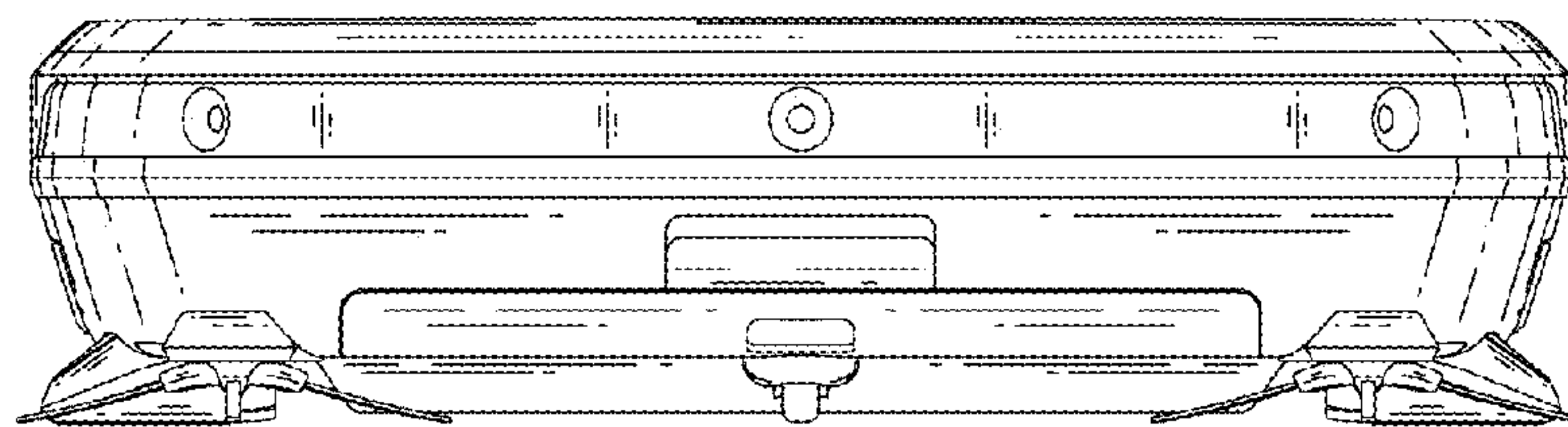


FIG. 3

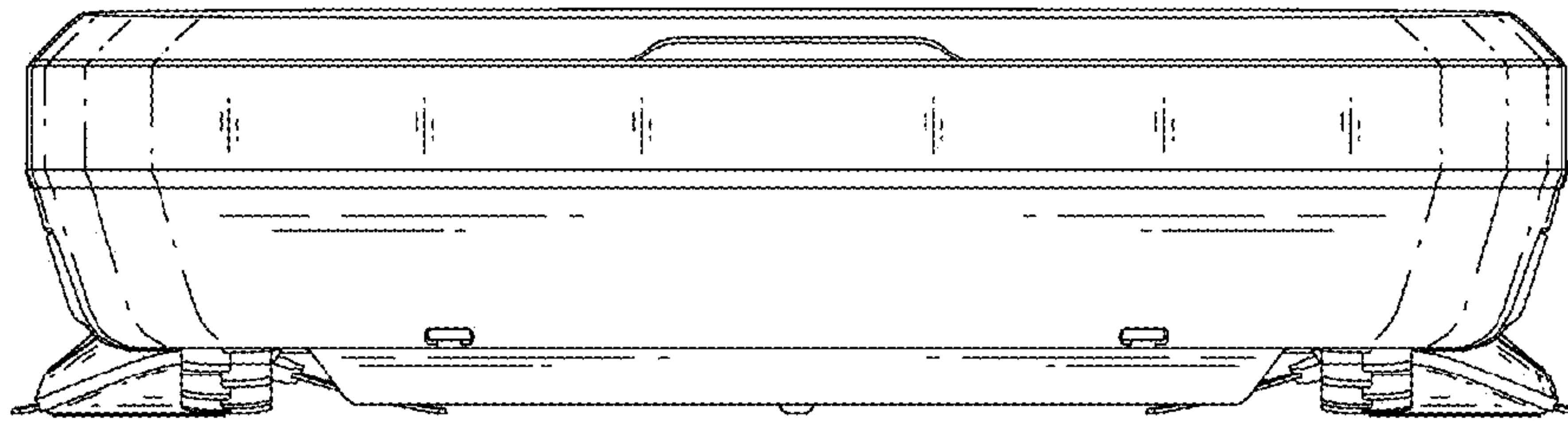


FIG. 4

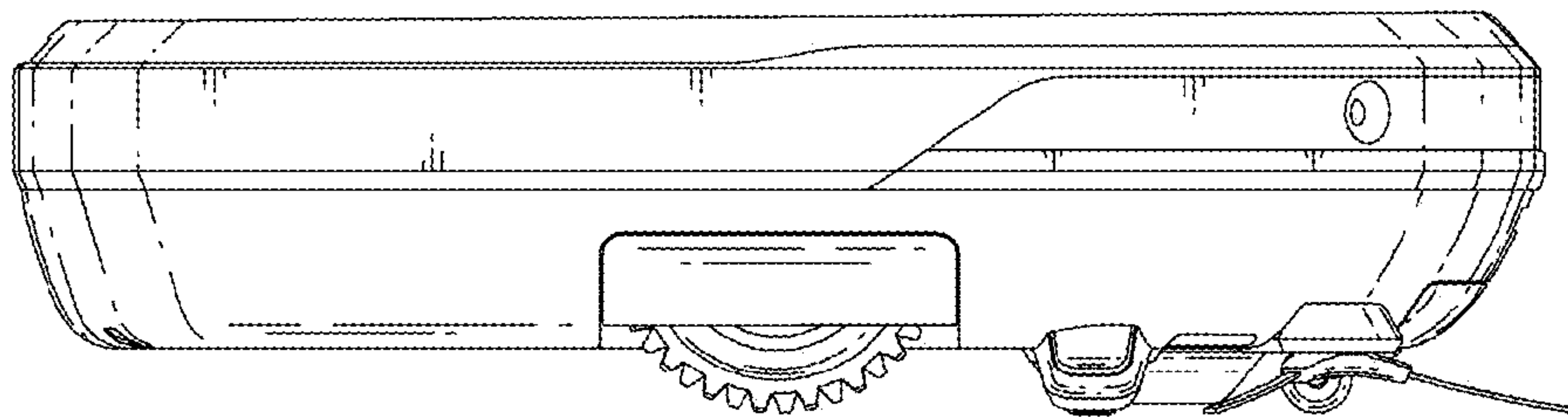


FIG. 5

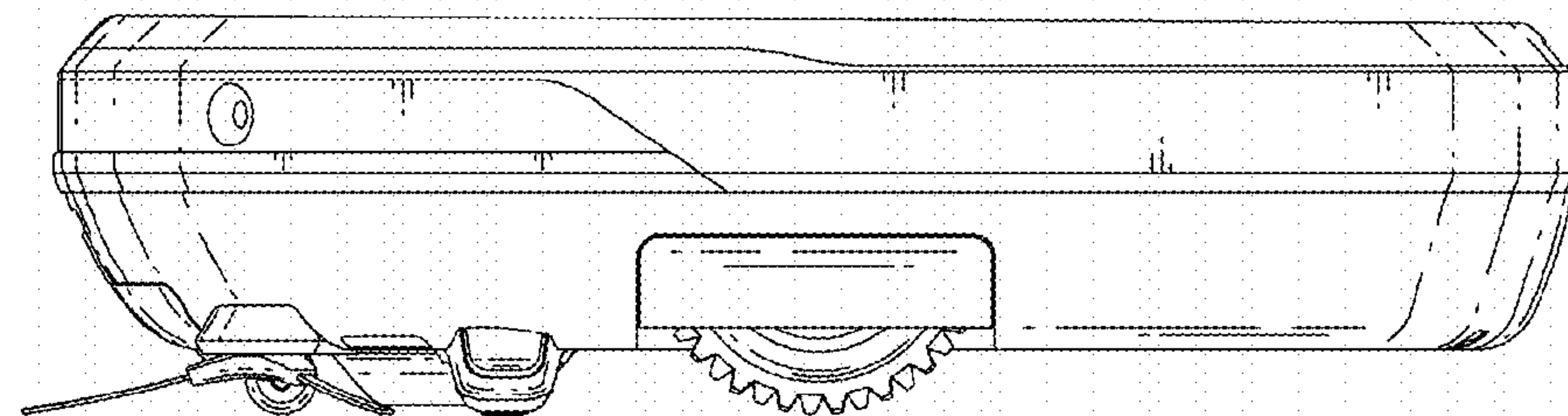


FIG. 6

