



US00D720510S

(12) **United States Design Patent**  
**Shin et al.**

(10) **Patent No.:** **US D720,510 S**

(45) **Date of Patent:** **\*\* Dec. 30, 2014**

(54) **ROBOT VACUUM CLEANER**

(71) Applicant: **LG Electronics Inc.**, Seoul (KR)

(72) Inventors: **Hyunseon Shin**, Gyeonggi-do (KR);  
**Yonggyun Ghim**, Seoul (KR); **Min Dong**, Seoul (KR)

(73) Assignee: **LG Electronics Inc.**, Seoul (KR)

(\*\*) Term: **14 Years**

(21) Appl. No.: **29/453,726**

(22) Filed: **May 2, 2013**

(30) **Foreign Application Priority Data**

Nov. 13, 2012 (KR) ..... 30-2012-0054194

(51) **LOC (10) Cl.** ..... **15-05**

(52) **U.S. Cl.**  
USPC ..... **D32/21**

(58) **Field of Classification Search**  
USPC ..... D32/21, 23, 31; 15/319, 353, 320, 339,  
15/340.1, 383, 363, 340.4, 246.2, 384,  
15/388, 392, 49.1; 180/6.2; 318/568.12;  
901/1; 701/2  
See application file for complete search history.

(56) **References Cited**

U.S. PATENT DOCUMENTS

D527,854 S \* 9/2006 Marzynski ..... D32/21  
D548,411 S \* 8/2007 Schroter ..... D32/21  
D548,902 S \* 8/2007 Chun et al. .... D32/21  
D556,961 S \* 12/2007 Swyst et al. .... D32/21  
7,441,298 B2 \* 10/2008 Svendsen et al. .... 15/49.1  
D586,959 S \* 2/2009 Geringer et al. .... D32/21  
D593,265 S \* 5/2009 Carr et al. .... D32/21  
D596,815 S \* 7/2009 Baek ..... D32/21  
7,832,048 B2 \* 11/2010 Harwig et al. .... 15/320  
D658,341 S \* 4/2012 Nam et al. .... D32/21

D659,920 S \* 5/2012 Lee et al. .... D32/21  
D661,032 S \* 5/2012 Lee et al. .... D32/21  
D661,439 S \* 6/2012 Lee et al. .... D32/21  
D661,440 S \* 6/2012 Lee et al. .... D32/21  
D665,547 S \* 8/2012 Nam et al. .... D32/21  
D669,235 S \* 10/2012 Bassett et al. .... D32/21  
D670,877 S \* 11/2012 Geringer et al. .... D32/21  
8,370,985 B2 \* 2/2013 Schnittman et al. .... 15/41.1  
8,438,695 B2 \* 5/2013 Gilbert et al. .... 15/319  
D690,478 S \* 9/2013 Li et al. .... D32/21  
D691,337 S \* 10/2013 Kim et al. .... D32/21  
8,584,307 B2 \* 11/2013 Won et al. .... 15/319  
8,627,542 B2 \* 1/2014 Kim et al. .... 15/319  
2006/0288519 A1 \* 12/2006 Jaworski et al. .... 15/340.1  
2007/0266508 A1 \* 11/2007 Jones et al. .... 15/49.1  
2011/0191976 A1 \* 8/2011 Yan ..... 15/319  
2012/0023699 A1 \* 2/2012 Shim et al. .... 15/319  
2012/0047676 A1 \* 3/2012 Jung et al. .... 15/319  
2012/0084934 A1 \* 4/2012 Li ..... 15/319  
2012/0317744 A1 \* 12/2012 Gilbert et al. .... 15/319  
2012/0317745 A1 \* 12/2012 Jung et al. .... 15/319  
2013/0025085 A1 \* 1/2013 Kim et al. .... 15/319  
2013/0061417 A1 \* 3/2013 Vanderstegen-Drake  
et al. .... 15/319  
2013/0086760 A1 \* 4/2013 Han et al. .... 15/49.1

(Continued)

Primary Examiner — Ruth McInroy

(74) *Attorney, Agent, or Firm* — Morgan, Lewis & Bockius LLP

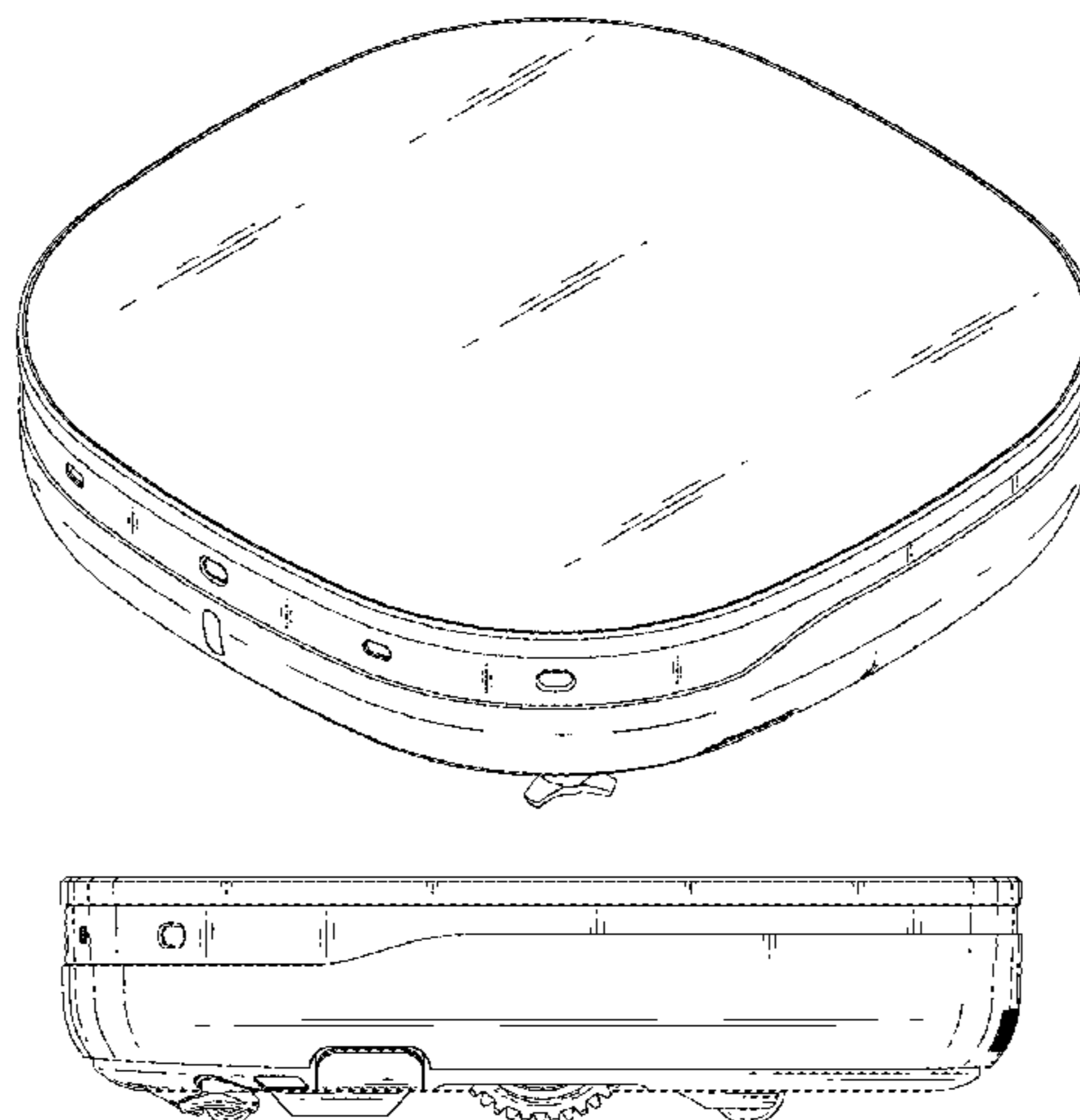
(57) **CLAIM**

The ornamental design for a robot vacuum cleaner, as shown and described.

**DESCRIPTION**

FIG. 1 is a front, right side, perspective view of a robot vacuum cleaner showing our new design;  
FIG. 2 is a front view thereof;  
FIG. 3 is a rear view thereof;  
FIG. 4 is a left side view thereof;  
FIG. 5 is a right side view thereof; and,  
FIG. 6 is a top view thereof.

**1 Claim, 3 Drawing Sheets**



# US D720,510 S

Page 2

---

(56)

## References Cited

2013/0305484 A1\* 11/2013 Dyson et al. .... 15/353  
2013/0340201 A1\* 12/2013 Jang et al. .... 15/319

## U.S. PATENT DOCUMENTS

2013/0152332 A1\* 6/2013 Jang ..... 15/319 \* cited by examiner

FIG. 1

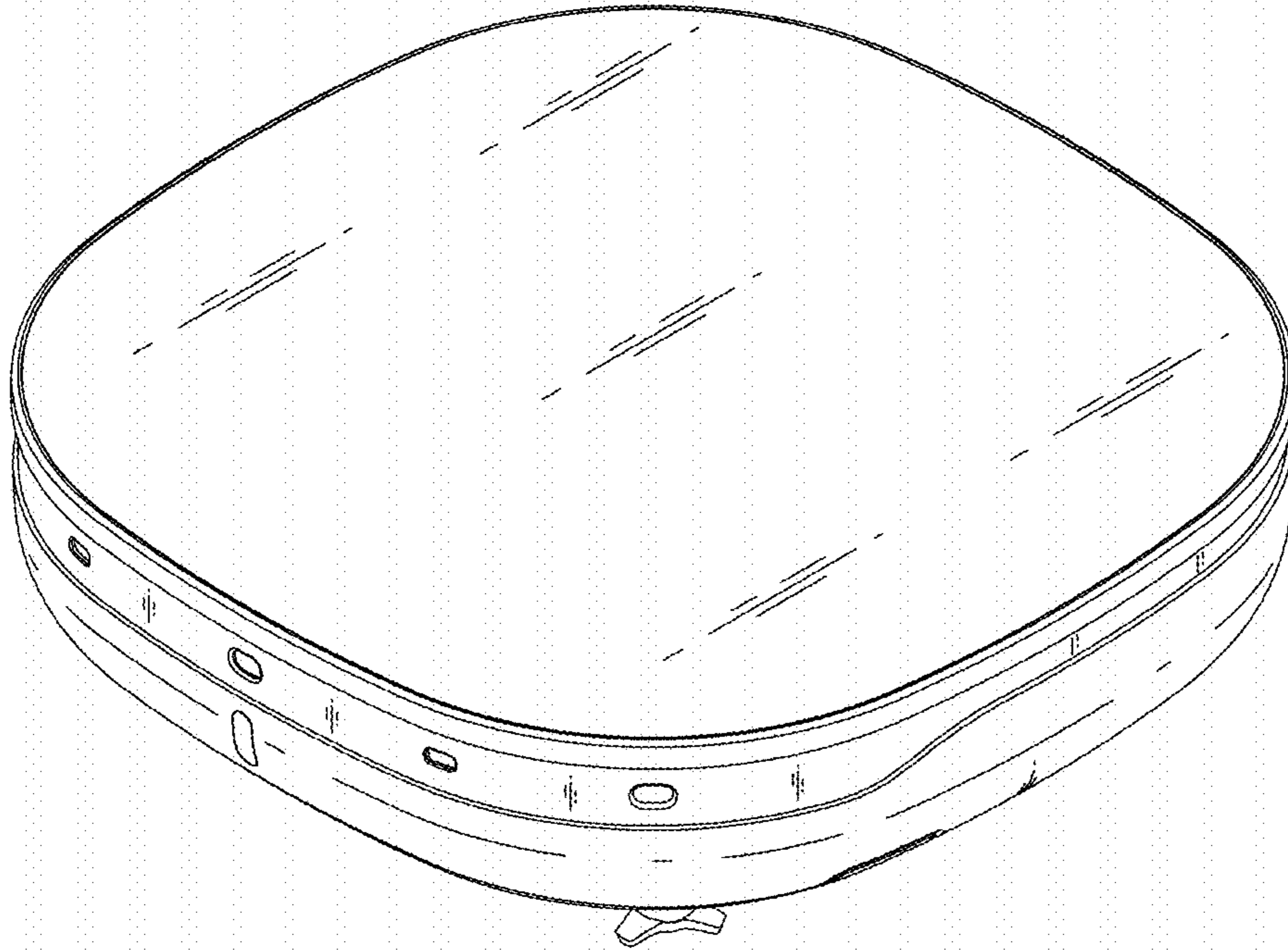


FIG. 2

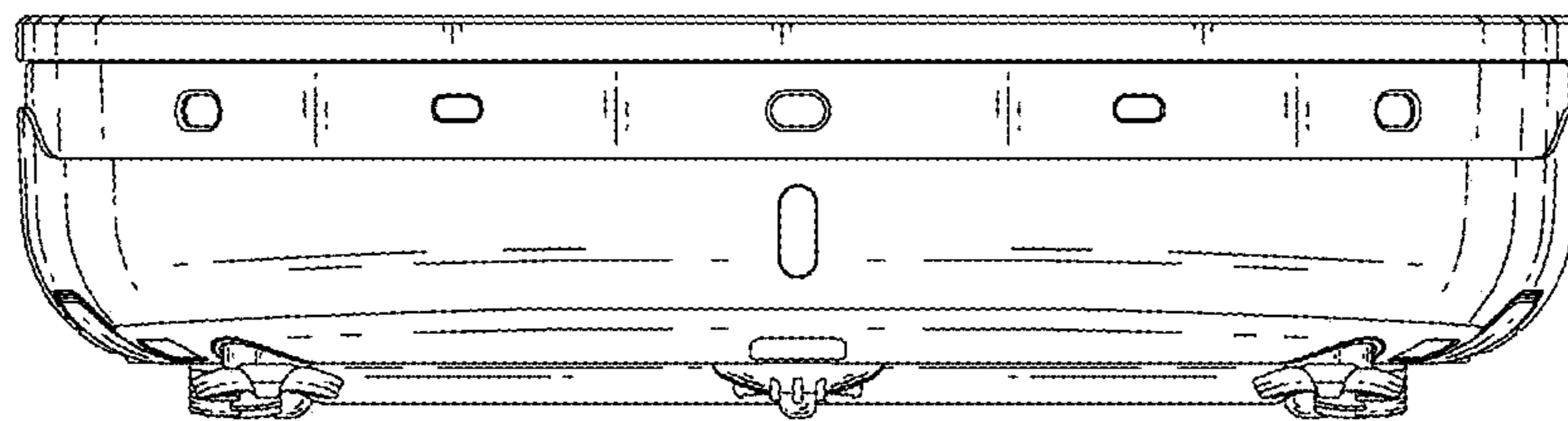


FIG. 3

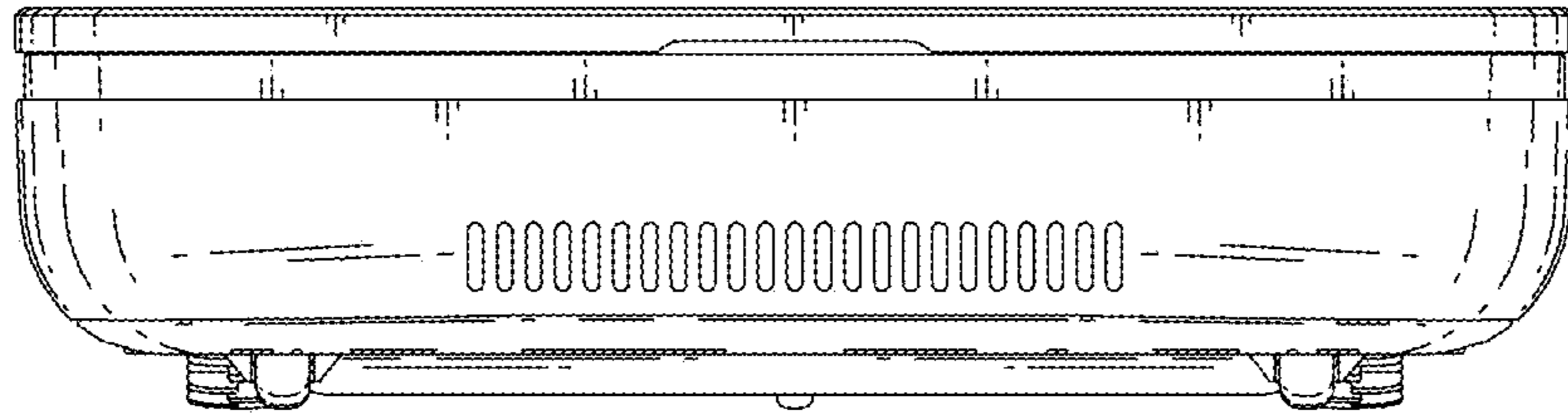


FIG. 4

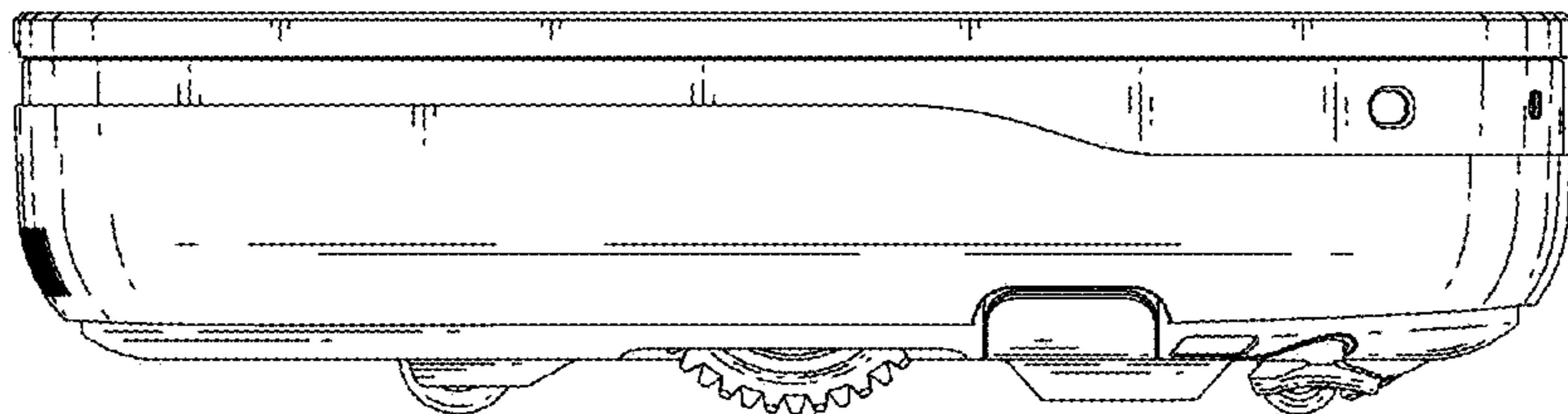


FIG. 5

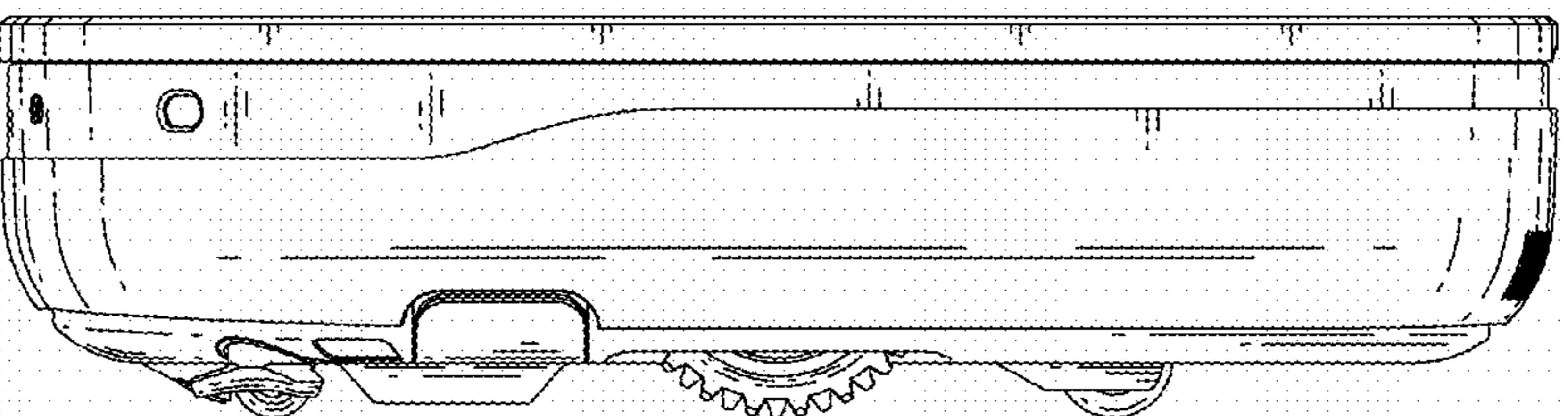


FIG. 6

