



US00D720508S

(12) **United States Design Patent**
Parks

(10) **Patent No.:** **US D720,508 S**

(45) **Date of Patent:** **** Dec. 30, 2014**

(54) **WATER BOTTLE FOR SMALL ANIMAL**

(71) Applicant: **Linda Parks**, Napa, CA (US)

(72) Inventor: **Linda Parks**, Napa, CA (US)

(**) Term: **14 Years**

(21) Appl. No.: **29/495,070**

(22) Filed: **Jun. 26, 2014**

(51) **LOC (10) Cl.** **30-03**

(52) **U.S. Cl.**

USPC **D30/132**

(58) **Field of Classification Search**

USPC D30/123, 129, 132, 121; 119/69.5, 673,
119/57.8, 68, 74, 61.57, 78-81, 61.4, 57.9,
119/51.5, 61.5, 72; 47/66.6, 39, 67, 83;
239/27, 280, 200, 281, 280.5, 273, 16,
239/17, 20, 22; 4/644, 627, 638; D7/558;
D11/144, 145, 153; D99/5, 24; 27/1;
D23/201, 292; 248/127, 132, 137, 138,
248/158, 910; 215/10; D6/353, 352, 484,
D6/360, 480, 488; 219/521; 329/442, 459
See application file for complete search history.

(56) **References Cited**

U.S. PATENT DOCUMENTS

3,163,869 A * 1/1965 Johnson et al. 4/144.1
3,529,575 A * 9/1970 Schalk 119/72.5
D249,076 S * 8/1978 Meeker et al. D30/132
D264,127 S * 4/1982 Peterson D24/224
4,807,567 A * 2/1989 Atchley 119/477
4,989,545 A * 2/1991 Sheaffer et al. 119/419
D328,431 S * 8/1992 Skidmore et al. D9/523
D337,863 S * 7/1993 Howell D30/132
D341,204 S * 11/1993 Hansen et al. D24/224

D347,479 S * 5/1994 Hansen et al. D24/224
D359,361 S * 6/1995 Swift D24/224
D376,876 S * 12/1996 McInnes D30/121
D379,521 S * 5/1997 Stevens et al. D24/224
D403,130 S * 12/1998 Bunney et al. D30/121
5,924,384 A * 7/1999 Deitrich et al. 119/419
D439,519 S * 3/2001 Ruble et al. D9/523
D454,788 S * 3/2002 Pezzoli et al. D9/526
D476,452 S * 6/2003 Dietrich et al. D30/132
D486,396 S * 2/2004 Stinedurf D9/523
D519,031 S * 4/2006 Snyder D9/522
D586,656 S * 2/2009 Mount D9/523

* cited by examiner

Primary Examiner — Susan Moon Lee

(74) *Attorney, Agent, or Firm* — Howard Cohen

(57) **CLAIM**

I claim the ornamental design for a water bottle for small animal, as shown and described.

DESCRIPTION

FIG. 1 is a perspective view of the above front of the water bottle for small animal.

FIG. 2 is a top view of the water bottle for small animal.

FIG. 3 is a bottom view of the water bottle for small animal.

FIG. 4 is a front view of the water bottle for small animal.

FIG. 5 is a right side view of the water bottle for small animal.

FIG. 6 is a left side view of the water bottle for small animal.

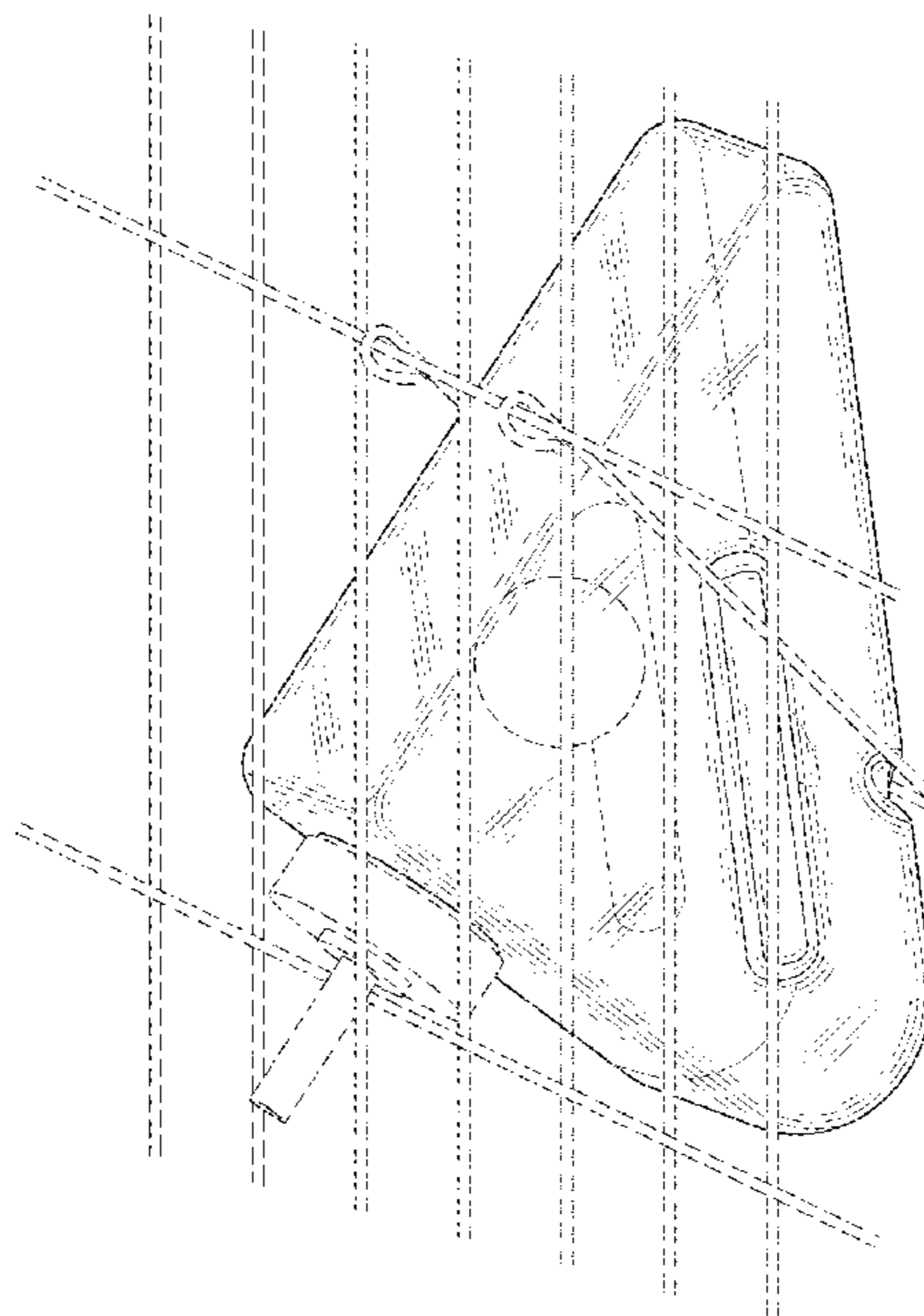
FIG. 7 is a rear view of the water bottle for small animal; and,

FIG. 8 is a perspective view in an environment of the water bottle for small animal.

Broken lines and entirely unshaded portions contained within broken line are not claimed.

The article is a water bottle for animals which can be attached or removed from a cage.

1 Claim, 2 Drawing Sheets



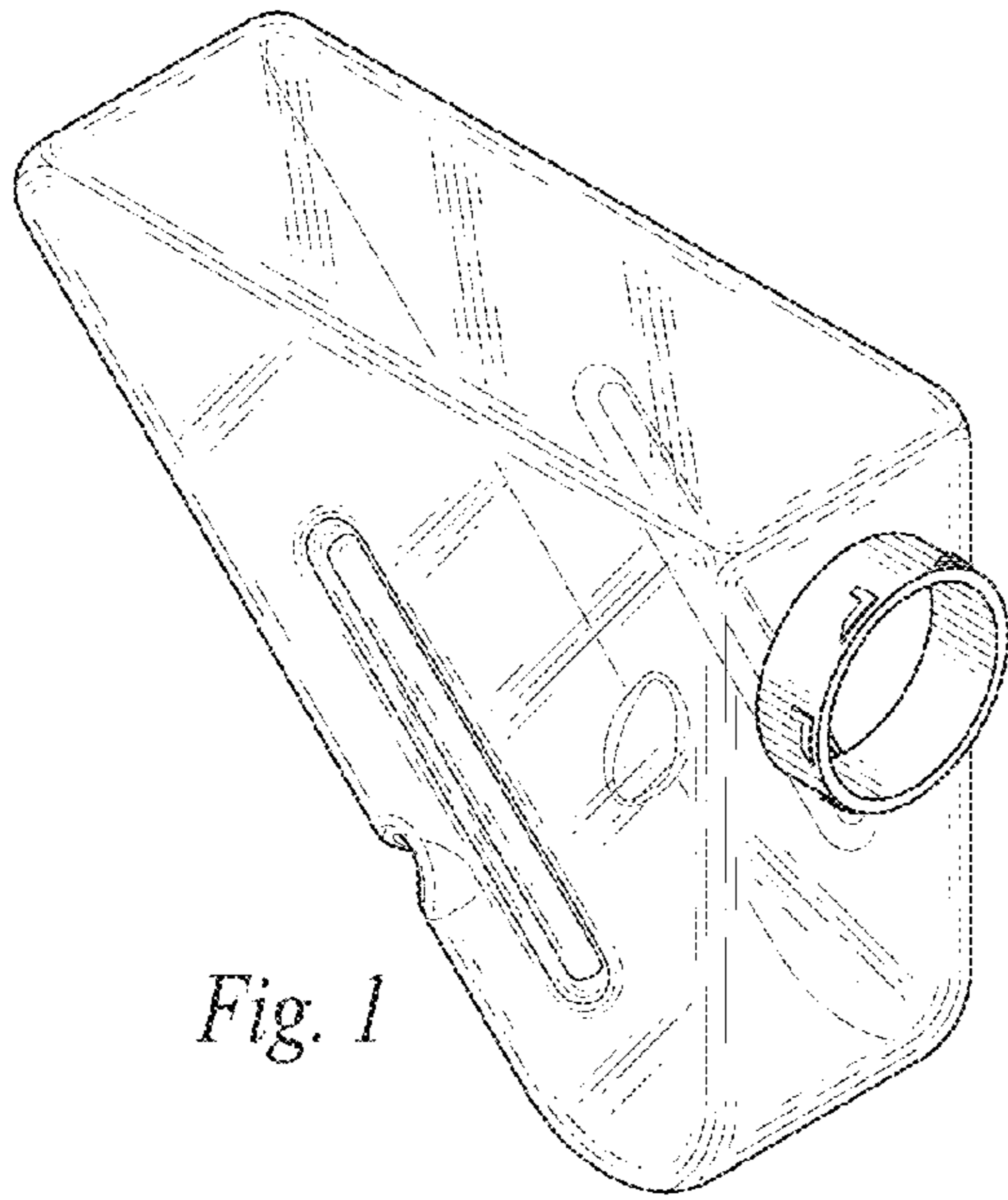


Fig. 1

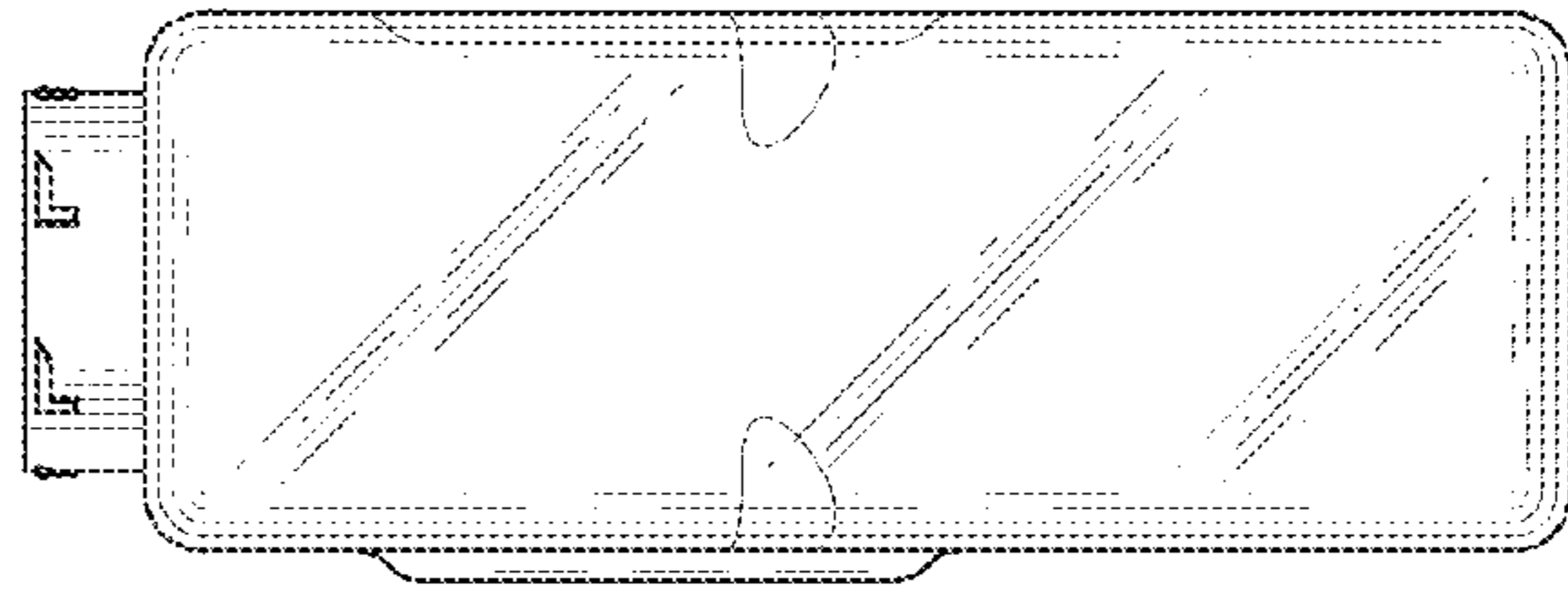


Fig. 2

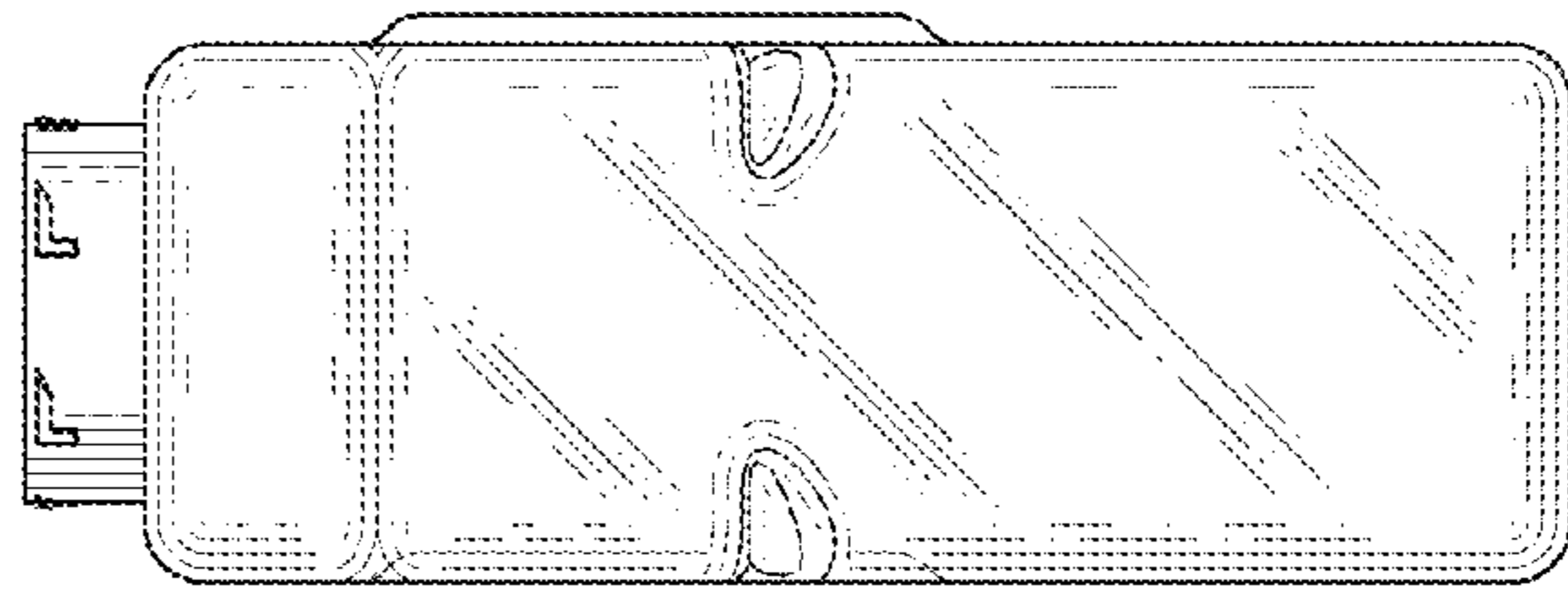


Fig. 3

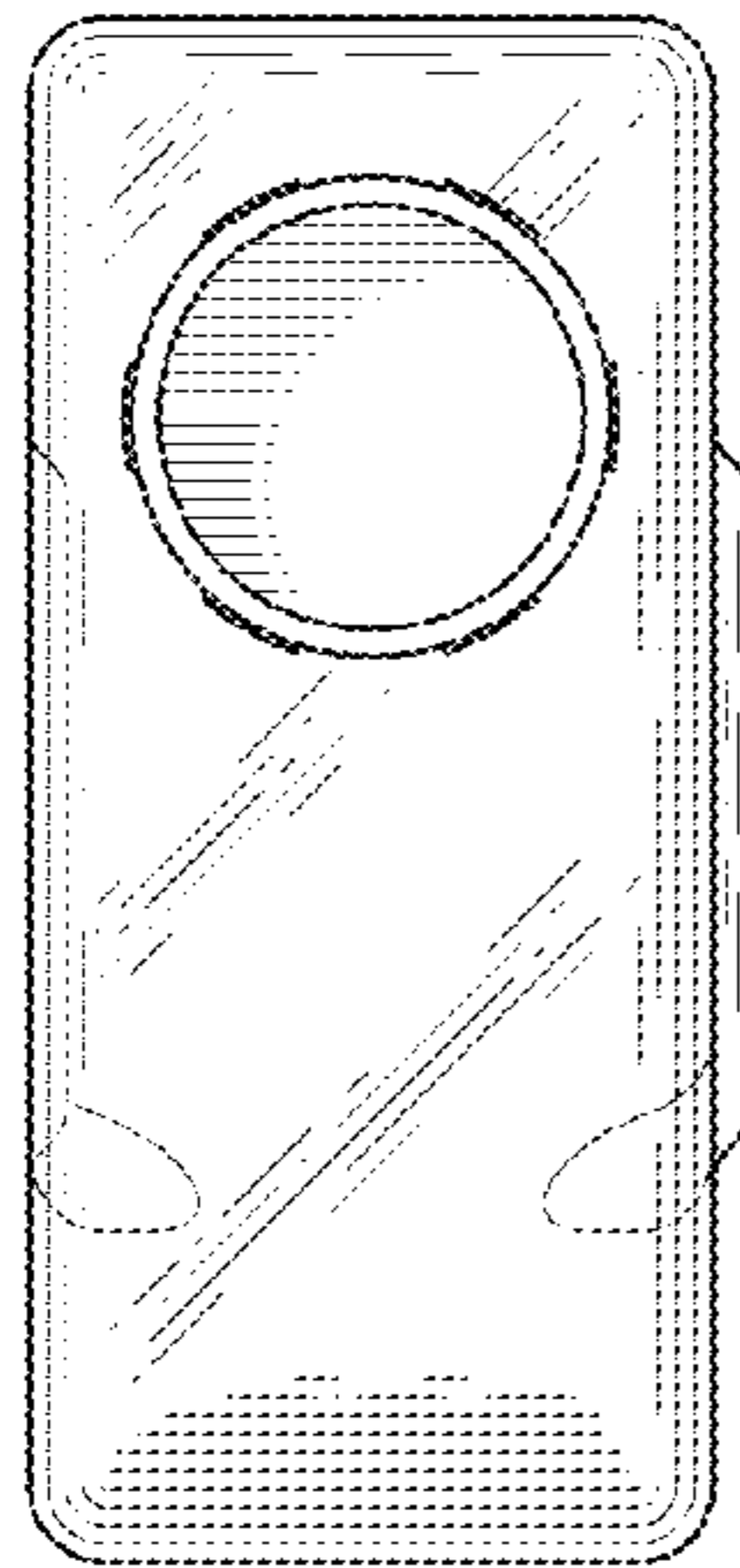


Fig. 4

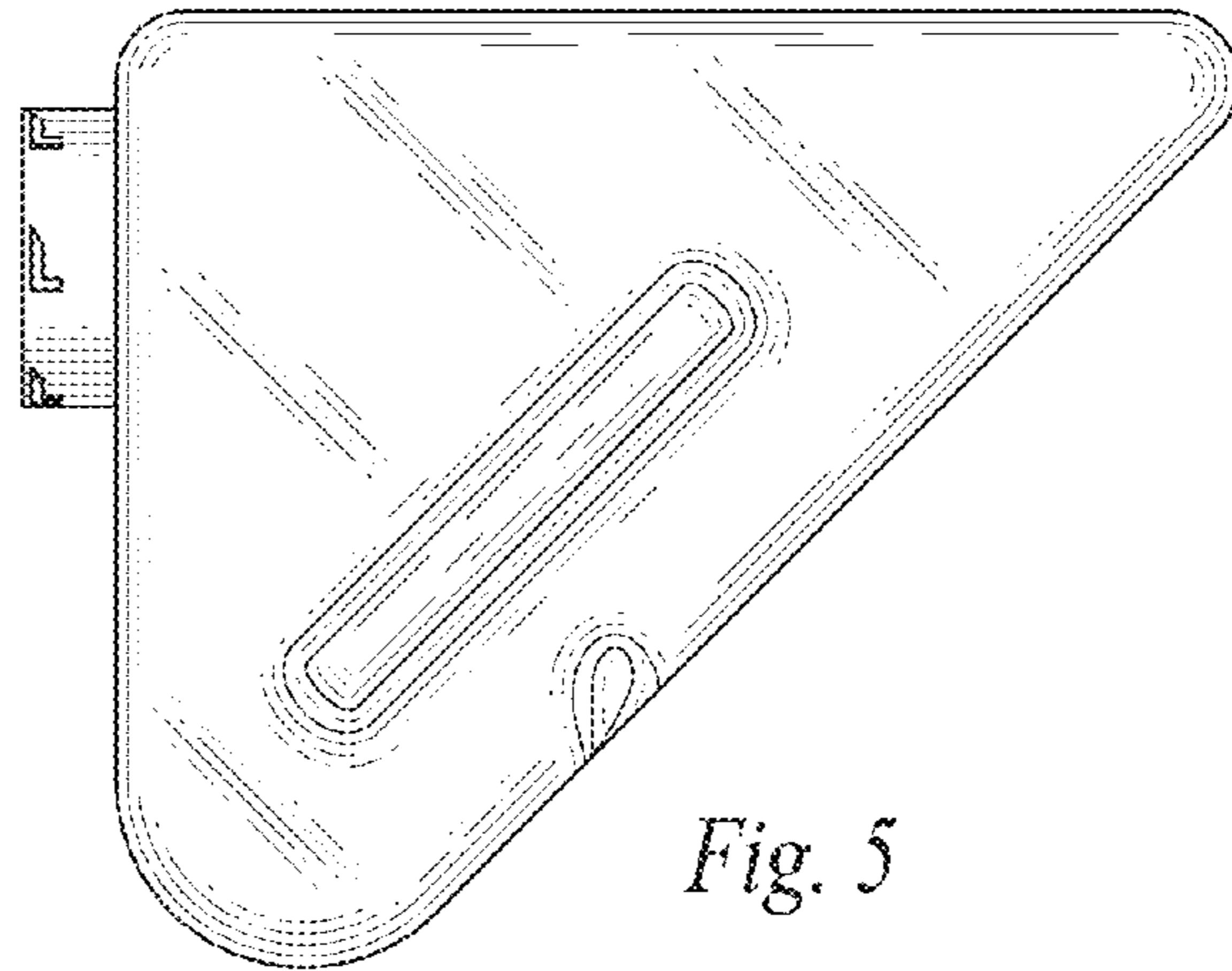


Fig. 5

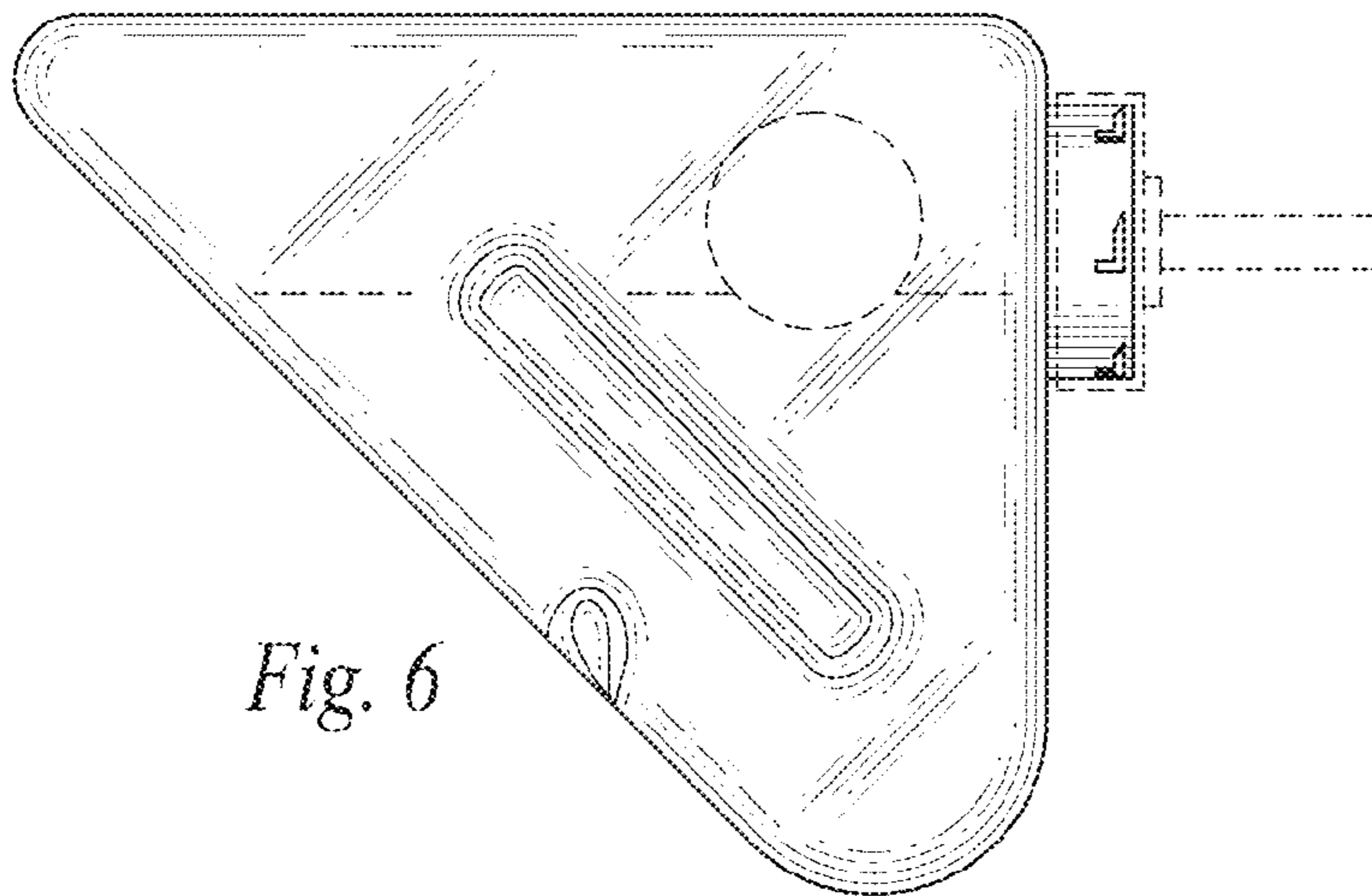


Fig. 6

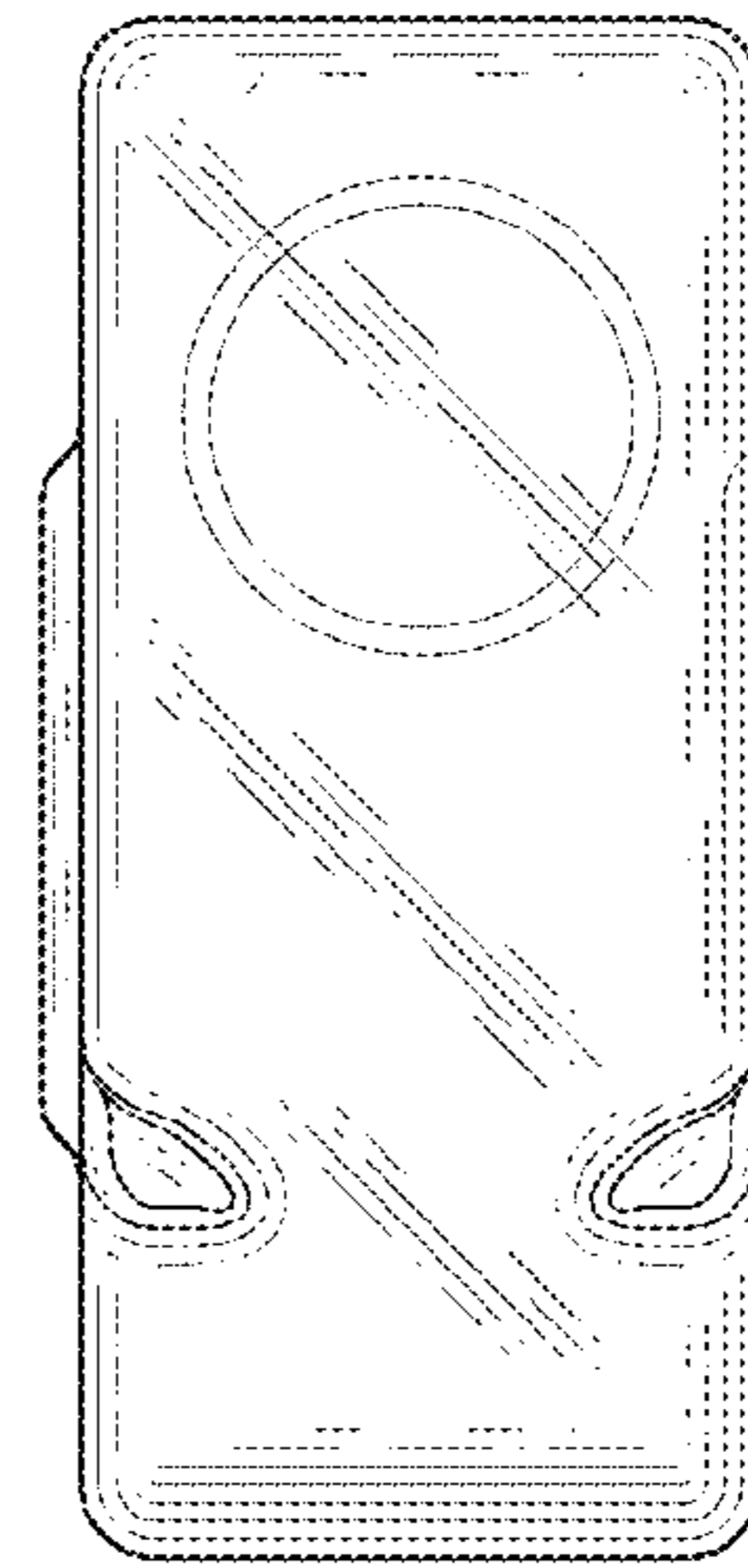


Fig. 7

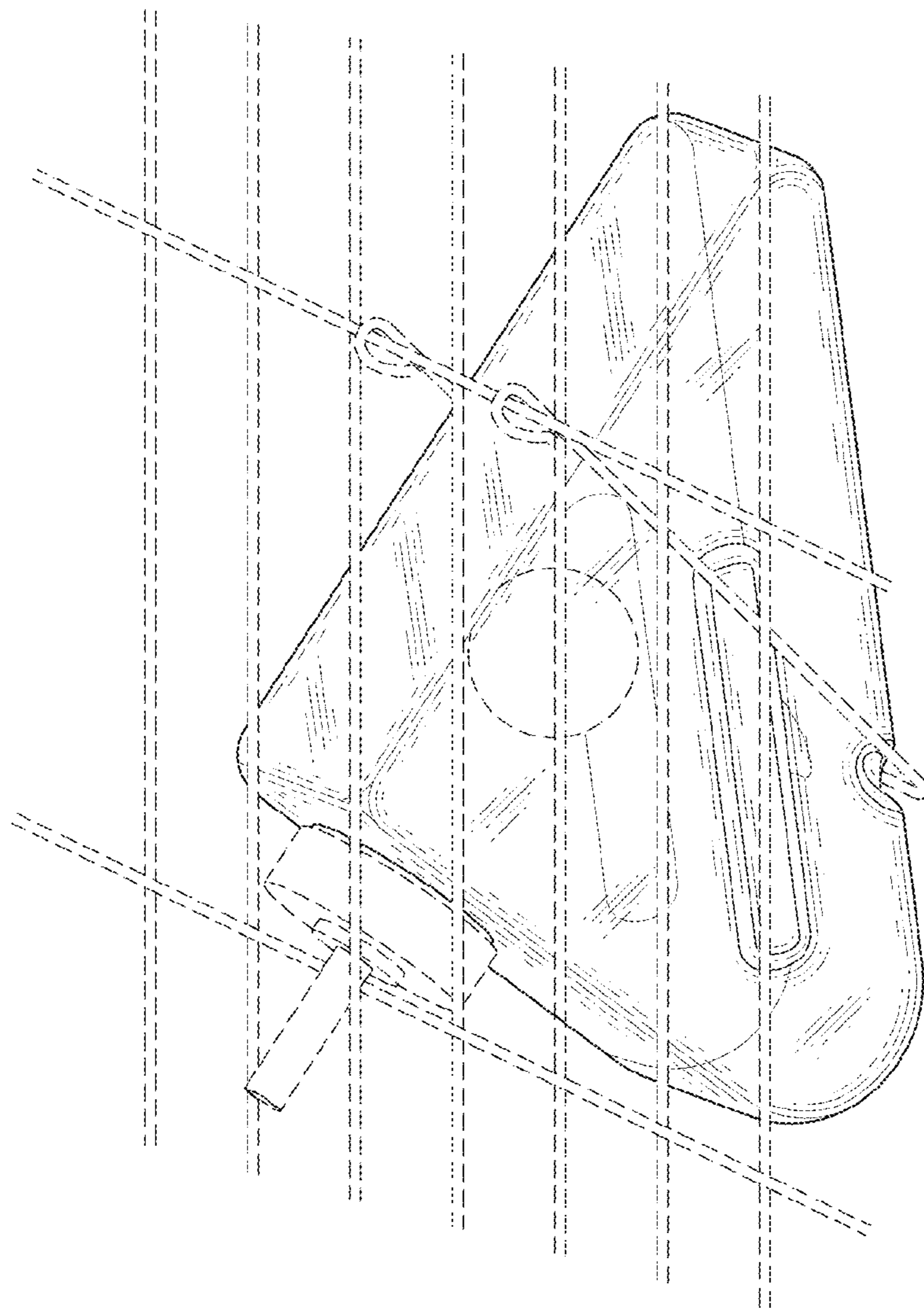


Fig. 8