



US00D720507S

(12) **United States Design Patent**  
**Sawley**

(10) **Patent No.:** **US D720,507 S**

(45) **Date of Patent:** **\*\* Dec. 30, 2014**

(54) **TOILET BOWL PET WATER DISH**

(71) Applicant: **Rebecca Sawley, Vallejo, CA (US)**

(72) Inventor: **Rebecca Sawley, Vallejo, CA (US)**

(\*\*) Term: **14 Years**

(21) Appl. No.: **29/472,989**

(22) Filed: **Nov. 18, 2013**

(51) **LOC (10) Cl.** ..... **30-03**

(52) **U.S. Cl.**  
USPC ..... **D30/132; D30/129; D30/121**

(58) **Field of Classification Search**  
USPC ..... D30/121, 129, 132, 161; D23/301, 295,  
D23/298; 119/53, 52.1, 51.5, 77, 73, 74  
See application file for complete search history.

(56) **References Cited**

**U.S. PATENT DOCUMENTS**

D101,534 S *	10/1936	Karstadt	.....	D23/301
D191,697 S *	11/1961	Chapman	.....	D23/301
3,045,248 A *	7/1962	Gentry	.....	4/420.1
D198,431 S *	6/1964	Armstrong	.....	D23/301
D203,804 S *	2/1966	Armstrong	.....	D23/301
3,688,742 A *	9/1972	McGee	.....	119/162
3,757,738 A *	9/1973	Hall	.....	119/162
D237,884 S *	12/1975	Korol	.....	D23/301
D261,171 S *	10/1981	Cuttriss	.....	D23/301
4,631,759 A *	12/1986	Strasser	.....	4/252.1
4,794,653 A *	1/1989	Strasser	.....	4/252.1
5,134,727 A *	8/1992	Scott	.....	4/252.1
5,303,430 A *	4/1994	Fernie et al.	.....	4/254
D352,576 S *	11/1994	Trigoboff et al.	.....	D30/129
D353,229 S *	12/1994	Trigoboff et al.	.....	D30/121
D355,056 S *	1/1995	Burnet	.....	D30/132
5,458,089 A *	10/1995	Rymer	.....	119/162
D368,790 S *	4/1996	Sternberg	.....	D99/37
5,586,343 A	12/1996	Mayle	.....	
D378,625 S *	3/1997	Stone	.....	D30/129
5,680,710 A *	10/1997	Carnwath	.....	33/613
D386,250 S *	11/1997	Garza	.....	D23/301

D387,858 S *	12/1997	McKeone	.....	D23/301
D391,693 S *	3/1998	Janiak	.....	D30/129
D392,075 S *	3/1998	Holt	.....	D30/129
5,904,117 A	5/1999	Castro	.....	

(Continued)

**OTHER PUBLICATIONS**

Toilet Dog Bowl. <http://www.thegreenhead.com/2006/08/toilet-dog-bowl.php> Pub. Sep. 29, 2011.

*Primary Examiner* — Susan Moon Lee

(74) *Attorney, Agent, or Firm* — Robert C. Montgomery; Montgomery Patent & Design

(57) **CLAIM**

The ornamental design for a toilet bowl pet water dish, as shown and described.

**DESCRIPTION**

FIG. 1 is an isometric view of a toilet bowl pet water dish with the seat portion in a lowered position, wherein the broken lines illustrate hinges in the environment;

FIG. 2 is a front view of FIG. 1;

FIG. 3 is rear view FIG. 1;

FIG. 4 is a left-hand side view FIG. 1;

FIG. 5 is a right-hand side view FIG. 1;

FIG. 6 is a top view FIG. 1;

FIG. 7 is a bottom view FIG. 1;

FIG. 8 is an isometric view the toilet bowl pet water dish with the seat in a raised position, wherein the broken lines illustrate hinges in the environment;

FIG. 9 is a front view FIG. 8;

FIG. 10 is rear view FIG. 8;

FIG. 11 is a left-hand side view FIG. 8;

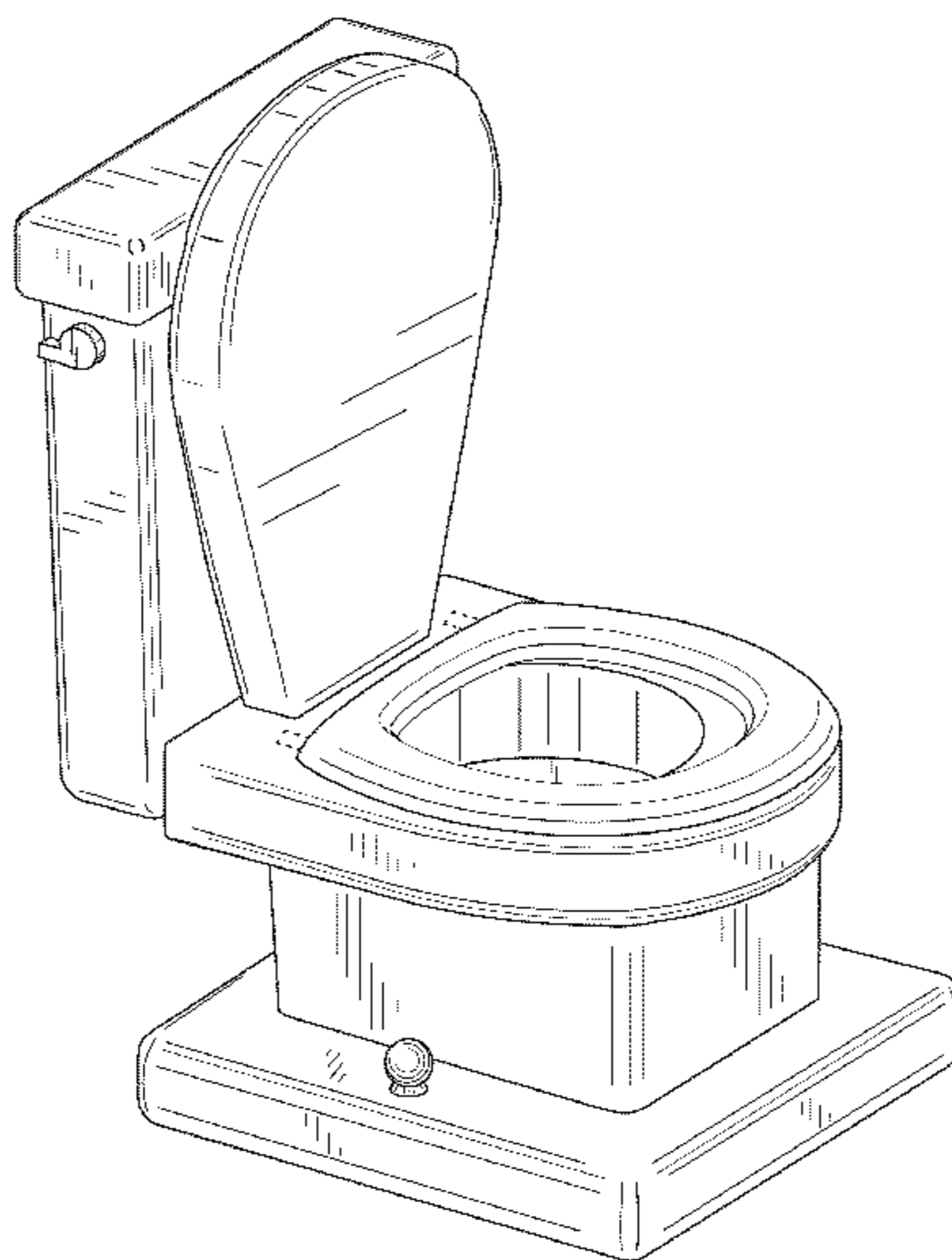
FIG. 12 is a right-hand side view FIG. 8;

FIG. 13 is a top view FIG. 8; and,

FIG. 14 is a bottom view FIG. 8.

The broken lines shown in the drawings illustrate the environment of the article and form no part of the claimed design.

**1 Claim, 14 Drawing Sheets**



(56)

**References Cited**

U.S. PATENT DOCUMENTS

D422,065 S \* 3/2000 Kawamura ..... D23/301  
6,101,977 A \* 8/2000 Matz ..... 119/74  
6,145,473 A \* 11/2000 Keisner ..... 119/53  
6,205,950 B1 3/2001 Thompson, Jr.  
D441,507 S \* 5/2001 Gholston et al. .... D32/14  
D445,967 S \* 7/2001 Keisner ..... D30/121

6,253,709 B1 \* 7/2001 King ..... 119/74  
6,446,576 B1 \* 9/2002 King ..... 119/162  
D523,126 S \* 6/2006 Bates ..... D23/295  
D533,927 S \* 12/2006 Kakhana ..... D23/301  
D543,664 S \* 5/2007 Farrell ..... D30/121  
D557,866 S \* 12/2007 Eisel et al. .... D30/129  
D559,033 S \* 1/2008 Gentile ..... D7/359  
8,082,604 B2 12/2011 Isaac

\* cited by examiner

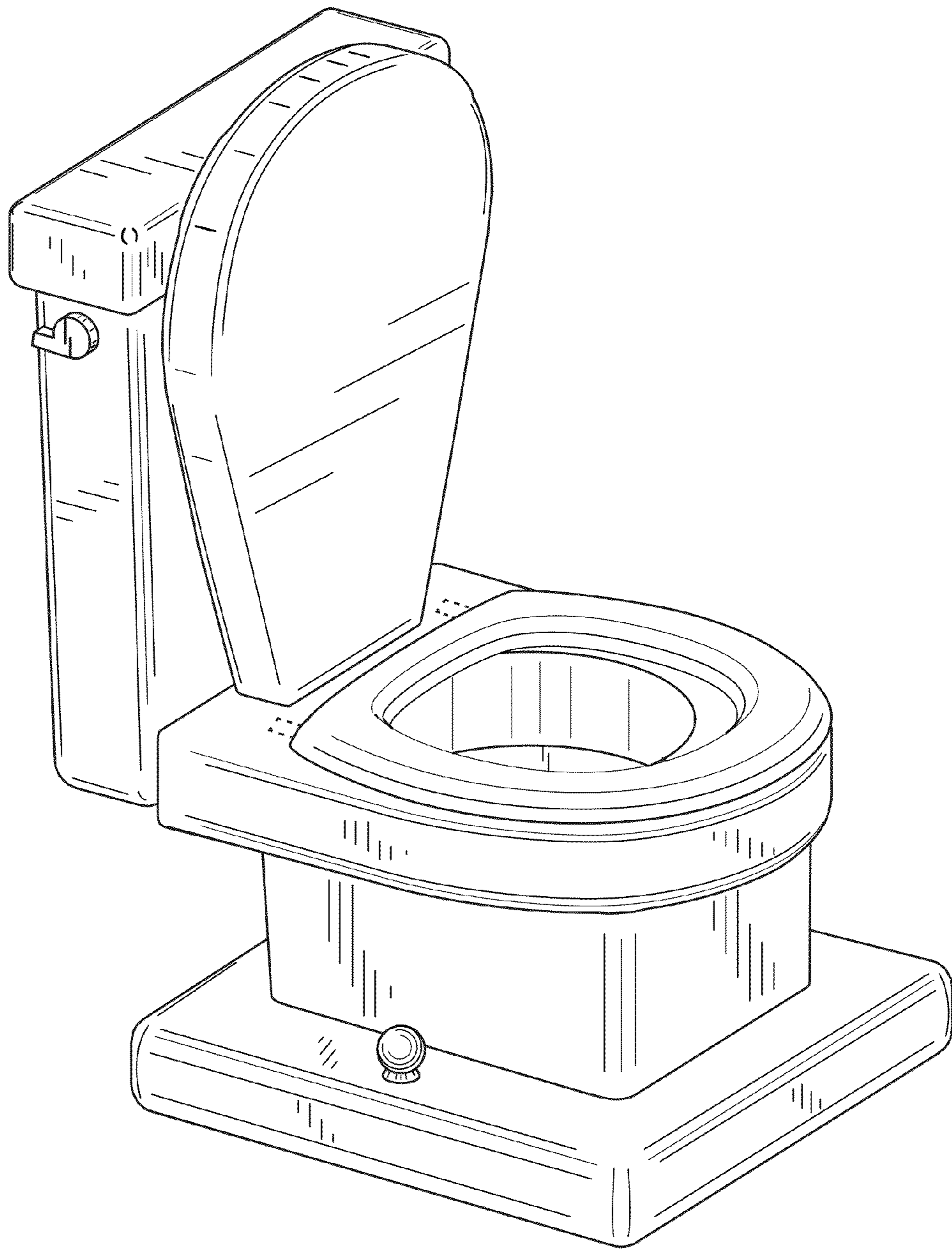


Fig. 1

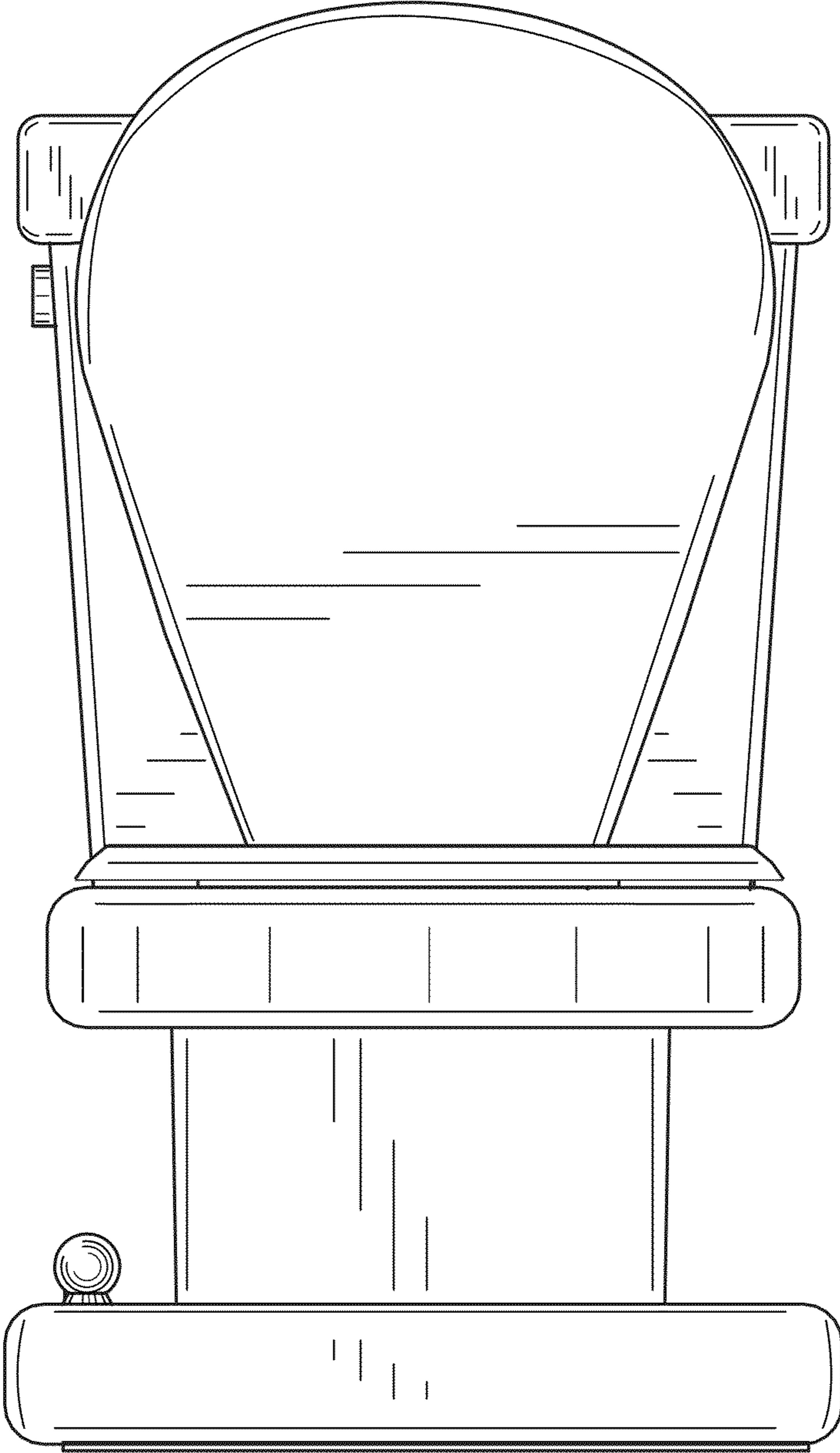


Fig. 2

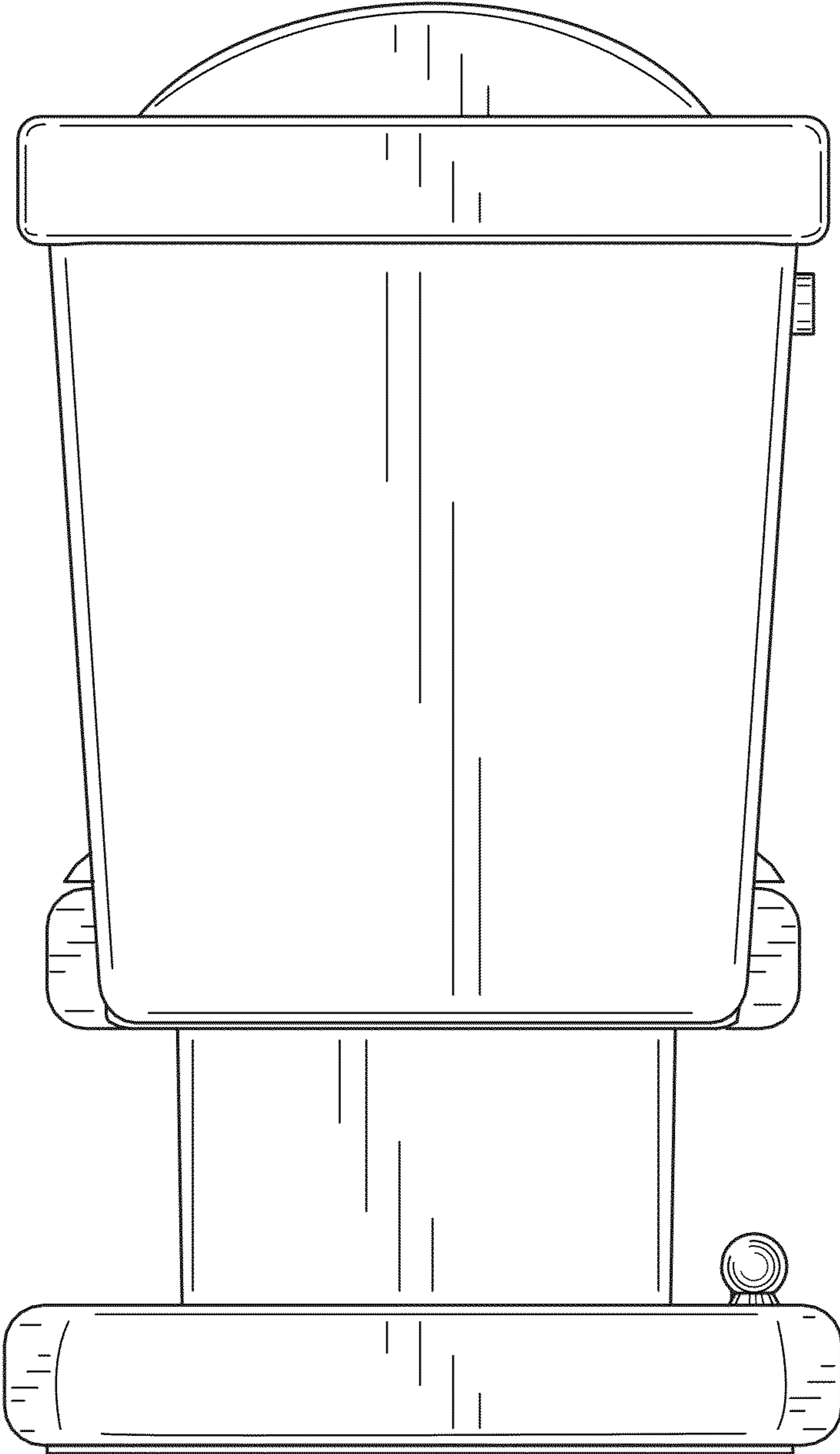


Fig. 3

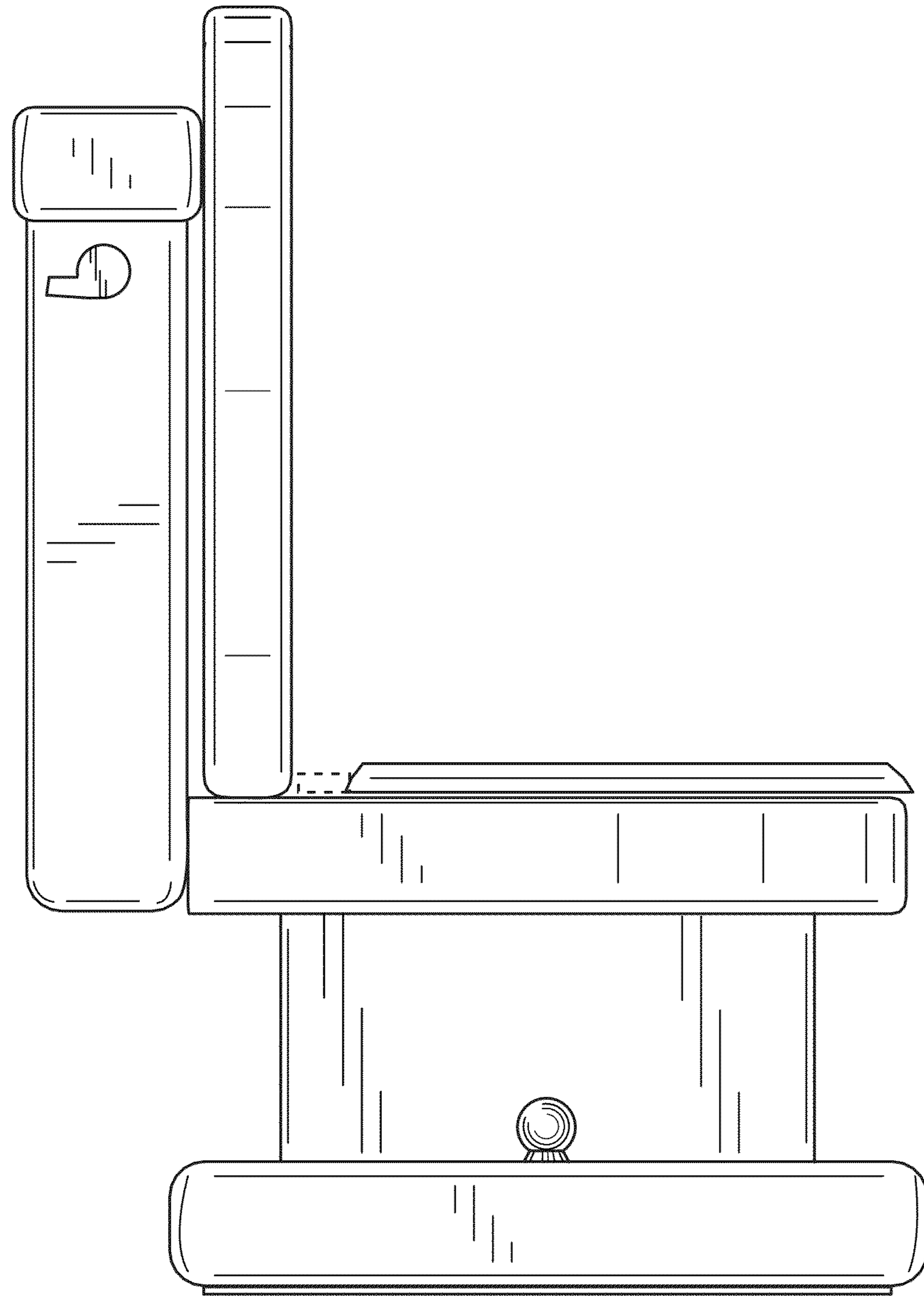


Fig. 4

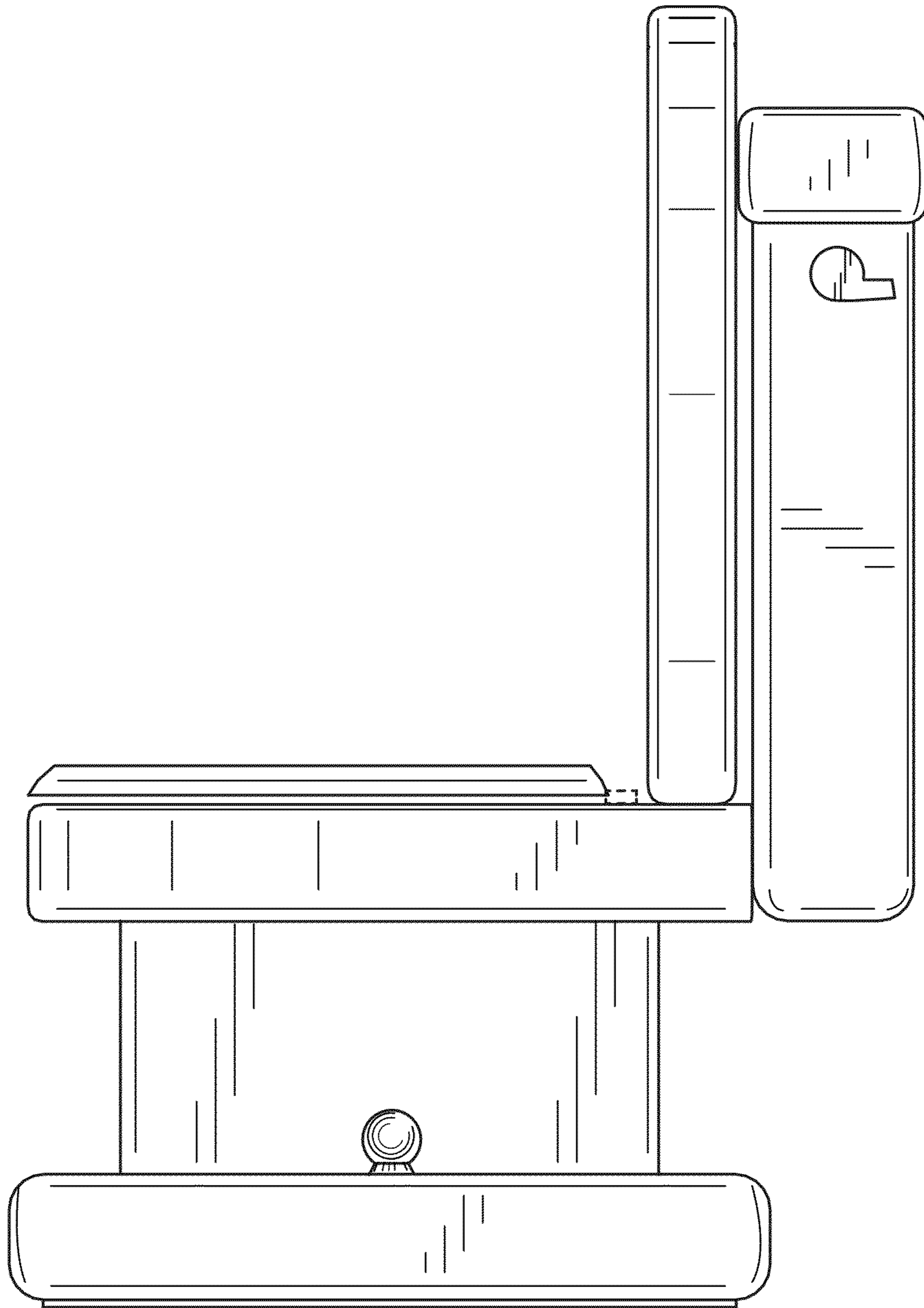


Fig. 5

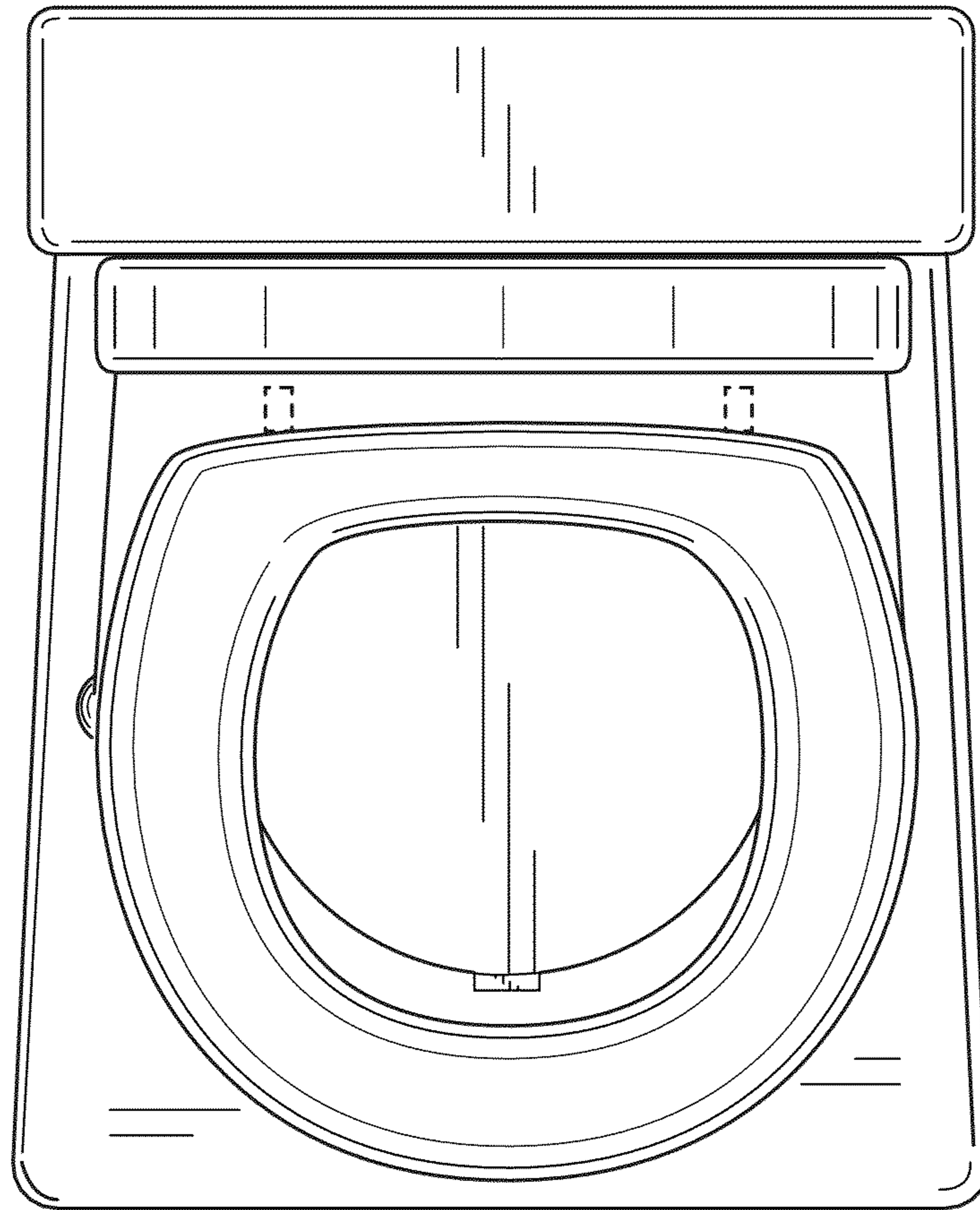


Fig. 6



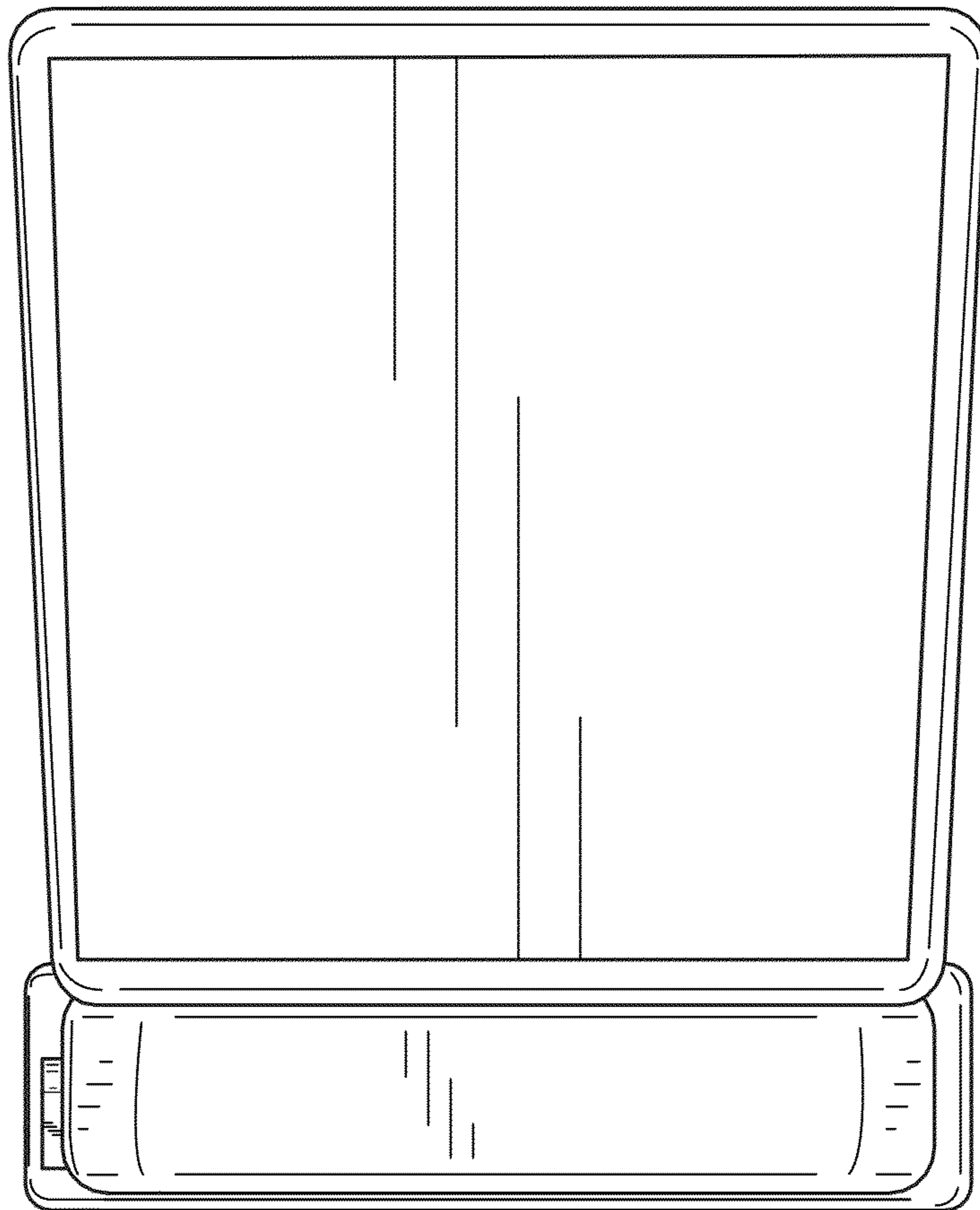


Fig. 7

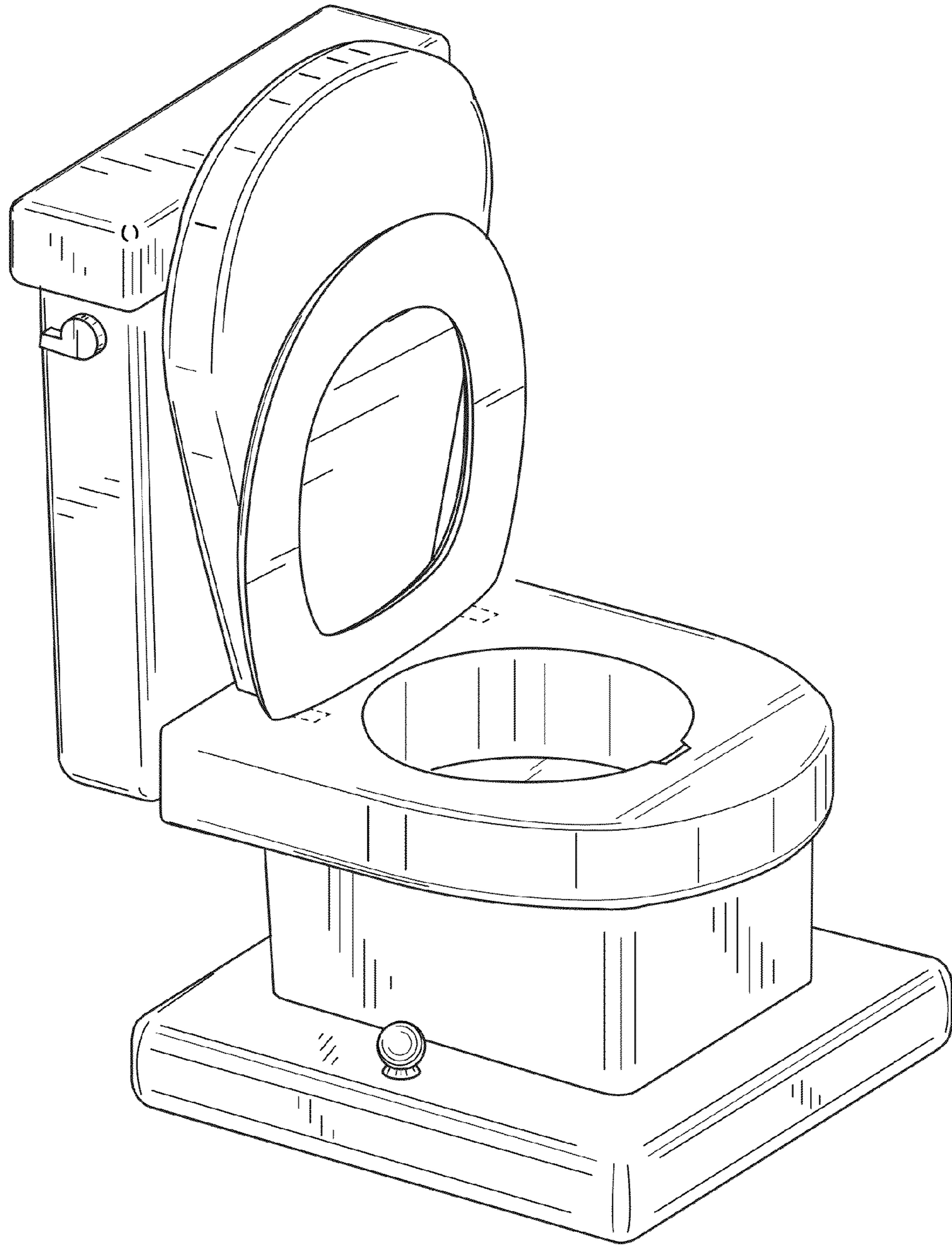


Fig. 8

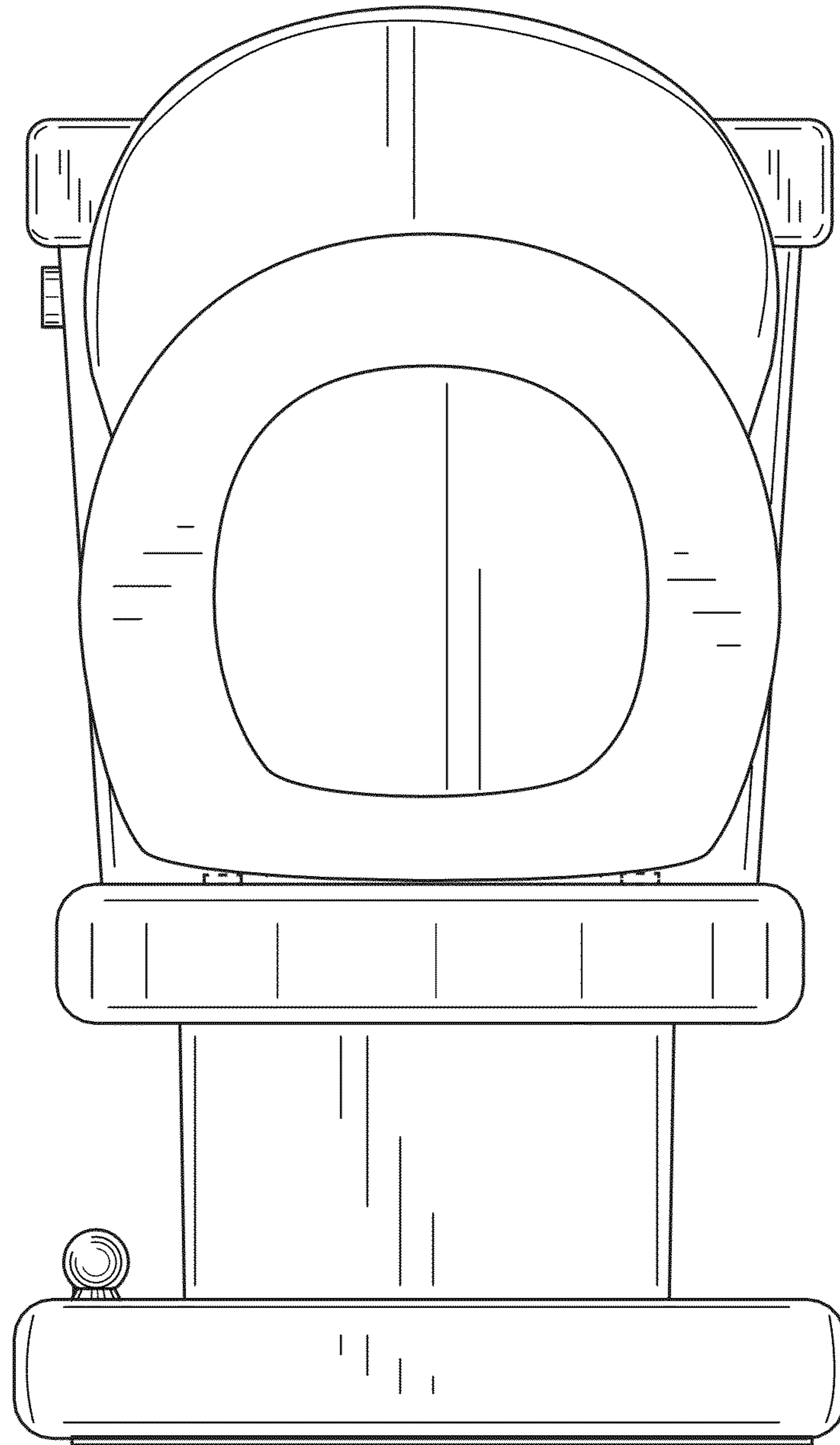


Fig. 9

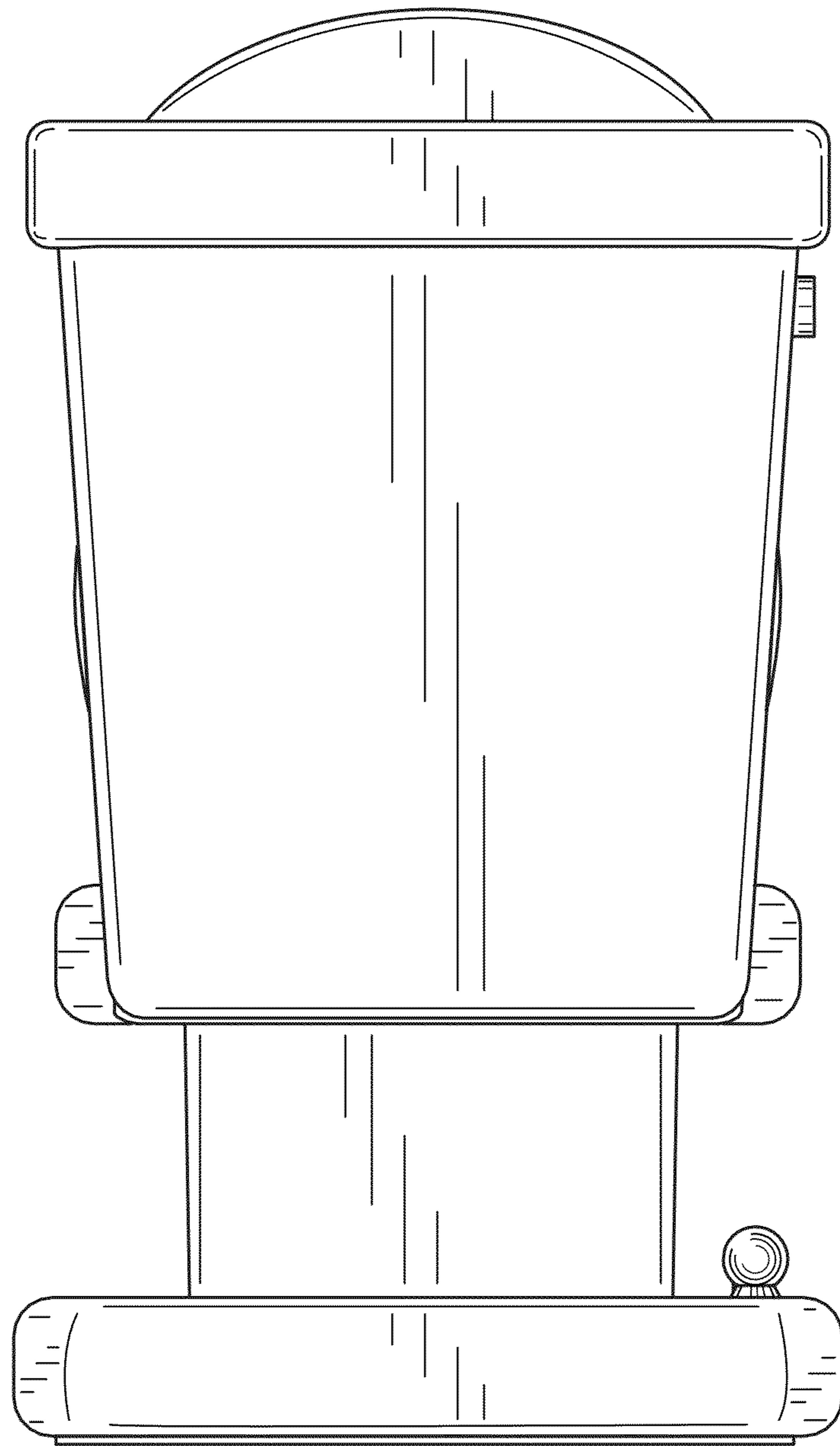


Fig. 10

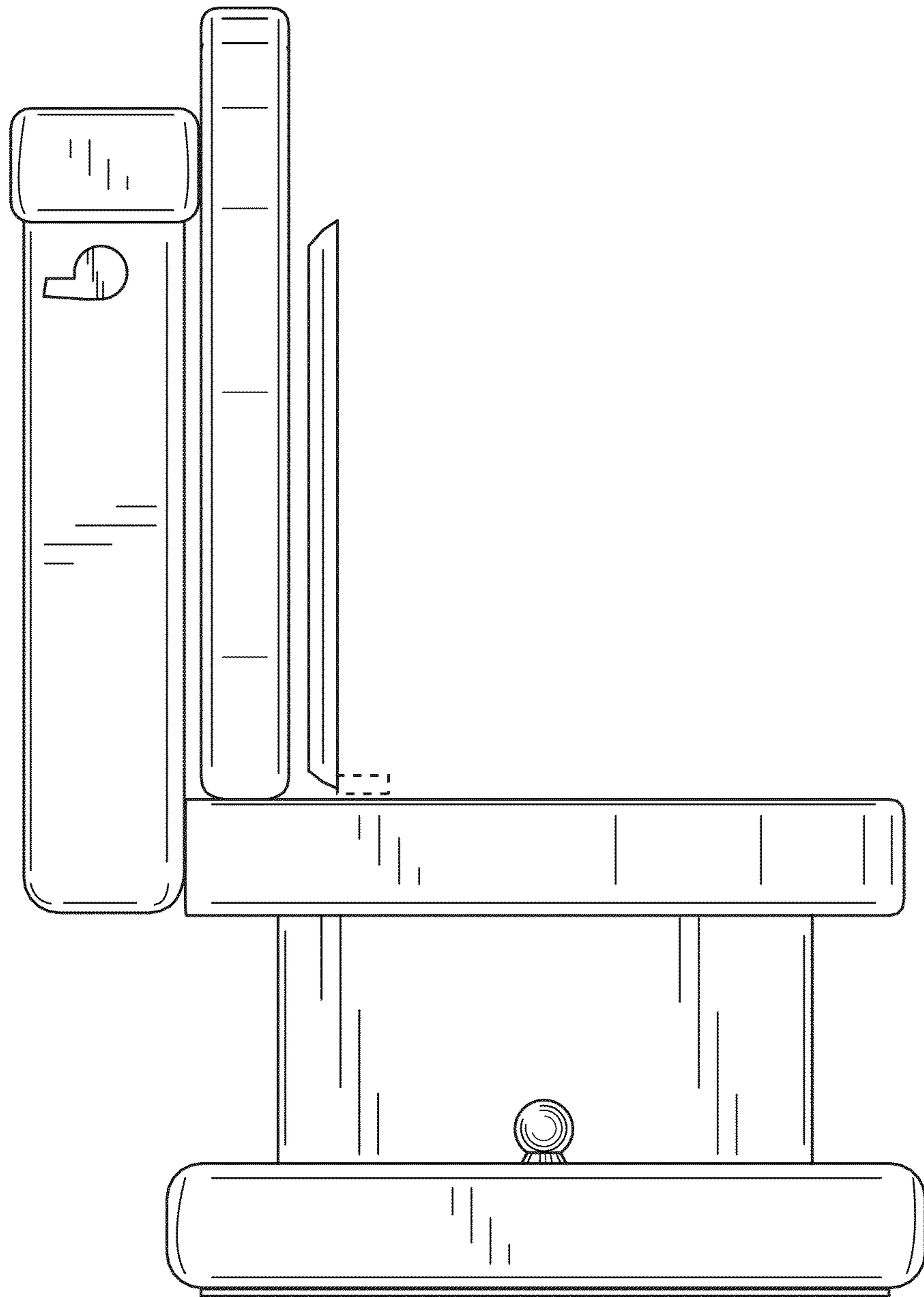


Fig. 11

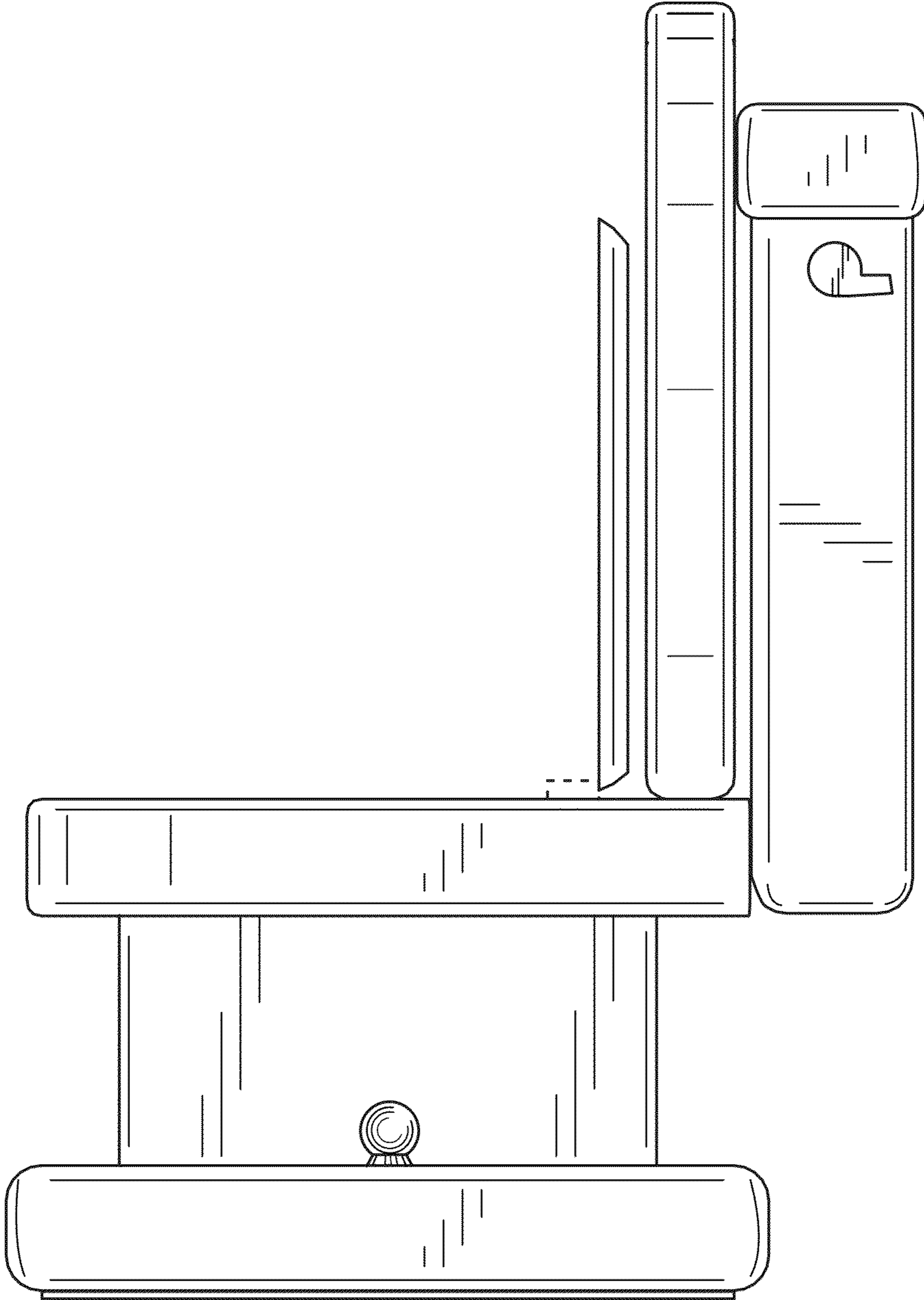


Fig. 12

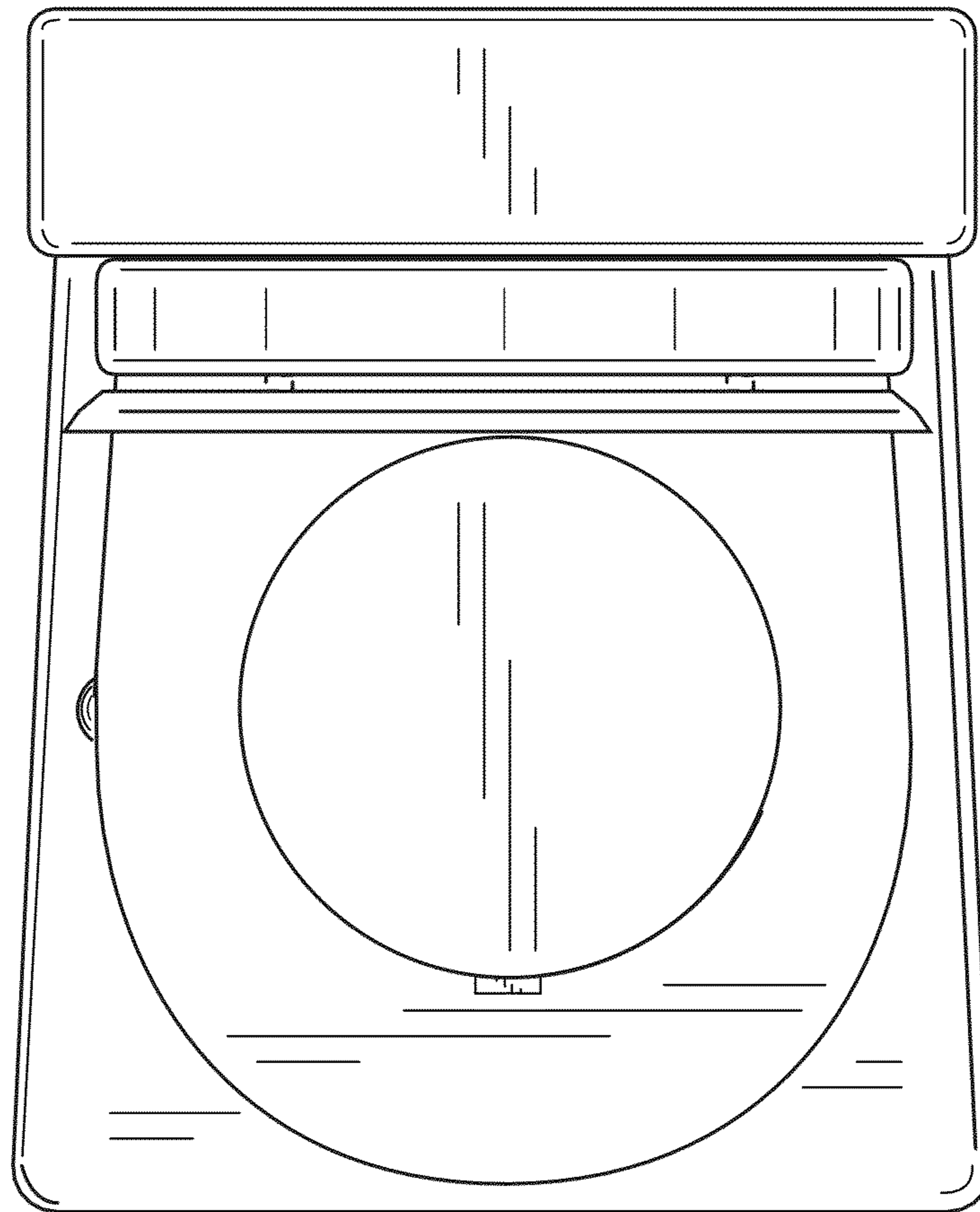


Fig. 13

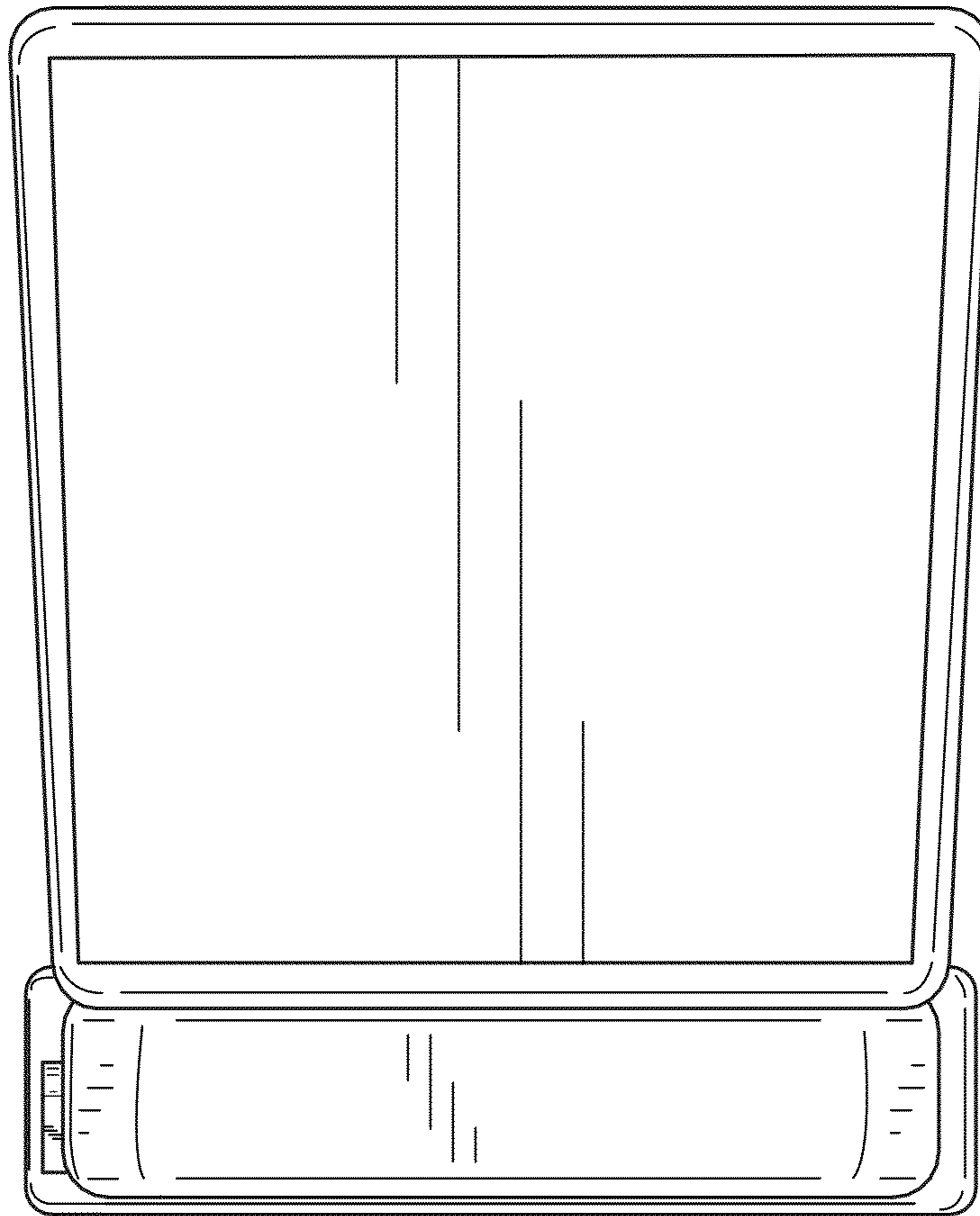


Fig. 14