



US00D720503S

(12) **United States Design Patent**
Lloyd

(10) **Patent No.:** **US D720,503 S**

(45) **Date of Patent:** **** *Dec. 30, 2014**

- (54) **PET BATH AND CARRIER**
- (71) Applicant: **Michael Lloyd**, Chicago, IL (US)
- (72) Inventor: **Michael Lloyd**, Chicago, IL (US)
- (*) Notice: This patent is subject to a terminal disclaimer.
- (**) Term: **14 Years**
- (21) Appl. No.: **29/455,580**
- (22) Filed: **May 22, 2013**
- (51) **LOC (10) Cl.** **30-02**
- (52) **U.S. Cl.**
USPC **D30/109**
- (58) **Field of Classification Search**
CPC A01K 1/00; A01K 1/03; A01K 15/02;
A01K 29/00; A01K 31/07; A01K 31/08;
B62B 1/00; B62B 3/02; B62B 3/12; B62B
2202/42
USPC D30/108-109; D12/129; 119/452-453,
119/474, 482, 489, 491, 496-498, 500, 513,
119/650, 673, 678, 712, 751, 664, 671, 675
See application file for complete search history.

D294,985	S	*	3/1988	Blieden	D30/109
5,243,931	A	*	9/1993	McDonough	119/671
5,357,900	A	*	10/1994	Ho	119/479
D356,253	S	*	3/1995	Bacchetti et al.	D30/108
5,603,288	A	*	2/1997	Ferber	119/751
5,632,231	A	*	5/1997	Moore	119/671
D395,101	S	*	6/1998	Paci	D30/109
5,803,018	A	*	9/1998	Liou	119/461
6,131,534	A	*	10/2000	Axelrod	119/499
D469,929	S	*	2/2003	Licciardello	D30/109
6,863,030	B2	*	3/2005	Axelrod	119/498
7,021,242	B2	*	4/2006	Axelrod	119/496
7,040,254	B1	*	5/2006	Rucker et al.	119/675
D523,183	S	*	6/2006	Harrington	D30/109
D558,406	S	*	12/2007	King	D30/109
7,392,764	B2	*	7/2008	Saavedra et al.	119/497
7,421,978	B2	*	9/2008	Price	119/671
D578,876	S	*	10/2008	Ambelang et al.	D9/418
7,861,458	B2	*	1/2011	Apps et al.	119/474
D665,951	S	*	8/2012	Lloyd	D30/109
2001/0029900	A1	*	10/2001	Weber	119/453

* cited by examiner

Primary Examiner — Cathy A MacCormac

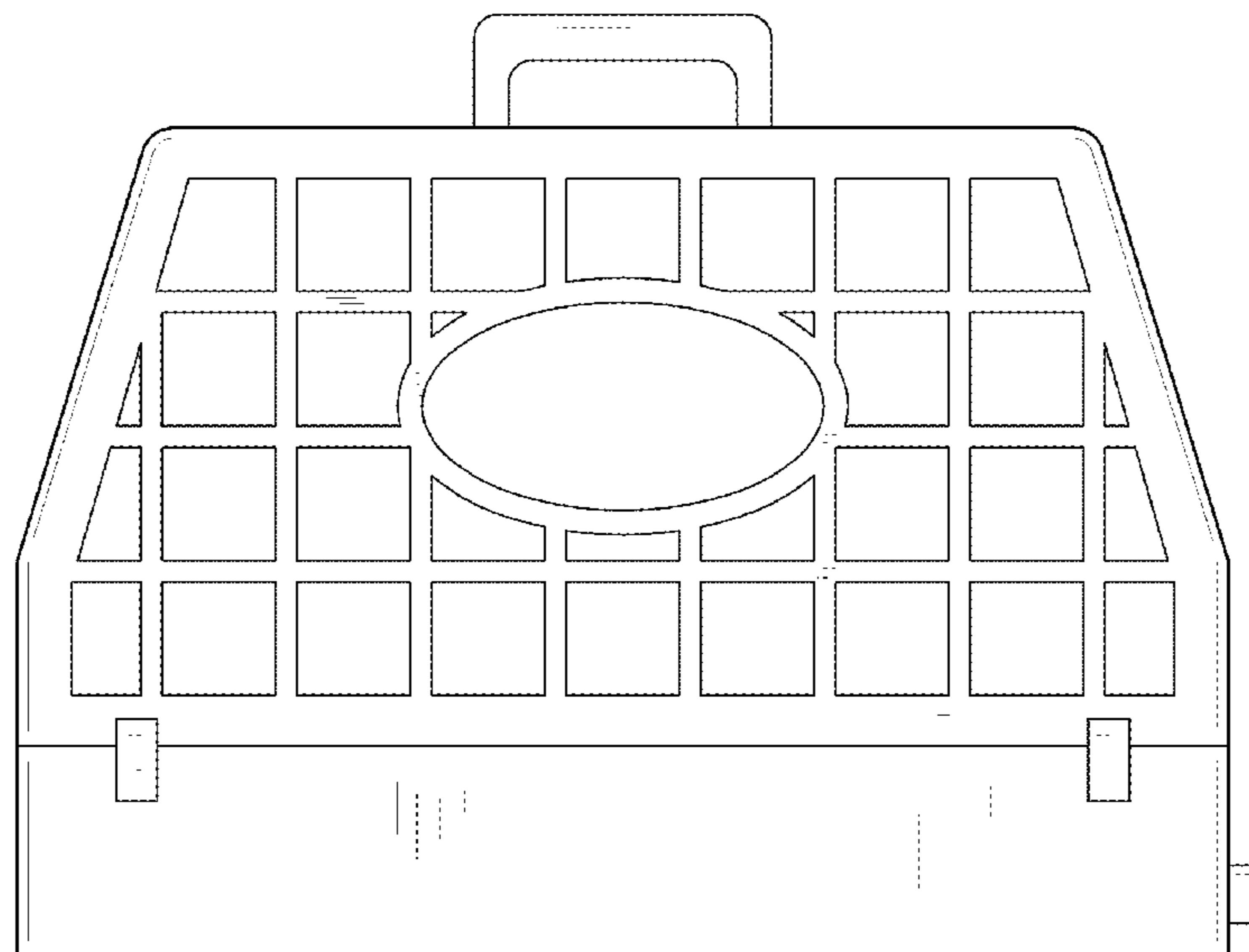
(57) **CLAIM**
I claim the ornamental design for a pet bath and carrier, as shown and described.

DESCRIPTION

FIG. 1 is a right side view of the pet bath and carrier.
FIG. 2 is a left side view of the claimed design.
FIG. 3 is a front side view of the claimed design.
FIG. 4 is a rear view of the claimed design.
FIG. 5 is a top view of the claimed design.
FIG. 6 is a bottom view of the claimed design; and,
FIG. 7 is a perspective view of the claimed design.

1 Claim, 7 Drawing Sheets

- (56) **References Cited**
U.S. PATENT DOCUMENTS
809,559 A * 1/1906 Gault 119/453
D211,526 S * 6/1968 Ikelhelmer D30/109
3,749,064 A * 7/1973 Weinstein et al. 119/664
3,834,352 A * 9/1974 Gervis 119/453
3,941,092 A * 3/1976 Winters 119/497
4,057,032 A * 11/1977 Dimitriadis 119/671
4,484,540 A * 11/1984 Yamamoto 119/497



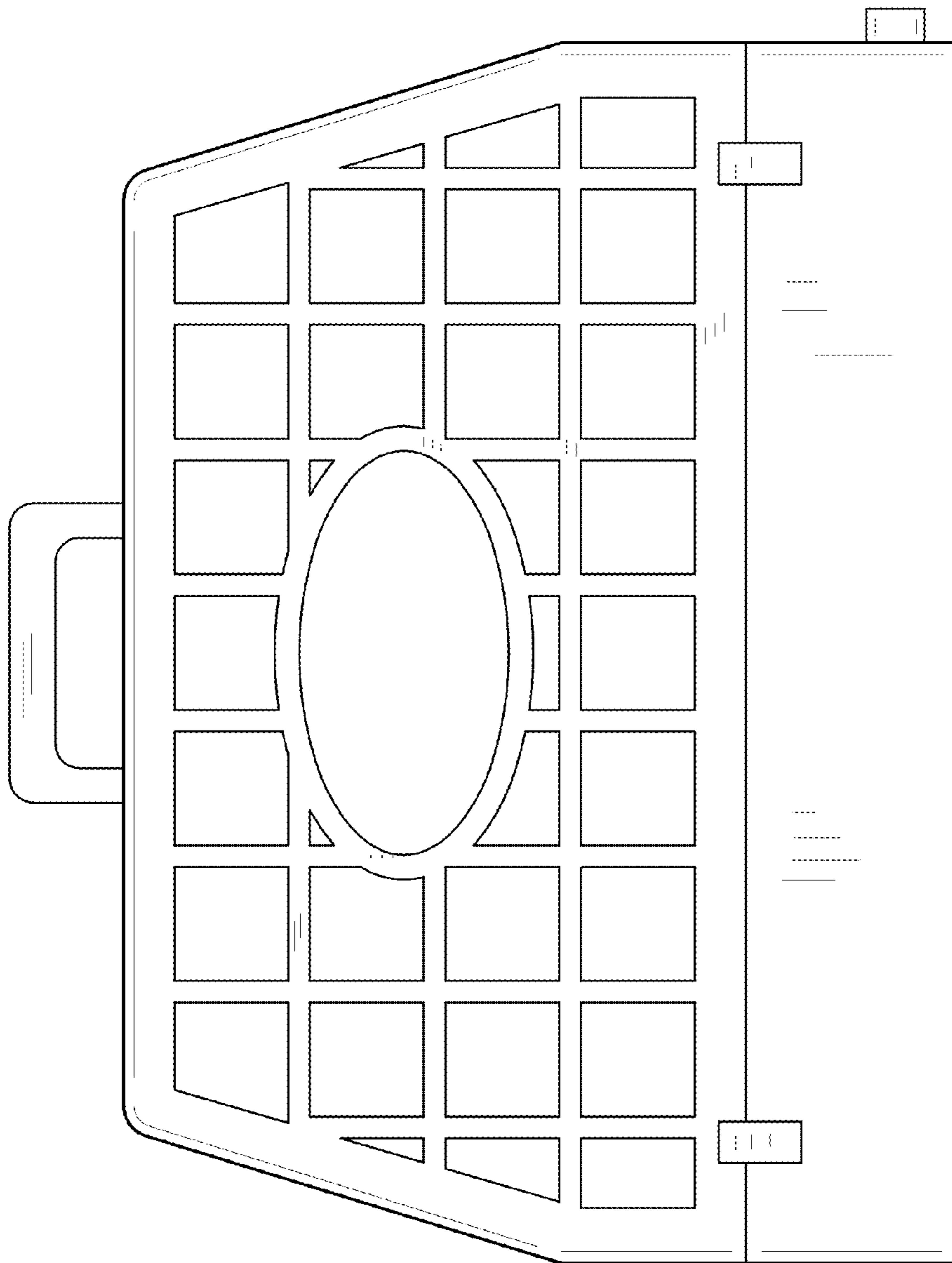


FIG. 1

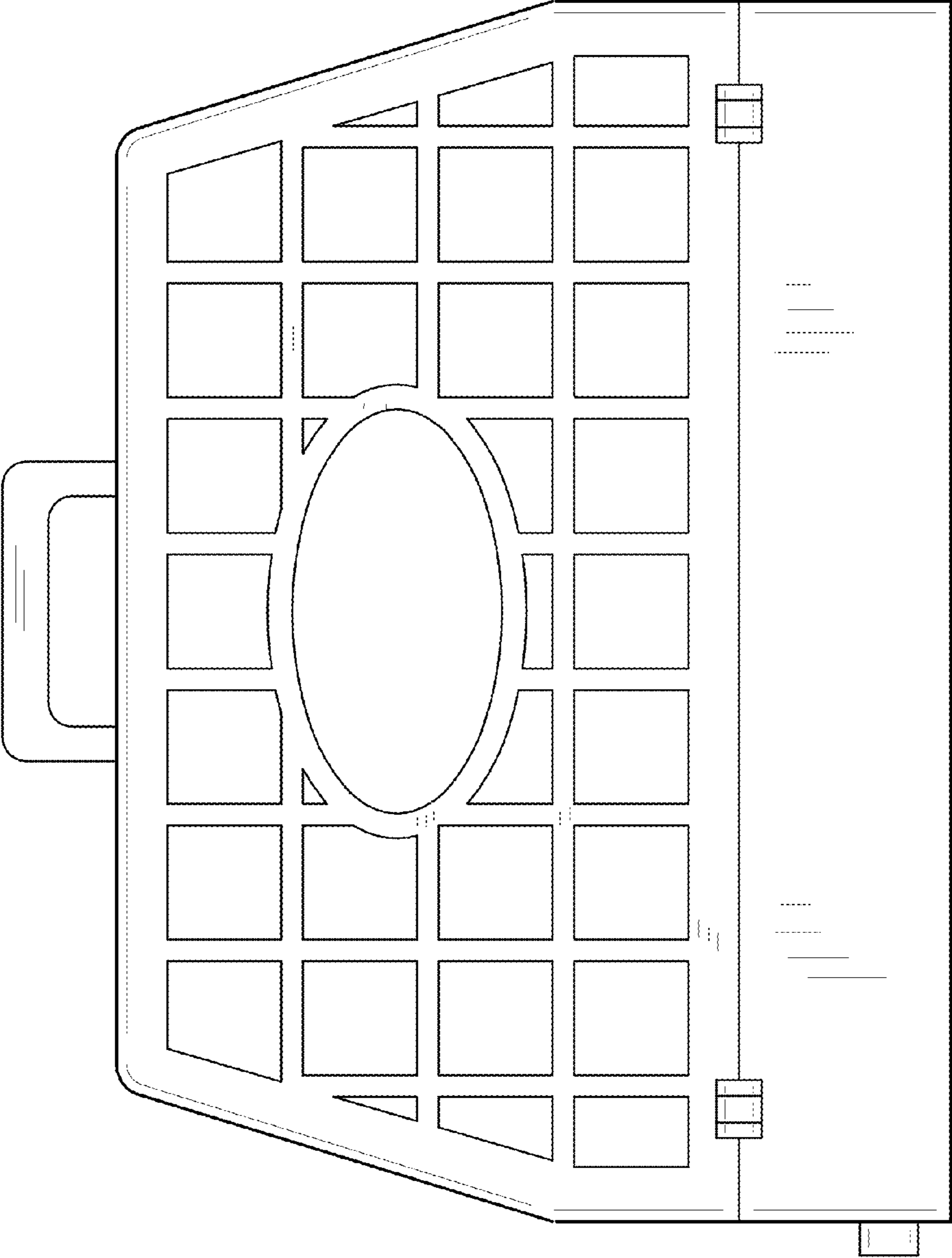


FIG. 2

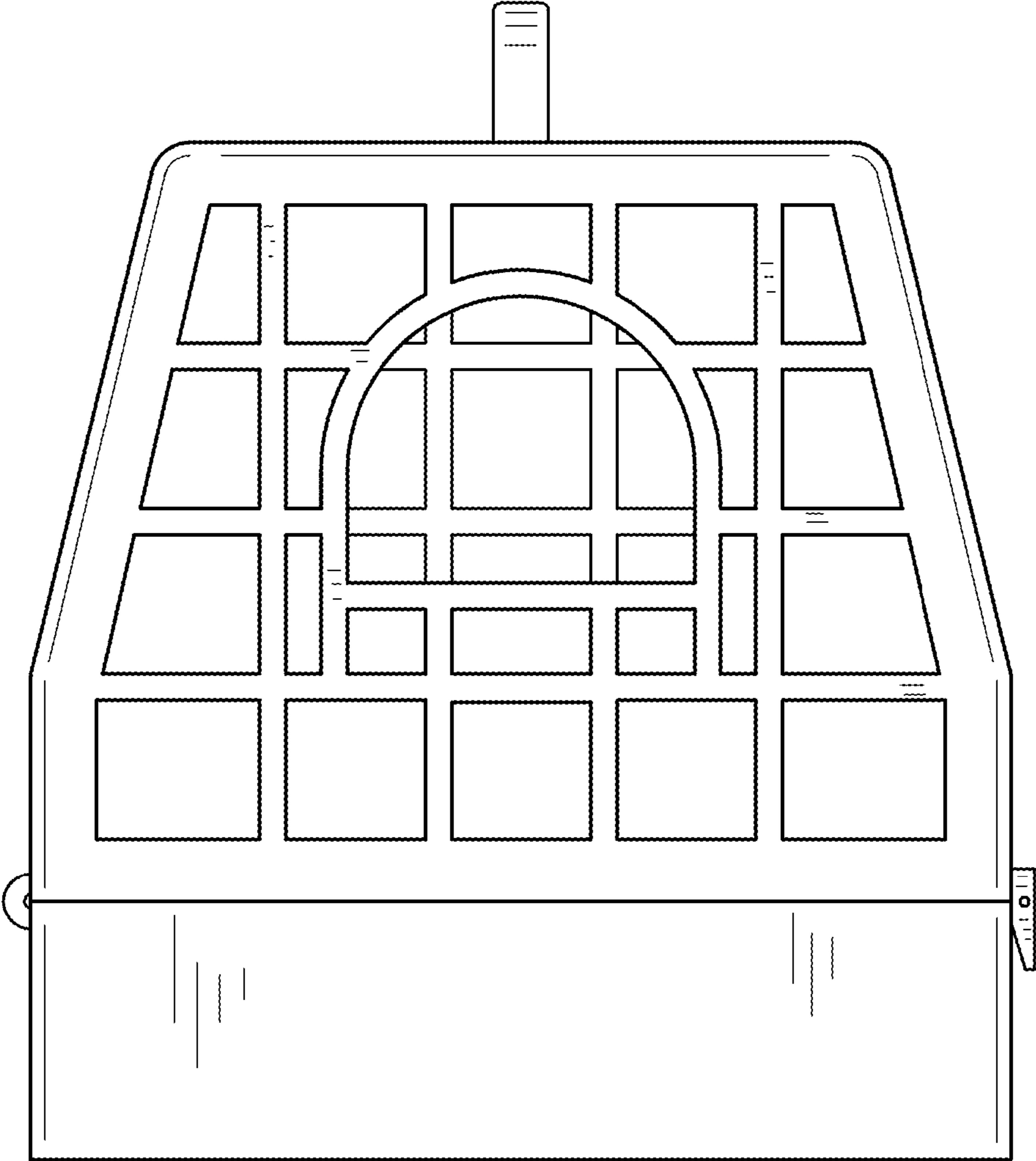


FIG. 3

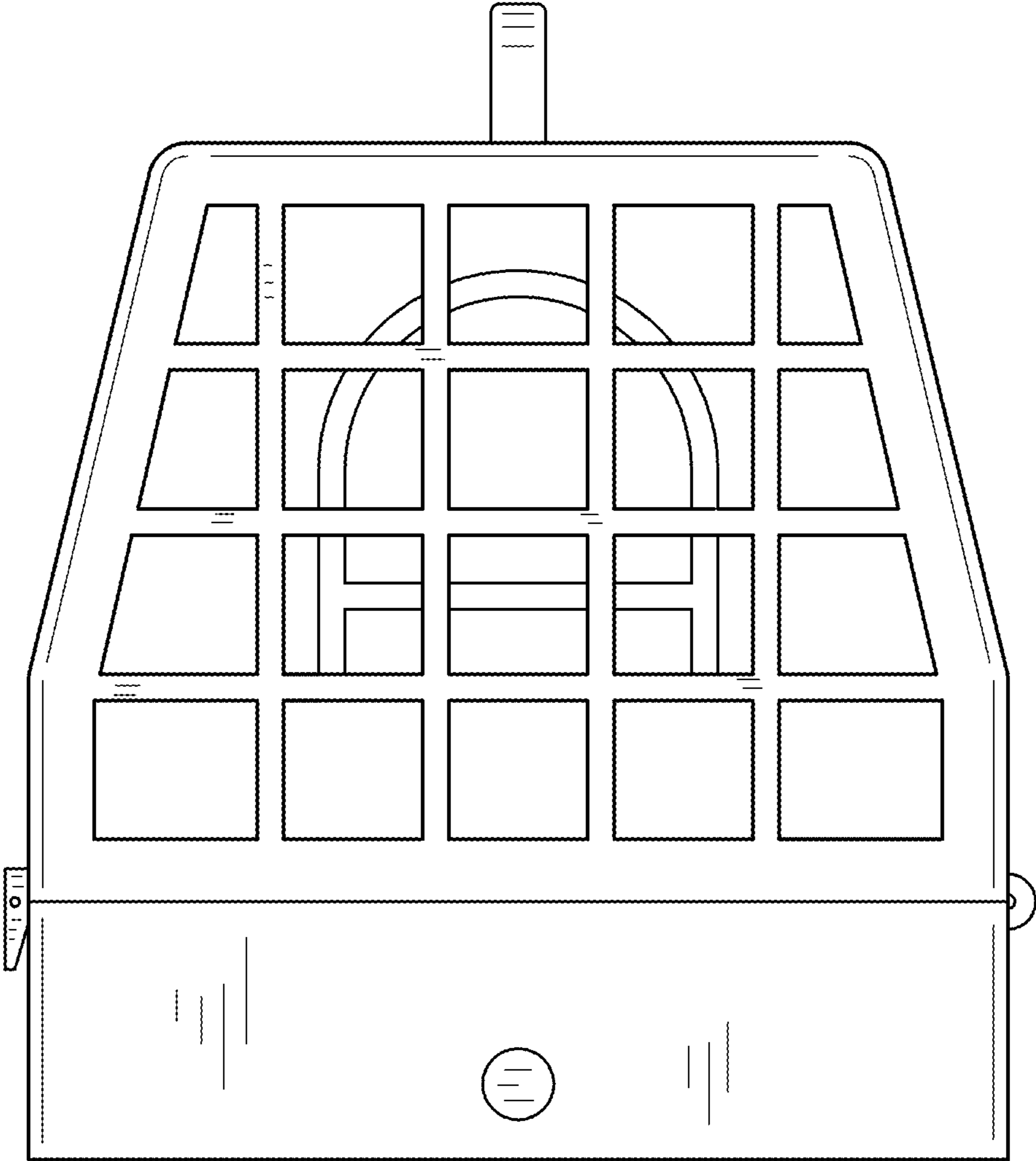


FIG. 4

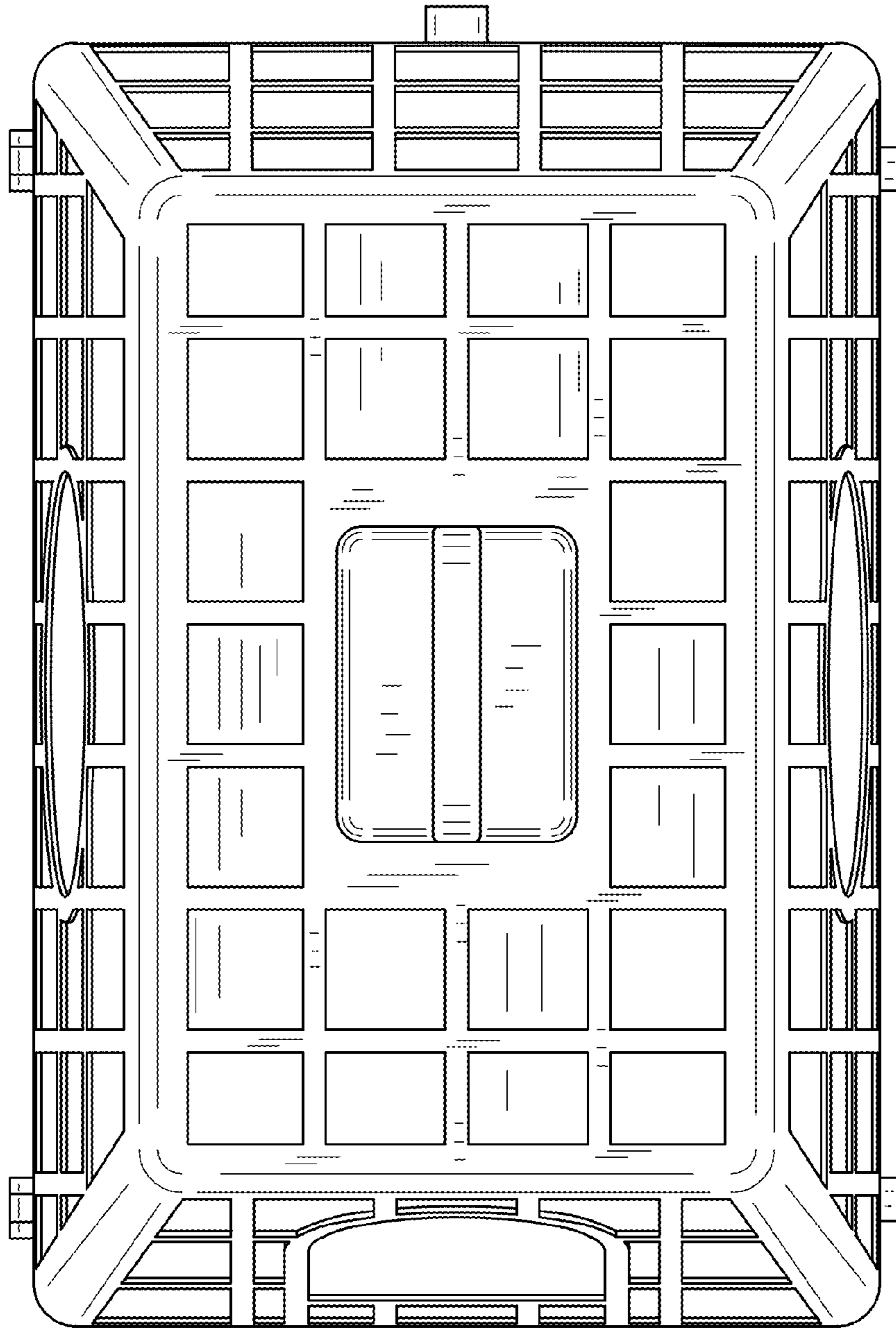


FIG. 5

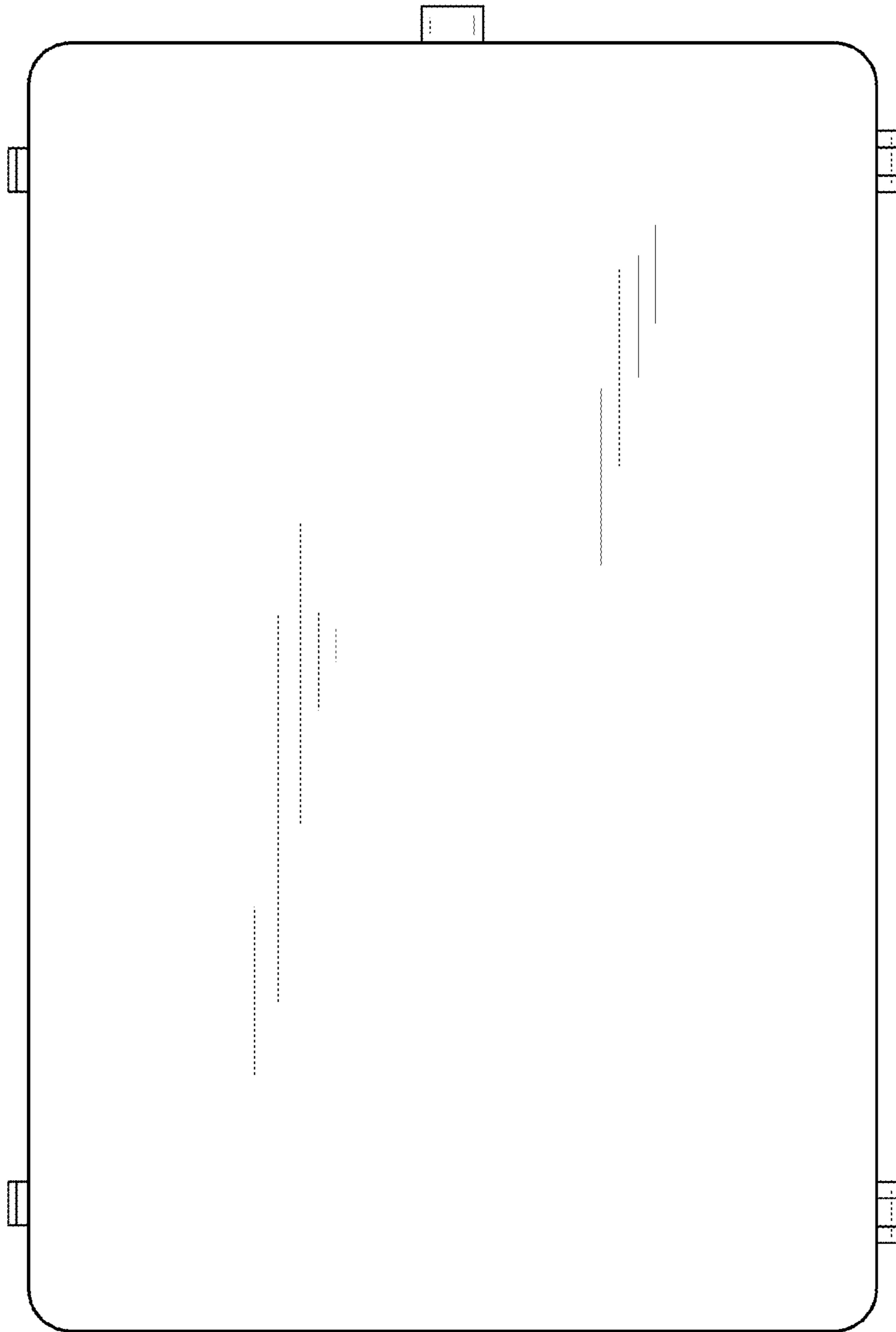


FIG. 6

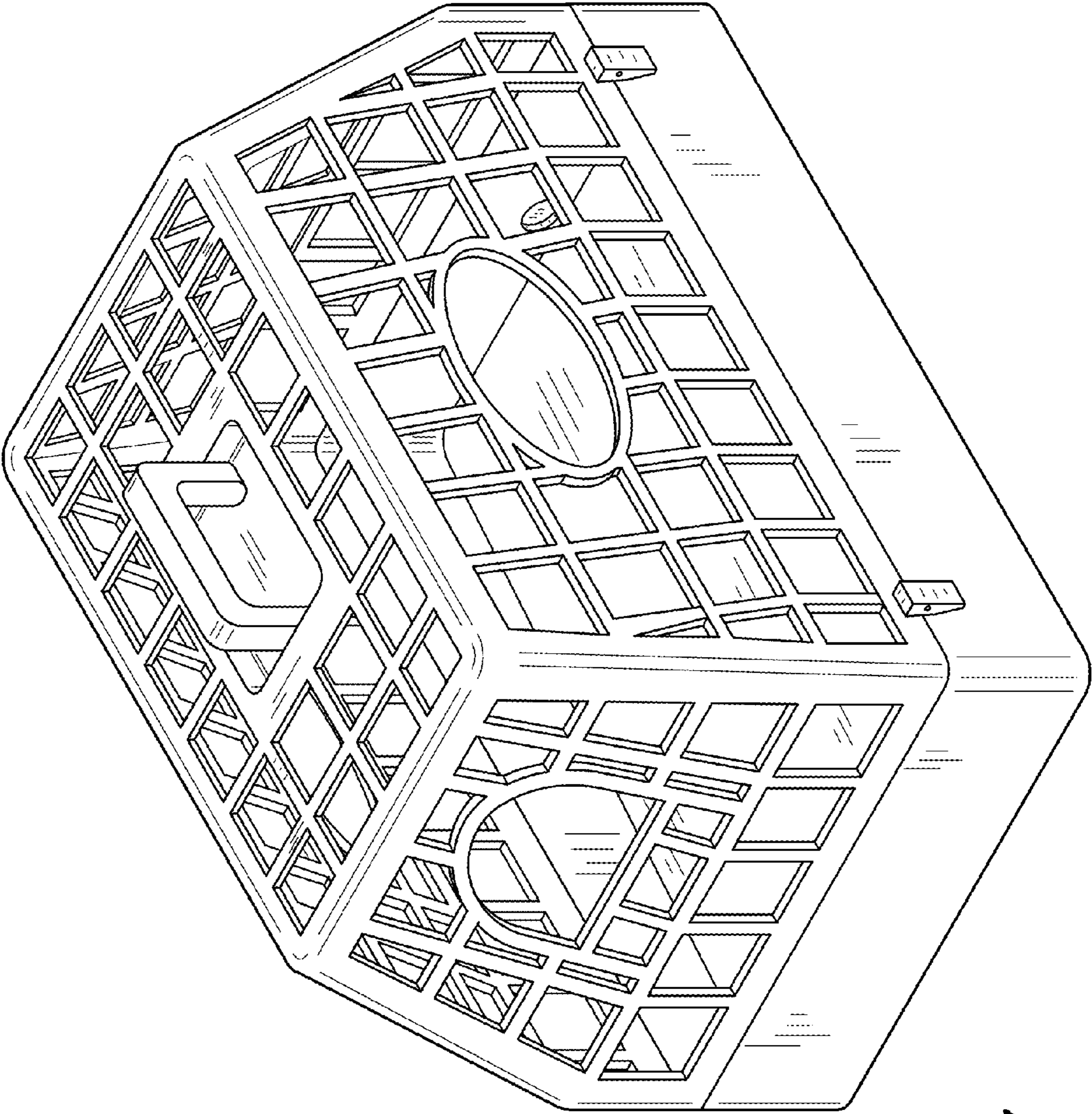


FIG. 7