



US00D720502S

(12) **United States Design Patent**
Schrock

(10) **Patent No.:** **US D720,502 S**

(45) **Date of Patent:** **** Dec. 30, 2014**

(54) **HARD HAT ALL CLIMATE ACCESSORY BRIM**

(71) Applicant: **Paul Schrock**, Riverton, WY (US)

(72) Inventor: **Paul Schrock**, Riverton, WY (US)

(**) Term: **14 Years**

(21) Appl. No.: **29/470,897**

(22) Filed: **Oct. 25, 2013**

(51) **LOC (10) Cl.** **02-03**

(52) **U.S. Cl.**
USPC **D29/122**

(58) **Field of Classification Search**
None
See application file for complete search history.

(56) **References Cited**

U.S. PATENT DOCUMENTS

317,972	A *	5/1885	Cary	2/175.6
D49,509	S *	8/1916	Cook	D2/886
1,238,615	A *	8/1917	Wolf	2/175.5
D66,331	S *	12/1924	Pegg	D2/877
2,845,289	A *	7/1958	Cicogna	2/257
4,993,081	A	2/1991	Fulghum		
5,548,846	A	8/1996	Bianchetti		
D379,679	S *	6/1997	Poole	D29/122
5,727,250	A *	3/1998	Black	2/10
5,862,520	A *	1/1999	Wyant	2/10
6,151,712	A *	11/2000	Lampi	2/10
6,374,423	B1 *	4/2002	Anderson et al.	2/425
6,484,323	B1 *	11/2002	Pu	2/410
6,546,559	B1	4/2003	Bronson		
D487,953	S *	4/2004	Trudeau	D2/886

D524,517	S *	7/2006	Javits, Jr.	D2/875
D525,413	S *	7/2006	Javits, Jr.	D2/875
D531,784	S *	11/2006	Snyder et al.	D2/891
D617,539	S *	6/2010	Boles	D2/893
D638,585	S *	5/2011	Brown	D29/122
D659,292	S *	5/2012	Bryan et al.	D29/122
D672,096	S *	12/2012	Bryan et al.	D29/122
2007/0174949	A1 *	8/2007	Howells	2/171
2012/0005795	A1	1/2012	Tilley		
2012/0210491	A1	8/2012	Bryan		

* cited by examiner

Primary Examiner — Ruth McInroy

(74) *Attorney, Agent, or Firm* — QuickPatents; Kevin Prince

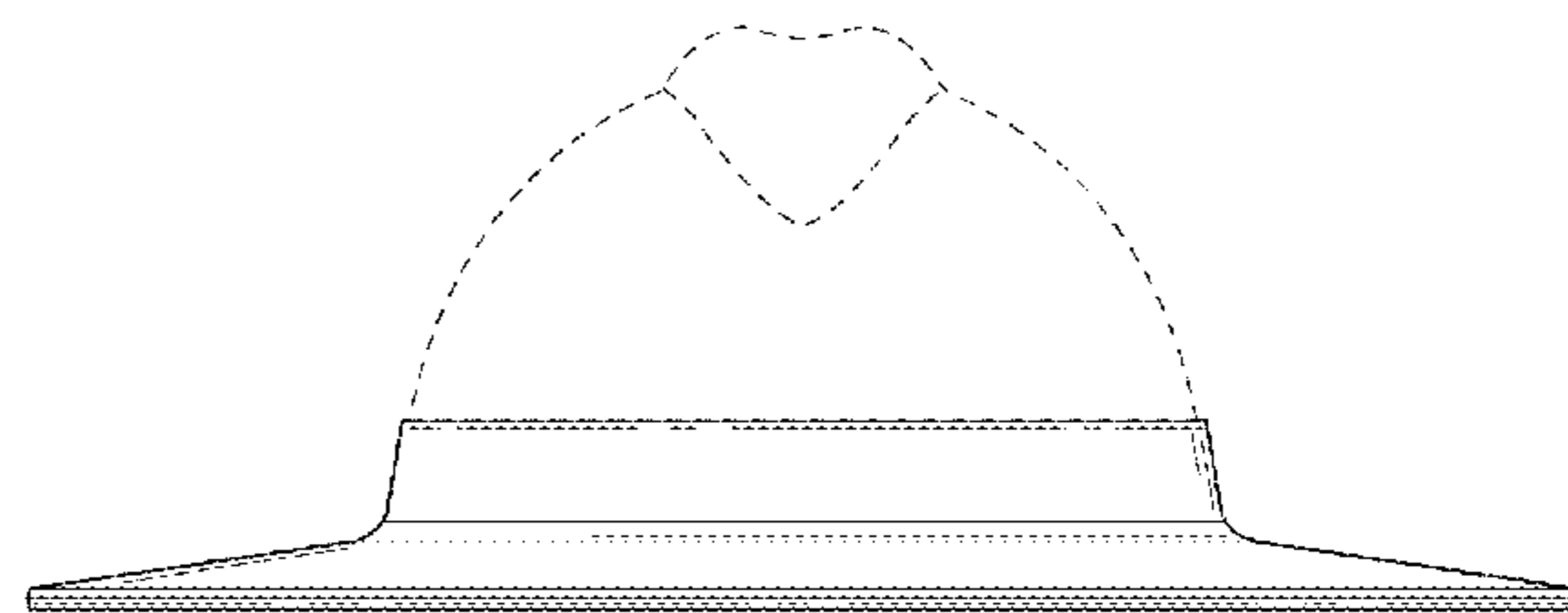
(57) **CLAIM**

I claim the ornamental design for a hard hat all climate accessory brim, as shown and described.

DESCRIPTION

FIG. 1 is a perspective view of a hard hat all climate accessory brim showing my new design;
 FIG. 2 is a front elevation view thereof;
 FIG. 3 is a rear elevation view thereof;
 FIG. 4 is a right-side elevation view thereof, the left-side elevation view being a mirror image;
 FIG. 5 is a top plan view thereof;
 FIG. 6 is a bottom plan view thereof; and,
 FIG. 7 is a cross-sectional view taken along line 7-7 in FIG. 6.
 The broken lines showing a person, hard hat and logo depict environmental matter which forms no part of the claimed design.

1 Claim, 3 Drawing Sheets



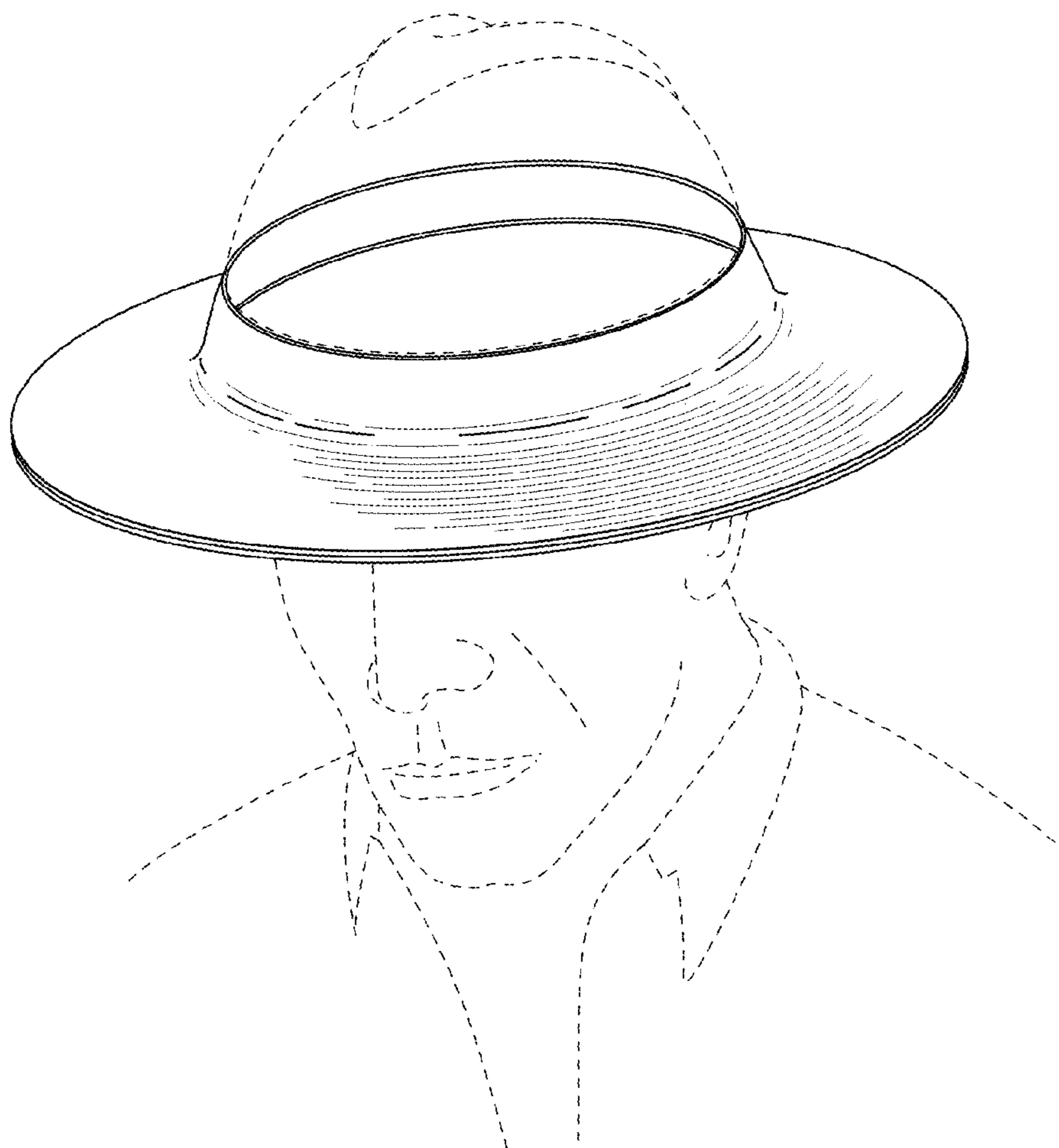


FIG. 1

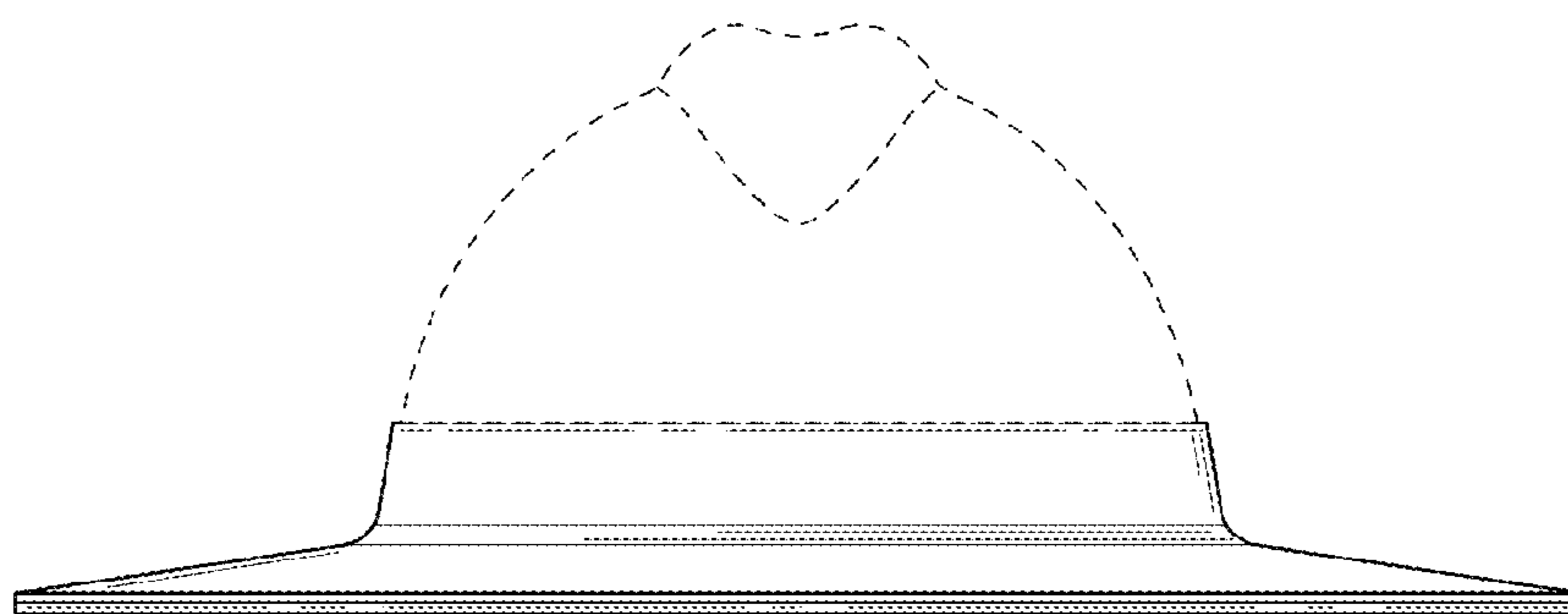


FIG. 2

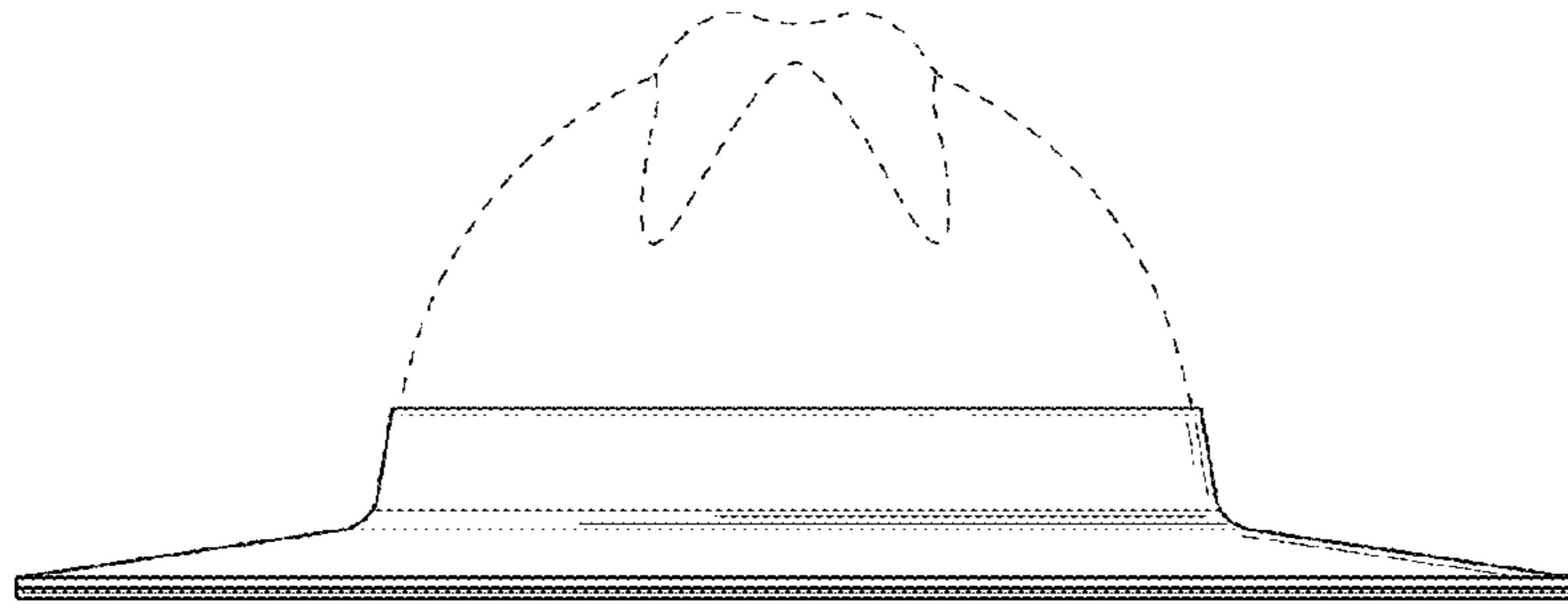


FIG. 3

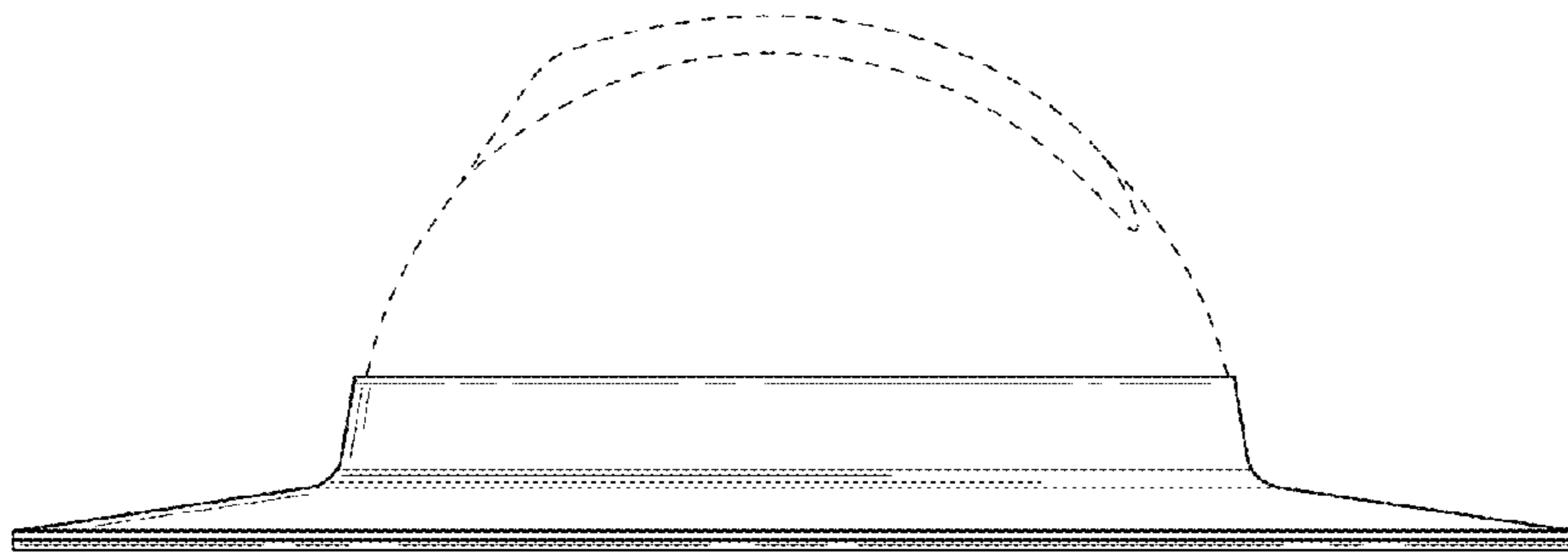


FIG. 4

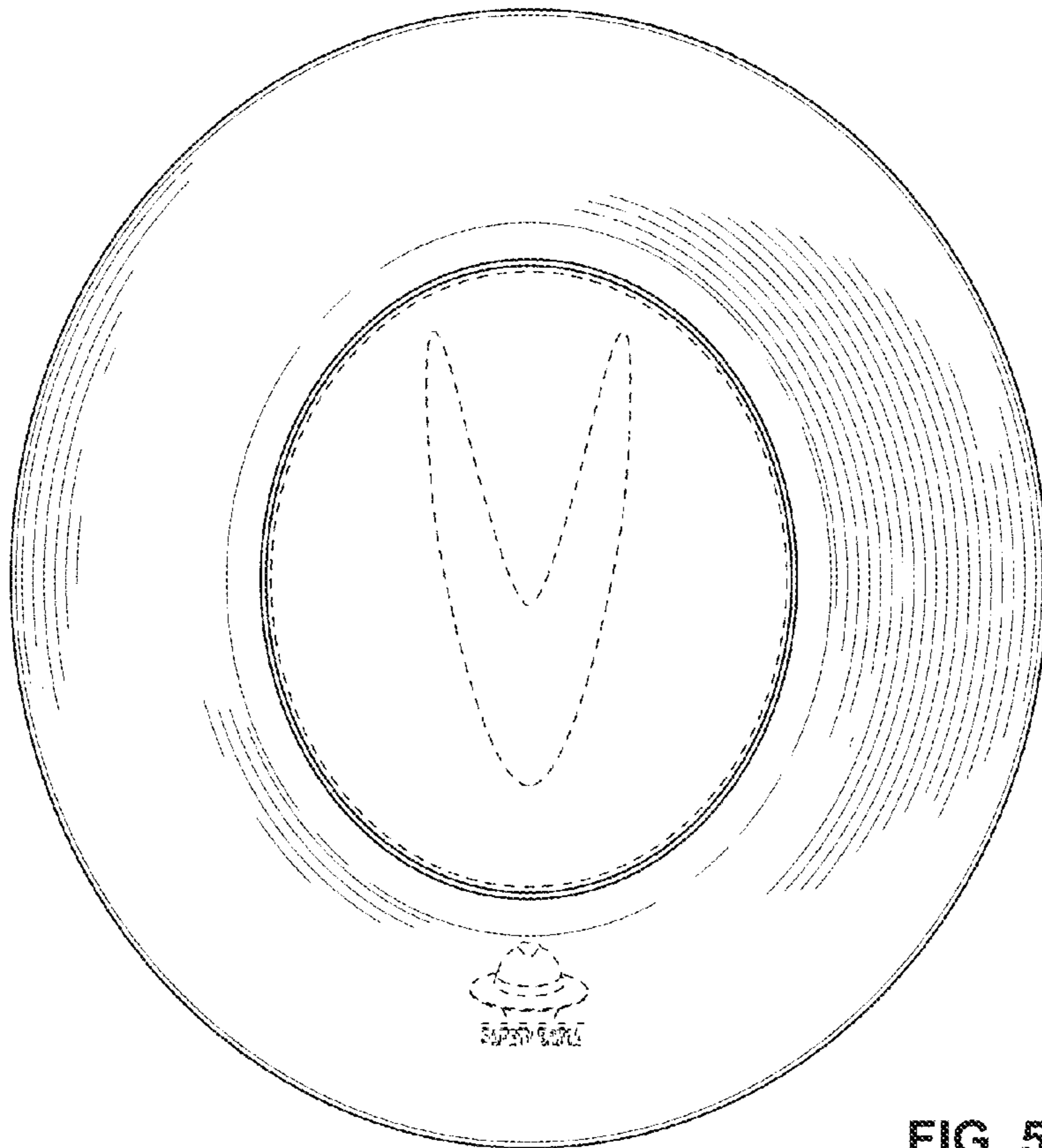


FIG. 5

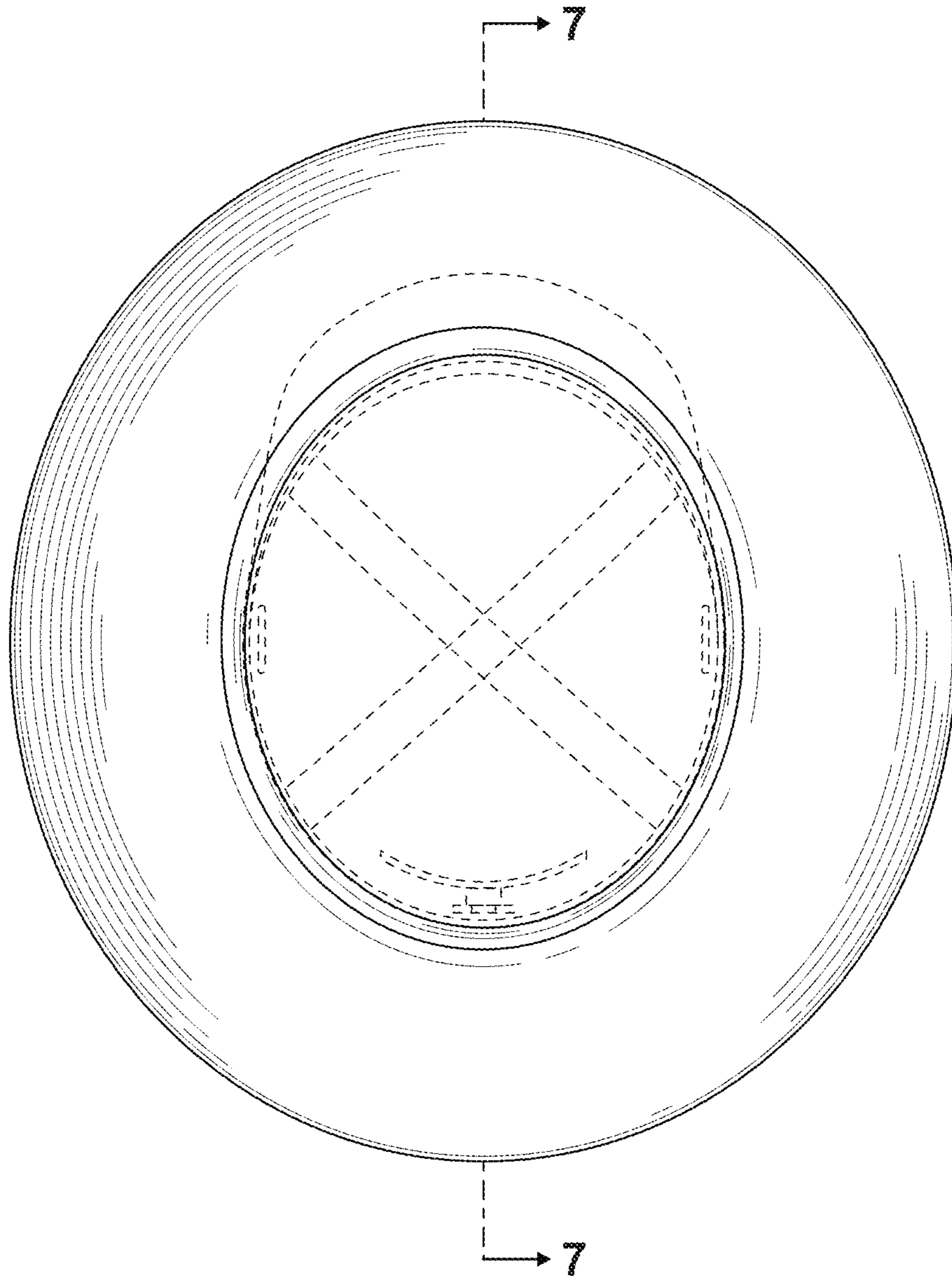


FIG. 6

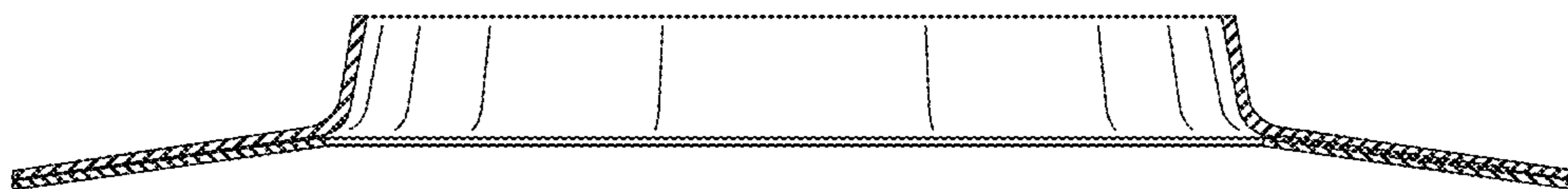


FIG. 7