



US00D720500S

(12) **United States Design Patent**
Simowitz-Price

(10) **Patent No.:** **US D720,500 S**

(45) **Date of Patent:** **** Dec. 30, 2014**

(54) **HAIR DRYER**

D341,904 S * 11/1993 Smal D28/15
D519,676 S * 4/2006 Keong D28/13
D537,566 S * 2/2007 Kondo et al. D28/13

(71) Applicant: **Standard Man, LLC**, Brooklyn, NY
(US)

* cited by examiner

(72) Inventor: **Adam Simowitz-Price**, Brooklyn, NY
(US)

Primary Examiner — Zenia Bennett
(74) *Attorney, Agent, or Firm* — Myers Wolin, LLC

(73) Assignee: **Standard Man, LLC**, Brooklyn, NY
(US)

(57) **CLAIM**
The ornamental design for a hair dryer, as shown and described.

(**) Term: **14 Years**

DESCRIPTION

(21) Appl. No.: **29/486,251**

FIG. 1 is a front perspective view of a hair dryer showing my new design from the top left vantage point;
FIG. 2 is a front perspective view thereof from the top right vantage point;
FIG. 3 is a back perspective view thereof from the top left vantage point;
FIG. 4 is a view thereof from a 45 degree angle showing the top and left sides visible in FIG. 1;
FIG. 5 is a front view thereof;
FIG. 6 is a back view thereof;
FIG. 7 is a left side view thereof;
FIG. 8 is a top side view thereof; and,
FIG. 9 is a right side view thereof, the bottom side being identical.

(22) Filed: **Mar. 27, 2014**

(51) **LOC (10) Cl.** **28-03**

(52) **U.S. Cl.**
USPC **D28/12**

(58) **Field of Classification Search**
CPC A45D 20/12
USPC D28/12-19; 34/96-101; 392/380-385;
219/222; D23/238-243

See application file for complete search history.

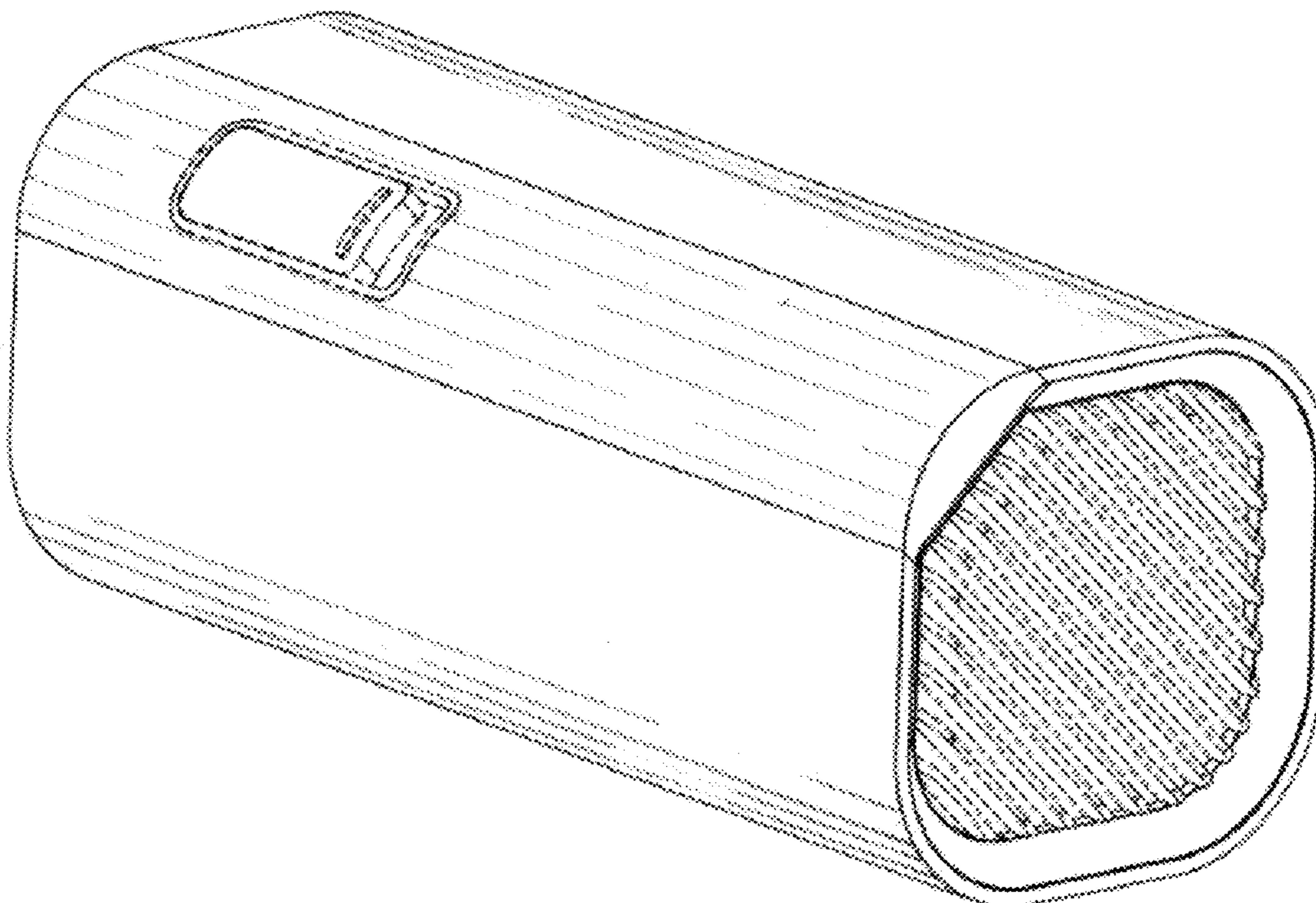
The broken lines are for illustrative purposes only and form no part of the claimed design. The segmented lines indicate contour, and do not represent surface ornamentation.

(56) **References Cited**

U.S. PATENT DOCUMENTS

D286,087 S * 10/1986 Camens D28/13
D286,923 S * 11/1986 Tsuji D28/13

1 Claim, 5 Drawing Sheets



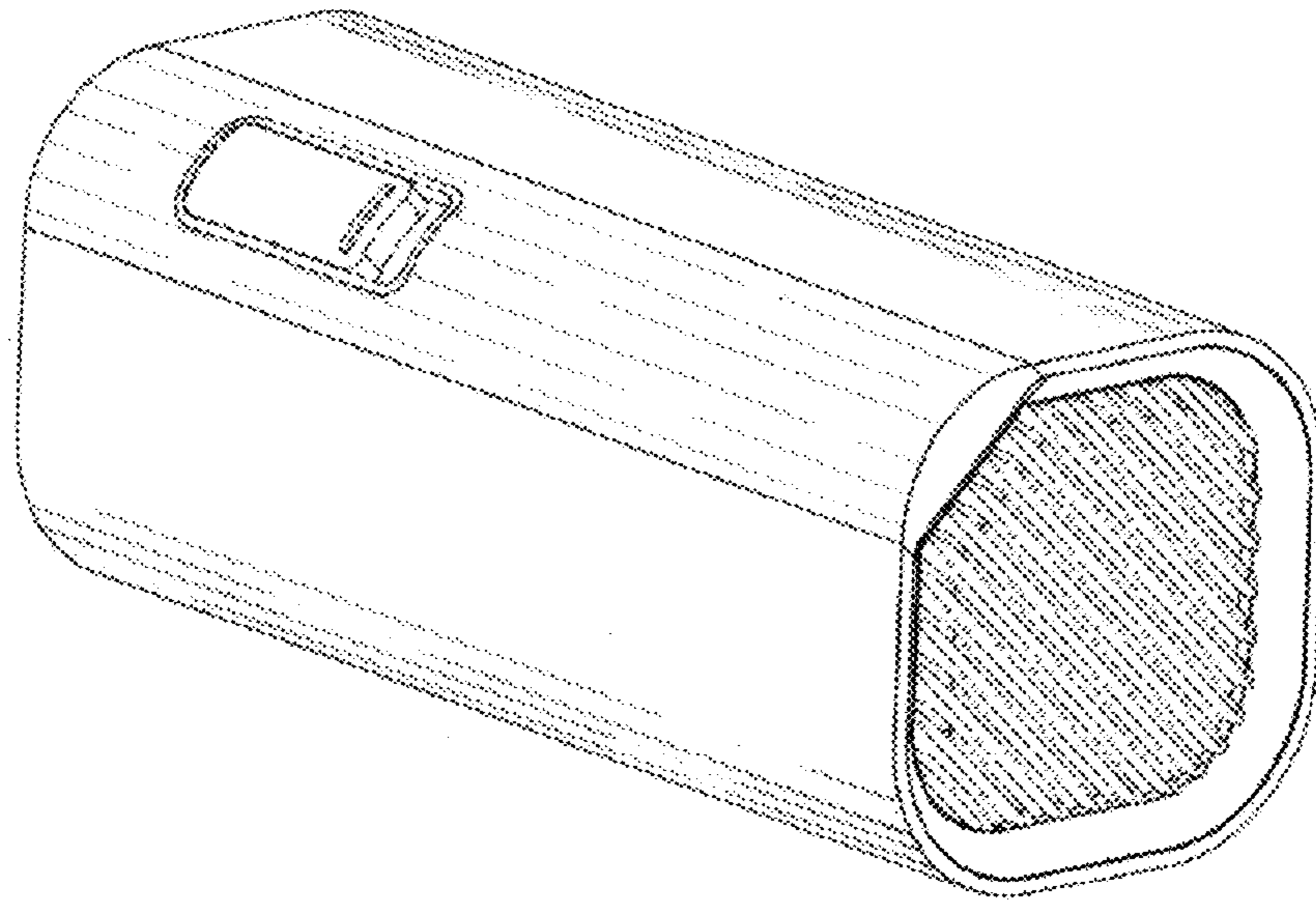


FIG. 1

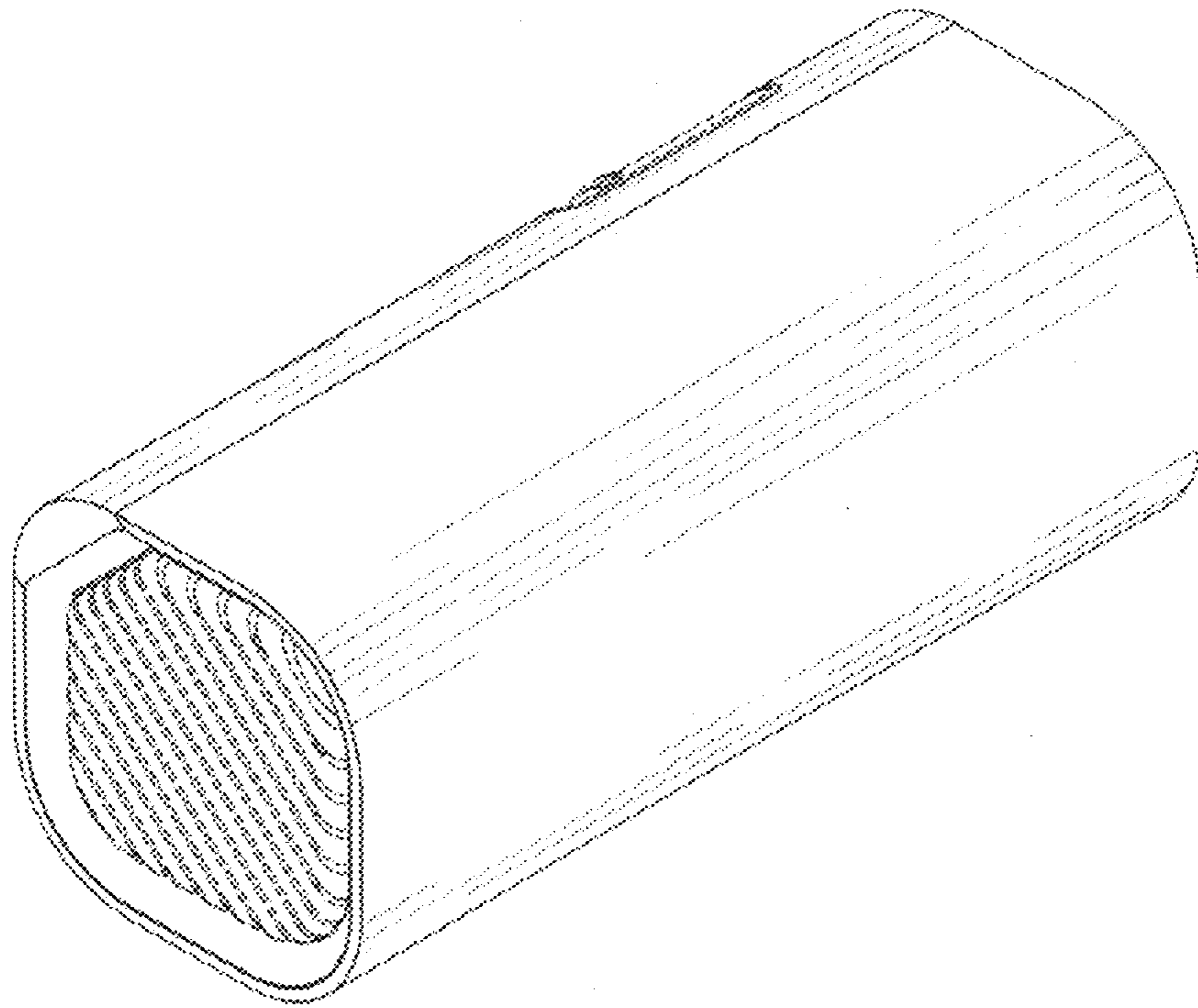


FIG. 2

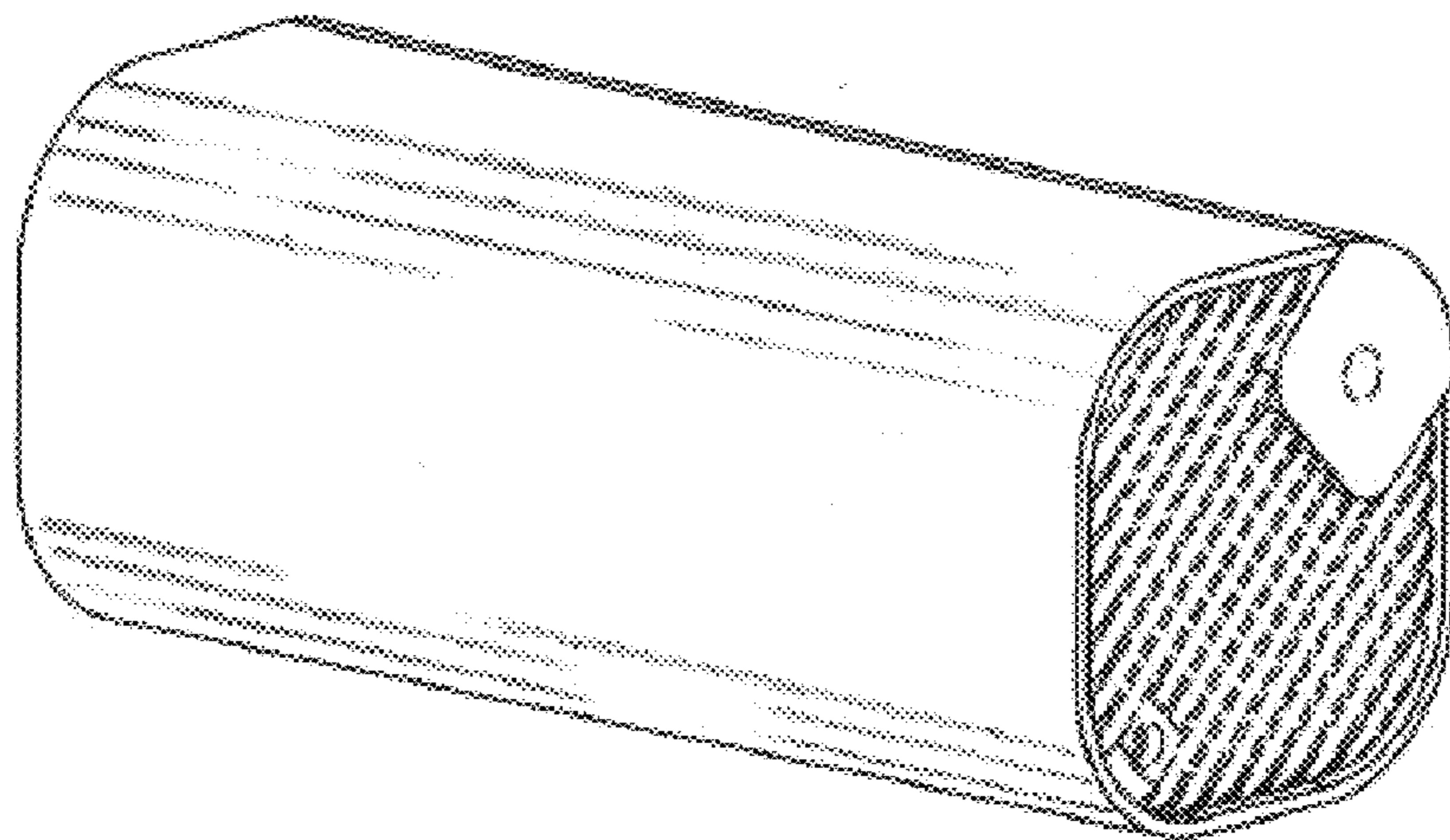


FIG. 3

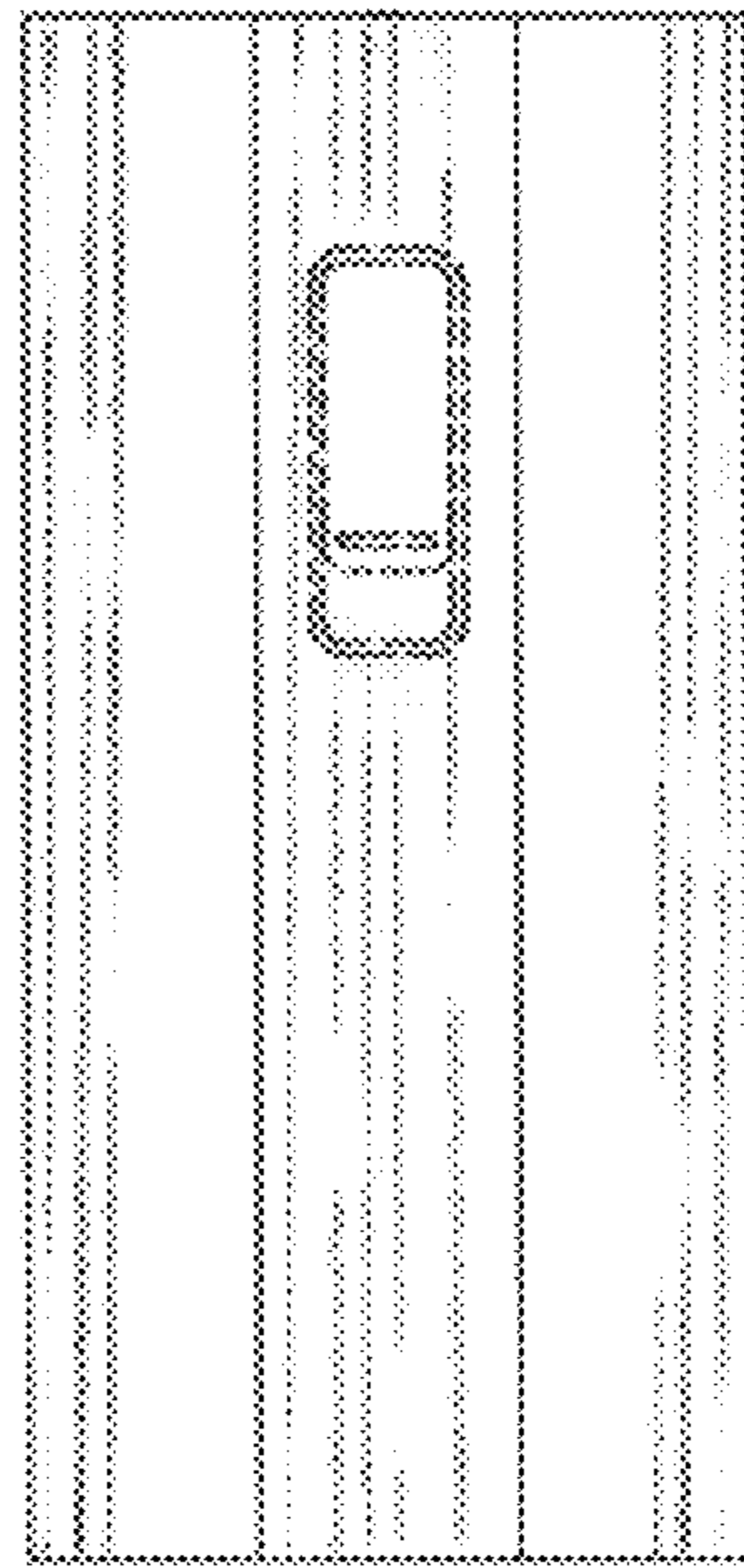


FIG. 4

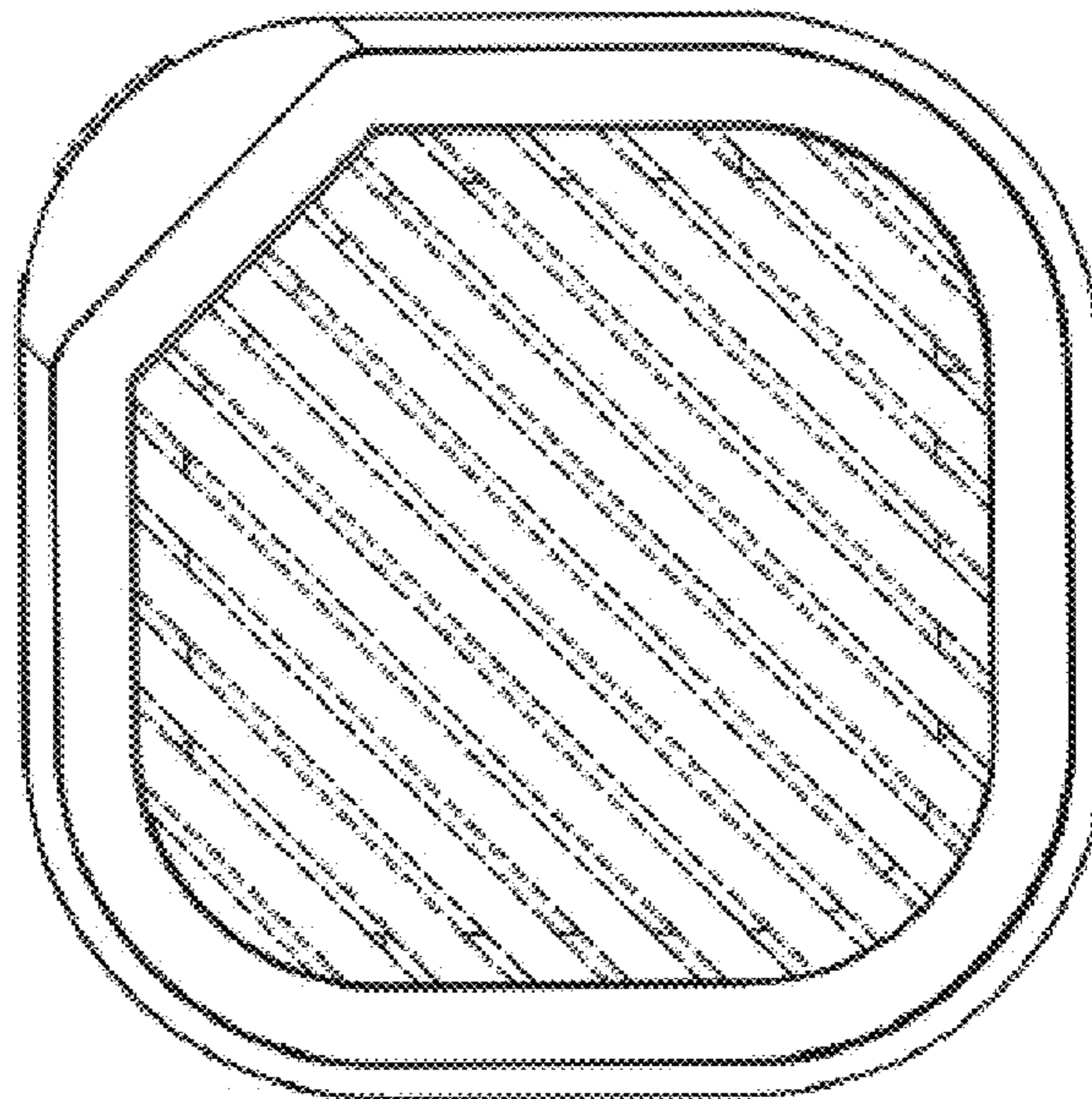


FIG. 5

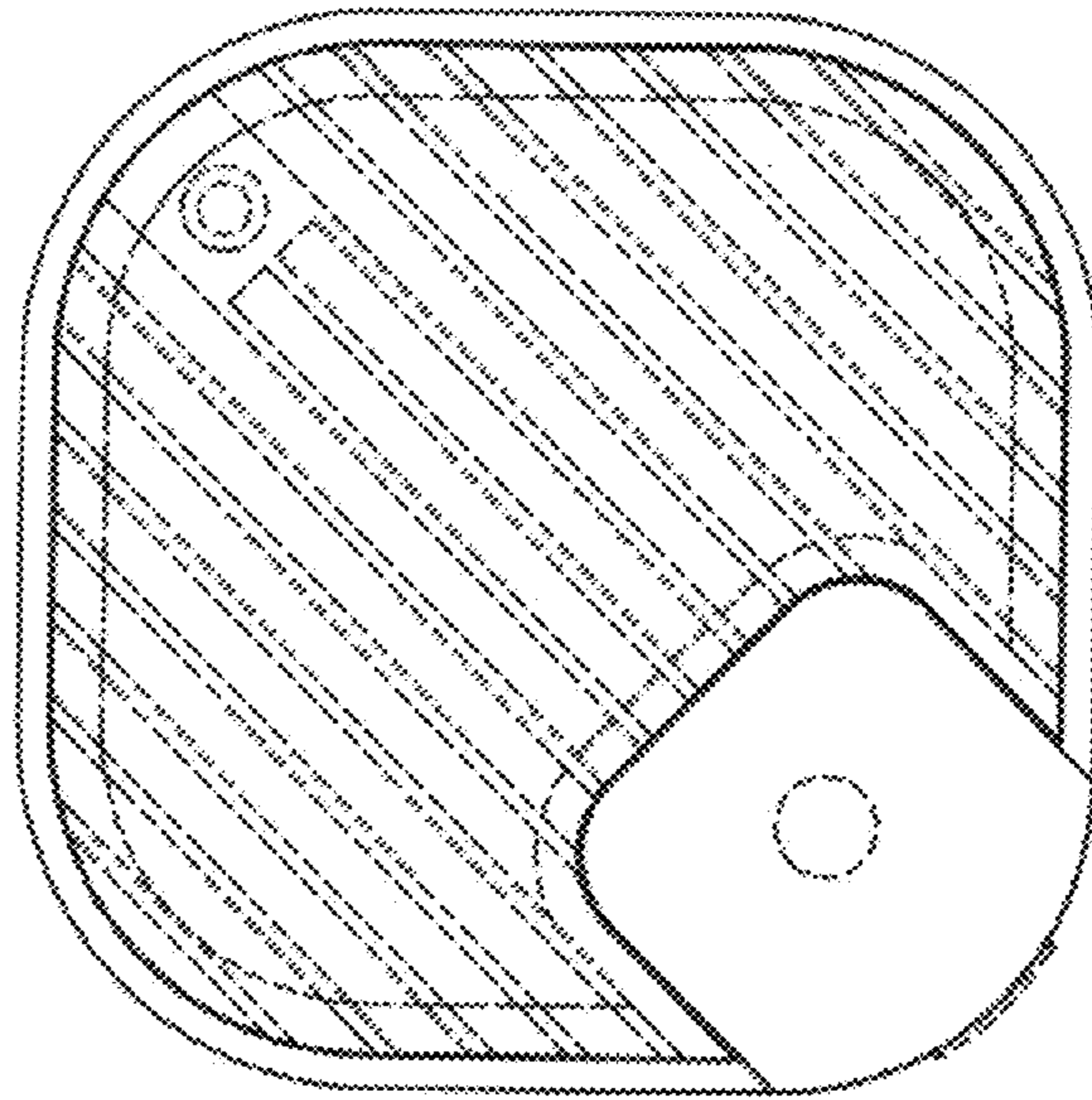


FIG. 6

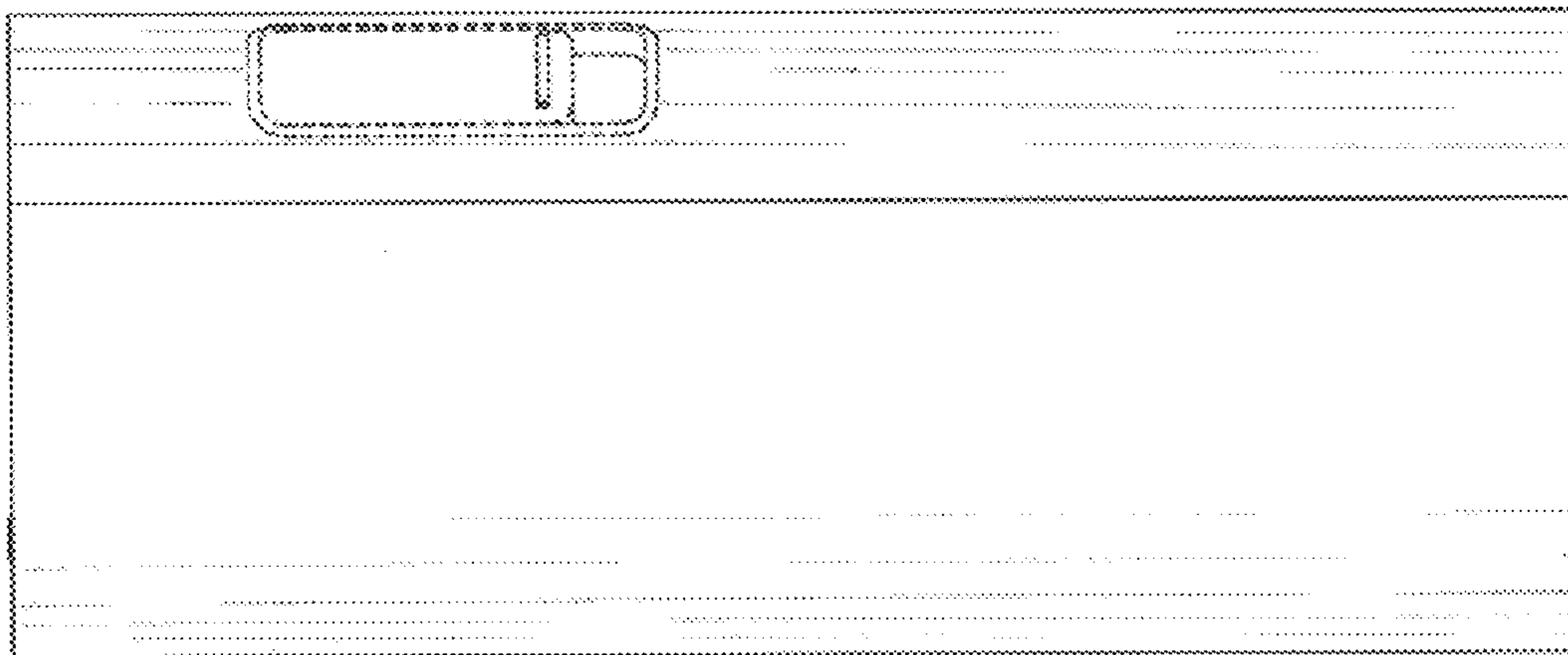


FIG. 7

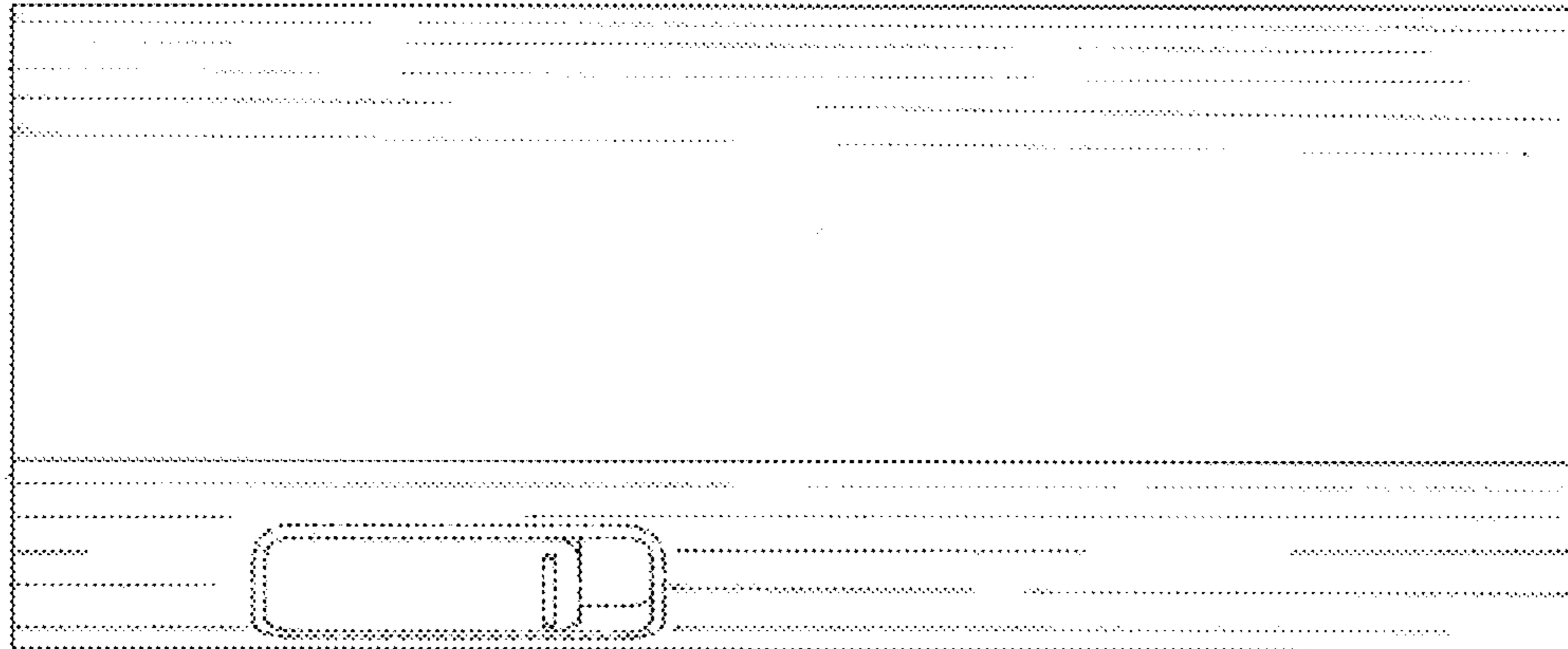


FIG. 8

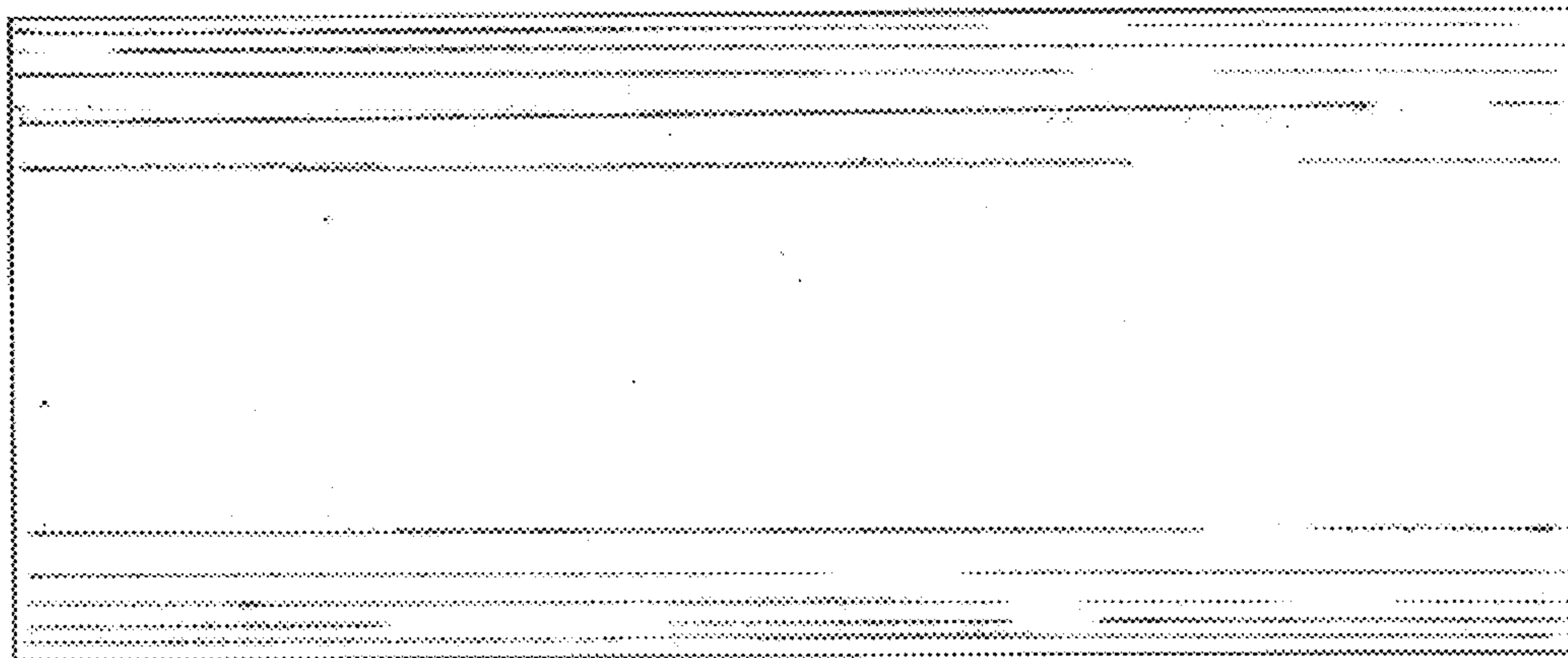


FIG. 9