



US00D720493S

(12) **United States Design Patent**
Salvadori

(10) **Patent No.:** **US D720,493 S**

(45) **Date of Patent:** **** Dec. 30, 2014**

(54) **FLOOR LAMP**

(71) Applicant: **Emme Pi Light-Masiero S.R.L.**, Casale sul Sile (IT)

(72) Inventor: **Alberto Salvadori**, Treviso (IT)

(73) Assignee: **Emme Pi Light-Masiero S.R.L.**, Casale sul Sile (IT)

(**) Term: **14 Years**

(21) Appl. No.: **29/436,545**

(22) Filed: **Nov. 7, 2012**

(51) **LOC (10) Cl.** **26-03**

(52) **U.S. Cl.**
USPC **D26/110**

(58) **Field of Classification Search**
USPC D26/1, 24, 61, 67, 63-64, 69-70,
D26/93-94, 101-10, 104-110, 113, 118,
D26/88; 362/3, 153, 186, 217, 255, 257,
362/277, 317, 351, 353, 362, 363, 382, 431,
362/433, 458, 806
See application file for complete search history.

(56) **References Cited**

U.S. PATENT DOCUMENTS

D187,335 S * 3/1960 Engel, Jr. D26/110
D260,939 S * 9/1981 Zurcher D26/93

D389,948 S * 1/1998 Chang D26/110
D448,516 S * 9/2001 Schacht D26/110
D624,689 S * 9/2010 Kao D26/102
D663,884 S * 7/2012 Baylar D26/88
D685,513 S * 7/2013 Salvadori D26/88

* cited by examiner

Primary Examiner — Brian N Vinson

(74) *Attorney, Agent, or Firm* — Themis Law

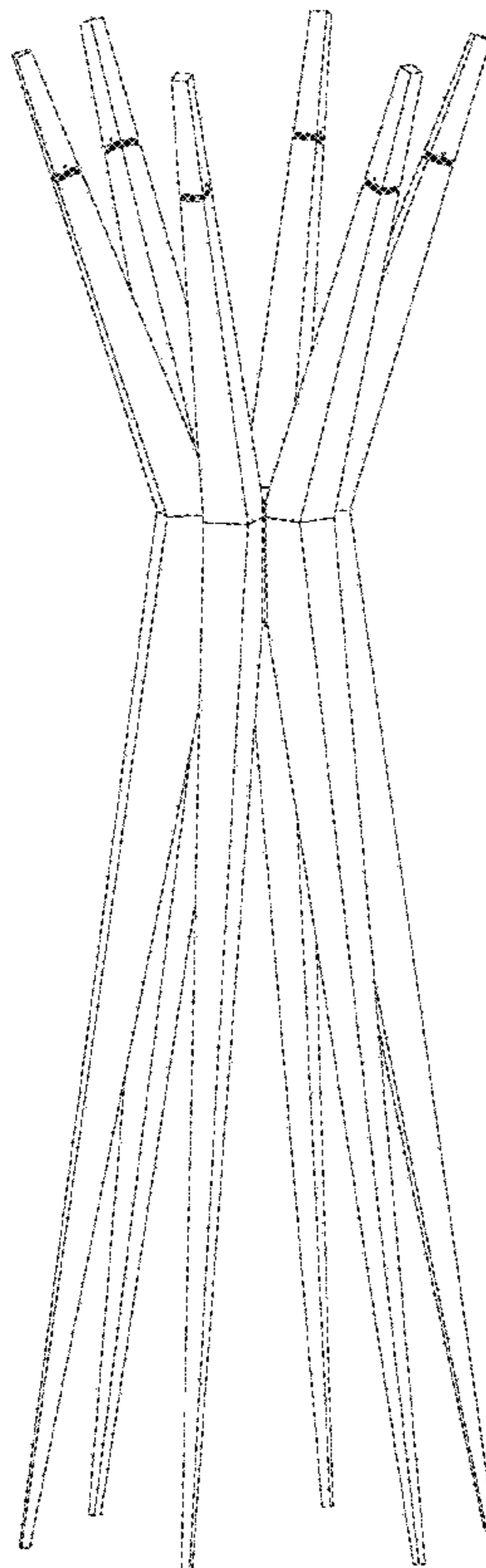
(57) **CLAIM**

The ornamental design for a floor lamp, as shown and described.

DESCRIPTION

FIG. 1 is a bottom plan view of a floor lamp showing my new design;
FIG. 2 is a top plan view thereof;
FIG. 3 is a front elevational view thereof;
FIG. 4 is a left side elevational view thereof;
FIG. 5 is a perspective view thereof;
FIG. 6 is an enlarged fragmentary detail of an upper portion of FIG. 3;
FIG. 7 is an enlarged fragmentary detail view of an upper portion of FIG. 4; and,
FIG. 8 is an enlarged fragmentary detail view of an upper portion of FIG. 5.

1 Claim, 8 Drawing Sheets



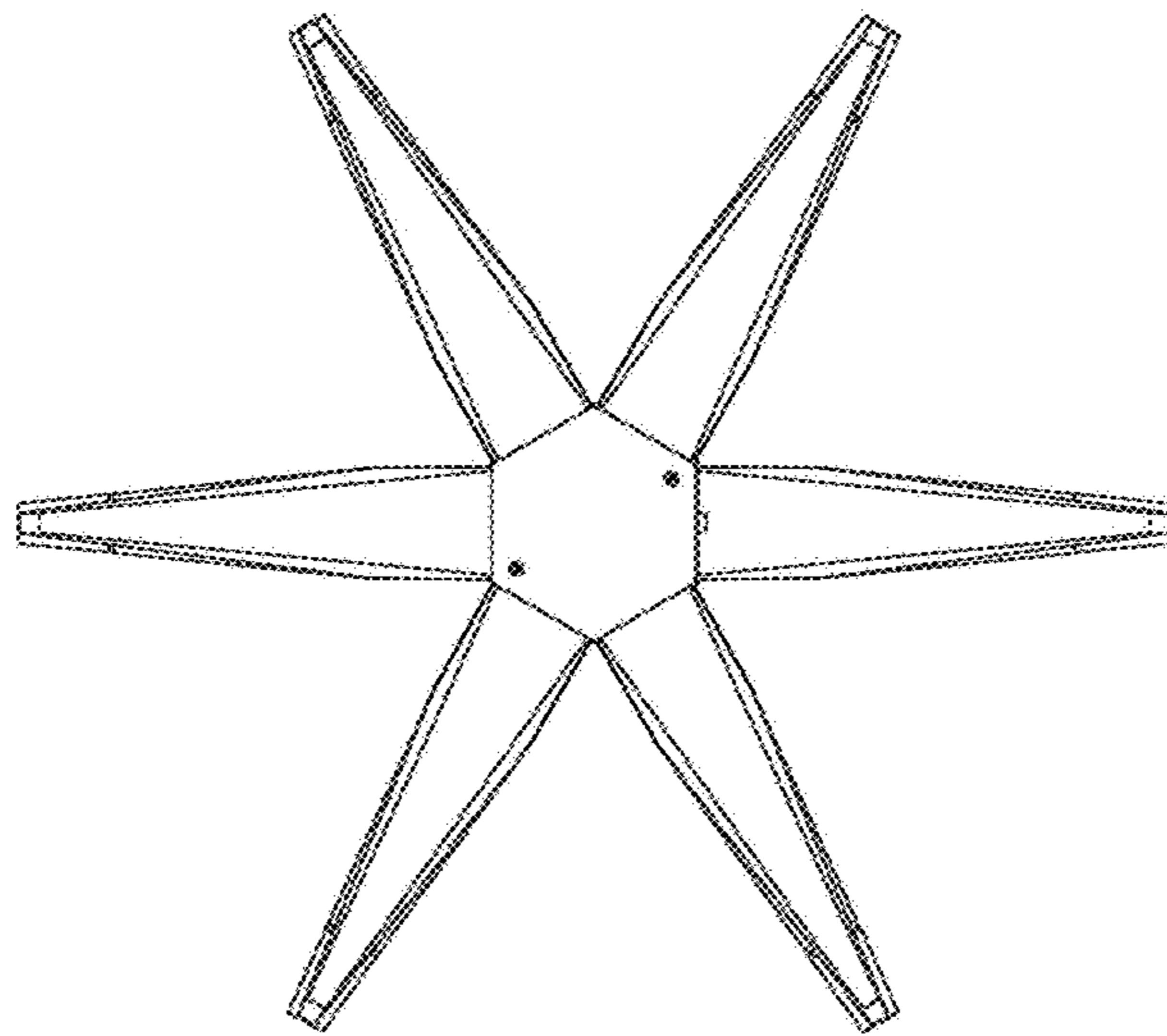


FIG. 1

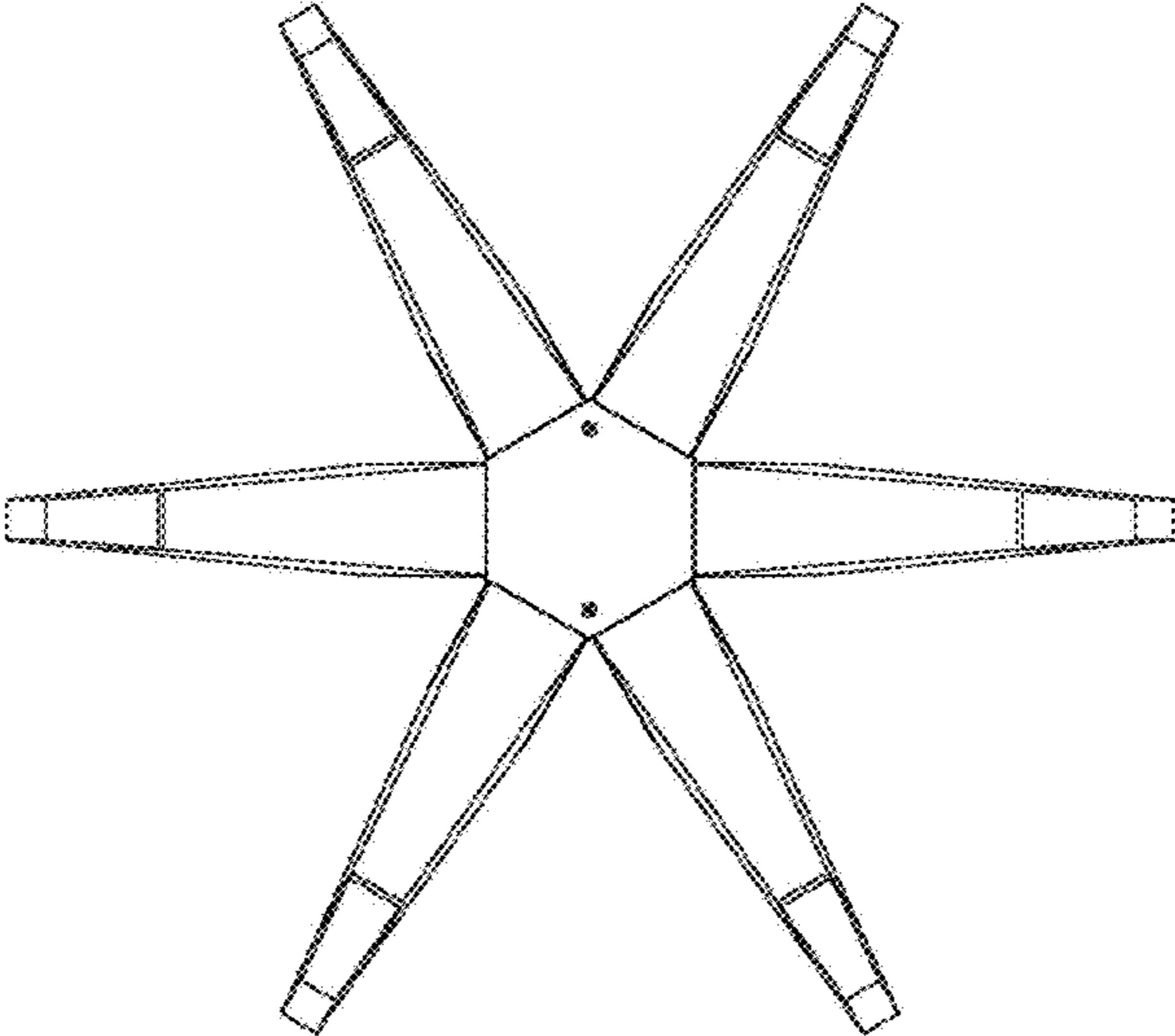


FIG. 2

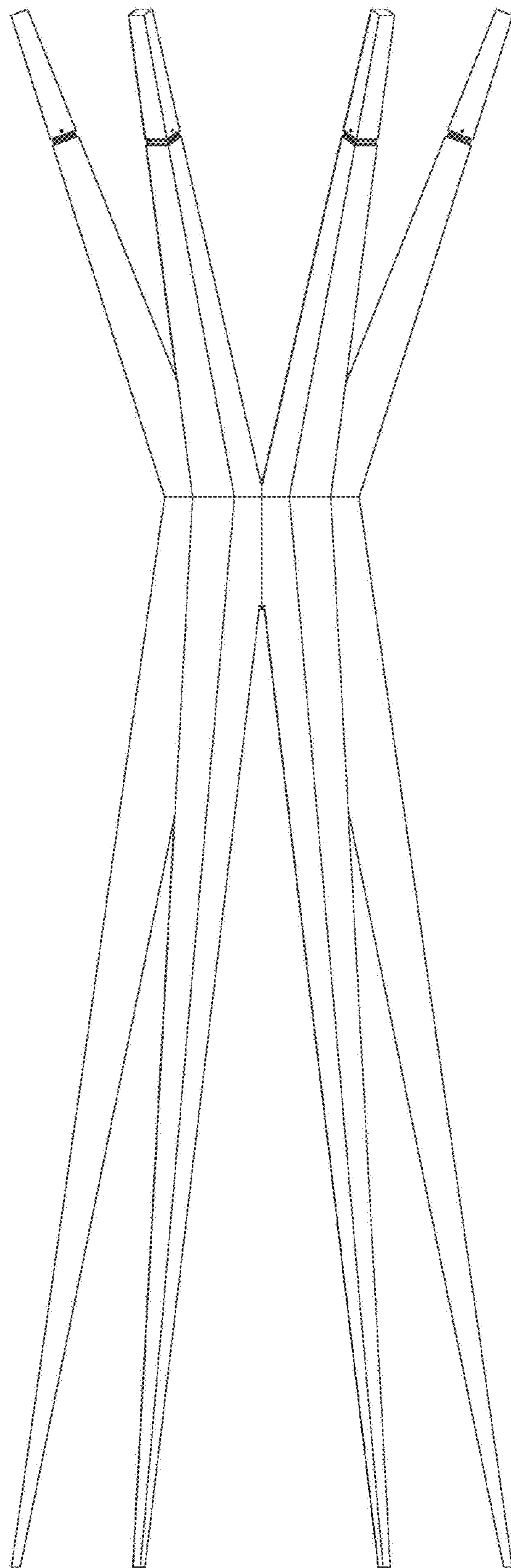


FIG. 3

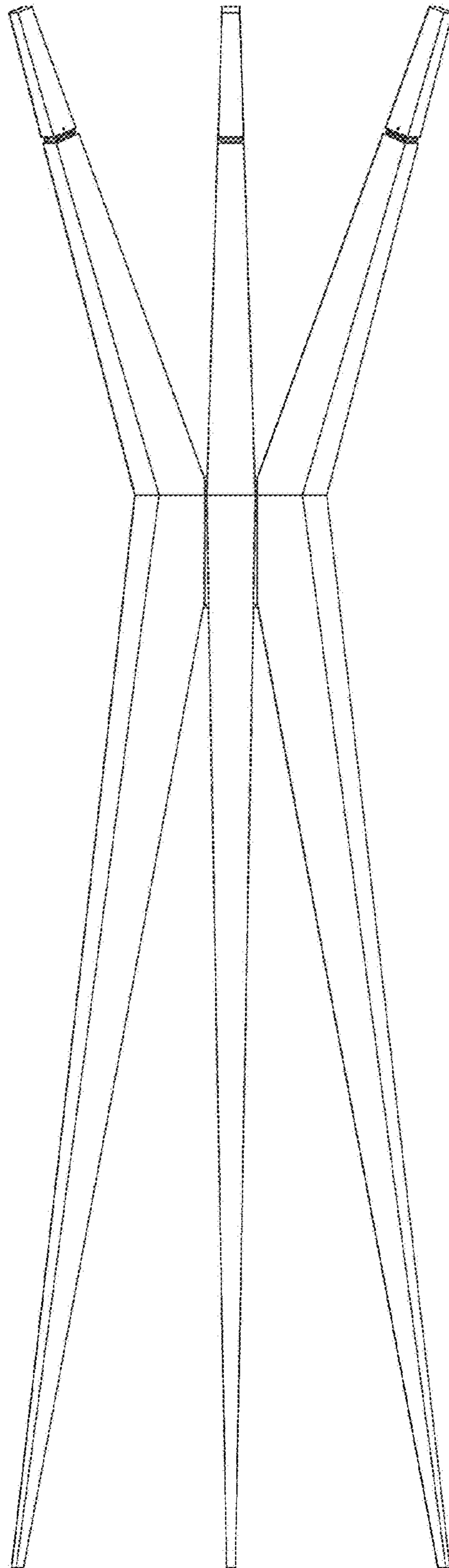


FIG. 4

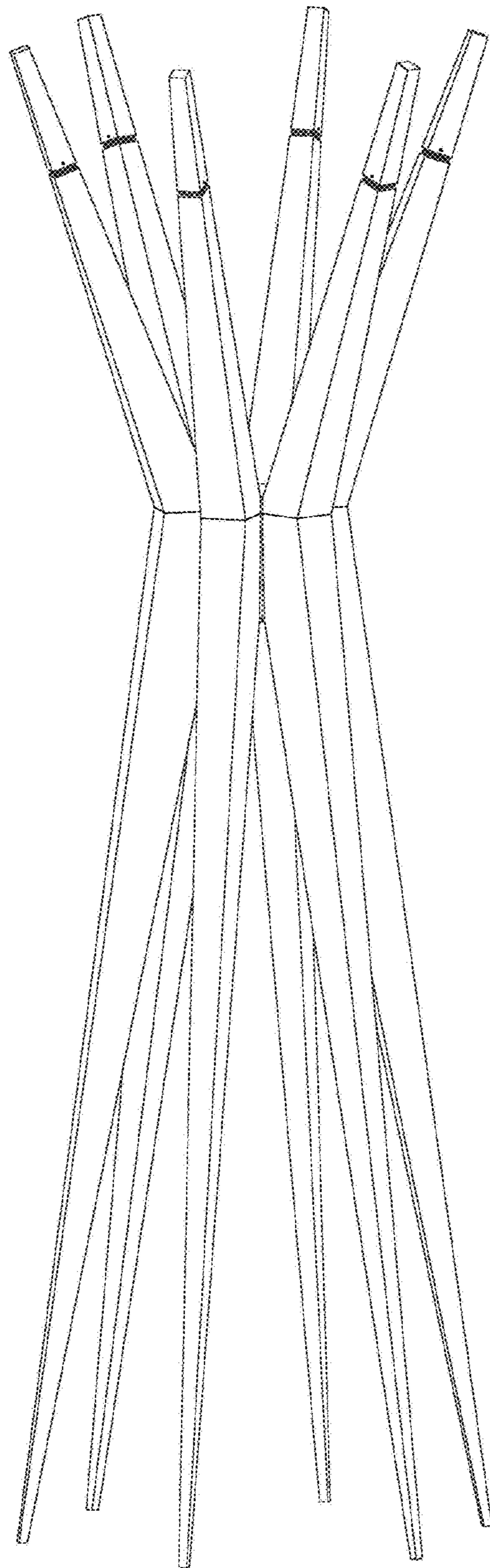


FIG. 5

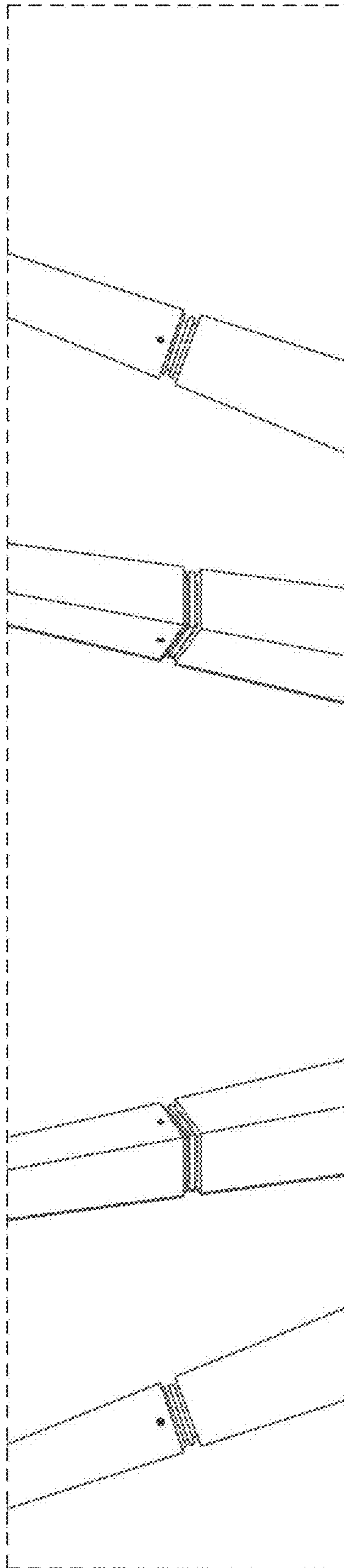


FIG. 6

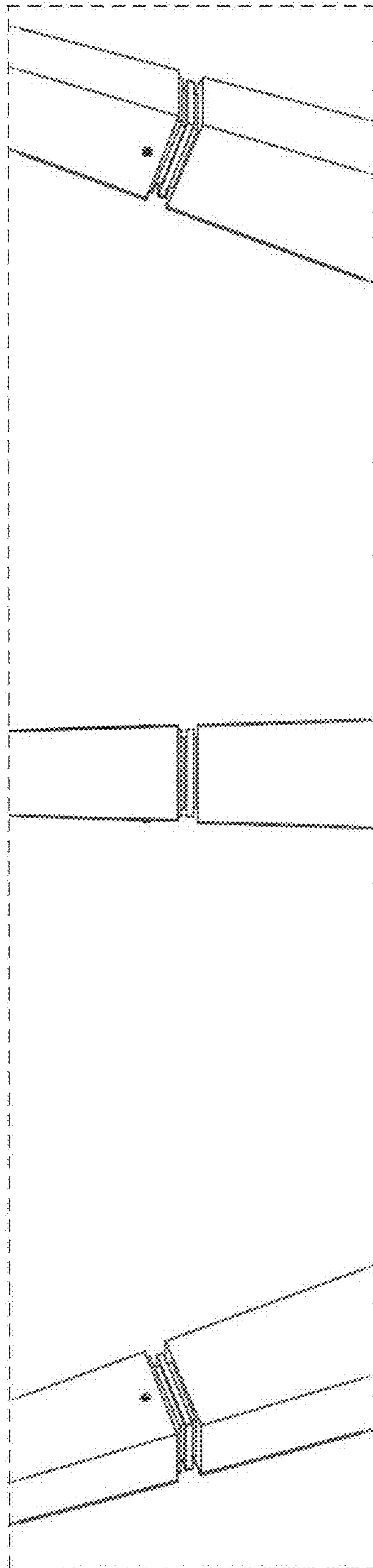


FIG. 7

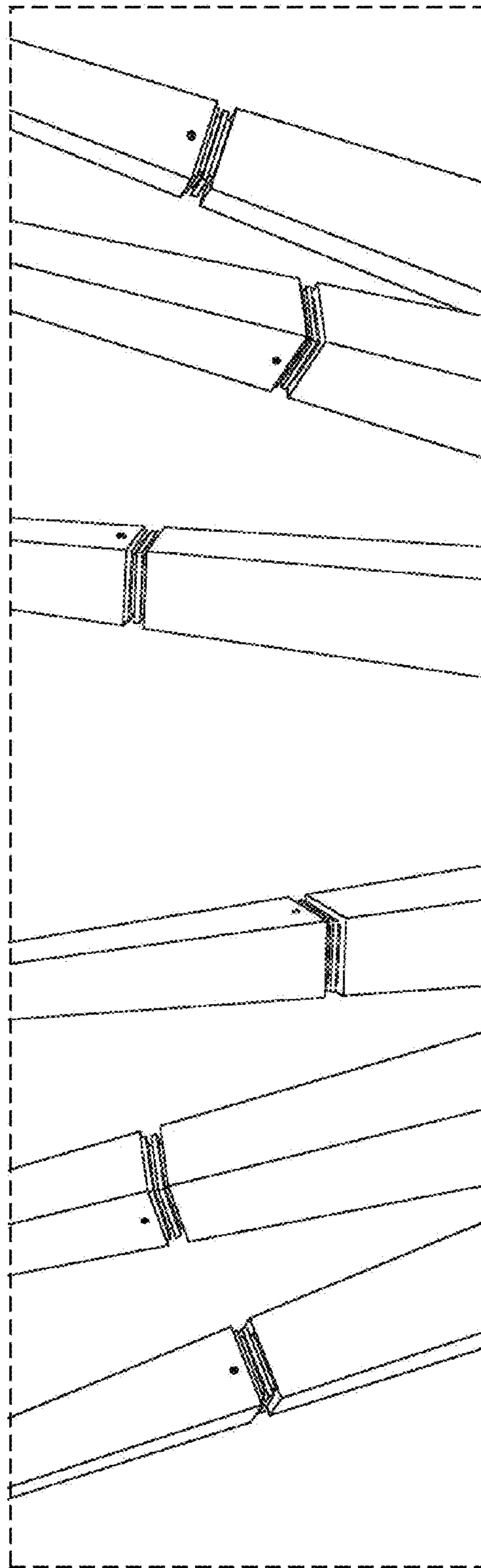


FIG. 8