



US00D720492S

(12) **United States Design Patent**
Gatchel

(10) **Patent No.:** **US D720,492 S**

(45) **Date of Patent:** **** Dec. 30, 2014**

(54) **TABLE LAMP**

D326,574 S * 6/1992 Albright et al. D6/472
D688,411 S * 8/2013 Inoue et al. D26/104
8,657,460 B2 * 2/2014 Bhardwaj et al. 362/183

(71) Applicant: **Adam S. Gatchel**, Nashville, TN (US)

* cited by examiner

(72) Inventor: **Adam S. Gatchel**, Nashville, TN (US)

Primary Examiner — Brian N Vinson

(73) Assignee: **Adam S. Gatchel**, Nashville, TN (US)

(74) *Attorney, Agent, or Firm* — Hovey Williams LLP

(**) Term: **14 Years**

(57) **CLAIM**

(21) Appl. No.: **29/439,427**

The ornamental design for a table lamp, as shown and described.

(22) Filed: **Dec. 11, 2012**

(51) **LOC (10) Cl.** **26-03**

(52) **U.S. Cl.**

USPC **D26/104**; D26/110

(58) **Field of Classification Search**

CPC F21S 10/00; F21S 10/002; F21S 10/02

USPC D25/93, 94, 95, 104, 106, 107, 110;

362/154, 257, 317-318, 351, 362, 364,

362/811, 806

See application file for complete search history.

DESCRIPTION

FIG. 1 is a front, top perspective view of a table lamp showing my new design;

FIG. 2 is a rear, bottom perspective view thereof;

FIG. 3 is a front elevation view thereof;

FIG. 4 is a right side elevation view thereof;

FIG. 5 is a rear elevation view thereof;

FIG. 6 is a left side elevation view thereof;

FIG. 7 is a top plan view thereof; and,

FIG. 8 is a bottom plan view thereof.

The broken line showing of the bulb and electrical cord is for the purpose of illustrating portions of the table lamp and forms no part of the claimed design.

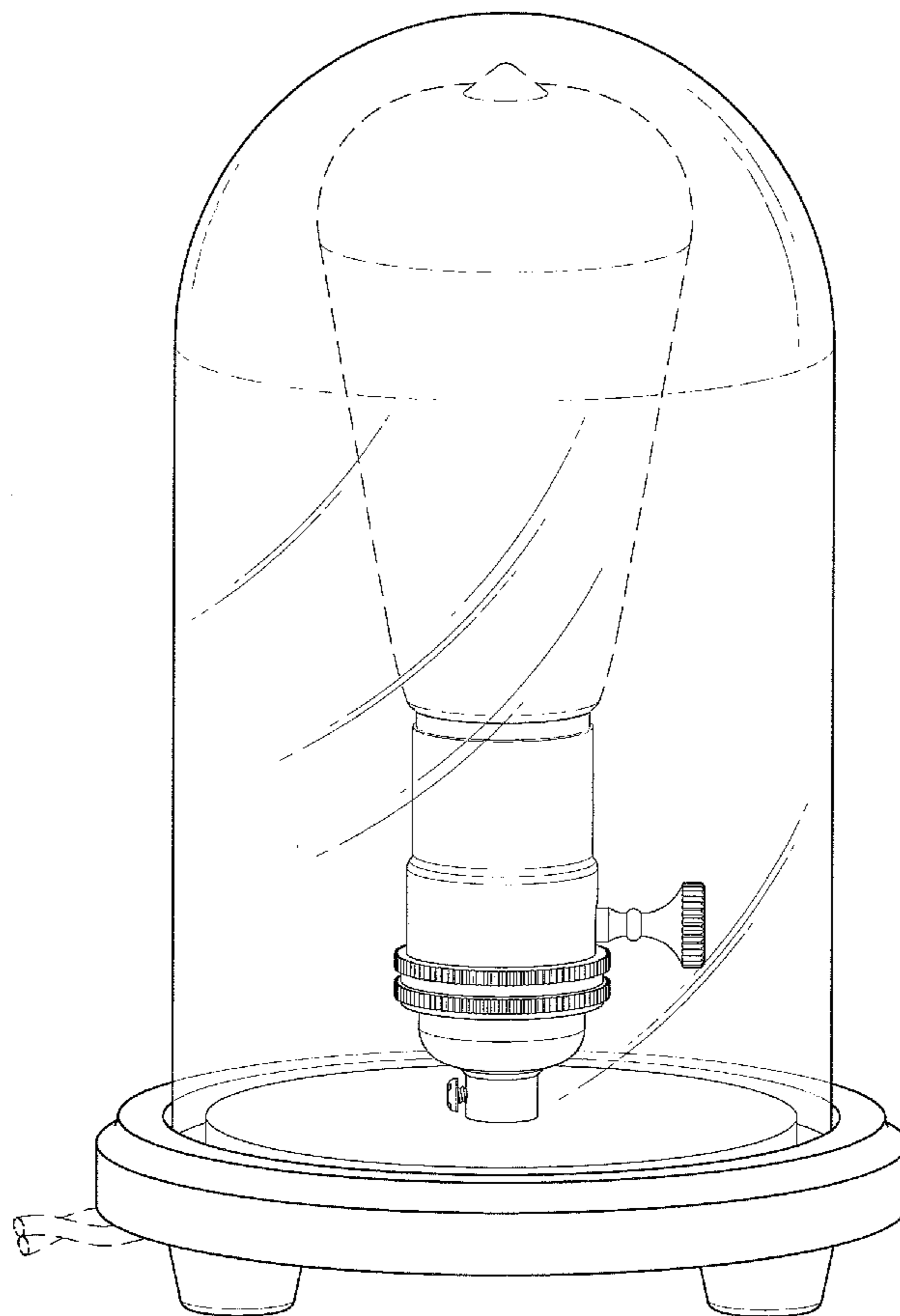
(56) **References Cited**

U.S. PATENT DOCUMENTS

2,631,409 A * 3/1953 Windiate D26/101

D280,850 S * 10/1985 Merino et al. D26/102

1 Claim, 8 Drawing Sheets



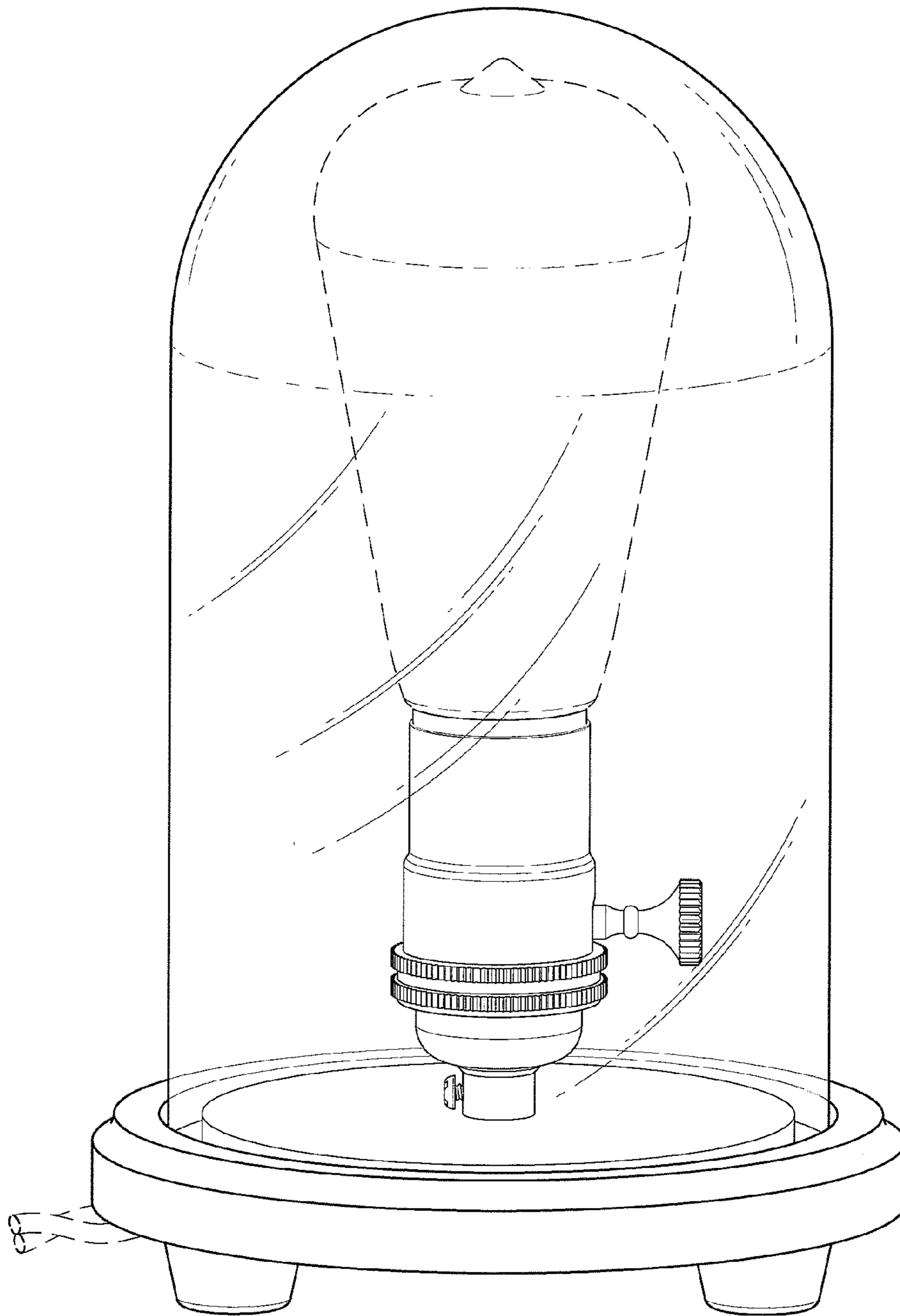


FIG. 1

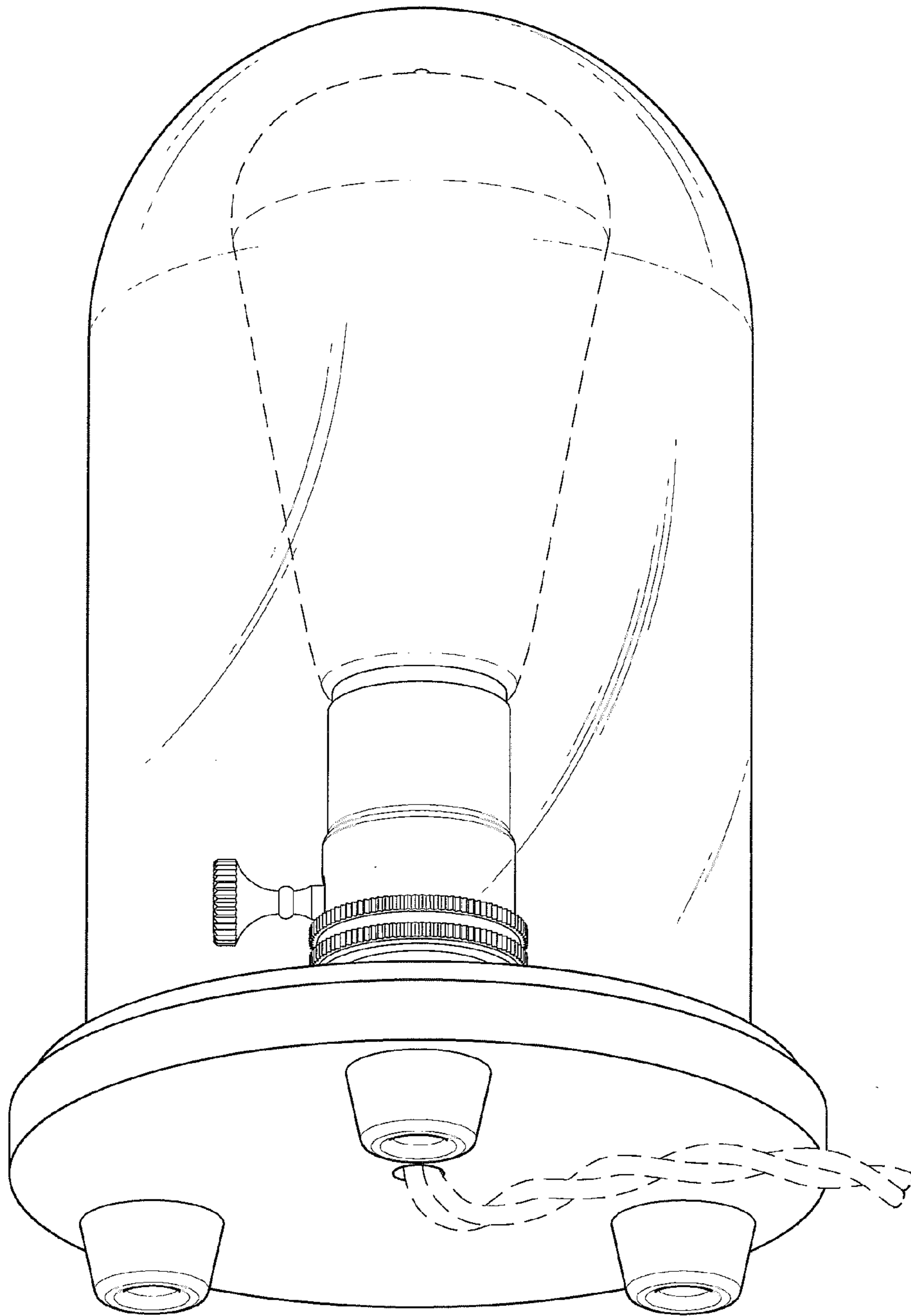


FIG. 2

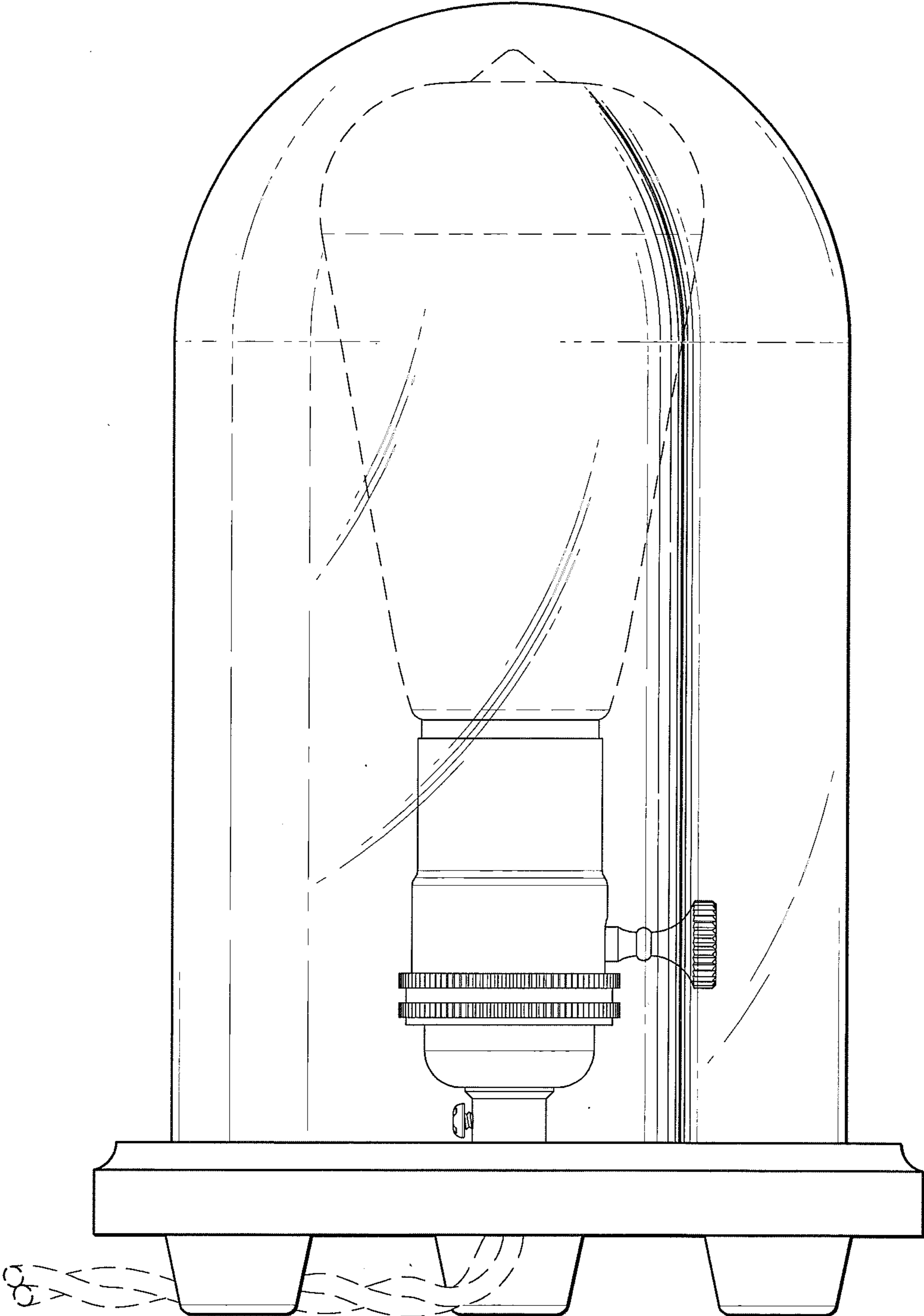


FIG. 3

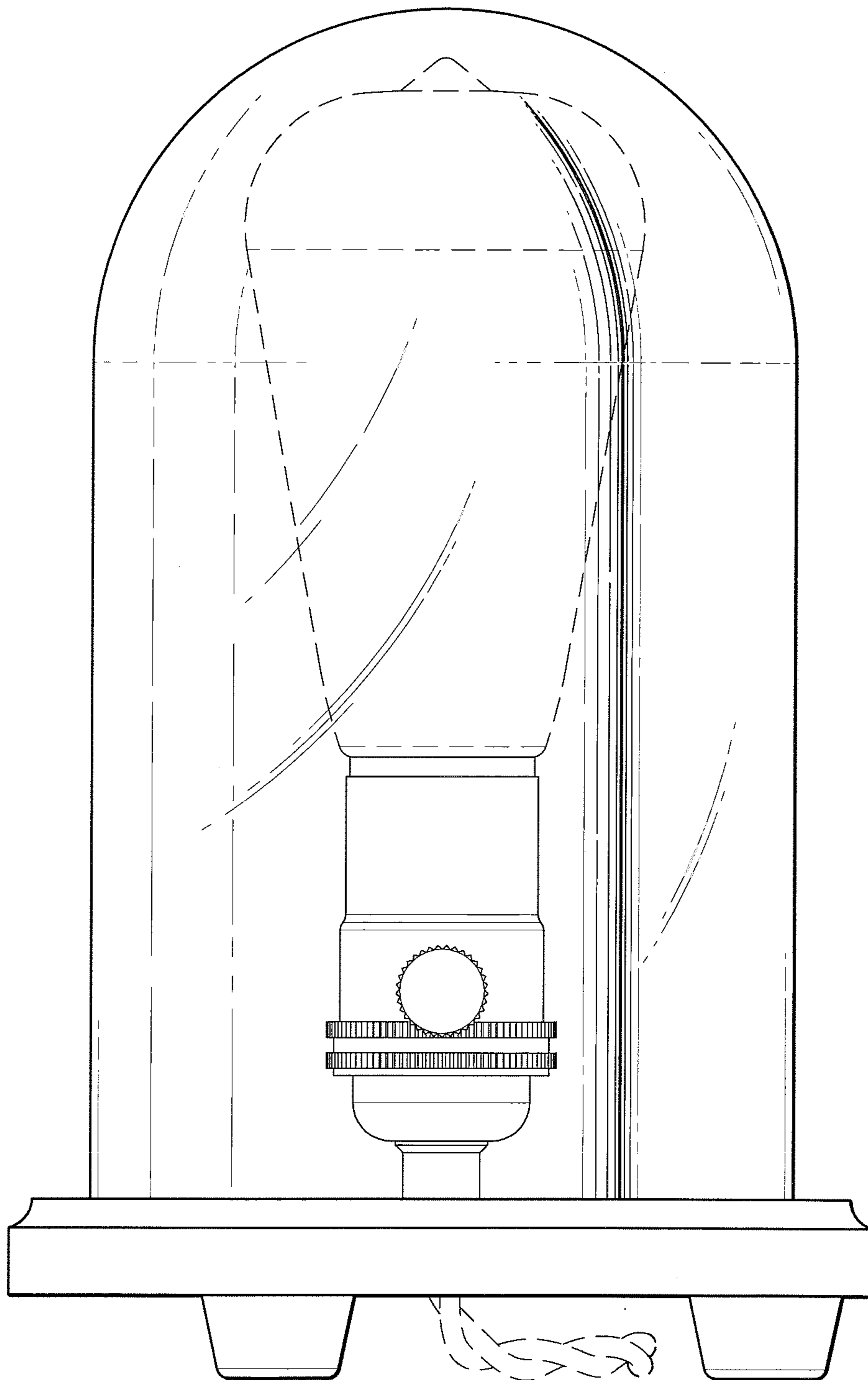


FIG. 4

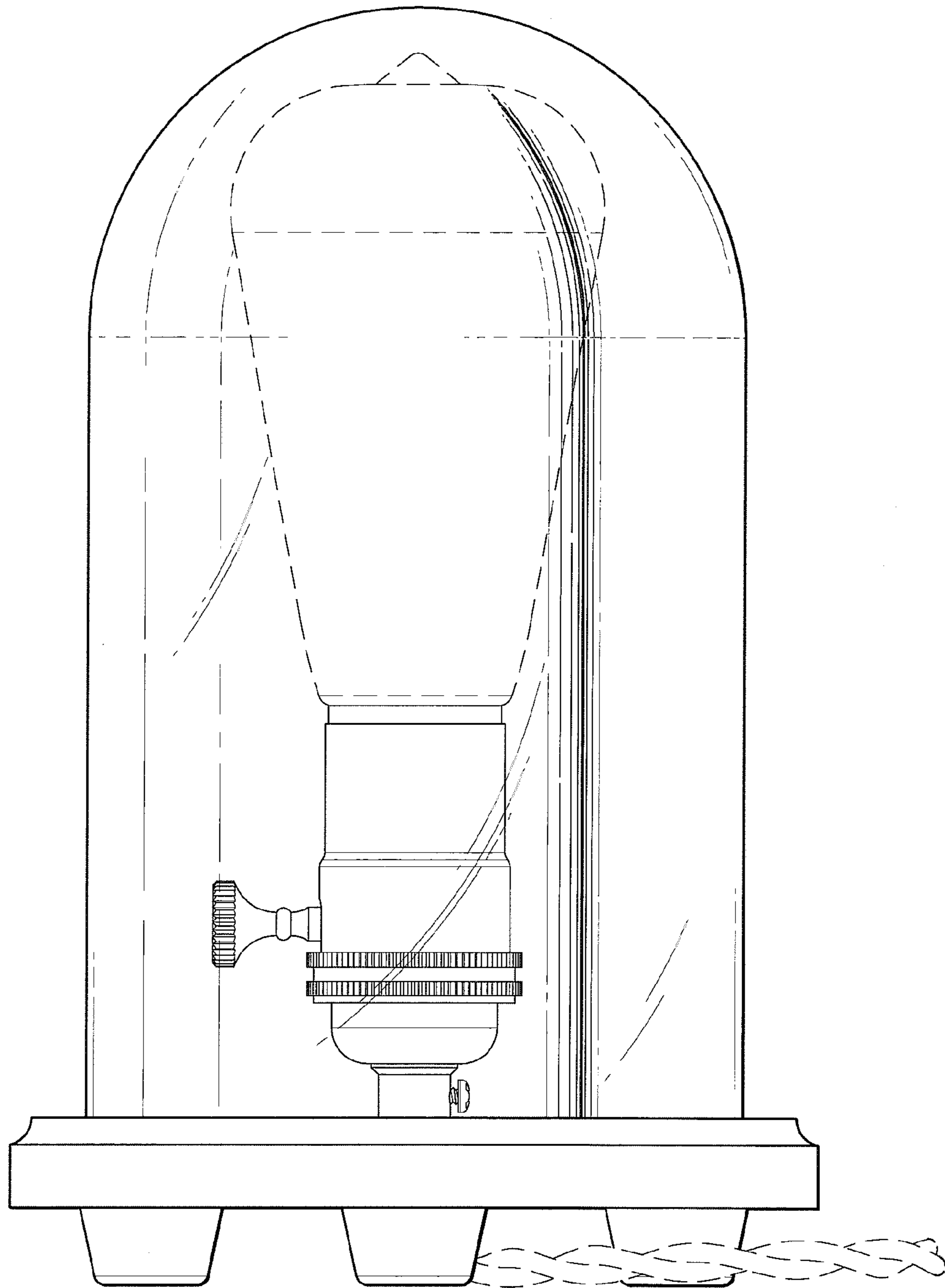


FIG. 5

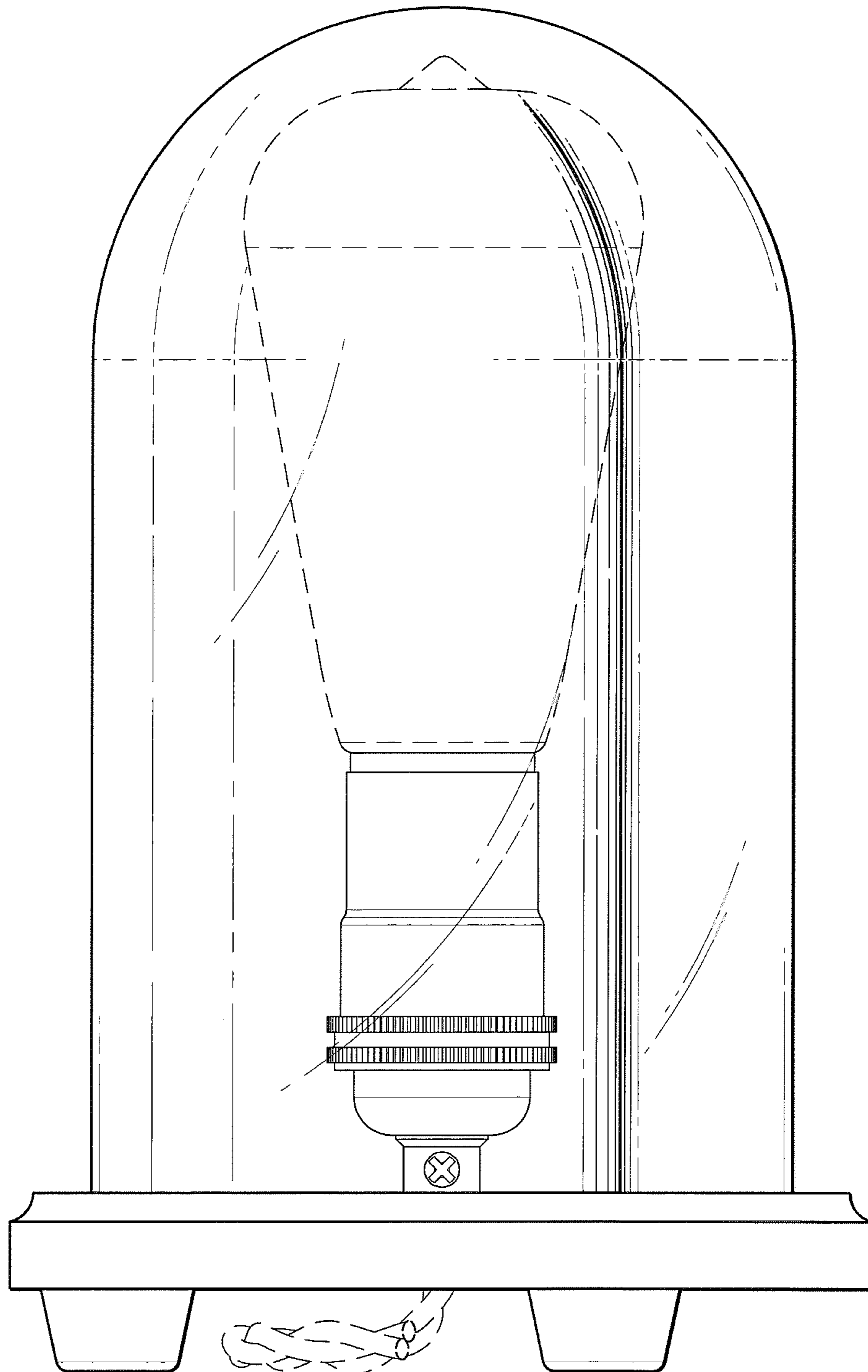


FIG. 6

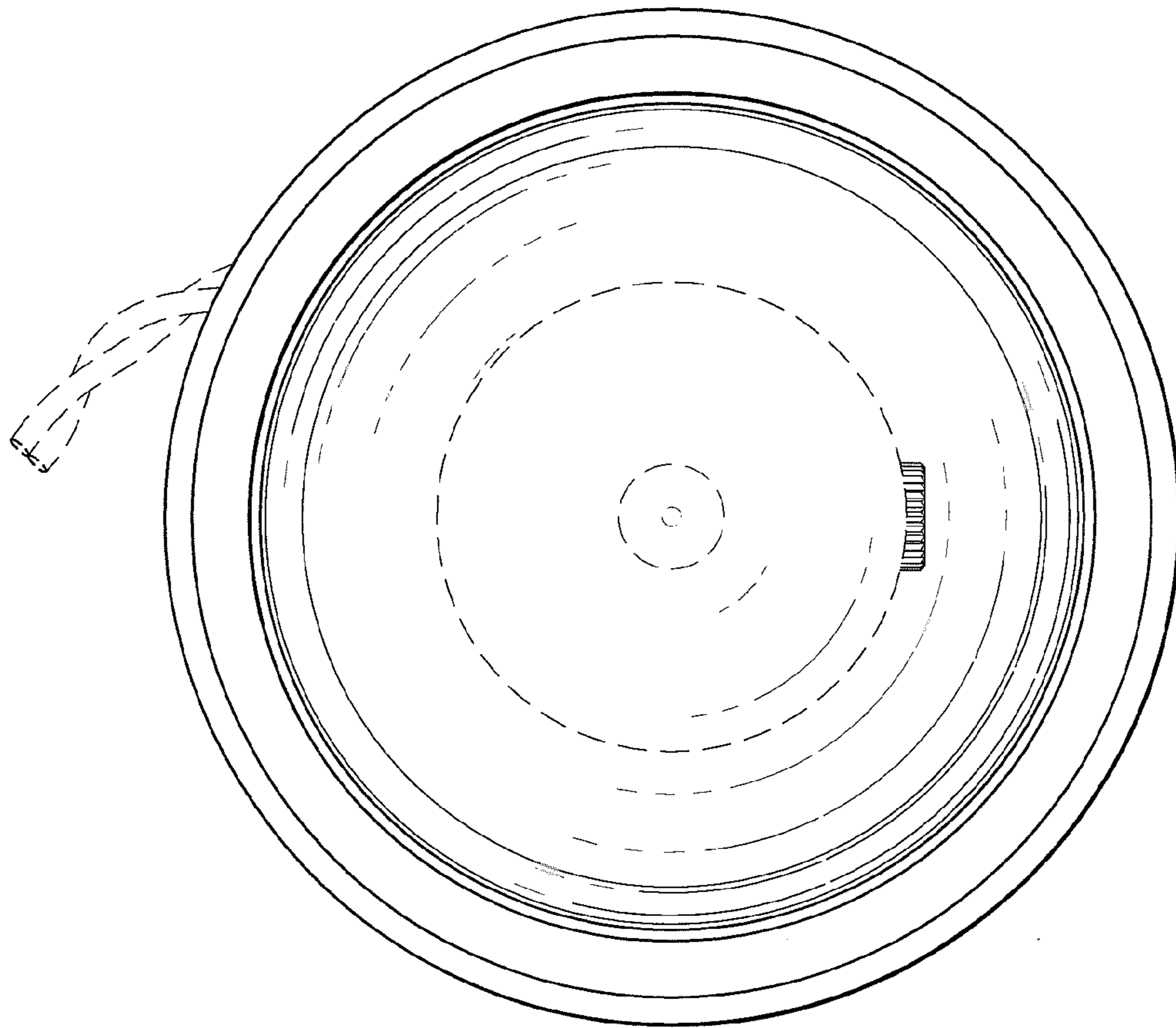


FIG. 7

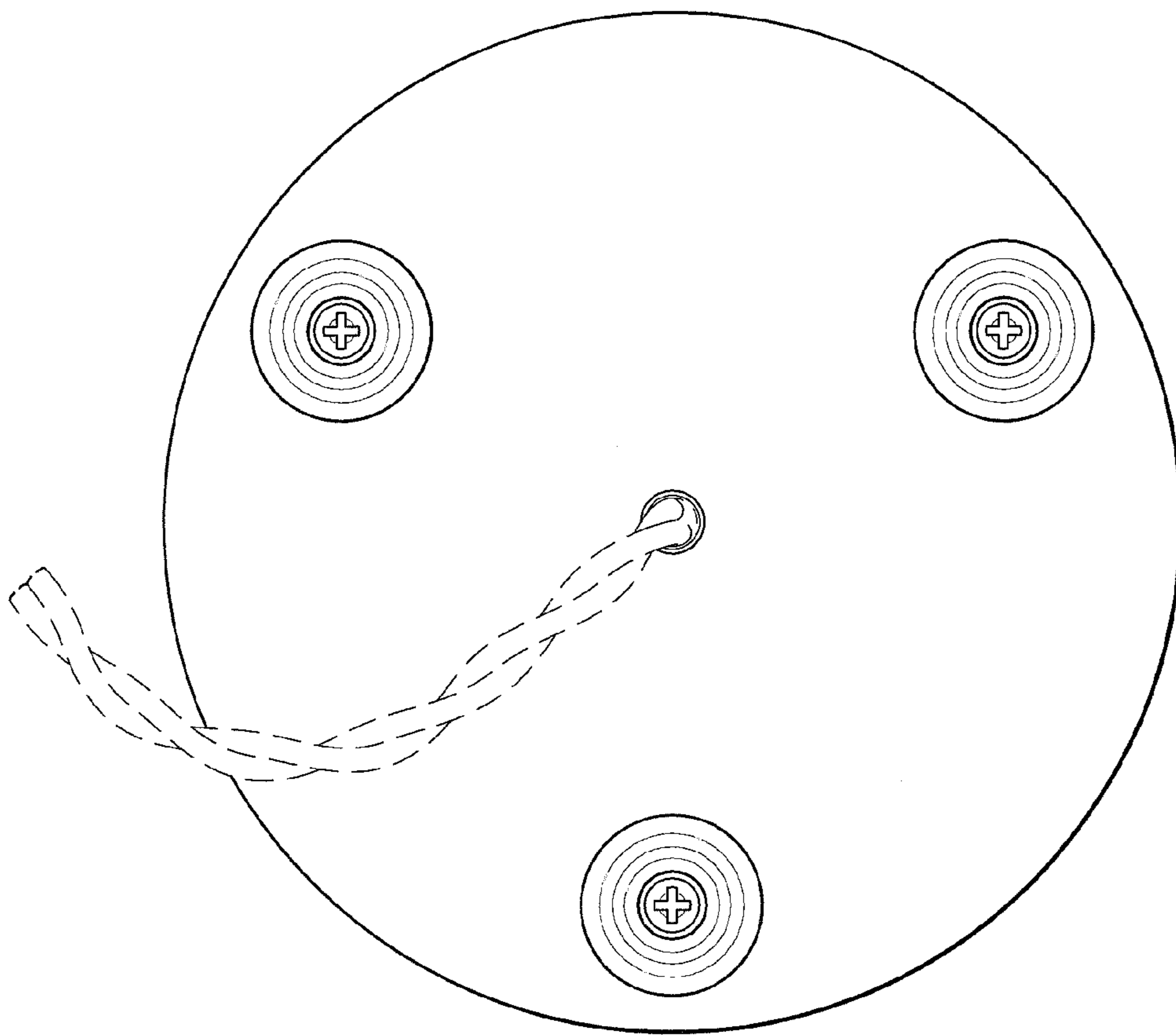


FIG. 8