



US00D720491S

(12) **United States Design Patent**  
**Anastassiades**

(10) **Patent No.:** **US D720,491 S**

(45) **Date of Patent:** **\*\* \*Dec. 30, 2014**

(54) **SUSPENSION LAMP**

(71) Applicant: **FLOS S.p.A.**, Bovezzo, Brescia (IT)

(72) Inventor: **Michael Anastassiades**, Brescia (IT)

(73) Assignee: **FLOS S.p.A.**, Bovezzo, Brescia (IT)

(\* ) Notice: This patent is subject to a terminal disclaimer.

(\*\*) Term: **14 Years**

(21) Appl. No.: **29/468,102**

(22) Filed: **Sep. 26, 2013**

(30) **Foreign Application Priority Data**

Mar. 29, 2013 (IT) ..... BS2013O0010

(51) **LOC (10) Cl.** ..... **26-03**

(52) **U.S. Cl.**  
USPC ..... **D26/88**

(58) **Field of Classification Search**  
CPC ..... F21S 8/06; F21V 27/00; F21V 21/18  
USPC ..... D26/80, 81, 84, 88, 90, 91, 118, 135;  
362/147, 404-408  
See application file for complete search history.

(56) **References Cited**

**U.S. PATENT DOCUMENTS**

D94,409 S *	1/1935	Chapman	.....	D26/107
D231,679 S *	5/1974	Keller	.....	D26/87
D232,966 S *	9/1974	Shemitz	.....	D26/87
D285,978 S *	9/1986	Rice	.....	D26/107
D342,338 S *	12/1993	Thun	.....	D26/88
D390,680 S *	2/1998	Giese et al.	.....	D26/68
D541,970 S *	5/2007	Blackman	.....	D26/81

D565,779 S *	4/2008	Meise et al.	.....	D26/84
D567,986 S *	4/2008	Meise et al.	.....	D26/84
D575,440 S *	8/2008	Pelzl	.....	D26/88
D620,180 S *	7/2010	Sabernig	.....	D26/84
D635,709 S *	4/2011	Federico et al.	.....	D26/84
D690,873 S *	10/2013	Meise et al.	.....	D26/88

**OTHER PUBLICATIONS**

Refraction Collection pendants #1474 shown on p. 201 of the E.L.K. Lighting, Inc. Catalog No. 2900. © 2009. (2 pages include rear cover).\*

\* cited by examiner

*Primary Examiner* — Clare E Heflin

(74) *Attorney, Agent, or Firm* — Thomas|Horstemeyer, LLP

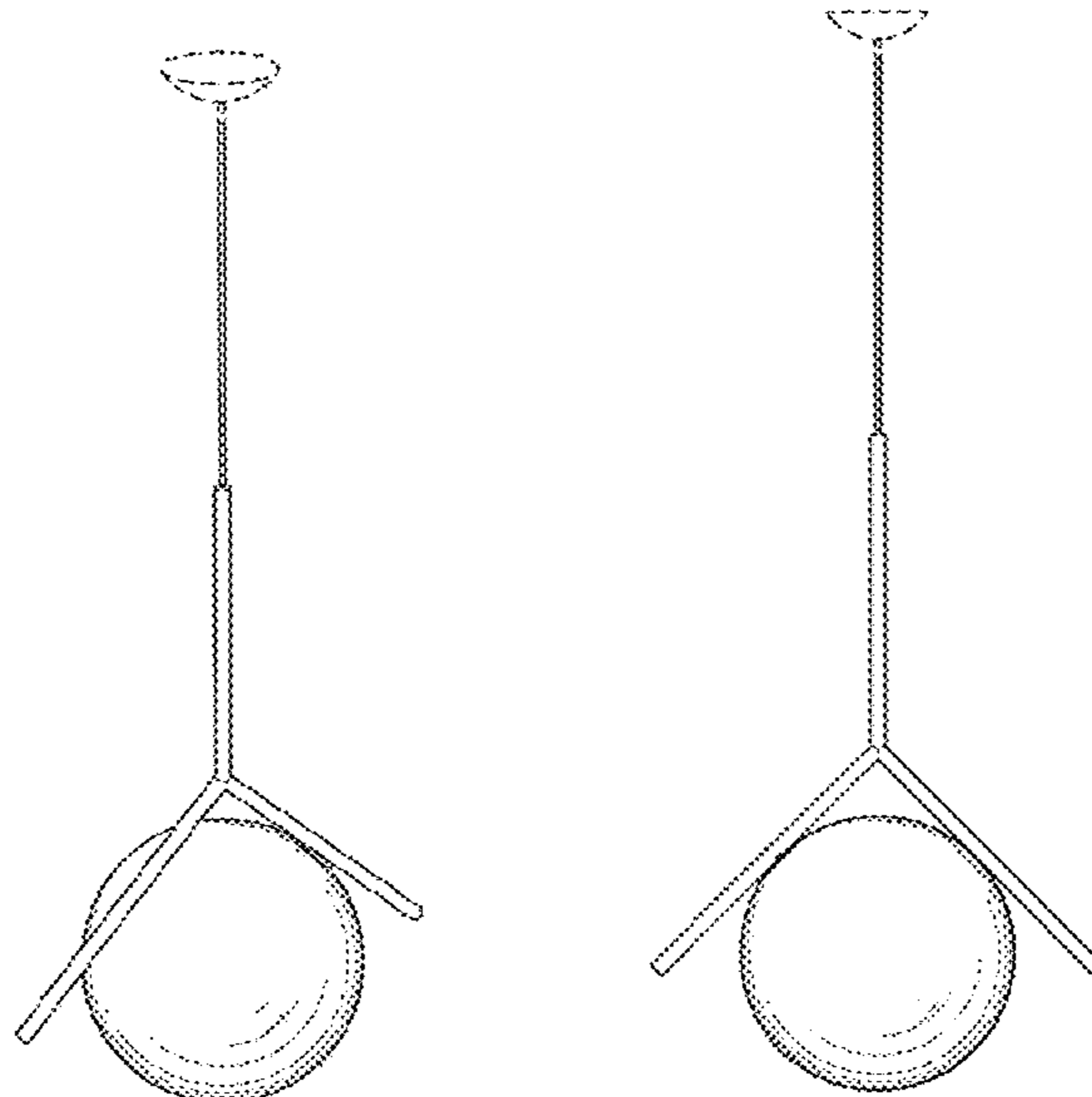
(57) **CLAIM**

The ornamental design for a suspension lamp, as shown and described.

**DESCRIPTION**

FIG. 1 is a perspective view of my new suspension lamp; FIG. 2 is a side elevational view of my new suspension lamp; FIG. 3 is another side elevational view of my new suspension lamp from a side opposite that of FIG. 2; FIG. 4 is a front elevational view of my new suspension lamp; FIG. 5 is a rear elevational view of my new suspension lamp, opposite that of FIG. 4; FIG. 6 is a top view of my new suspension lamp; and, FIG. 7 is a bottom view of my new suspension lamp. The support member is shown broken away to indicate no specific length is claimed. The broken line showing of portions of the suspension lamp in the figures is included for the purpose of illustrating environmental structure and forms no part of the claimed design.

**1 Claim, 7 Drawing Sheets**



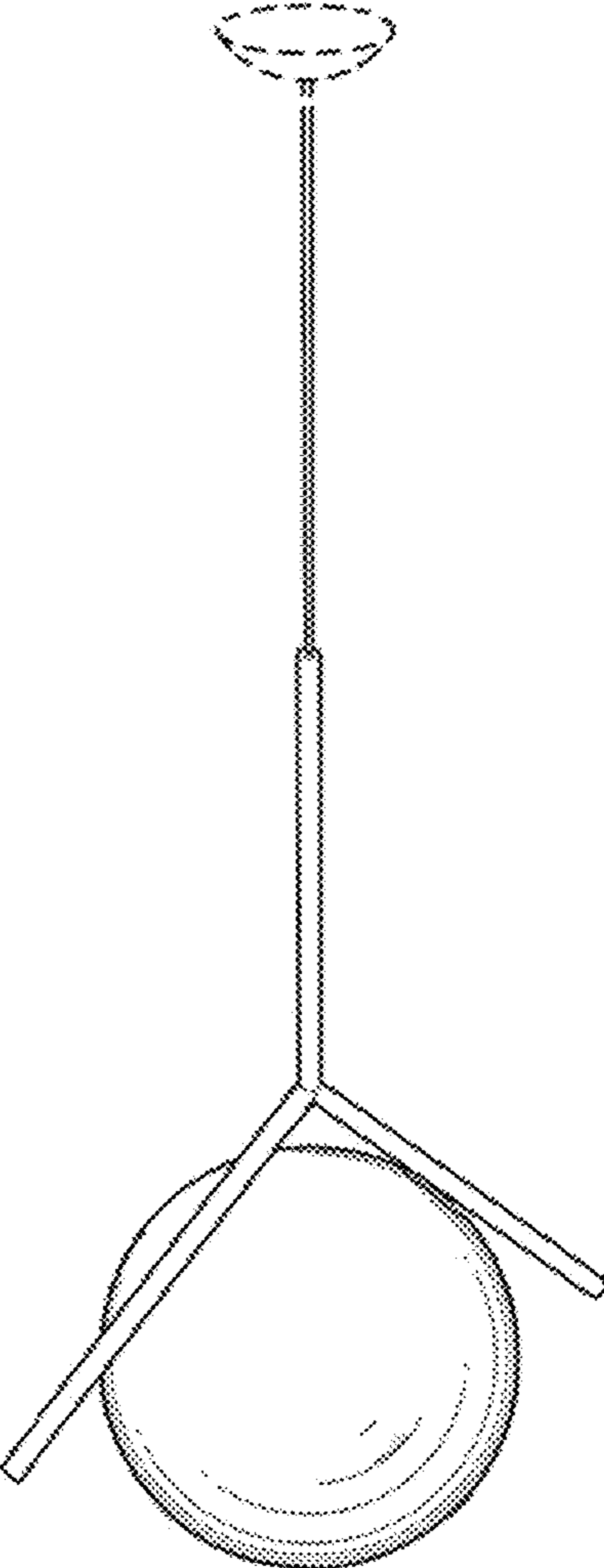


FIG. 1

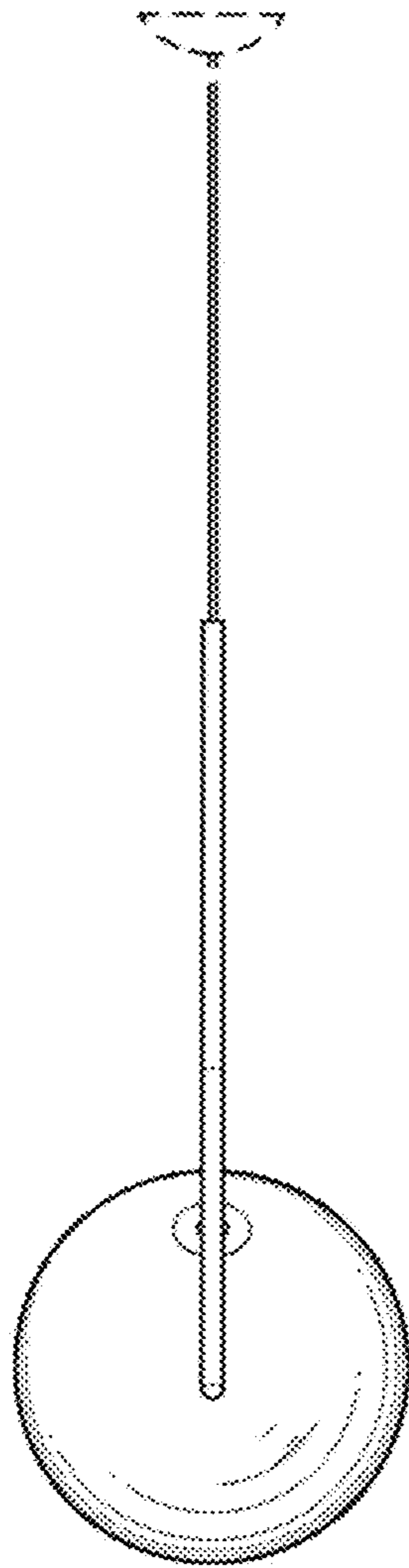


FIG. 2

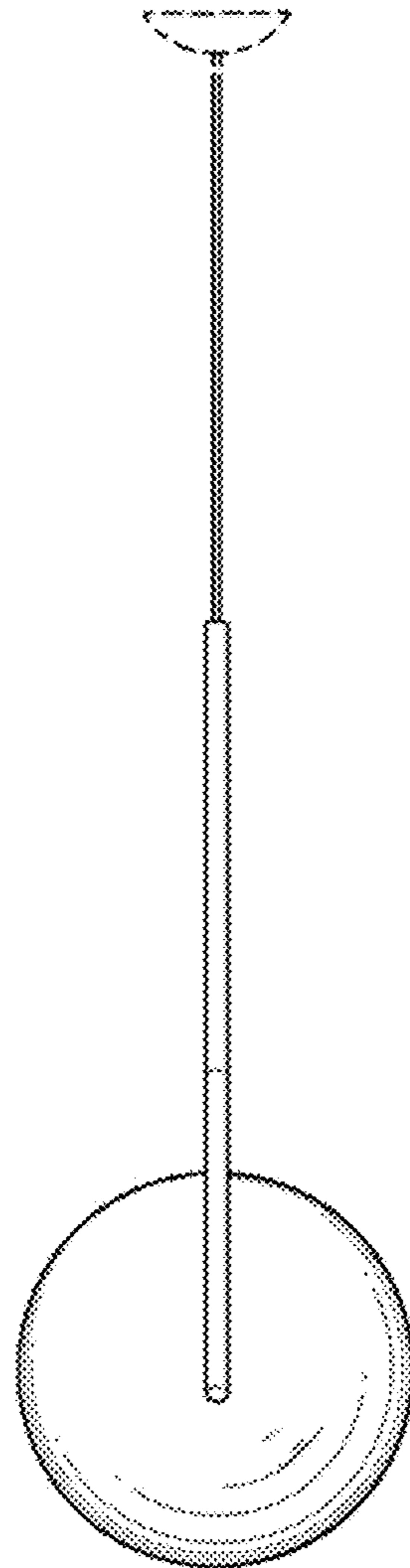


FIG. 3

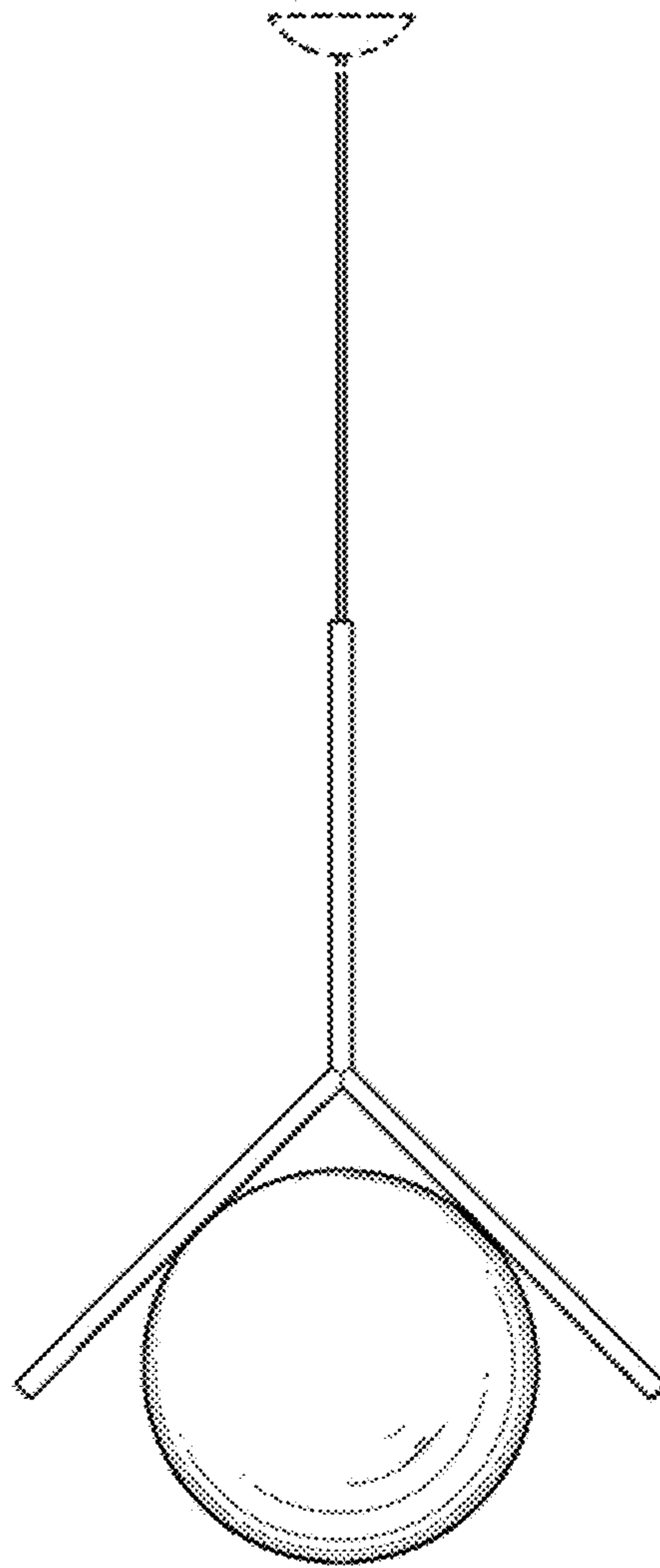


FIG. 4

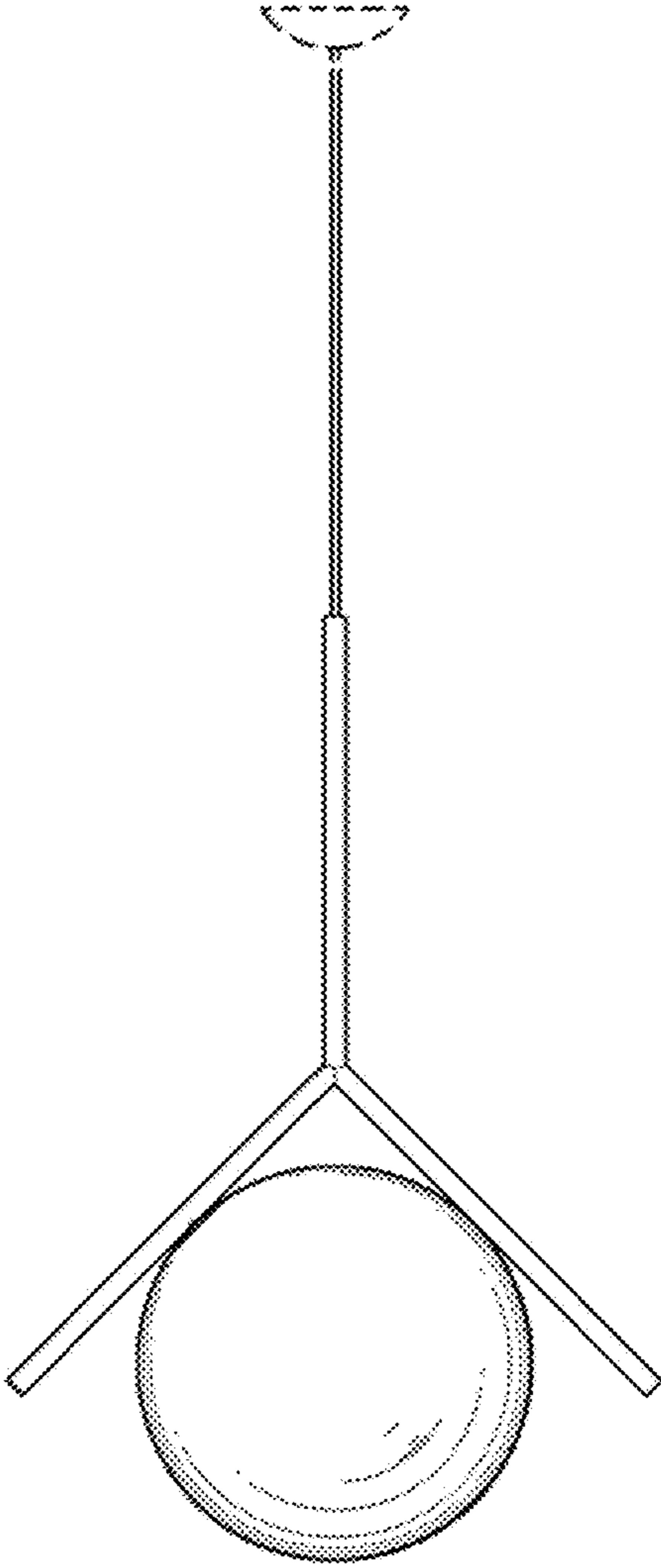


FIG. 5

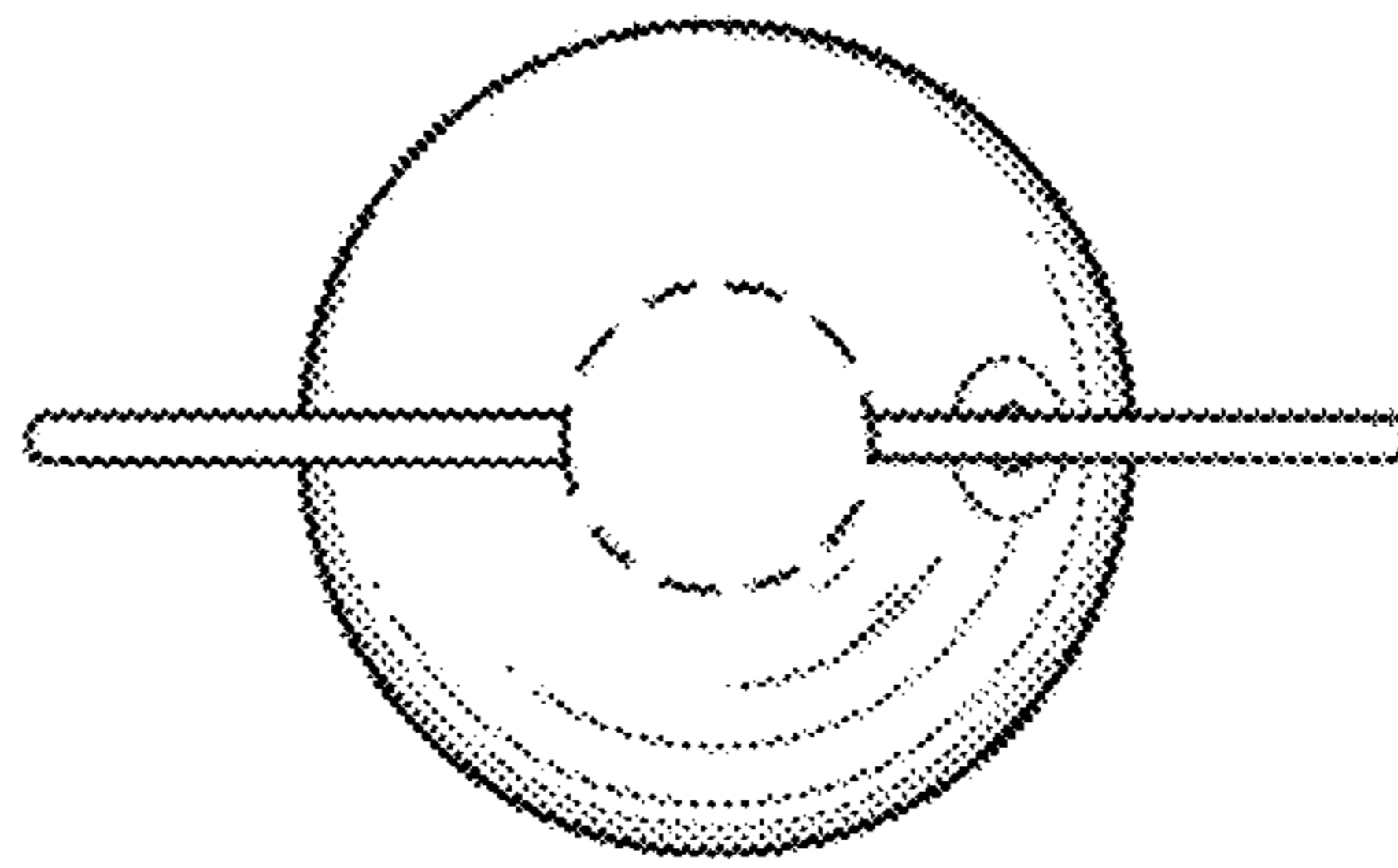


FIG. 6

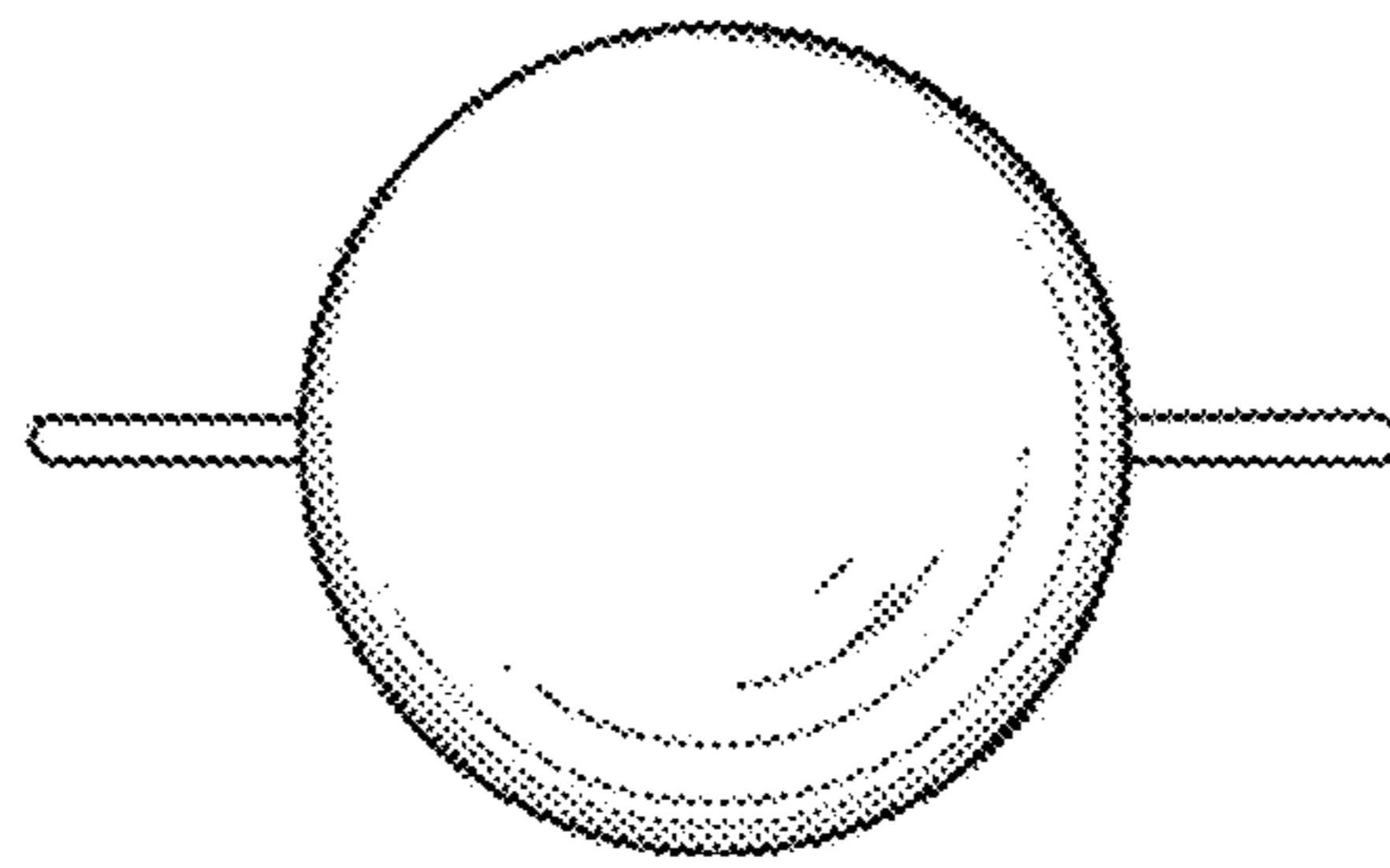


FIG. 7