



US00D720488S

(12) **United States Design Patent**
Toyohisa et al.

(10) **Patent No.:** **US D720,488 S**
(45) **Date of Patent:** **** Dec. 30, 2014**

(54) **FLUSH CEILING LIGHT**

FOREIGN PATENT DOCUMENTS

(75) Inventors: **Shozo Toyohisa**, Kawasaki (JP); **Chie Kanazawa**, Higashiomi (JP)

JP D1160825 12/2002
JP 1163381 * 1/2003

(Continued)

(73) Assignees: **KILT Planning Office Inc.**, Kanagawa (JP); **KYOCERA Corporation**, Kyoto (JP)

OTHER PUBLICATIONS

Recessed TC-L Daylite luminaires, Thorlux.com, online. Site visited Apr. 1, 2014. Internet URL: <"http://www.thorlux.com/luminaires/hi-style-pro-daylite?type=recessed">.*

(Continued)

(**) Term: **14 Years**

(21) Appl. No.: **29/425,837**

Primary Examiner — Garth Rademaker

Assistant Examiner — Llorellys Martinez-Rivera

(22) Filed: **Jun. 27, 2012**

(74) *Attorney, Agent, or Firm* — Birch, Stewart, Kolasch & Birch, LLP

(30) **Foreign Application Priority Data**

Dec. 28, 2011 (JP) 2011-030622
Dec. 28, 2011 (JP) 2011-030623
Dec. 28, 2011 (JP) 2011-030624
Dec. 28, 2011 (JP) 2011-030625

(57) **CLAIM**

The ornamental design for a flush ceiling light, as shown and described.

DESCRIPTION

(51) **LOC (10) Cl.** **26-05**

(52) **U.S. Cl.**
USPC **D26/74**

(58) **Field of Classification Search**
USPC D26/2, 3, 16, 56, 104, 113, 26, 72-89, D26/93, 118-120, 138, 139, 142; D25/58, D25/69, 110, 138, 142, 156; 362/29, 30, 84, 362/97.1, 97.2, 125, 147-150, 217.08, 362/217.1, 217.11, 217.15, 217.16, 222, 362/223, 240, 257, 260, 329, 330, 332, 336, 362/349, 355, 362, 364-368, 375, 404, 554, 362/576, 632-634; D23/370-377, D23/378-385; D14/250

See application file for complete search history.

FIG. 1 is a bottom perspective view of a flush ceiling light showing our new design;
FIG. 2 is a top perspective view thereof;
FIG. 3 is a bottom view thereof;
FIG. 4 is a front view thereof, the back view being identical thereto;
FIG. 5 is a right side view thereof, the left side view being identical thereto;
FIG. 6 is a top view thereof;
FIG. 7 is a sectional view thereof, taken along the 7-7 line of FIG. 3;
FIG. 8 is a sectional view thereof, taken along the 8-8 line of FIG. 6;
FIG. 9 is a partial enlarged view showing section 9-9 of FIG. 8; and,
FIG. 10 is a partial enlarged view showing section 10-10 of FIG. 7.

In the drawings, the oblique line shading in FIGS. 7 through 10 represents transparency.

The broken line portions in the drawings represent environmental subject matter only and form no part of the claimed design.

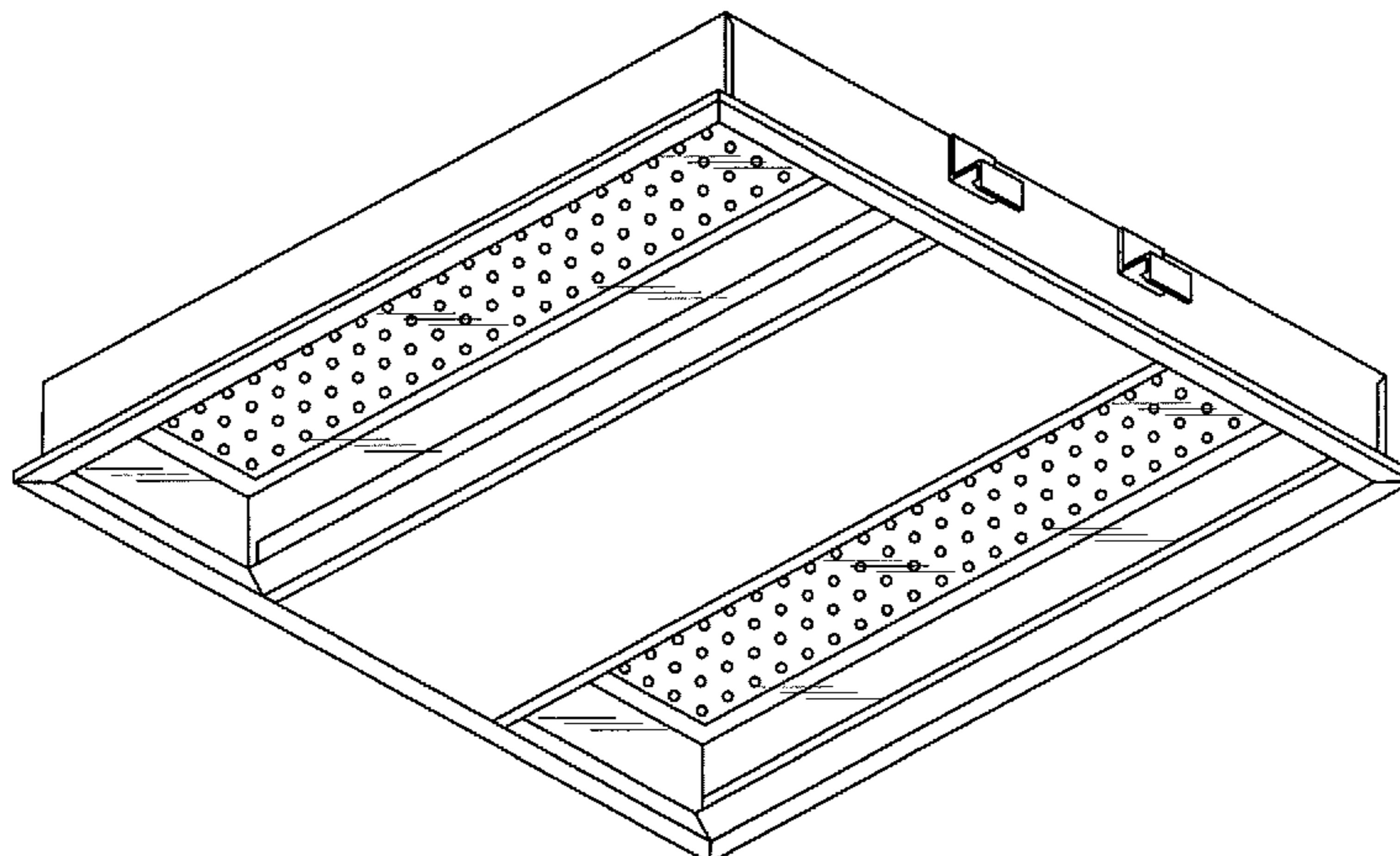
(56) **References Cited**

U.S. PATENT DOCUMENTS

D100,215 S * 6/1936 Kilpfel D25/69
D168,974 S * 3/1953 Spaulding D26/76

(Continued)

1 Claim, 6 Drawing Sheets



(56)

References Cited

U.S. PATENT DOCUMENTS

D190,596 S * 6/1961 Franck et al. D26/76
 D287,888 S * 1/1987 Castor et al. D26/59
 4,749,191 A * 6/1988 Gipson et al. 280/164.2
 D320,283 S * 9/1991 Burkarth D26/121
 D393,734 S * 4/1998 Casteel D26/76
 D434,158 S * 11/2000 Armstrong et al. D25/69
 D441,117 S * 4/2001 Grimm D26/76
 D446,333 S * 8/2001 Frois D26/76
 D477,891 S * 7/2003 Fritze et al. D26/74
 D478,977 S * 8/2003 Snyder D23/388
 D551,379 S * 9/2007 Maxik D26/74
 D596,778 S * 7/2009 Yamazato D26/76
 D611,644 S * 3/2010 Tsai D26/77
 D618,332 S * 6/2010 Kimura et al. D23/388
 D628,335 S * 11/2010 Hyland D26/74
 D629,957 S * 12/2010 Lodhie D26/118
 D631,601 S * 1/2011 Lodhie D26/122
 D632,518 S * 2/2011 Schmidt et al. D6/561
 D632,821 S * 2/2011 Culbert D26/74
 D637,752 S * 5/2011 Mekhtarian D26/72
 D641,913 S * 7/2011 Lagutko D26/89
 D646,012 S * 9/2011 Irvine D26/74
 D656,929 S * 4/2012 Hsiung D14/250
 D658,373 S * 5/2012 Gros D3/273
 D677,824 S * 3/2013 Maxik et al. D26/89
 D680,254 S * 4/2013 Mayfield et al. D26/74

D680,256 S * 4/2013 Kong et al. D26/83
 D694,226 S * 11/2013 Thompson et al. D14/250
 D699,884 S * 2/2014 Savani D26/76
 D701,341 S * 3/2014 Mayfield et al. D26/74
 D701,636 S * 3/2014 Maxik et al. D26/89
 2007/0206376 A1* 9/2007 Lippis et al. 362/147
 2010/0254121 A1* 10/2010 Zhou 362/147

FOREIGN PATENT DOCUMENTS

JP D1351936 2/2009
 JP D1353992 S 3/2009
 JP D1354211 S 3/2009
 JP D1354212 3/2009
 JP D1412386 S 5/2011
 KR 20090016891 * 5/2010

OTHER PUBLICATIONS

Notice of Rejection; Design Application 2011-030623 (Jun. 12, 2012)
 Notice of Rejection; Design Application 2011-030622 (Jun. 12, 2012).
 Cited design prior art (LifeLED's general catalog illustration), published on Mar. 4, 2011 by National Center for Industrial Property Information (JPO Design Division documents card No. HC23001686).

* cited by examiner

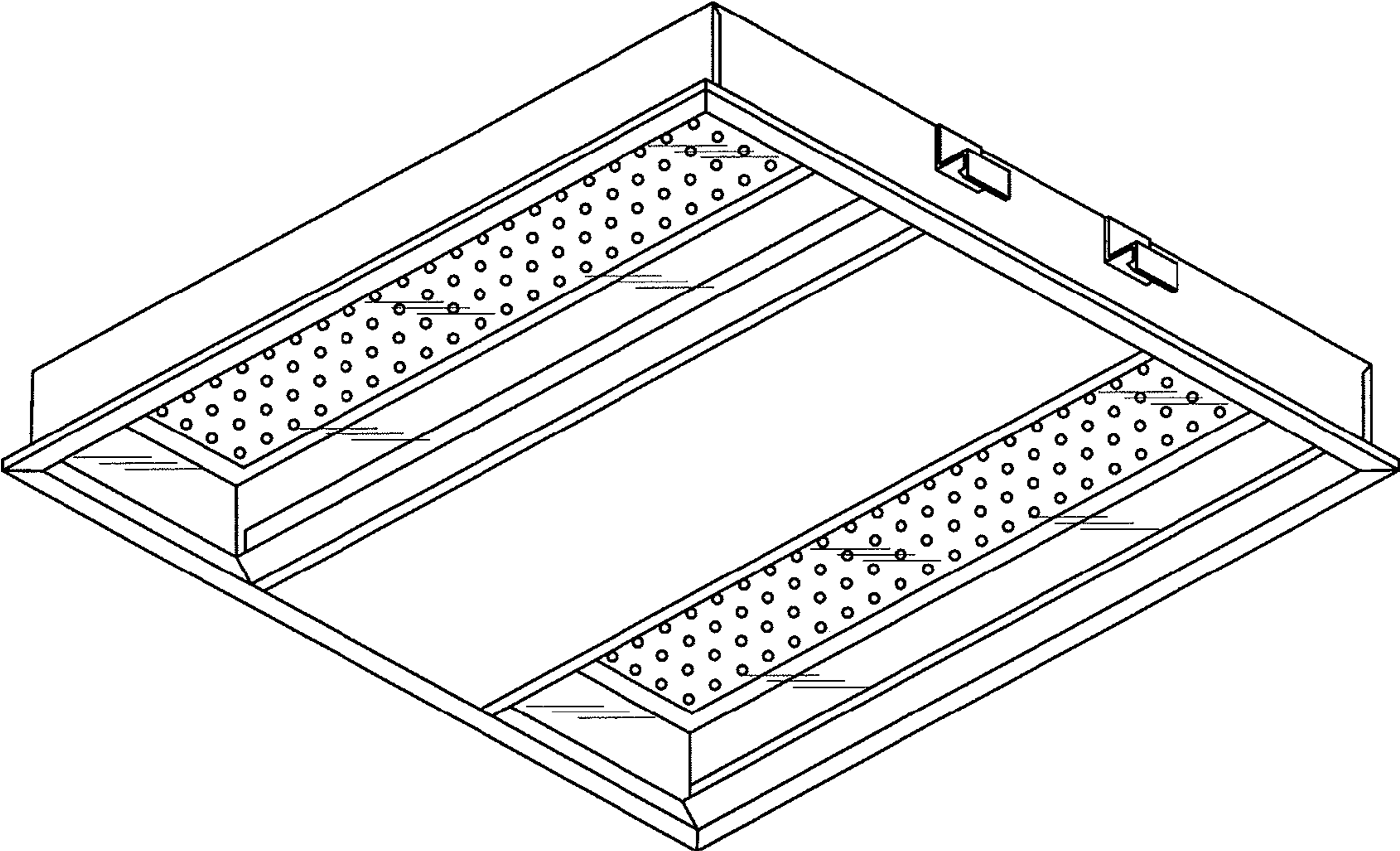


FIG.1

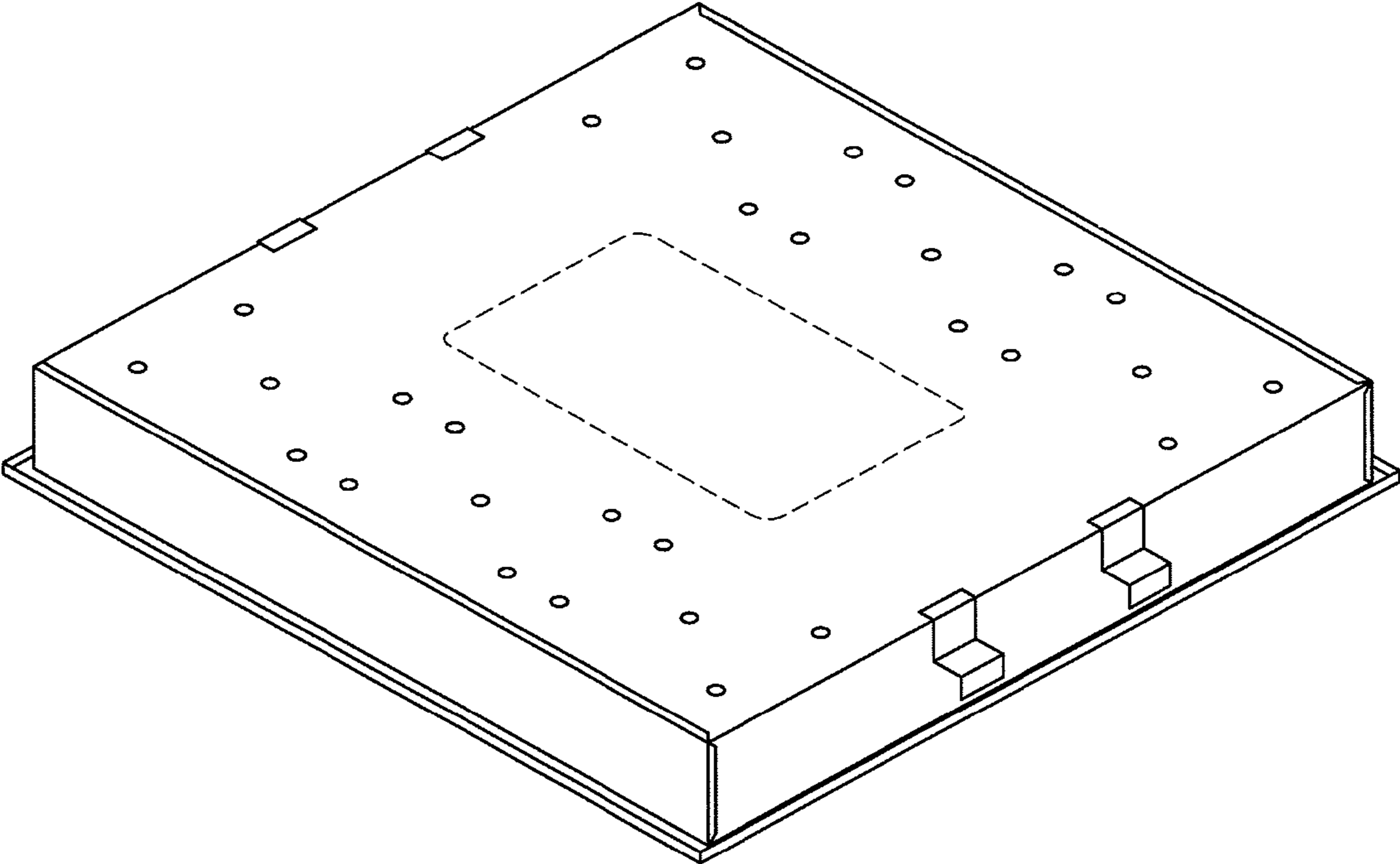


FIG.2

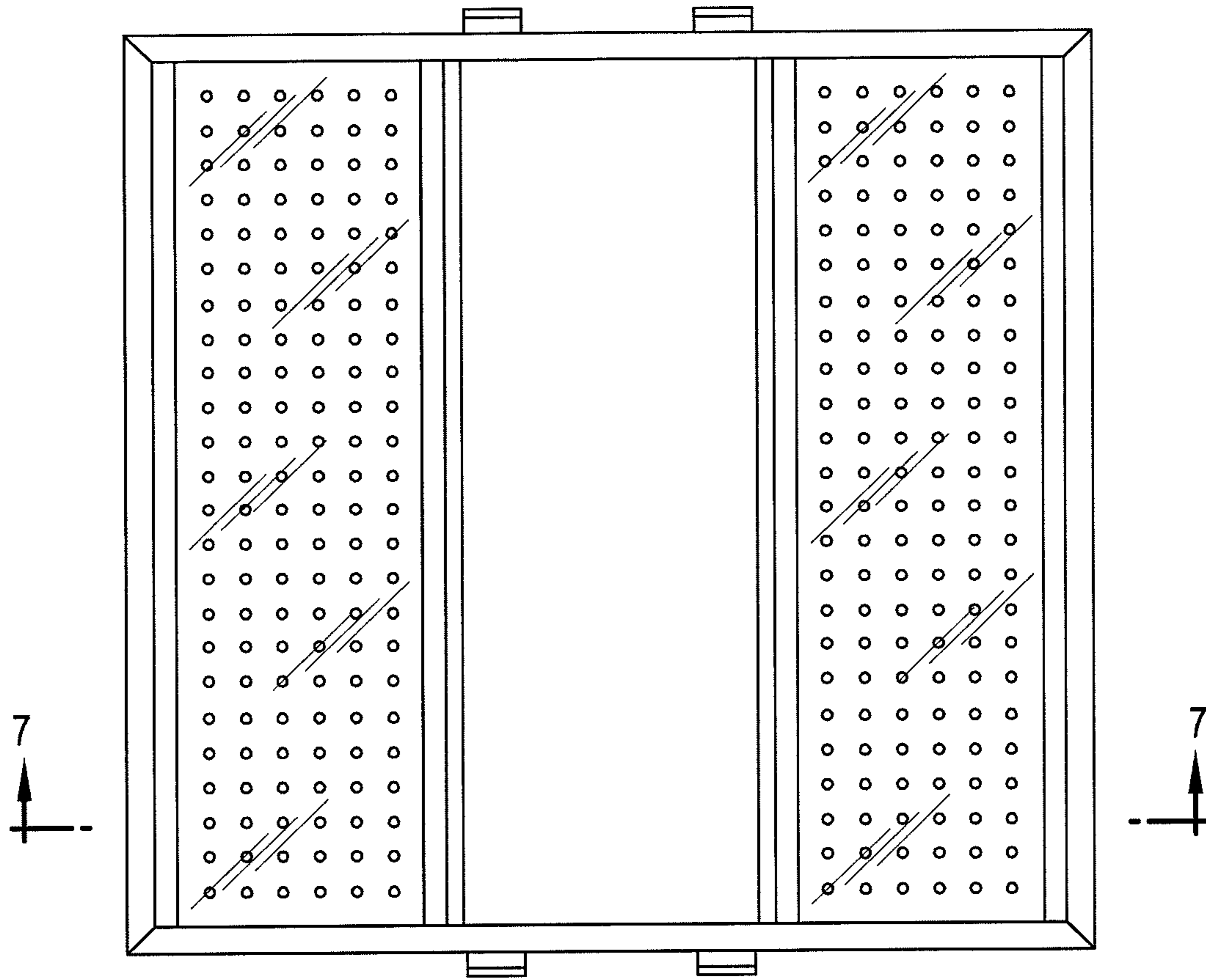


FIG. 3



FIG. 4



FIG. 5

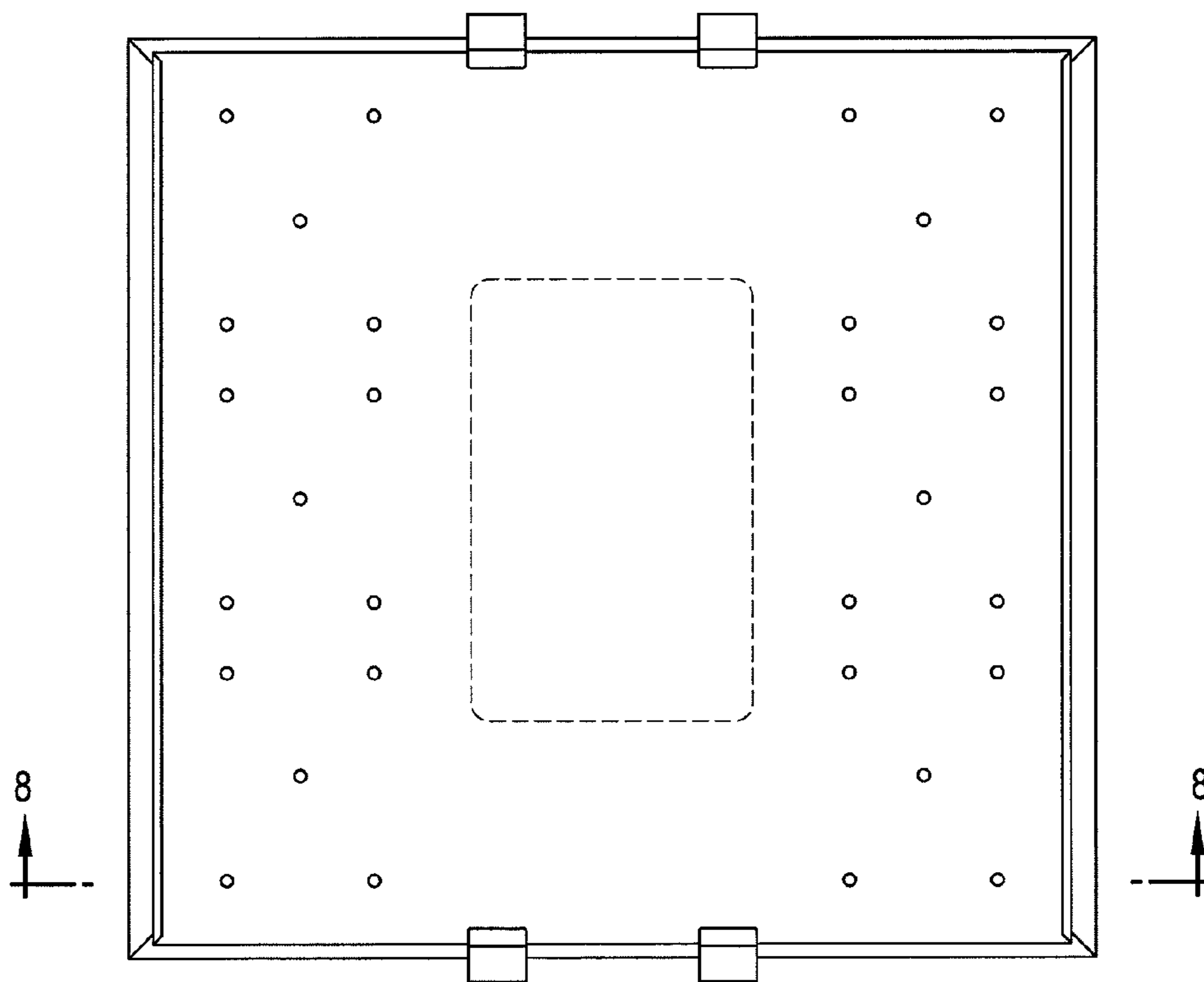


FIG. 6

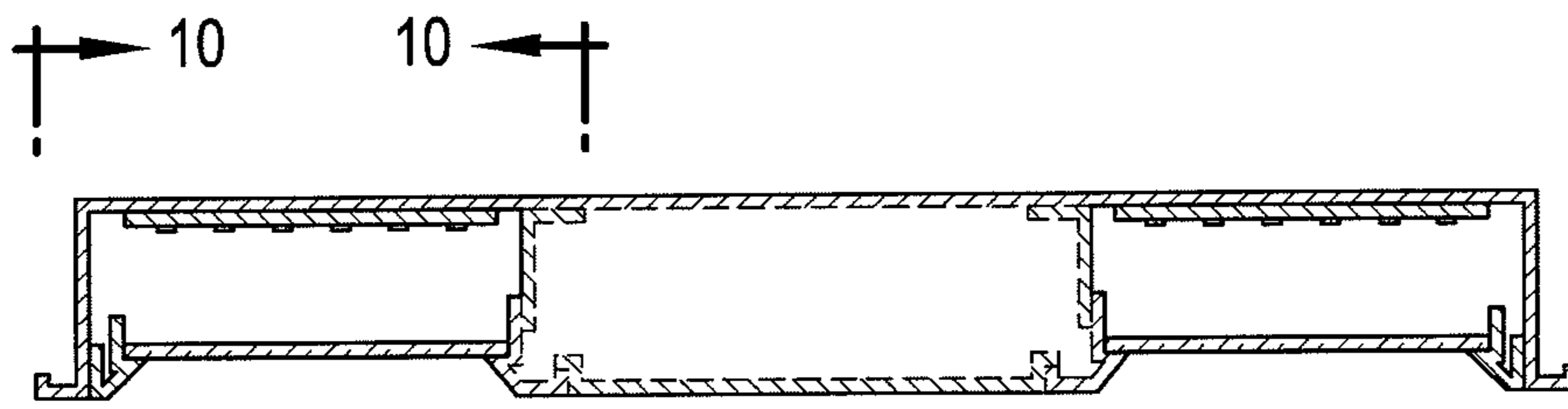


FIG.7

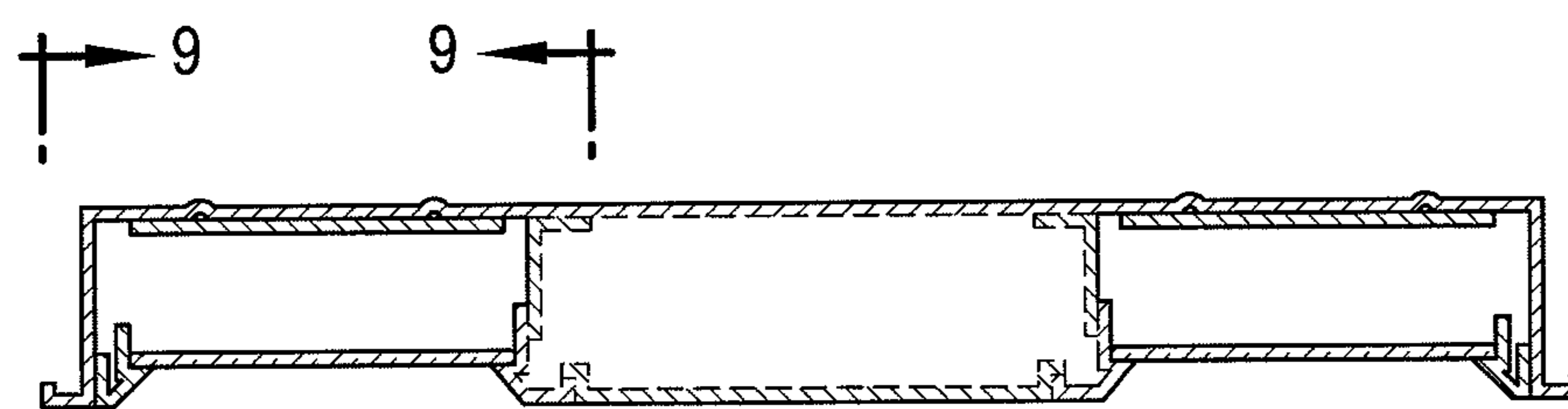


FIG.8

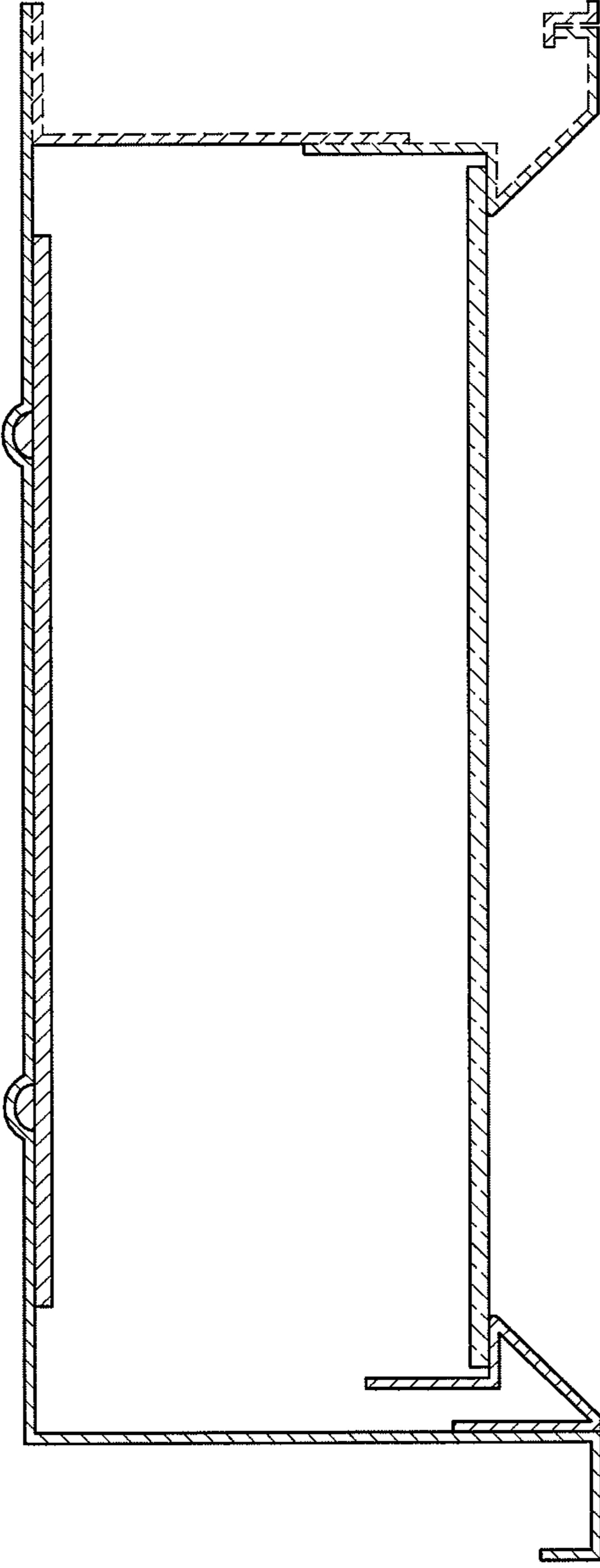


FIG.9

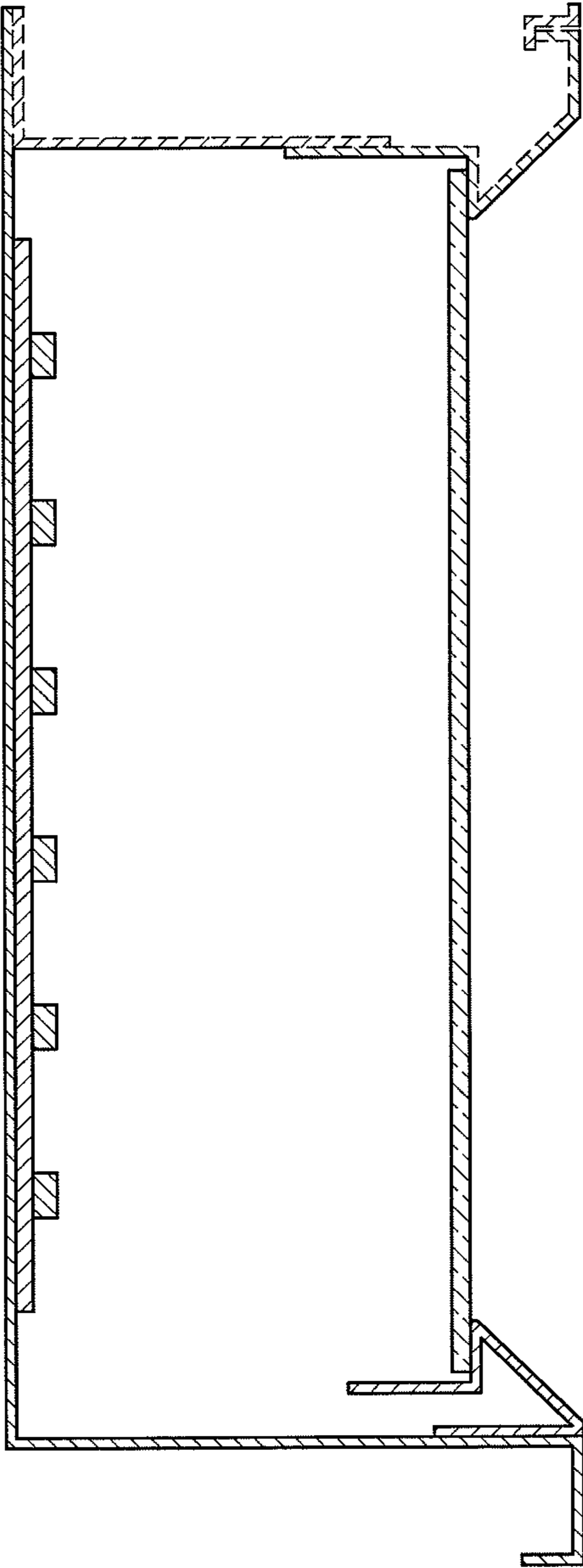


FIG.10