



US00D720487S

(12) **United States Design Patent**
Moeller

(10) **Patent No.:** **US D720,487 S**

(45) **Date of Patent:** **** Dec. 30, 2014**

(54) **EXTERIOR/INTERIOR LIGHTS**

(56) **References Cited**

(71) Applicant: **Steinel GmbH**, Herzebrock (DE)

U.S. PATENT DOCUMENTS

(72) Inventor: **Thomas Moeller**, Herford (DE)

D392,066 S * 3/1998 Morrow et al. D26/65

(73) Assignee: **Steinel GmbH**, Herzebrock (DE)

D581,080 S * 11/2008 Mier-Langner D26/63

(**) Term: **14 Years**

D625,870 S * 10/2010 Feigenbaum D26/63

D645,594 S * 9/2011 Grawe D26/63

D702,865 S * 4/2014 Yuen D26/63

2009/0175691 A1 7/2009 Hirschek

FOREIGN PATENT DOCUMENTS

(21) Appl. No.: **29/434,390**

GB 1 177 942 1/1970

(22) Filed: **Oct. 12, 2012**

* cited by examiner

(30) **Foreign Application Priority Data**

Primary Examiner — Brian N Vinson

Apr. 12, 2012 (EM) 002024679-0001

(74) *Attorney, Agent, or Firm* — Bachman & LaPointe, PC

Apr. 12, 2012 (EM) 002024679-0002

(57) **CLAIM**

Apr. 12, 2012 (EM) 002024679-0003

The ornamental design for interior/exterior lights, as shown and described.

(51) **LOC (10) Cl.** **26-03**

DESCRIPTION

(52) **U.S. Cl.**

USPC **D26/63**

FIG. 1 is a front and left side perspective view of interior/exterior lights showing my new design; FIG. 2 is a front elevational view thereof; FIG. 3 is a rear elevational view thereof; FIG. 4 is a top plan view thereof; FIG. 5 is a bottom view thereof; and, FIG. 6 is a side elevational view thereof. The broken-line disclosure indicates portions of the lights which form no part of the claimed design.

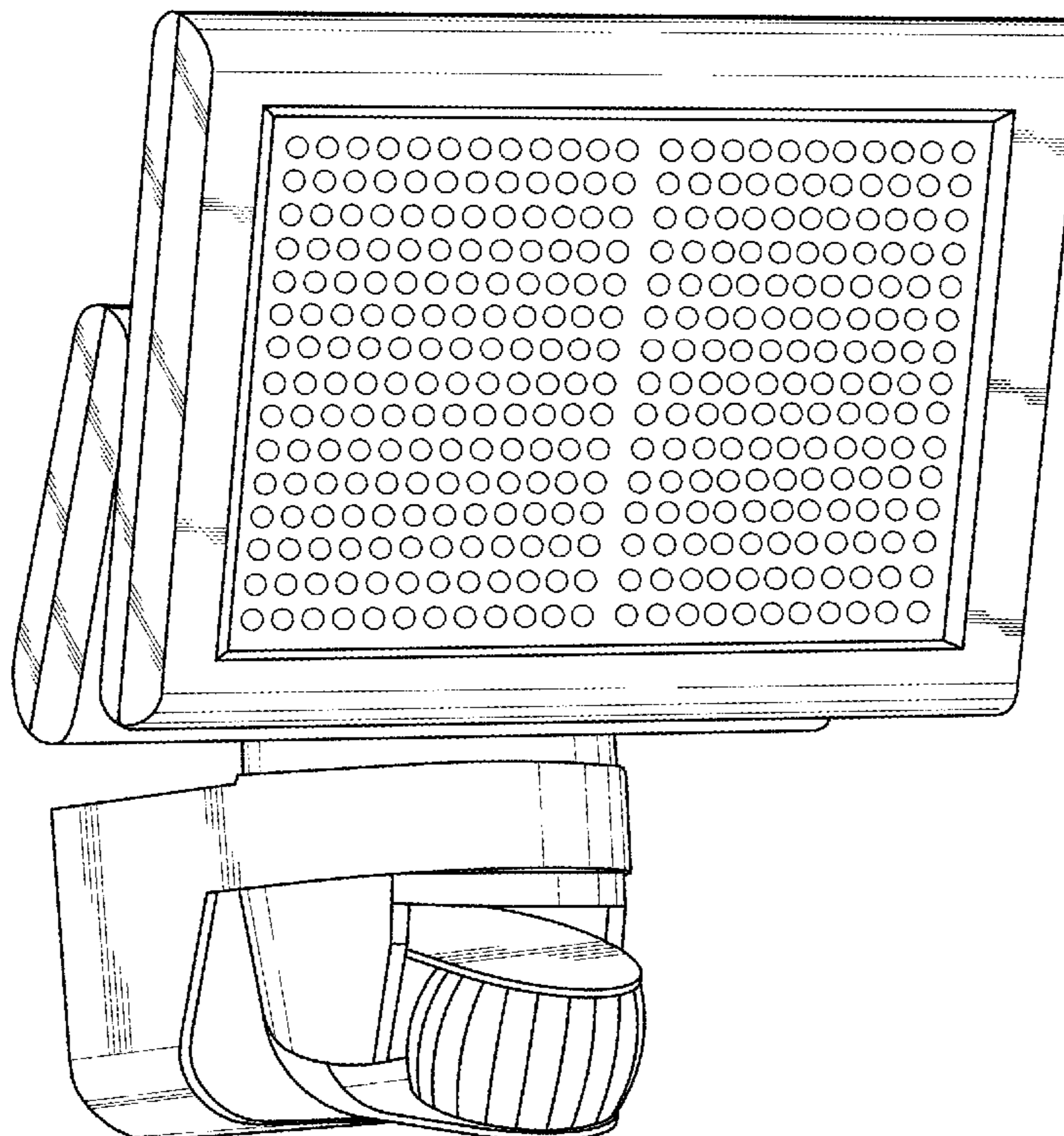
(58) **Field of Classification Search**

CPC F21S 8/02; F21V 14/04; F21V 23/0442; F21W 2131/402; F21Y 2101/02

USPC D26/1, 24, 76-78, 80, 86, 61, 63, 65; 362/100, 127, 133, 240, 605, 612, 613, 362/640, 646, 648

See application file for complete search history.

1 Claim, 6 Drawing Sheets



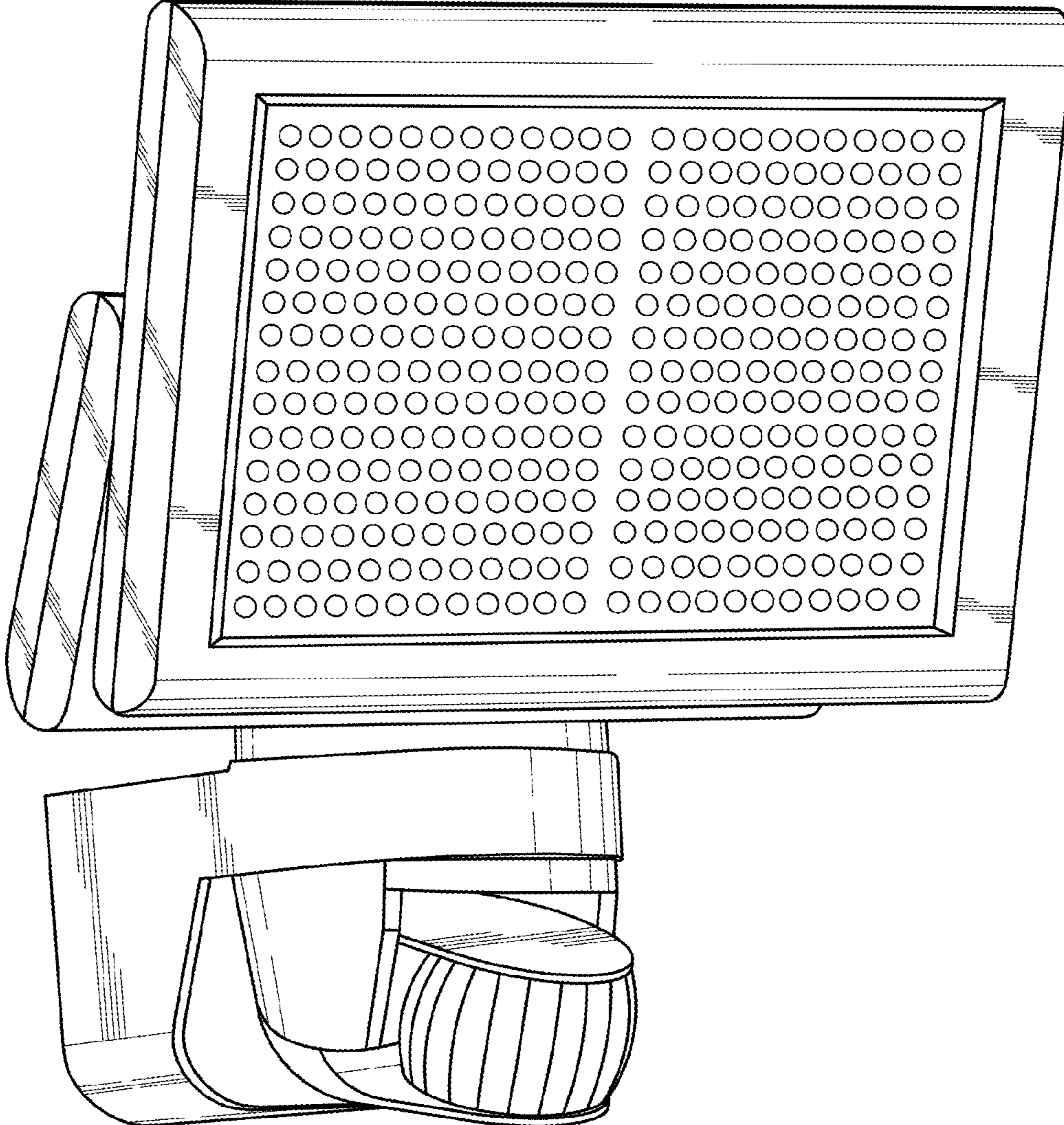


Fig. 1

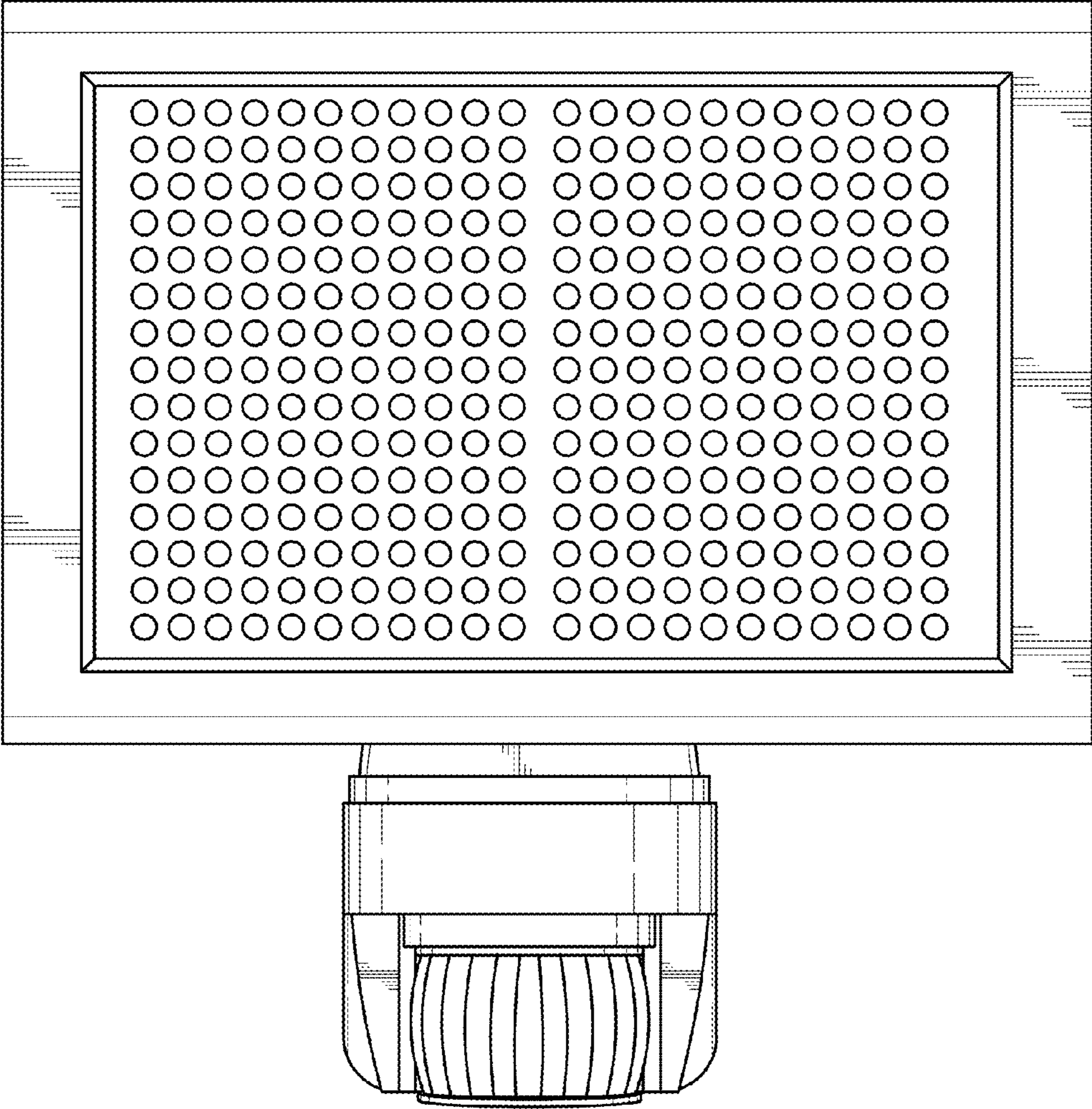


Fig. 2

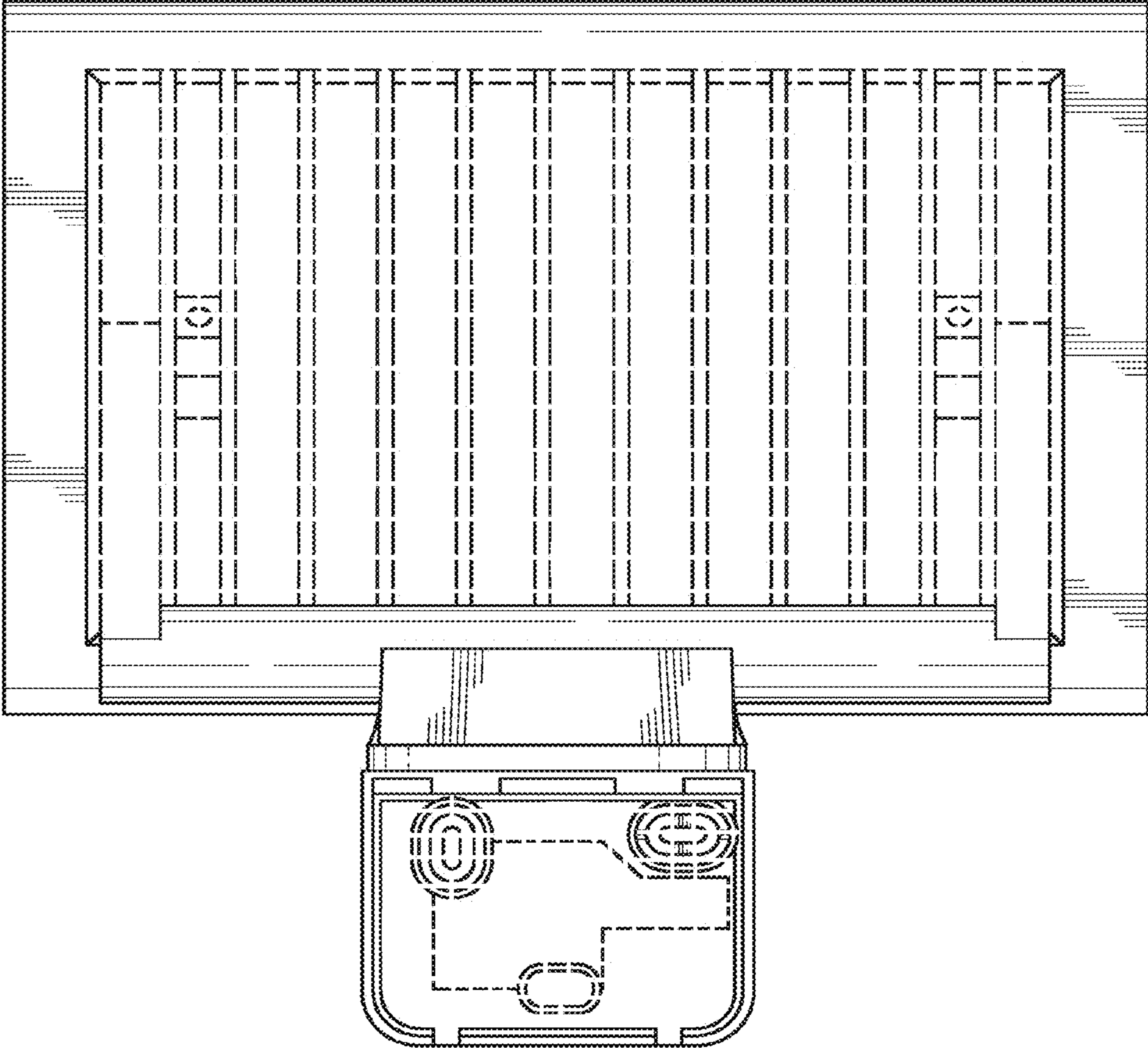


Fig. 3

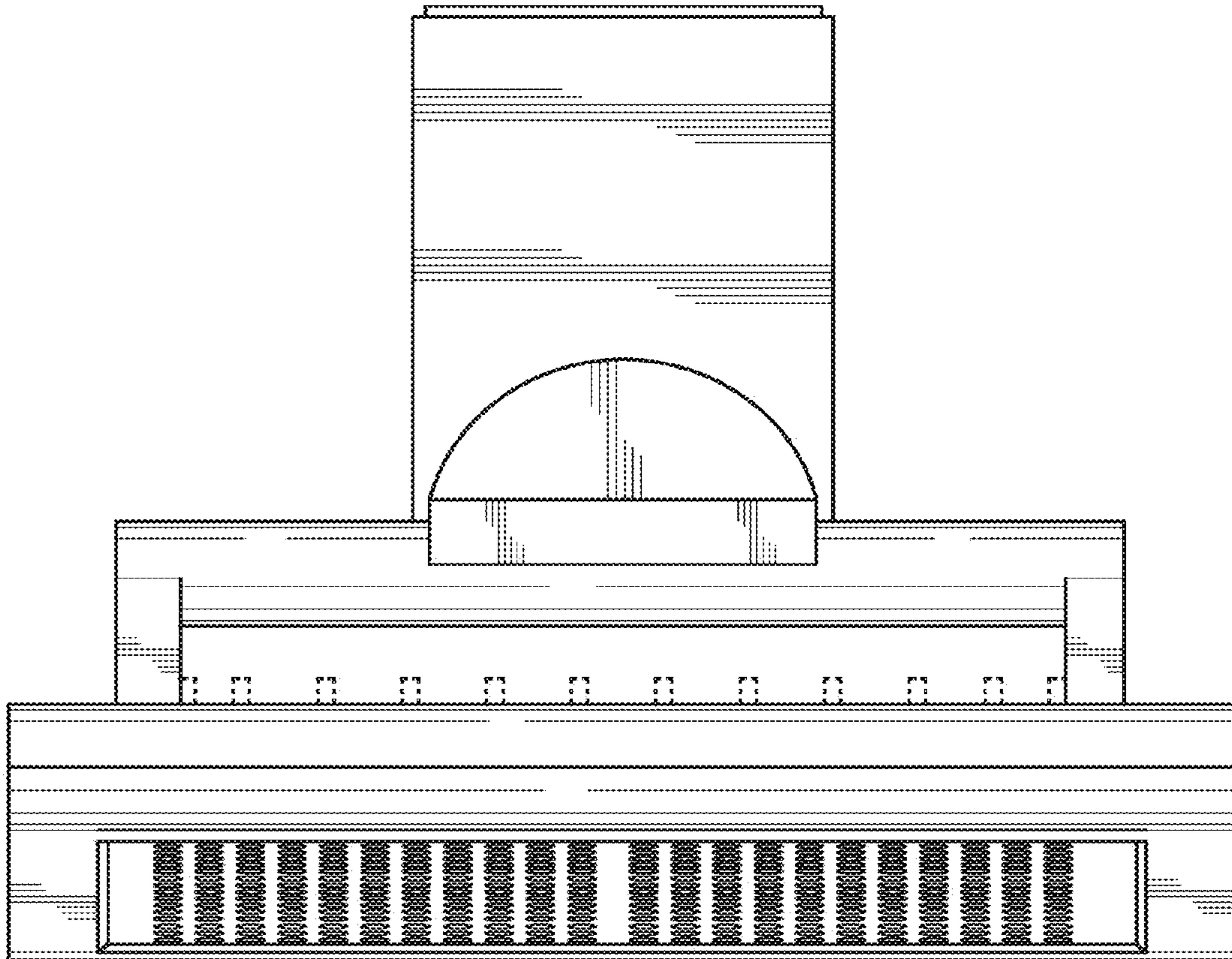


Fig. 4

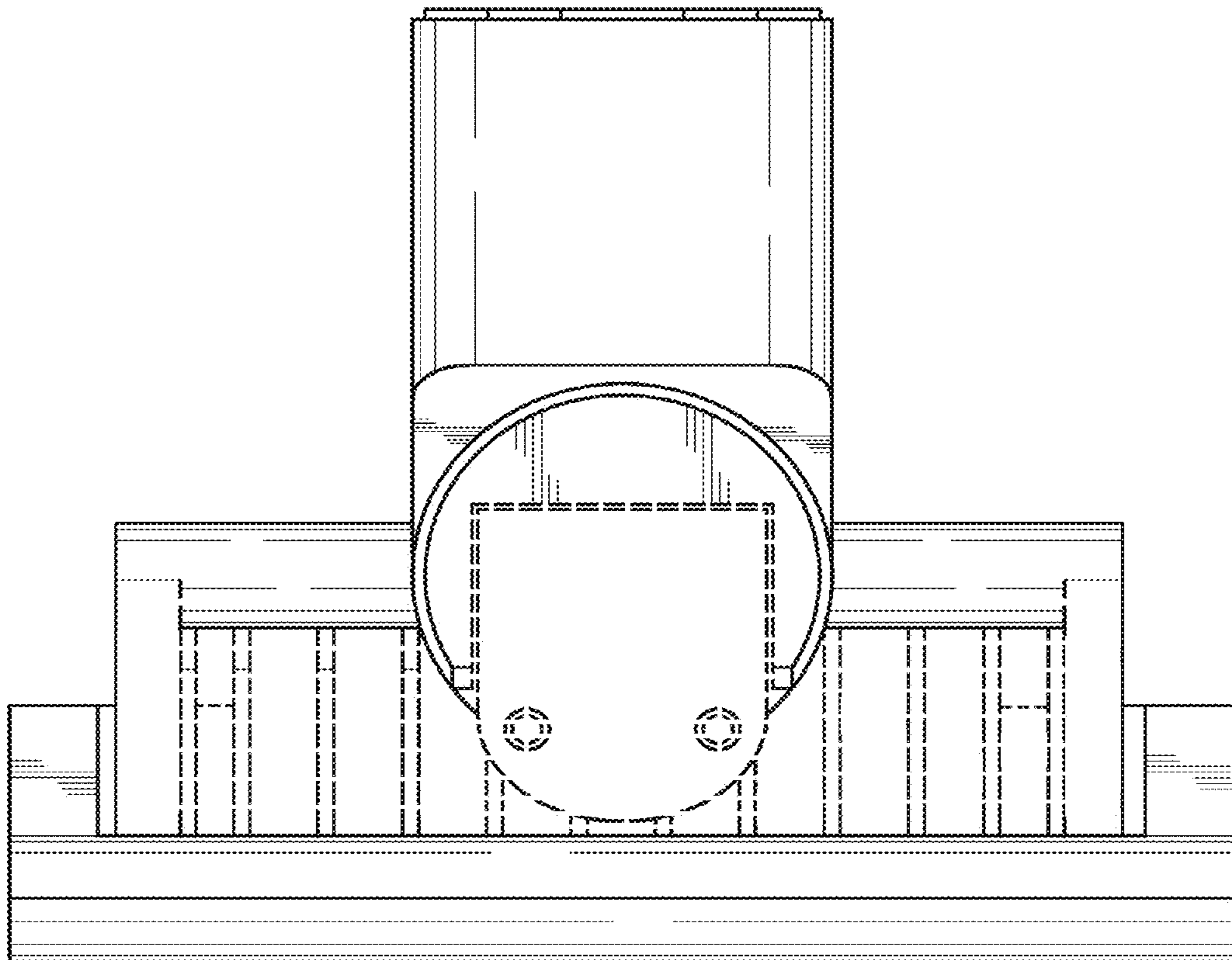


Fig. 5

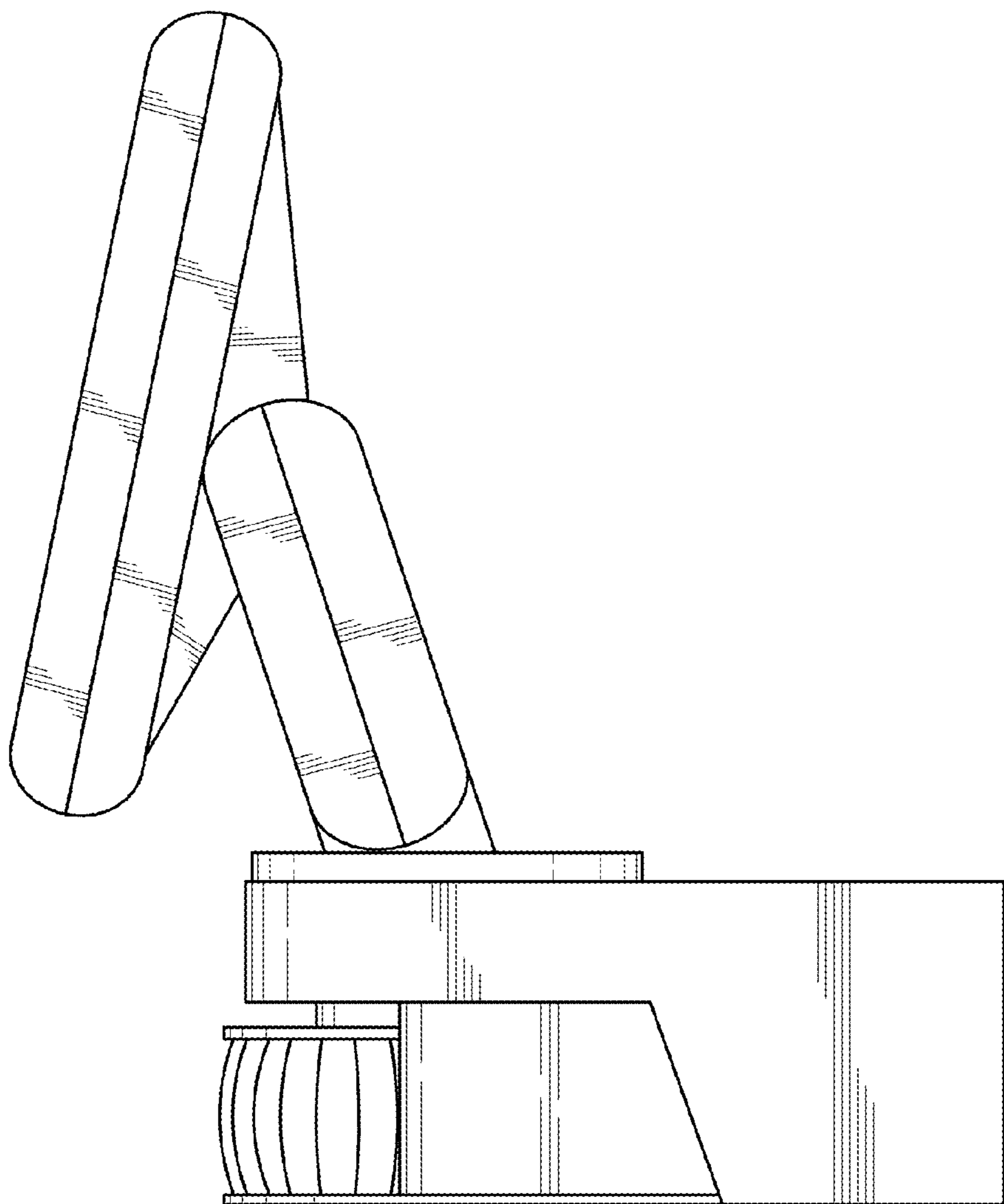


Fig. 6