



US00D720483S

(12) **United States Design Patent**  
**Saddig**

(10) **Patent No.:** **US D720,483 S**

(45) **Date of Patent:** **\*\* Dec. 30, 2014**

(54) **AUTOMOBILE LIGHTING UNIT HOUSING**

D592,778 S \* 5/2009 Chang ..... D26/28  
D606,682 S \* 12/2009 Chang ..... D26/28  
D645,177 S \* 9/2011 Okuda ..... D26/28  
D662,632 S \* 6/2012 Wilson ..... D26/28

(71) Applicant: **Lux Design LLC**, North Haven, CT  
(US)

\* cited by examiner

(72) Inventor: **Marc D. Saddig**, North Haven, CT (US)

*Primary Examiner* — Marcus Jackson

(73) Assignee: **Lux Design LLC**, North Haven, CT  
(US)

(74) *Attorney, Agent, or Firm* — Ware, Fressola, Maguire &  
Barber

(\*\*) Term: **14 Years**

(57) **CLAIM**

The ornamental design for an automobile lighting unit housing, as shown and described.

(21) Appl. No.: **29/448,157**

**DESCRIPTION**

(22) Filed: **Mar. 11, 2013**

(51) **LOC (10) Cl.** ..... **26-06**

(52) **U.S. Cl.**  
USPC ..... **D26/28**

(58) **Field of Classification Search**  
USPC ..... D26/28-36; 362/459-468, 475-478,  
362/485-487

See application file for complete search history.

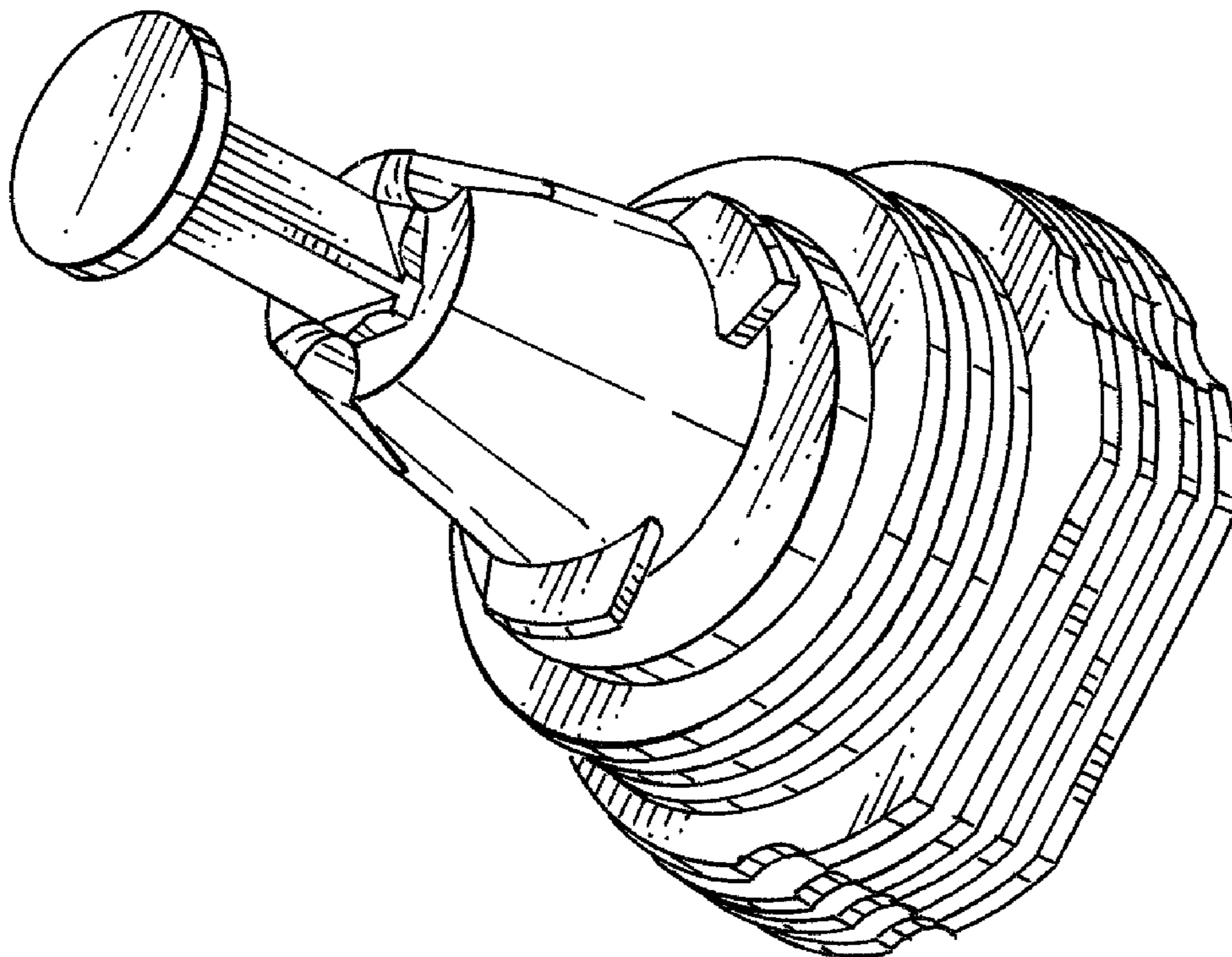
FIG. 1 is a perspective view of the automobile lighting unit housing;  
FIG. 2 is a front view of the automobile lighting unit housing;  
FIG. 3 is a rear view of the automobile lighting unit housing;  
FIG. 4 is a left side view of the automobile lighting unit housing;  
FIG. 5 is a right side view of the automobile lighting unit housing;  
FIG. 6 is a top view of the automobile lighting unit housing;  
and,  
FIG. 7 is a bottom view of the automobile lighting unit housing.

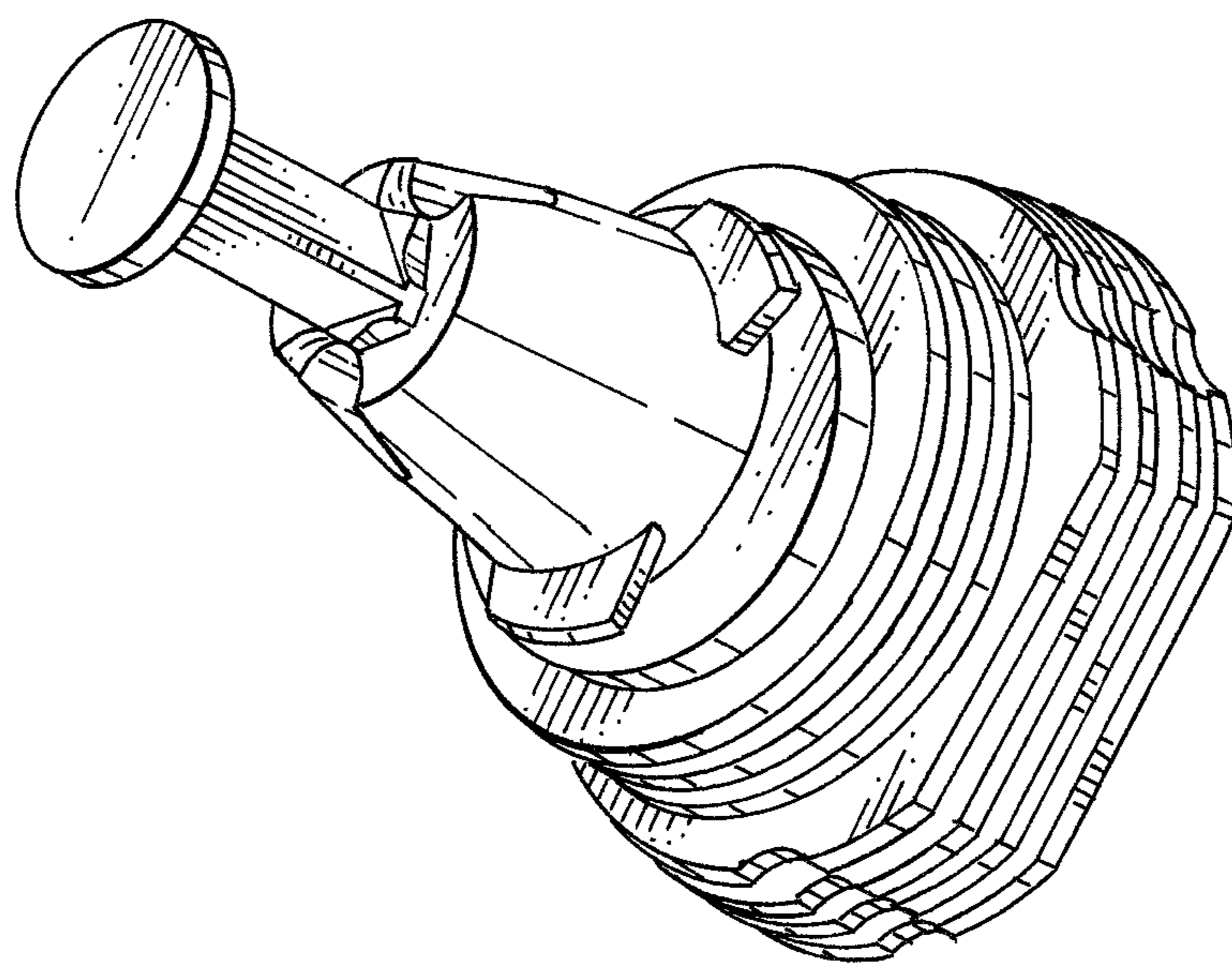
(56) **References Cited**

**U.S. PATENT DOCUMENTS**

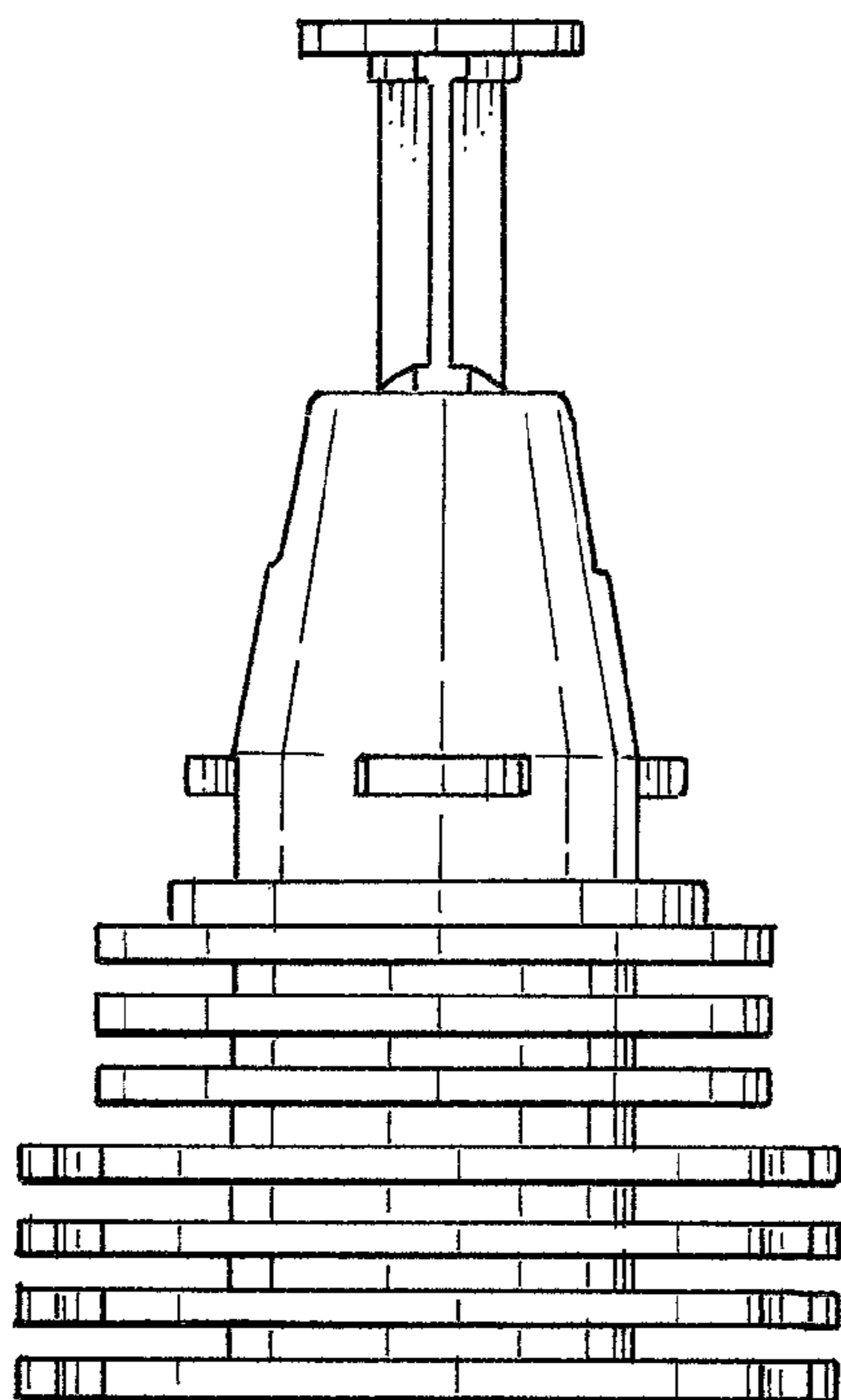
D547,889 S \* 7/2007 Huang ..... D26/28  
D570,012 S \* 5/2008 Huang ..... D26/28  
D578,678 S \* 10/2008 Huang ..... D26/28

**1 Claim, 4 Drawing Sheets**

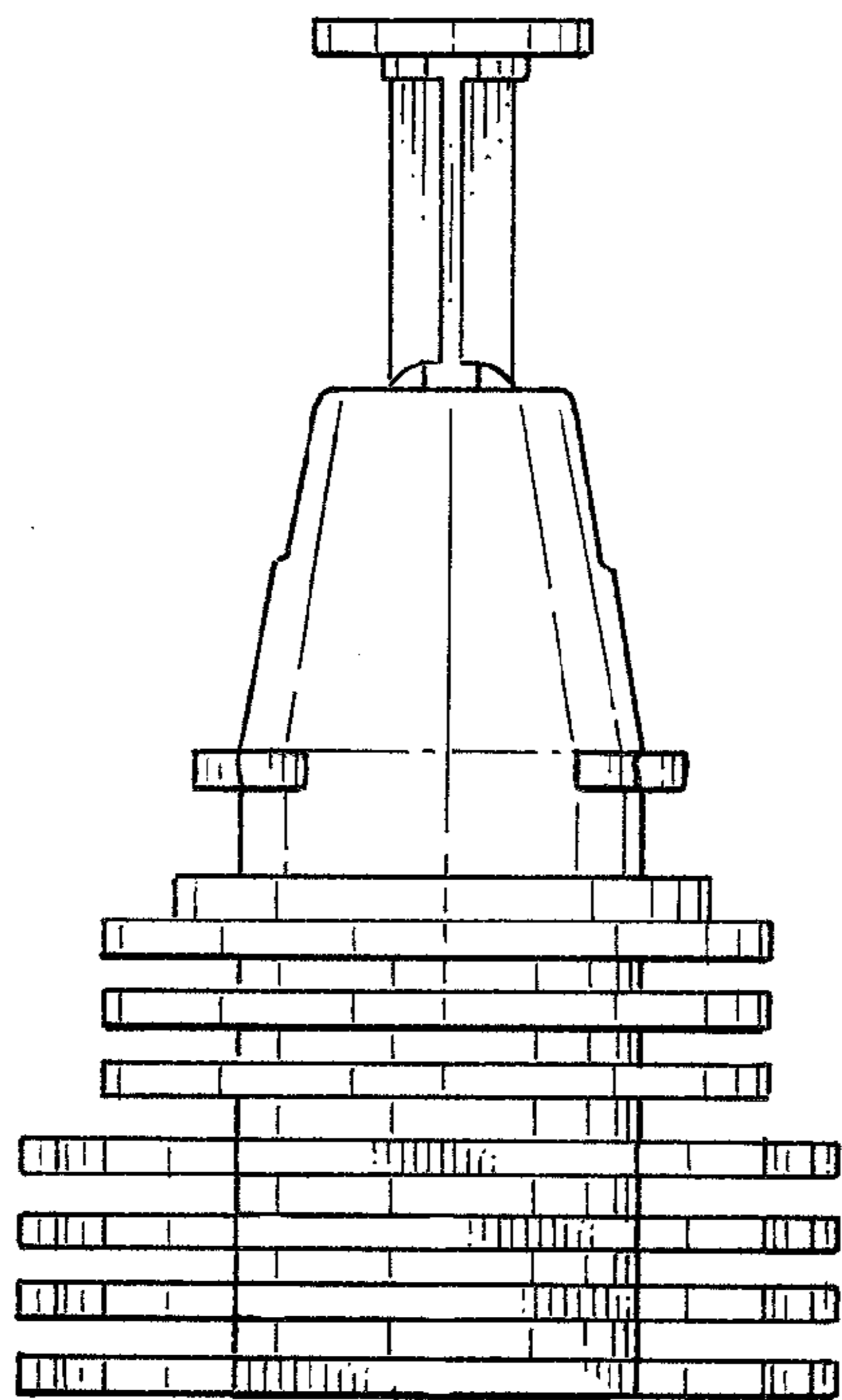




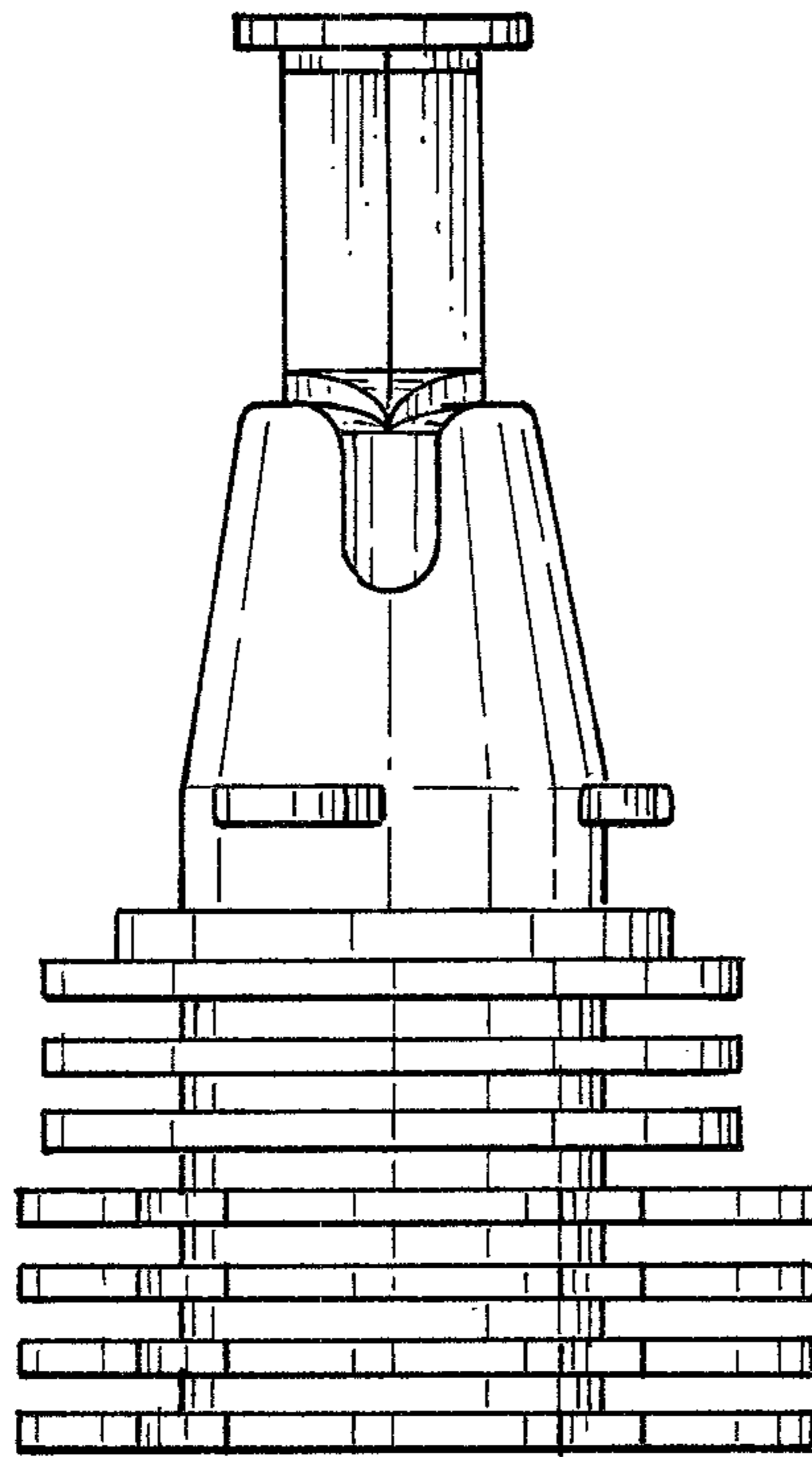
*FIG. 1*



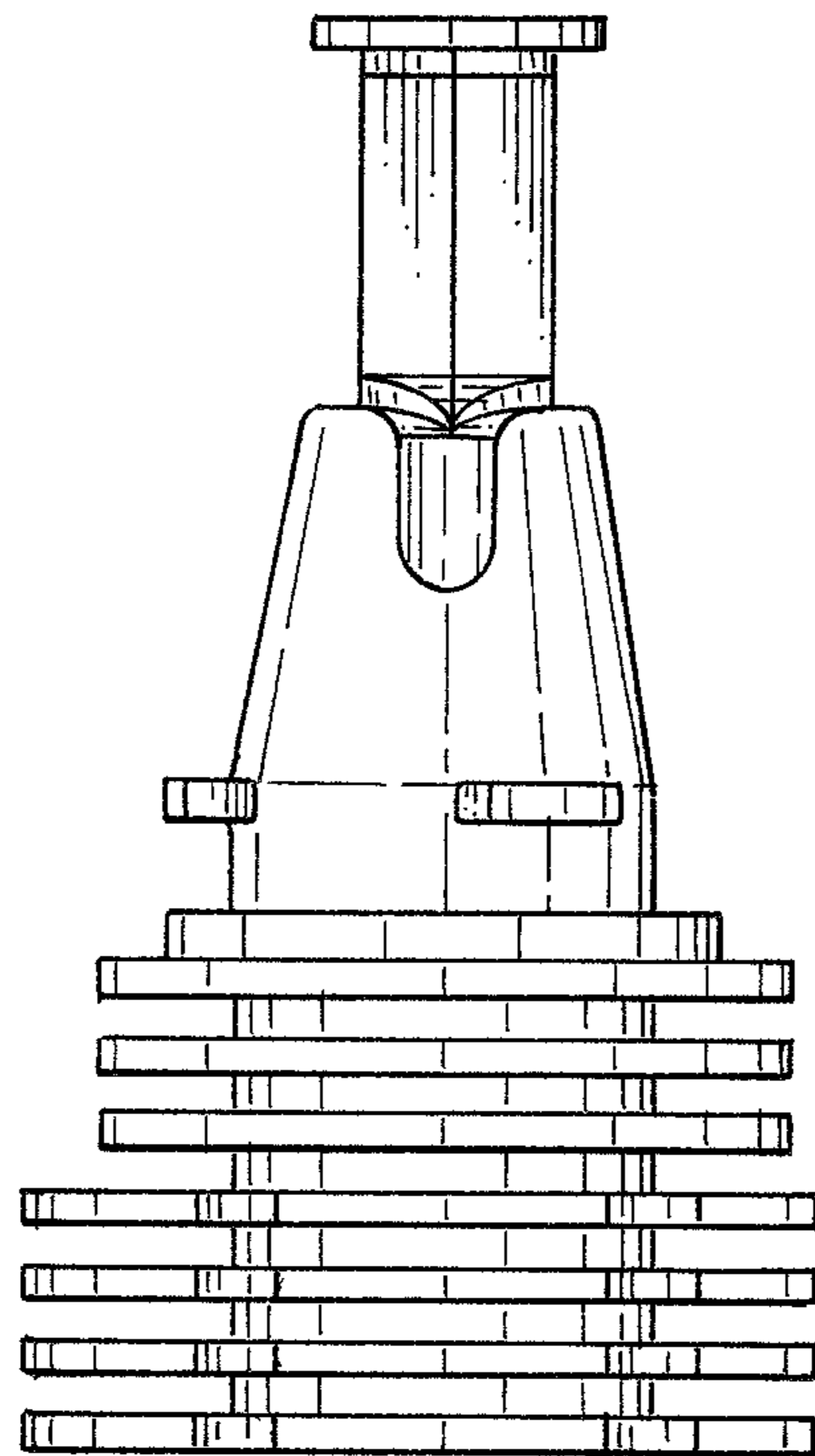
*FIG. 2*



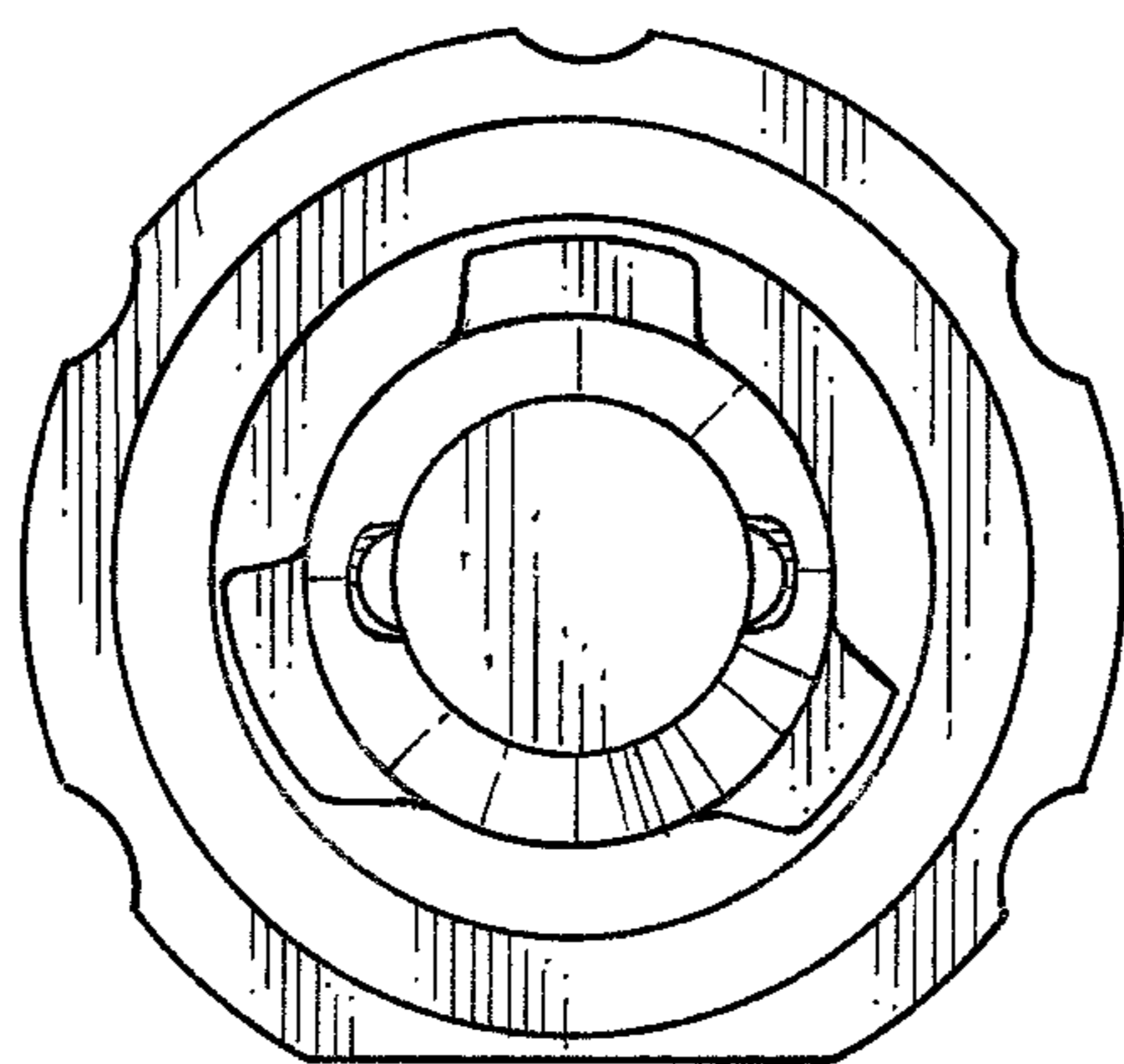
*FIG. 3*



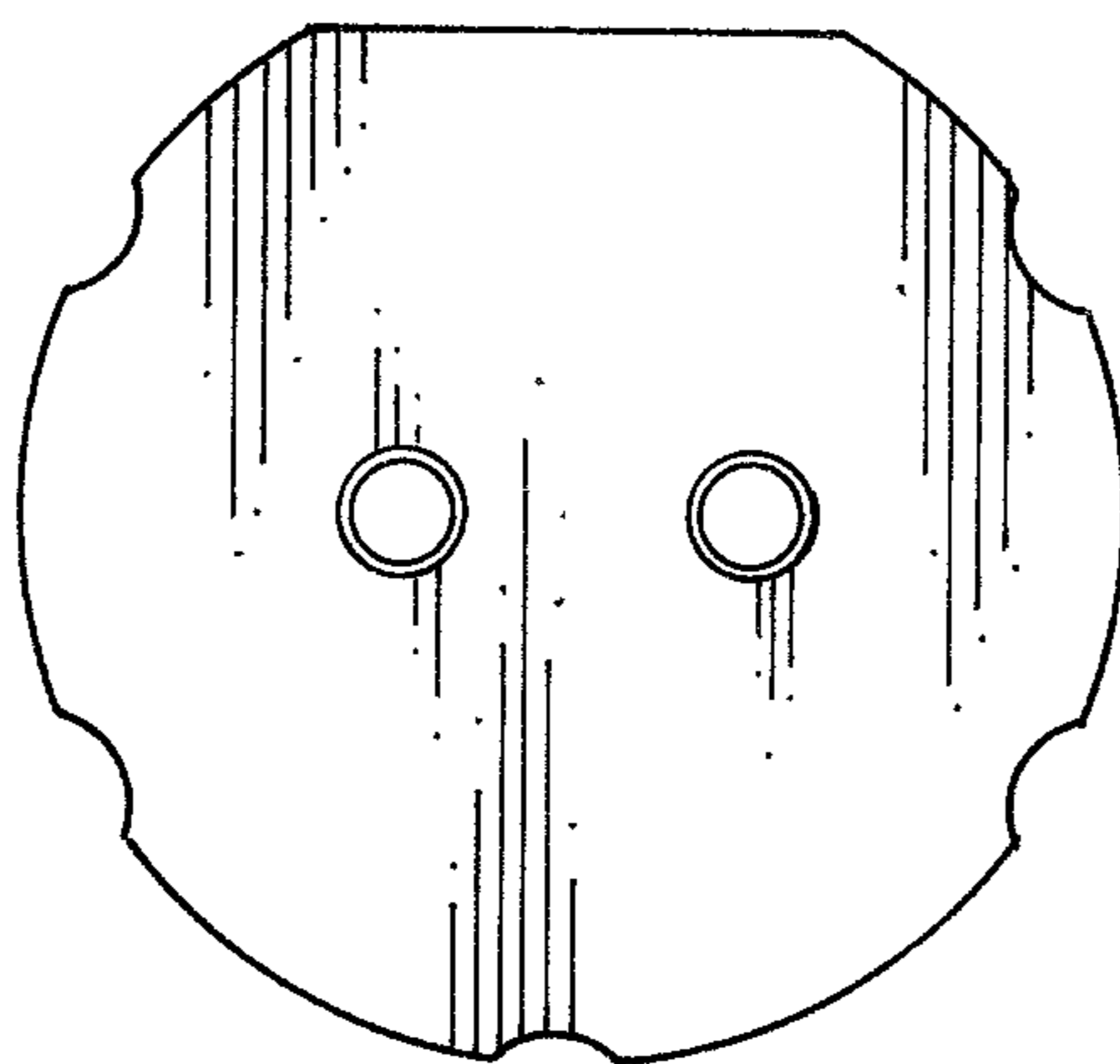
*FIG. 4*



*FIG. 5*



*FIG. 6*



*FIG. 7*